

US00D769671S

(12) **United States Design Patent**  
**Bielawski**

(10) **Patent No.:** **US D769,671 S**

(45) **Date of Patent:** **\*\* Oct. 25, 2016**

(54) **DOUBLE LID WITH STRAP**

(71) Applicant: **Whirley Industries, Inc.**, Warren, PA (US)

(72) Inventor: **Brad Bielawski**, Warren, PA (US)

(73) Assignee: **Whirley Industries, Inc.**, Warren, PA (US)

(\*\*) Term: **14 Years**

(21) Appl. No.: **29/514,348**

(22) Filed: **Jan. 12, 2015**

(51) **LOC (10) Cl.** ..... **07-01**

(52) **U.S. Cl.**  
USPC ..... **D7/392.1; D9/446**

(58) **Field of Classification Search**  
USPC ..... D7/391, 392, 392.1, 396.2, 397, 509,  
D7/510, 511, 512, 514, 620; D9/435, 436,  
D9/440, 441, 442, 446, 447, 451, 503, 504,  
D9/516, 527, 552, 643, 666, 761; 215/212,  
215/224, 329, 386, 387, 388, 392, 396;  
220/254.8, 700, 703, 705, 710.5, 711,  
220/715  
CPC ..... A47G 19/2272  
See application file for complete search history.

(56) **References Cited**

**U.S. PATENT DOCUMENTS**

1,907,994	A	5/1933	McManus	
5,310,074	A	5/1994	Jochem et al.	
6,119,888	A *	9/2000	Goto	A47J 41/0083 215/13.1
D484,061	S *	12/2003	Quinn	D7/511
6,932,234	B2	8/2005	D'Amato	
D528,910	S	9/2006	Kingsley	
D537,676	S *	3/2007	Kingsley	D7/510
D543,454	S *	5/2007	Leoncavallo	D9/449

(Continued)

**OTHER PUBLICATIONS**

“Eco Vessel Boulder Triple-Insulated Stainless Steel Water Bottle with Screw Cap”. Found online Nov. 5, 2015 at amazon.com. Page dated Aug. 28, 2011. Retrieved from [http://www.amazon.com/Eco-Vessel-Triple-Insulated-Stainless-17-Ounce/dp/B005EGY42K/ref=cm\\_cr\\_pr\\_product\\_top?ie=UTF8](http://www.amazon.com/Eco-Vessel-Triple-Insulated-Stainless-17-Ounce/dp/B005EGY42K/ref=cm_cr_pr_product_top?ie=UTF8).\*

*Primary Examiner* — Robert M Spear

*Assistant Examiner* — Kendra L Hamilton

(74) *Attorney, Agent, or Firm* — Buchanan Ingersoll & Rooney PC

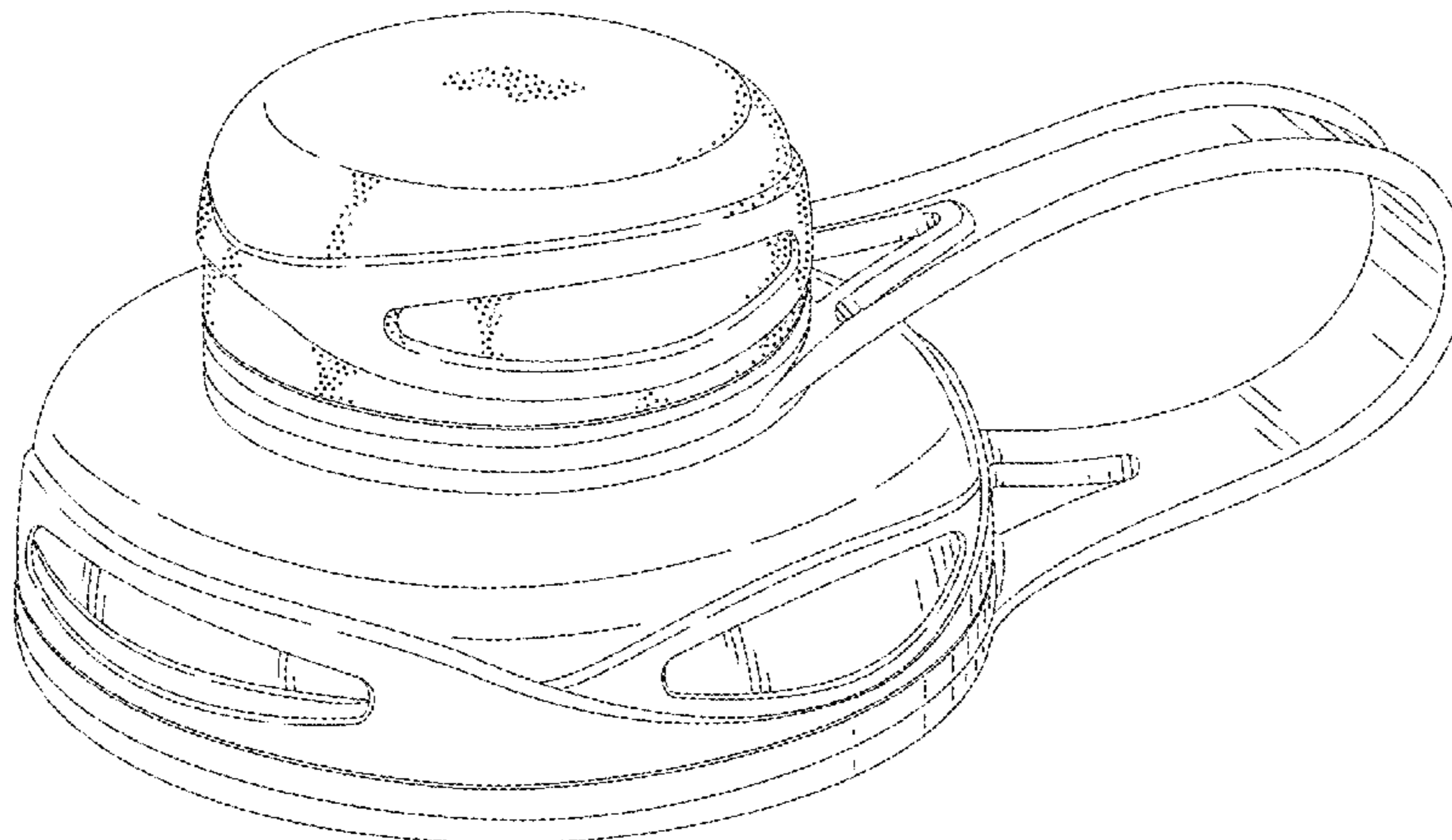
(57) **CLAIM**

The ornamental design for a double lid with strap, as shown and described.

**DESCRIPTION**

FIG. 1 shows a perspective view of a double lid with strap of the invention, in a “closed” position;  
FIG. 2 shows a perspective view of a double lid with strap, in an “open” position;  
FIG. 3 shows a side view of a double lid with strap in a closed position;  
FIG. 4 shows a side view of a double lid with strap in an open position;  
FIG. 5 shows a front view of a double lid with strap in a closed position;  
FIG. 6 shows a rear view of a double lid with strap in a closed position;  
FIG. 7 shows a top view of a double lid with strap in a closed position;  
FIG. 8 shows a bottom view of a double lid with strap in a closed position;  
FIG. 9 shows a top view of a double lid with strap in an open position;  
FIG. 10 shows a bottom view of a double lid with strap in an open position; and,  
FIG. 11 is a top right perspective view thereof, shown with an unclaimed container.  
The broken lines in the drawings represent unclaimed environmental subject matter and form no part of the claim.

**1 Claim, 11 Drawing Sheets**



**US D769,671 S**

Page 2

(56)

**References Cited**

U.S. PATENT DOCUMENTS

D605,942 S 12/2009 Miksovsky  
D619,001 S \* 7/2010 McKinney ..... D9/446  
7,891,511 B2 2/2011 Mavin et al.  
D658,446 S \* 5/2012 George ..... D7/511  
D660,648 S \* 5/2012 Gilbert ..... D7/510

8,752,720 B1 \* 6/2014 Habig ..... B65D 55/16  
215/306  
D714,584 S \* 10/2014 Boroski ..... D7/392  
D741,176 S \* 10/2015 Bell ..... D9/446  
2008/0087624 A1 \* 4/2008 Buckley ..... A47G 23/16  
215/230  
2011/0278216 A1 \* 11/2011 Hull ..... A47G 19/2266  
210/236

\* cited by examiner

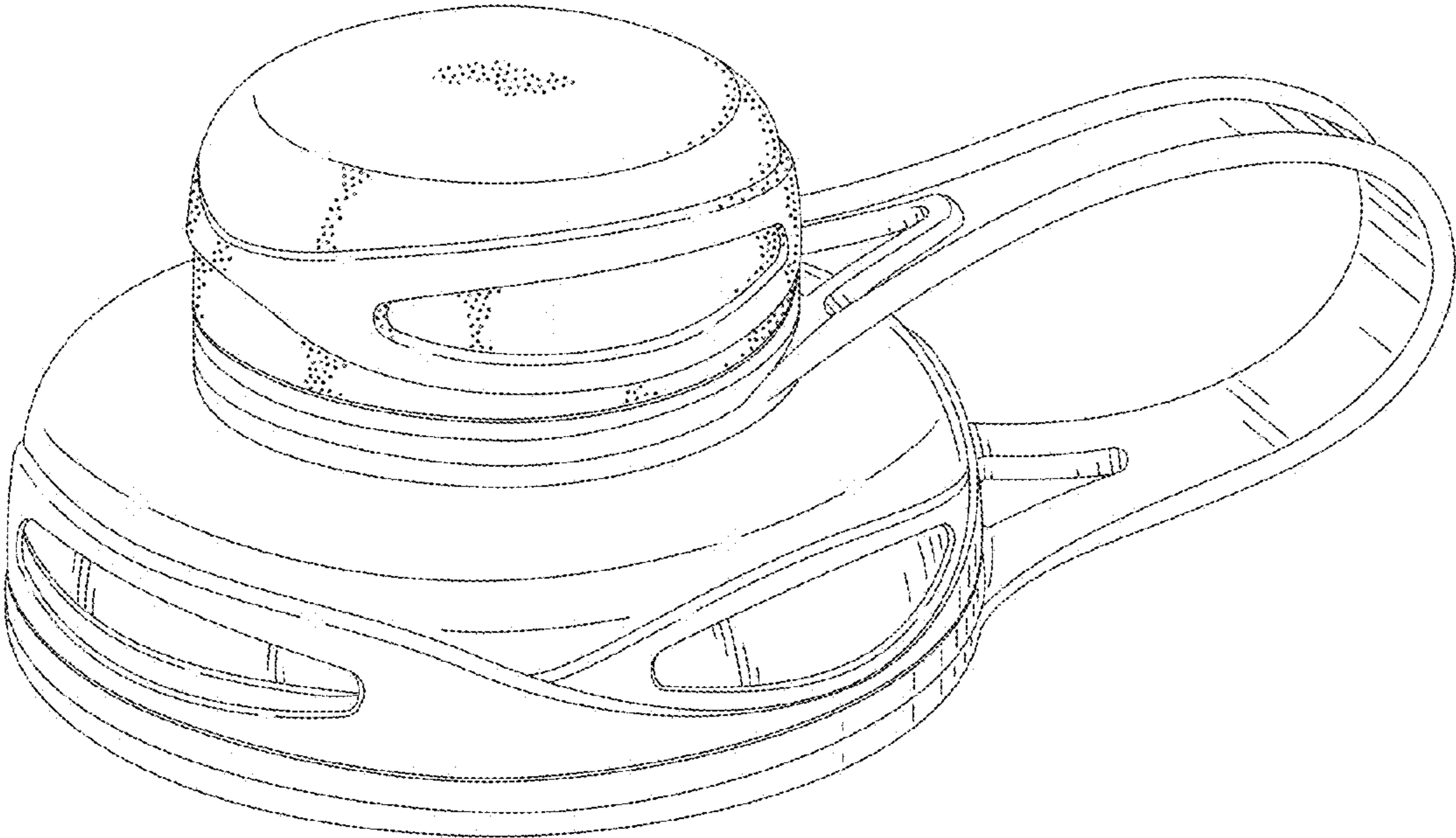


FIG. 1

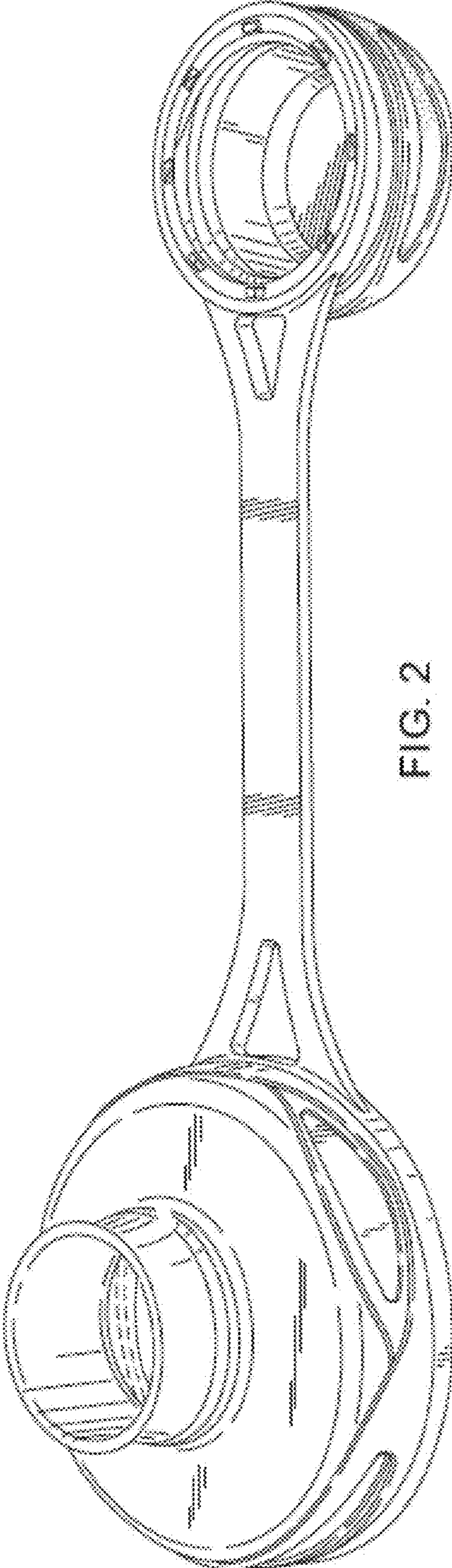


FIG. 2

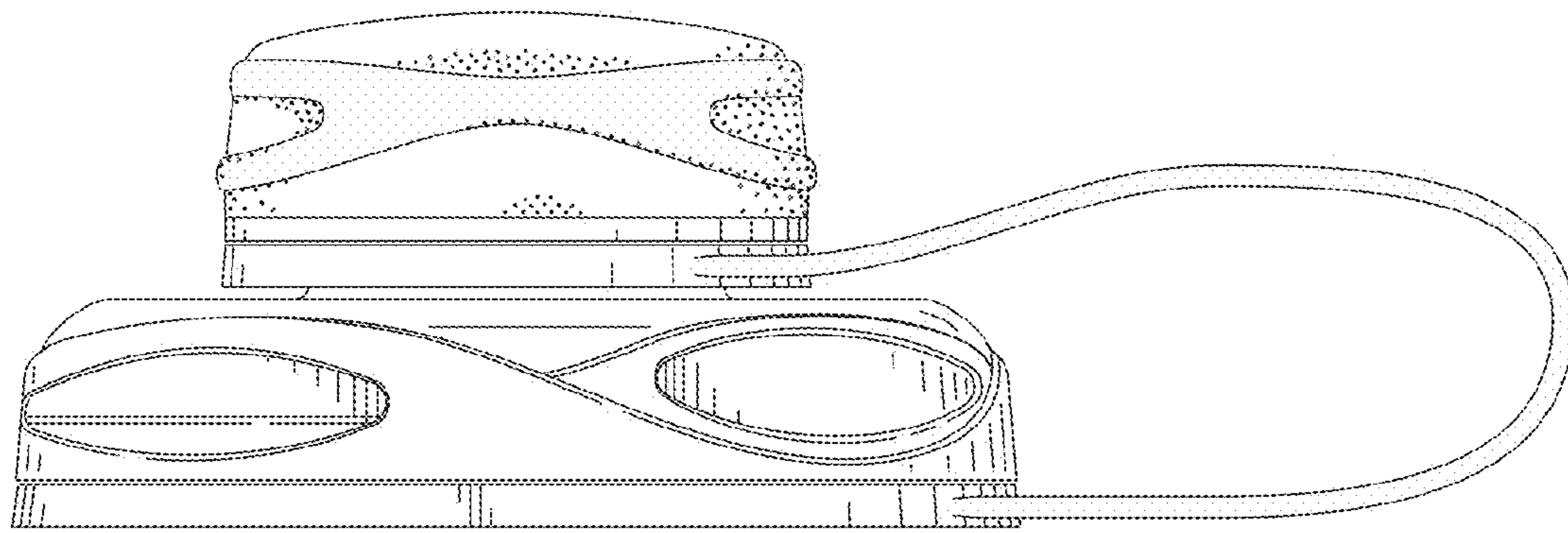
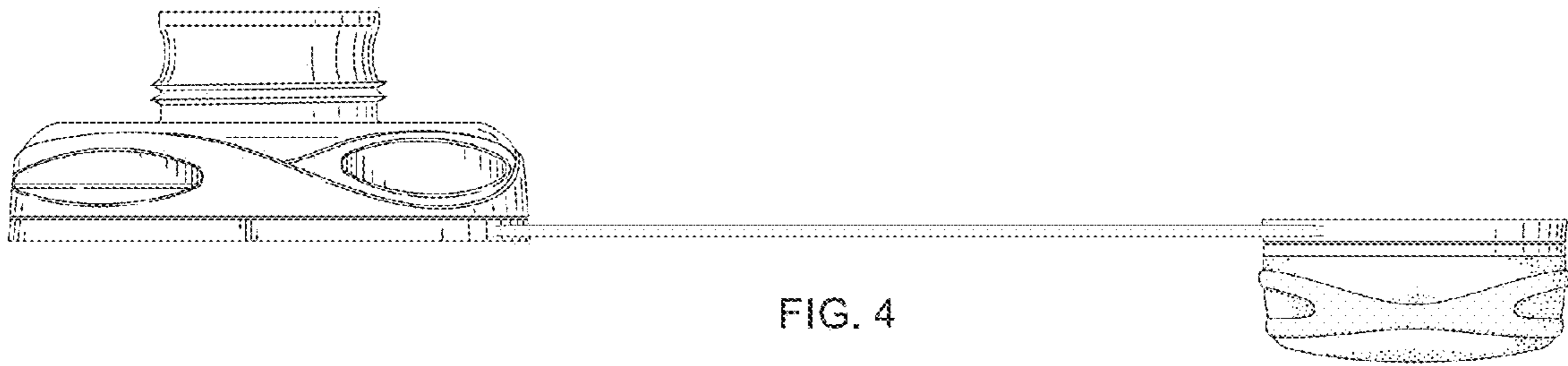


FIG. 3



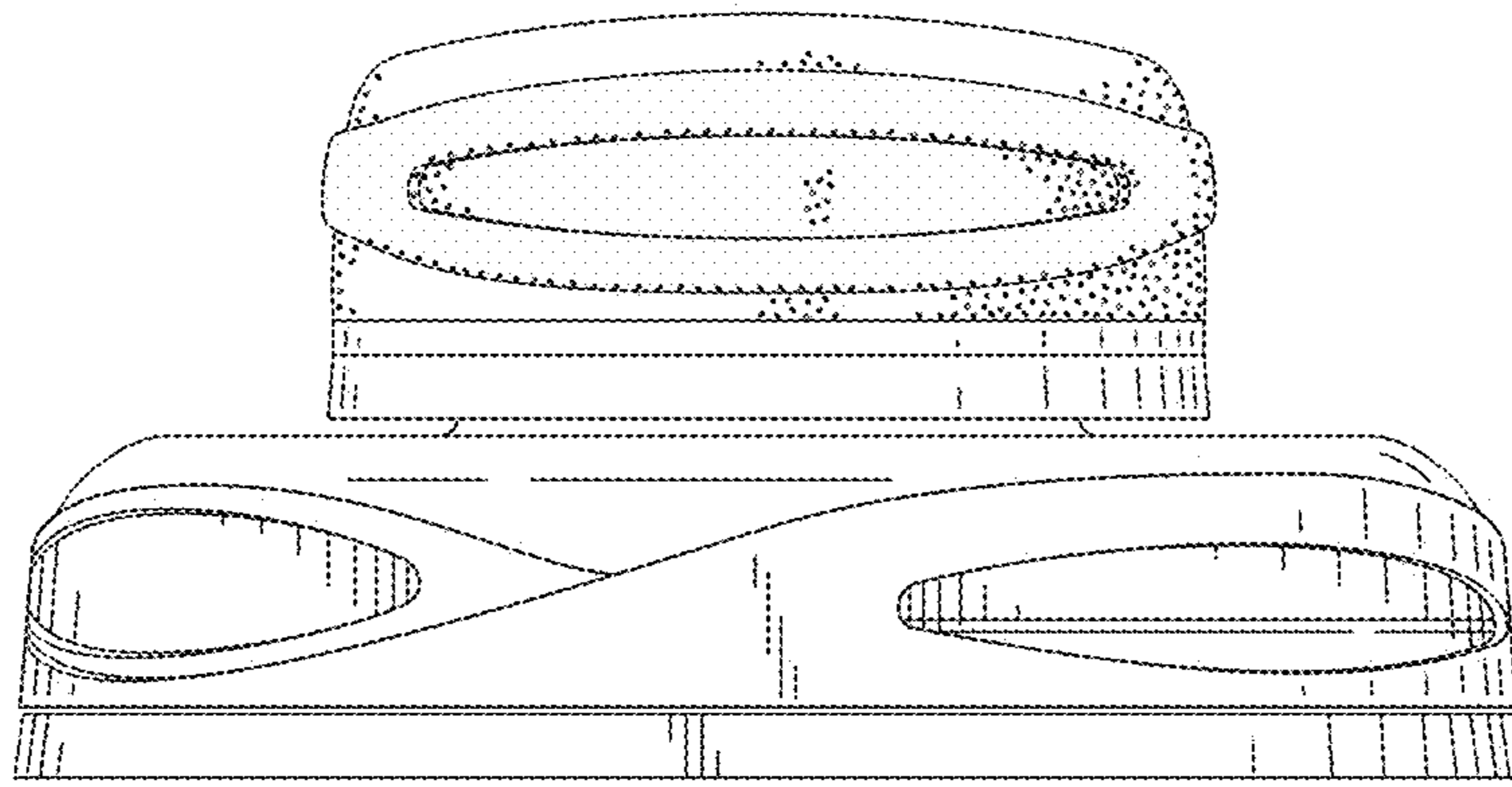


FIG. 5

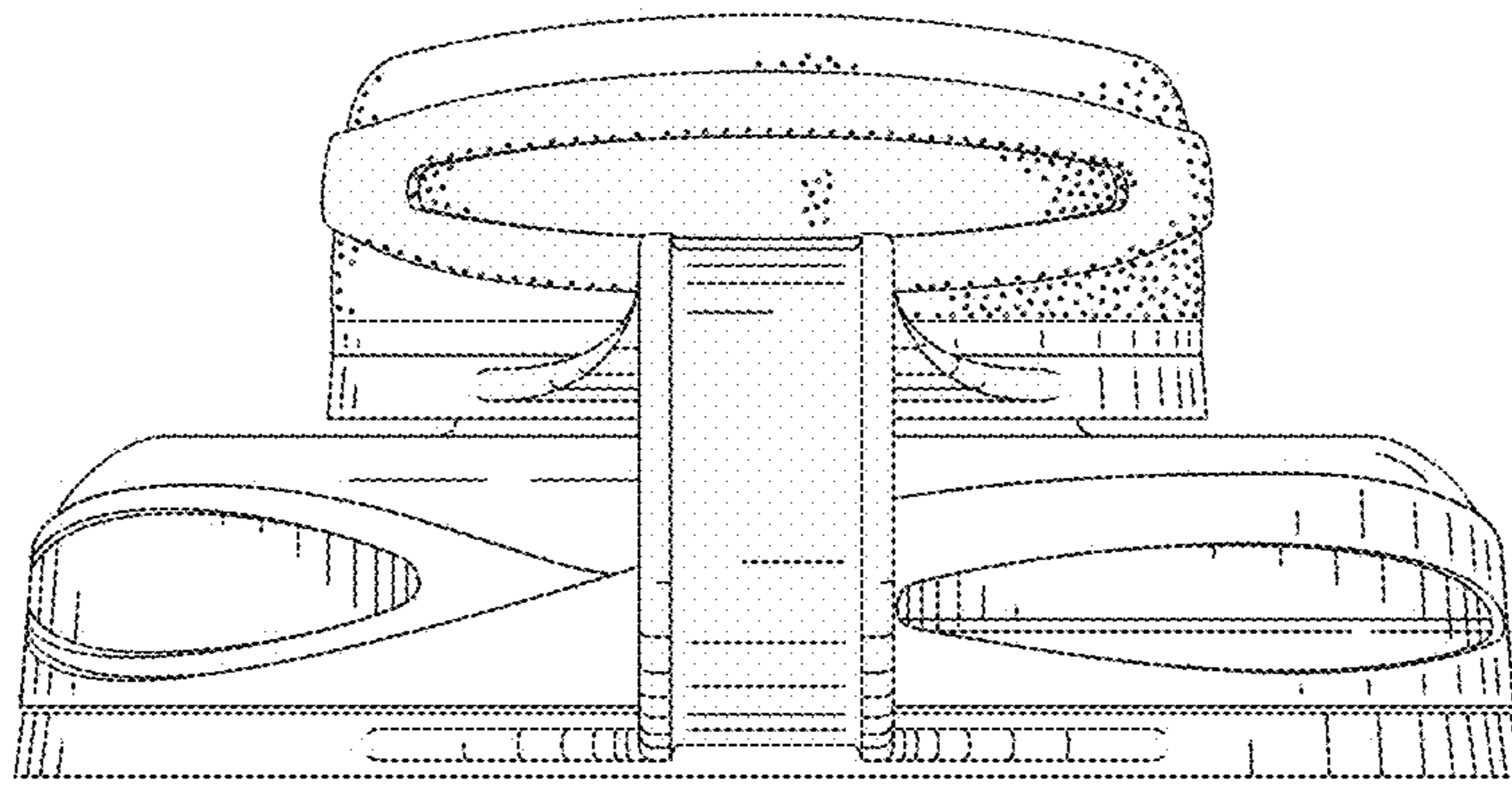
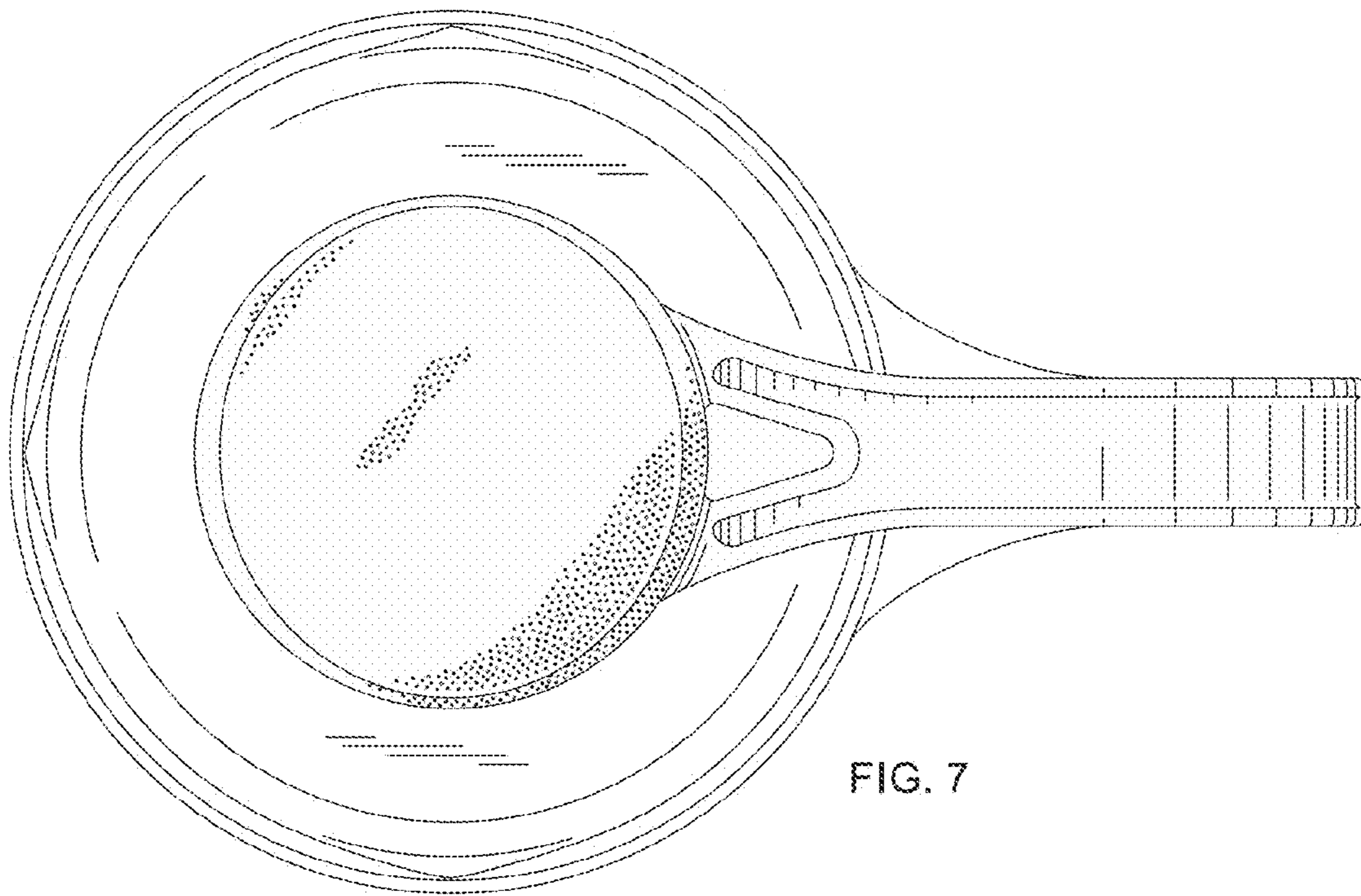


FIG. 6





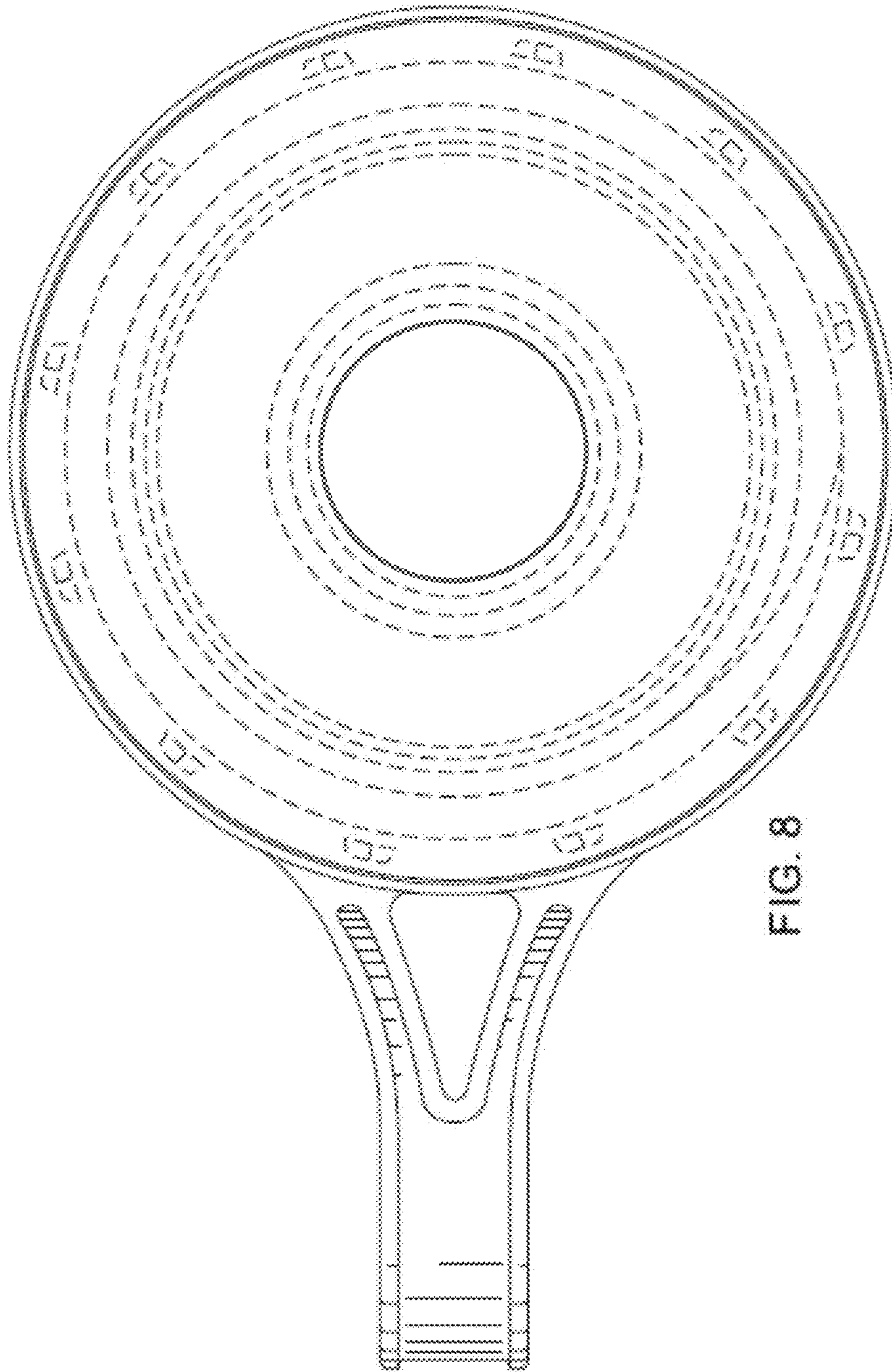


FIG. 8

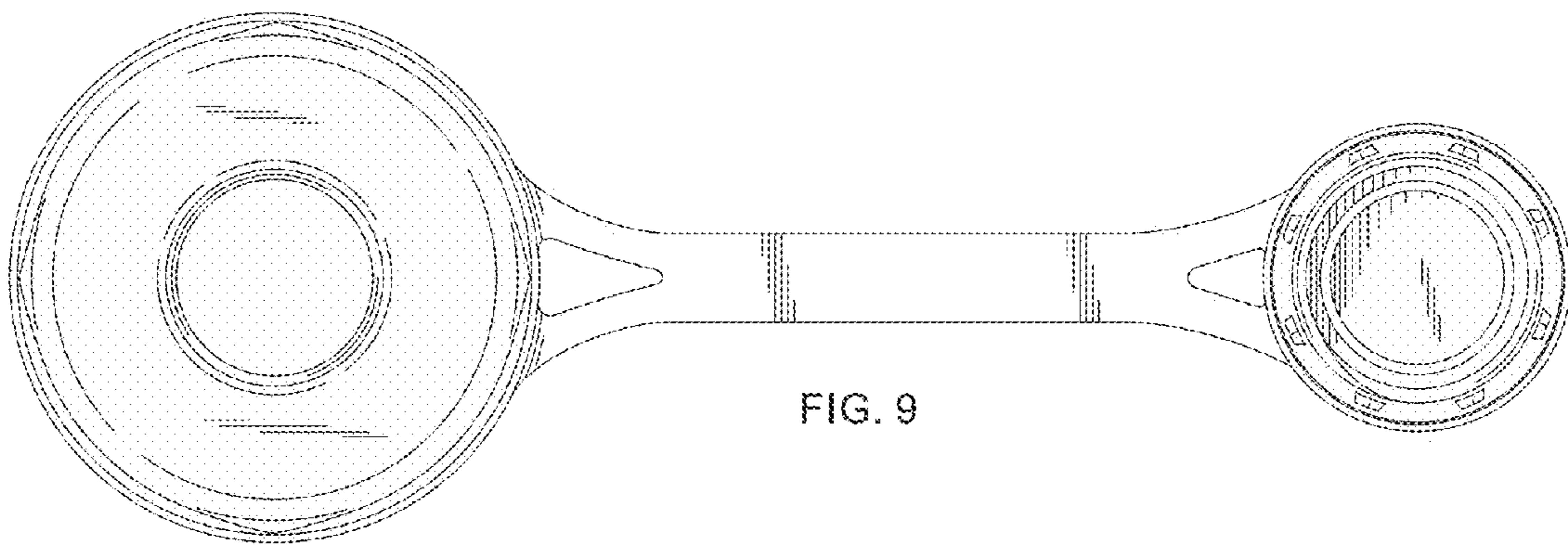


FIG. 9

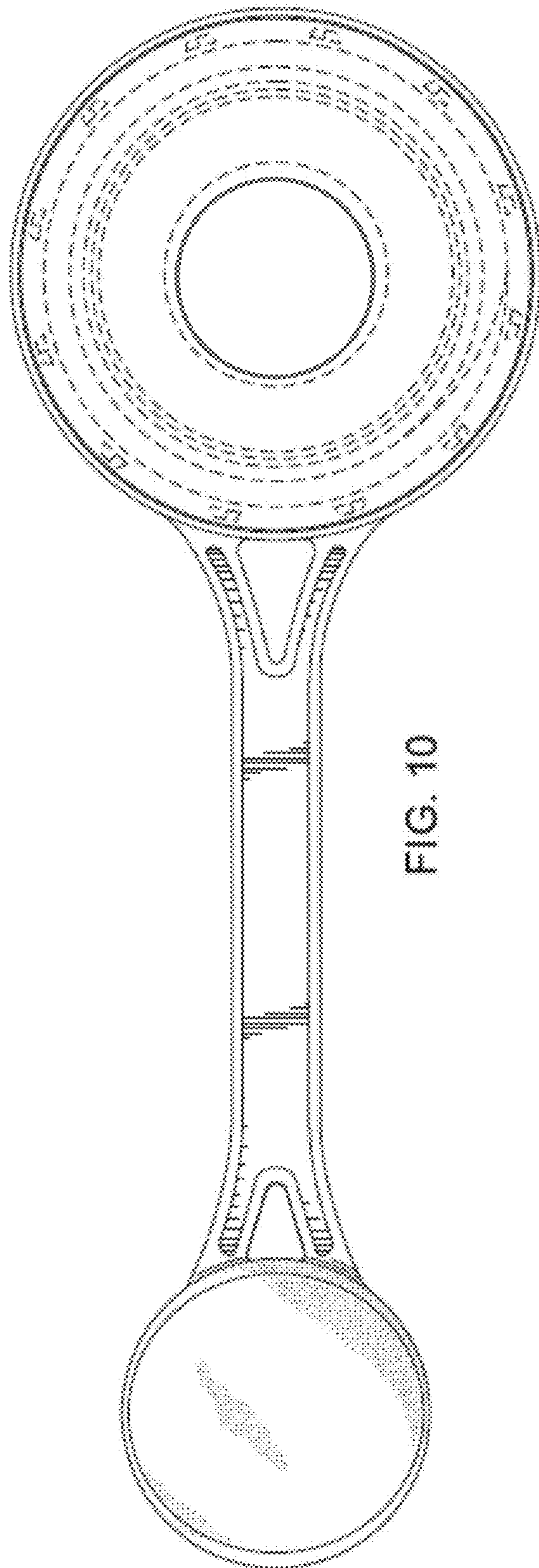


FIG. 10

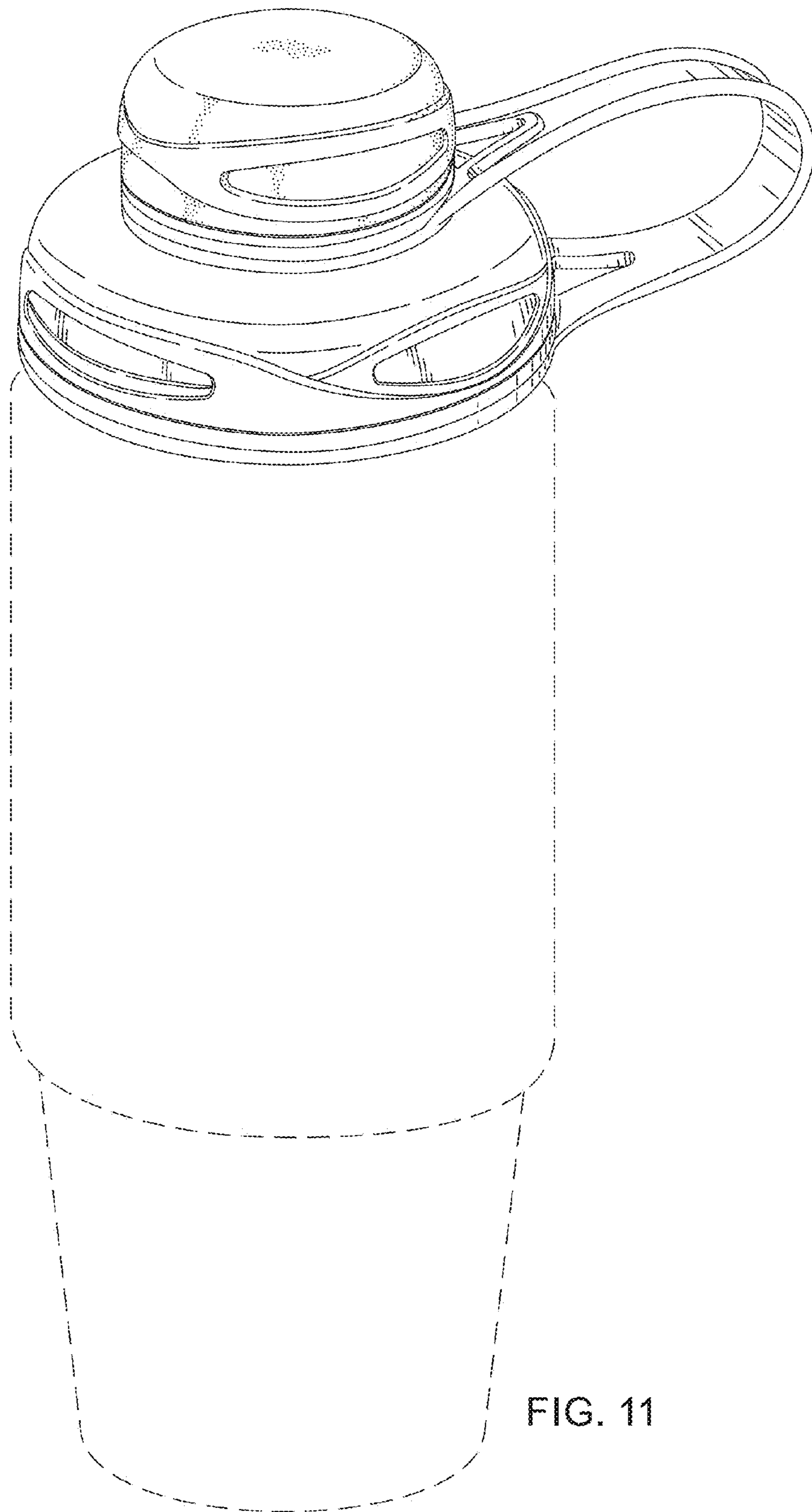


FIG. 11