



US00D769670S

(12) **United States Design Patent**  
**Smith et al.**

(10) **Patent No.:** **US D769,670 S**

(45) **Date of Patent:** **\*\* Oct. 25, 2016**

(54) **FOOD SLICER**

(71) Applicant: **Smith's Consumer Products, Inc.**, Hot Springs, AR (US)

(72) Inventors: **Richard S Smith**, Hot Springs, AR (US); **Louis Chalfant**, Hot Springs, AR (US)

(73) Assignee: **Smith's Consumer Products, Inc.**, Hot Springs, AR (US)

(\*\*) Term: **14 Years**

(21) Appl. No.: **29/518,384**

(22) Filed: **Feb. 23, 2015**

(51) **LOC (10) Cl.** ..... **31-00**

(52) **U.S. Cl.**  
USPC ..... **D7/381**

(58) **Field of Classification Search**  
USPC ..... D7/359, 376-386, 412, 673-674, 693  
CPC ..... B26D 1/14; B26D 1/143; B26D 1/15;  
B26D 1/153; B26D 1/157; B26D 1/18;  
B26D 1/28; B26D 1/547; B26D 3/26; B26D  
3/185; B26D 5/00; B26D 5/06; B26D 5/08;  
B26D 5/10; B26D 5/12; B26D 5/22; B26D  
5/26; B26D 5/38; B26D 5/42; B26D 7/00;  
B26D 7/01; B26D 7/08; B26D 7/12; B26D  
7/18; B26D 7/1818; B26D 7/22; B26D  
7/225; B26D 7/24; B26D 7/26; B26D  
7/2614; B26D 7/2621; B26D 7/2628; B26D  
7/2635; B26D 7/30; B26D 7/32; B26D  
7/325; B27G 13/00; B27G 13/005; B27G  
13/10

See application file for complete search history.

(56) **References Cited**

**U.S. PATENT DOCUMENTS**

2,824,588 A \* 2/1958 Lyon ..... B26D 3/26  
30/114  
D207,378 S \* 4/1967 Levin ..... D7/693  
D251,653 S \* 4/1979 Mason, Jr. .... D7/359

D399,711 S \* 10/1998 Cohen ..... D7/673  
D436,504 S \* 1/2001 Demers ..... D7/673  
D510,507 S \* 10/2005 Lo ..... D7/673  
D573,418 S \* 7/2008 Ho ..... D7/673  
D598,718 S \* 8/2009 Bellah ..... D7/666  
D664,013 S \* 7/2012 Nguyen ..... D7/674  
D675,486 S \* 2/2013 Fukai ..... D7/673  
8,863,391 B2 \* 10/2014 Bagley ..... B26D 1/547  
30/114  
9,174,352 B2 \* 11/2015 Repac ..... B26D 3/185  
D744,299 S \* 12/2015 Lipscomb ..... D7/674

\* cited by examiner

*Primary Examiner* — Ricky Pham

(57) **CLAIM**

The design for the food slicer, as shown and described.

**DESCRIPTION**

FIG. 1 is a front perspective view of the design for a food slicer of the invention;

FIG. 2 is a front elevational view food slicer of FIG. 1;

FIG. 3 is a rear elevational view of the food slicer of FIG. 1;

FIG. 4 is a side elevational view of the food slicer of FIG. 1;

FIG. 5 is a opposite side elevational view of the food slicer of FIG. 1;

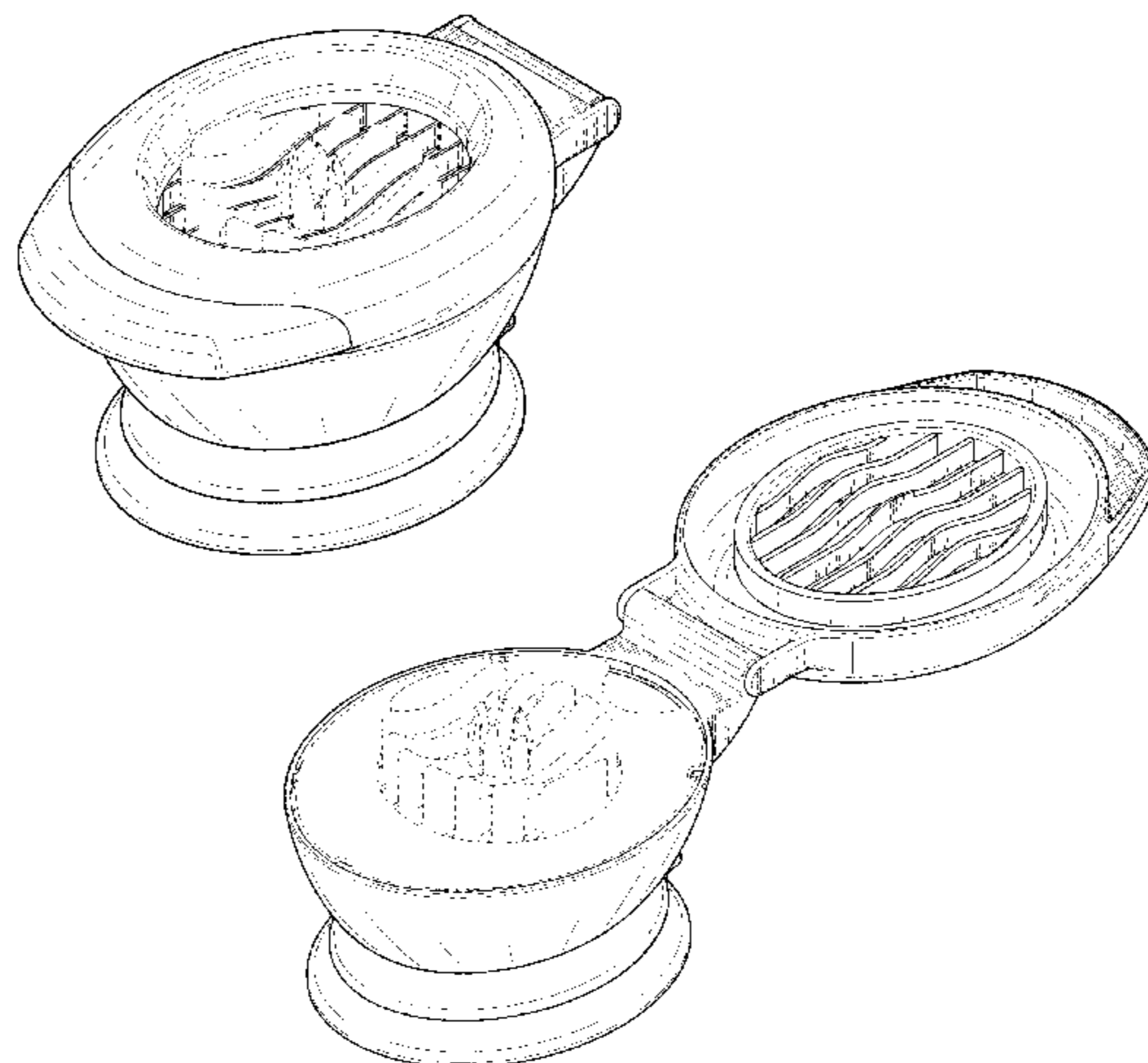
FIG. 6 is a top plan view of the food slicer of FIG. 1;

FIG. 7 is a bottom plan view of food slicer of FIG. 1; and,

FIG. 8 is a front perspective view of the food slicer of FIG. 1 with the lid open.

The broken lines in the figures illustrate portions of the food slicer of the invention that form no part of the claim.

**1 Claim, 5 Drawing Sheets**



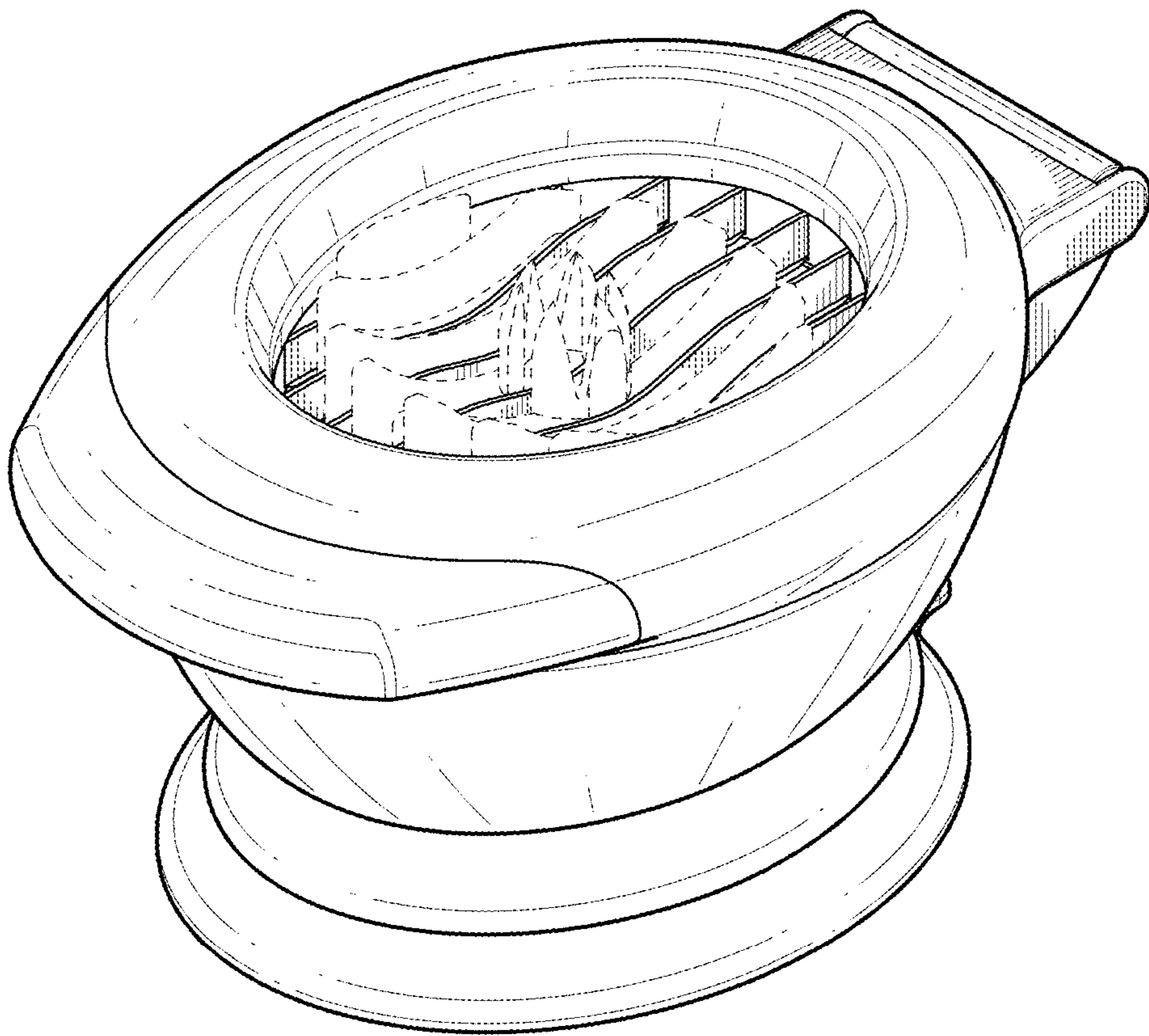


FIG. 1

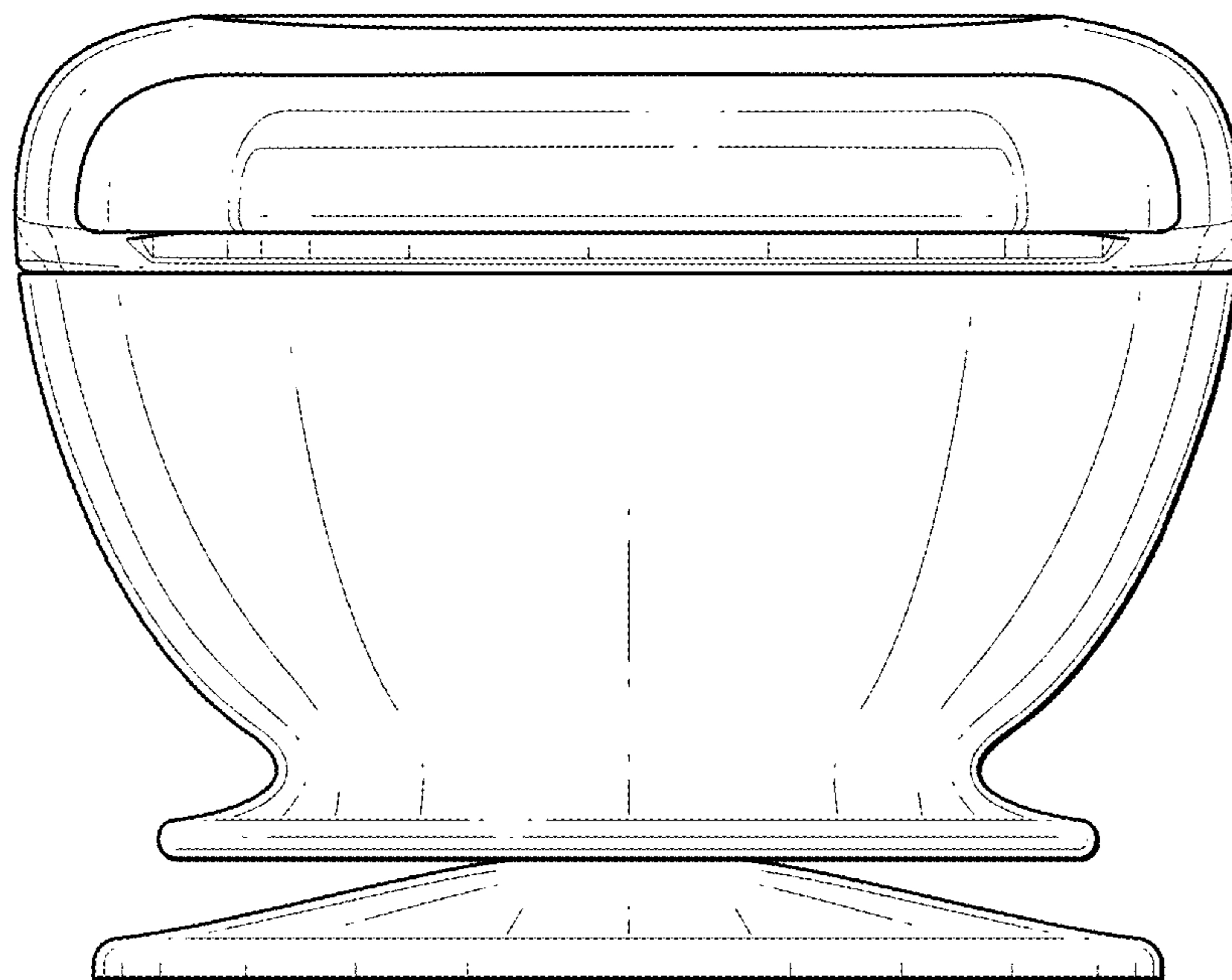


FIG. 2

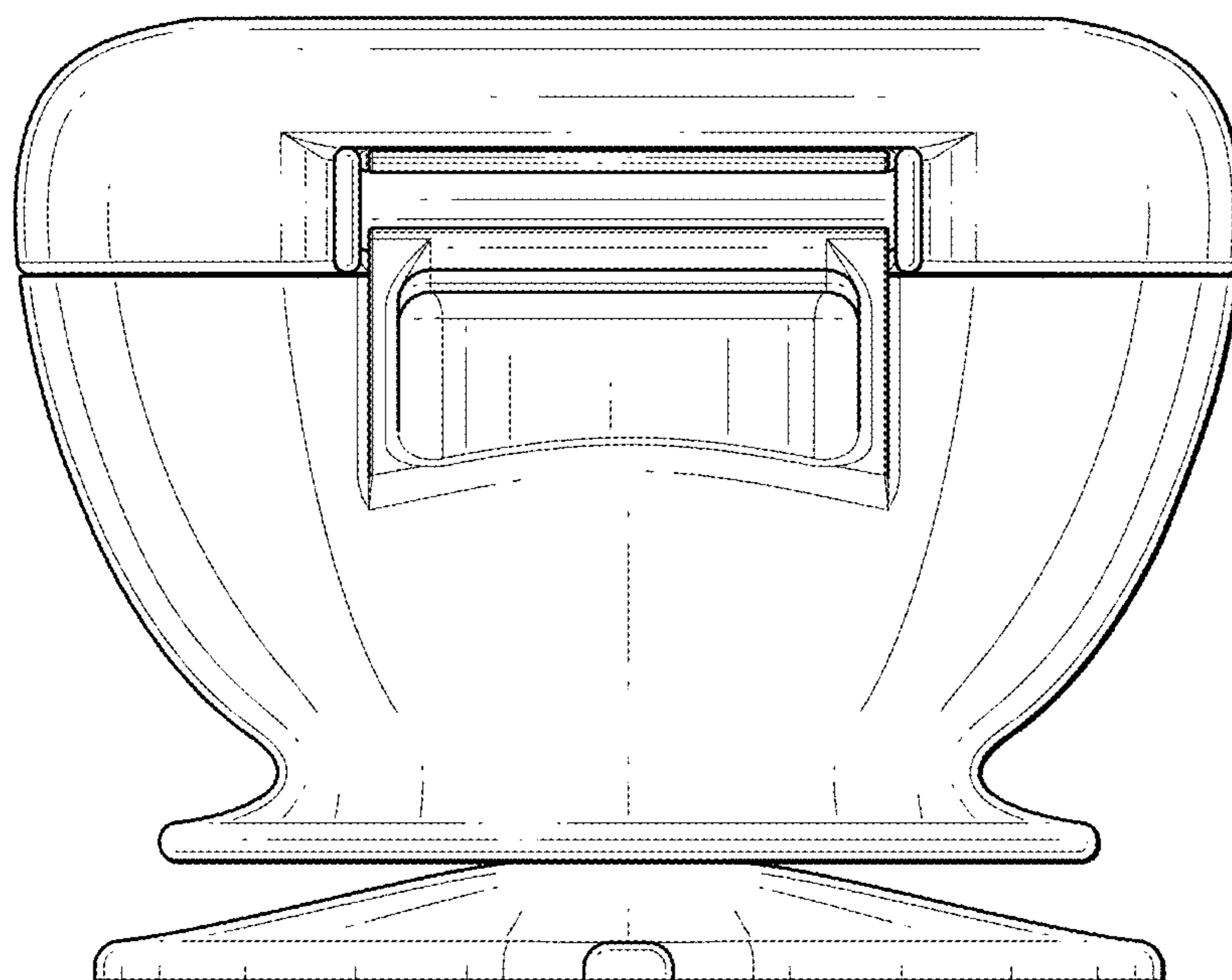


FIG. 3

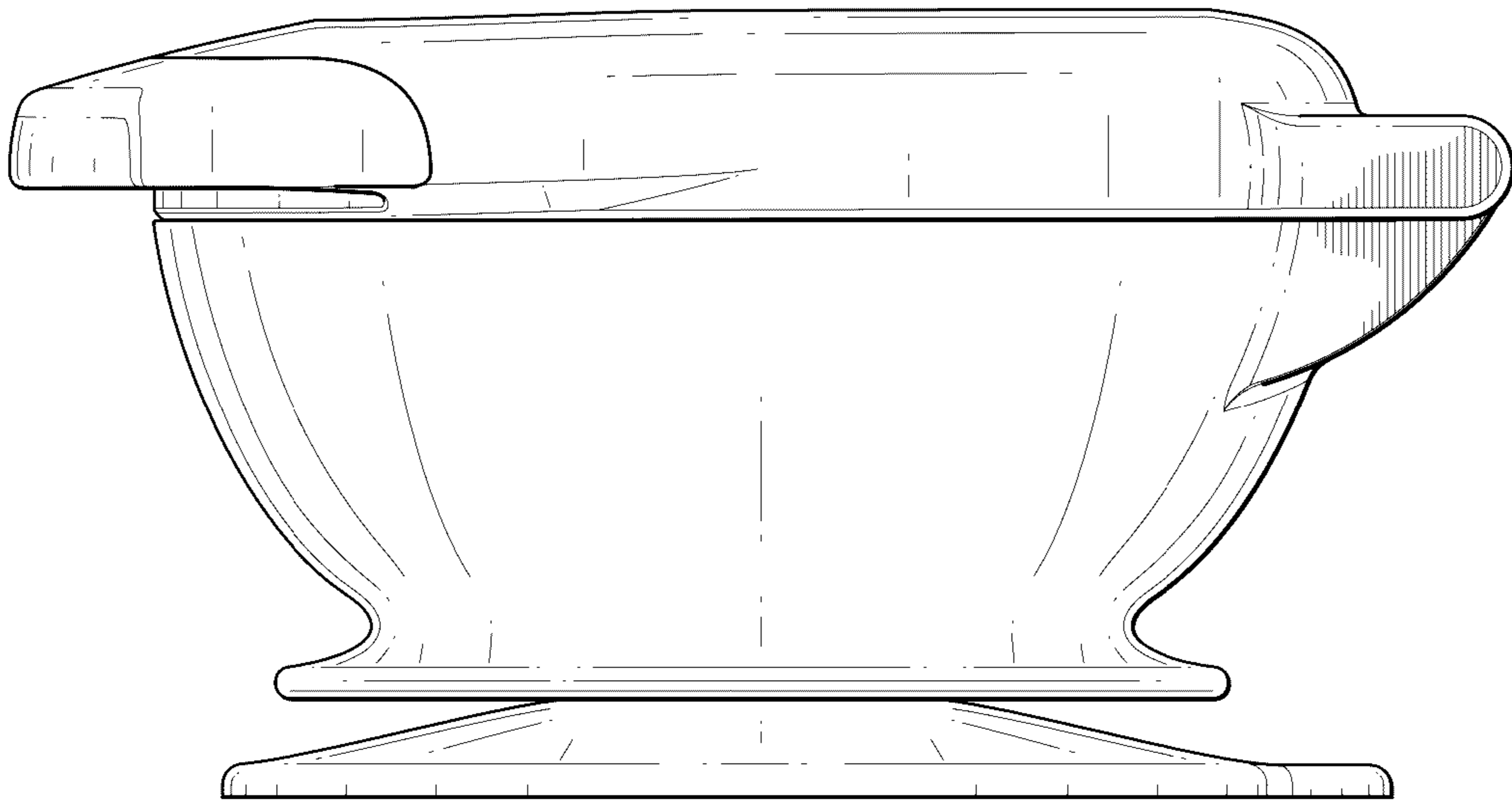


FIG. 4

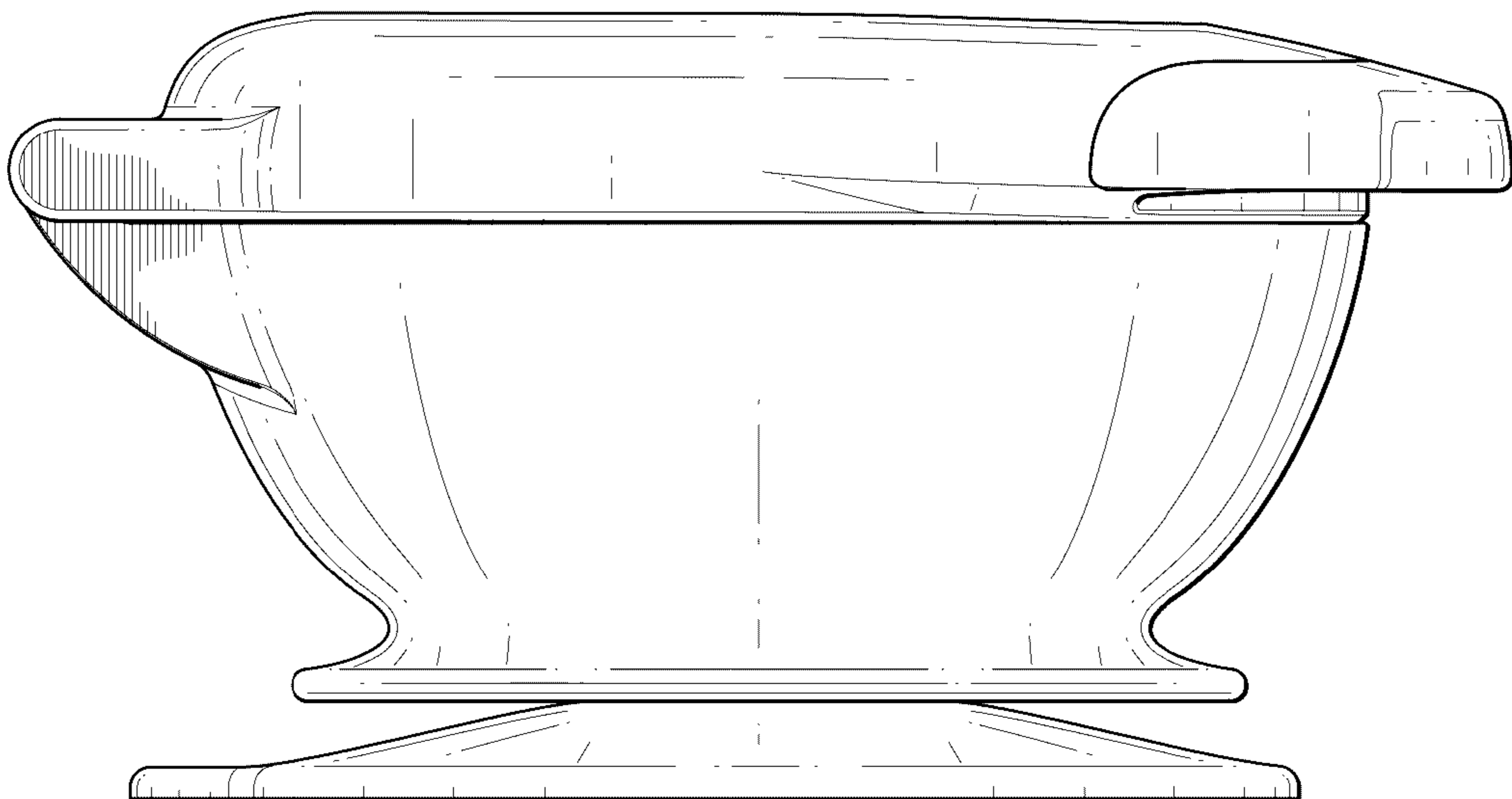


FIG. 5

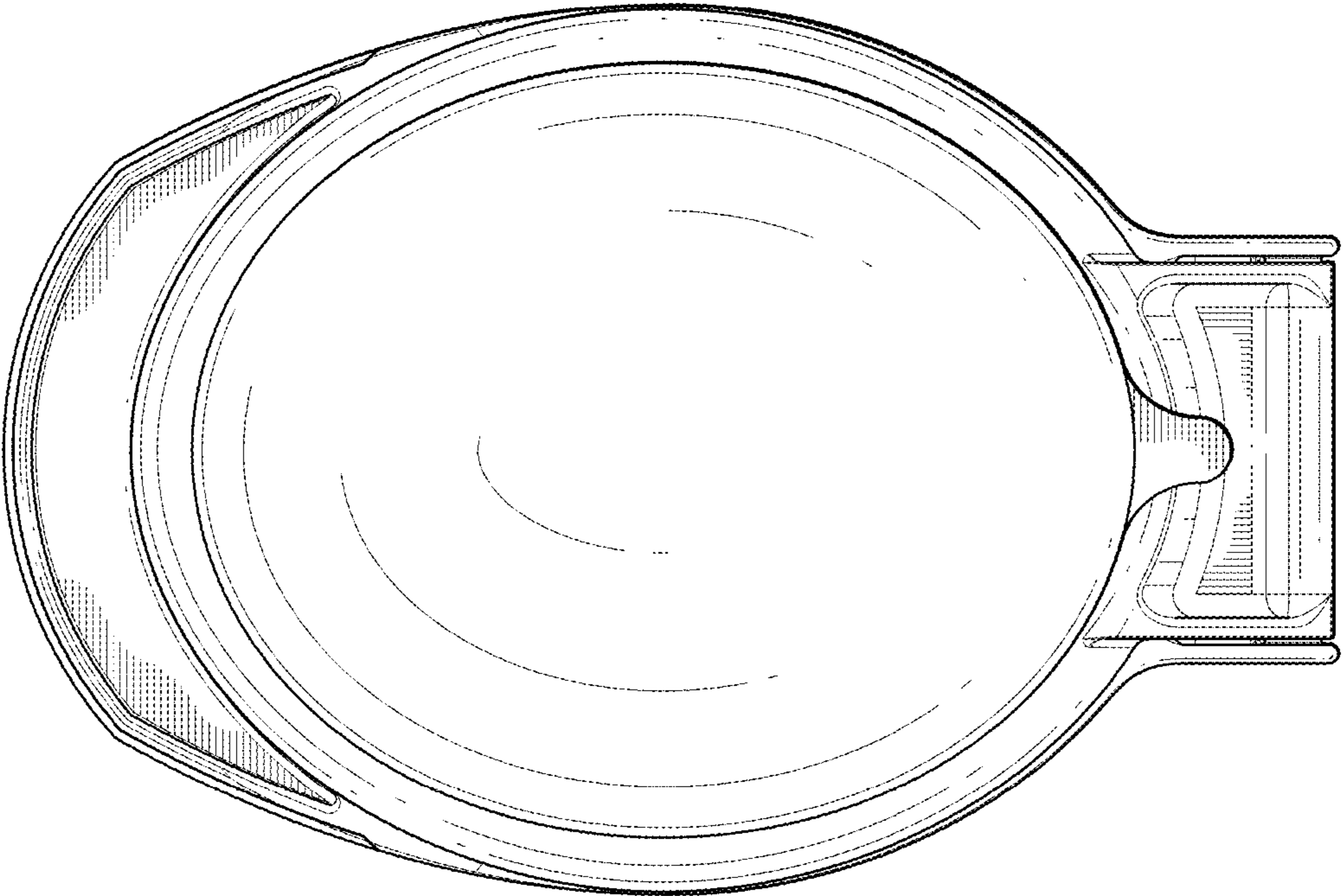


FIG. 7

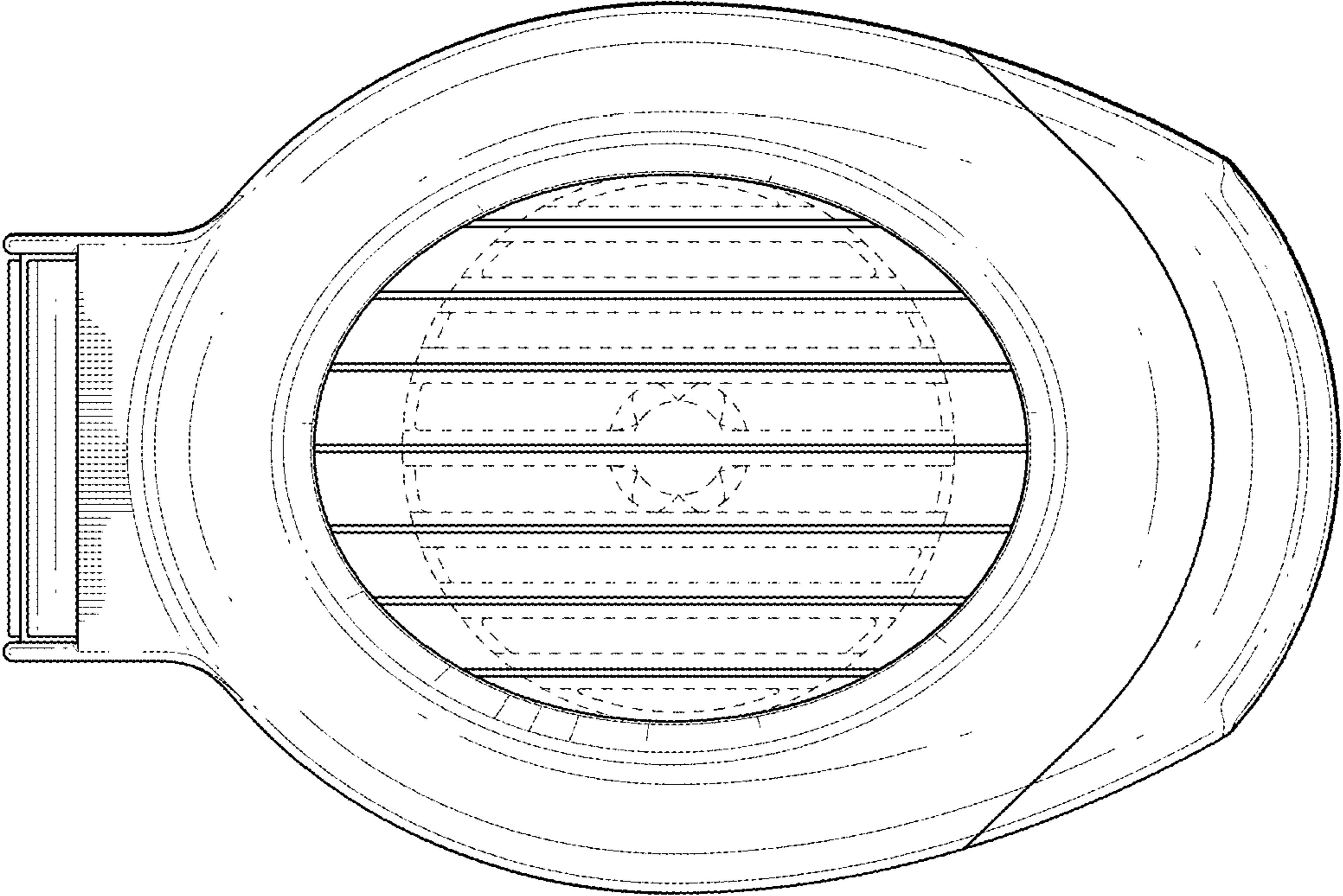


FIG. 6

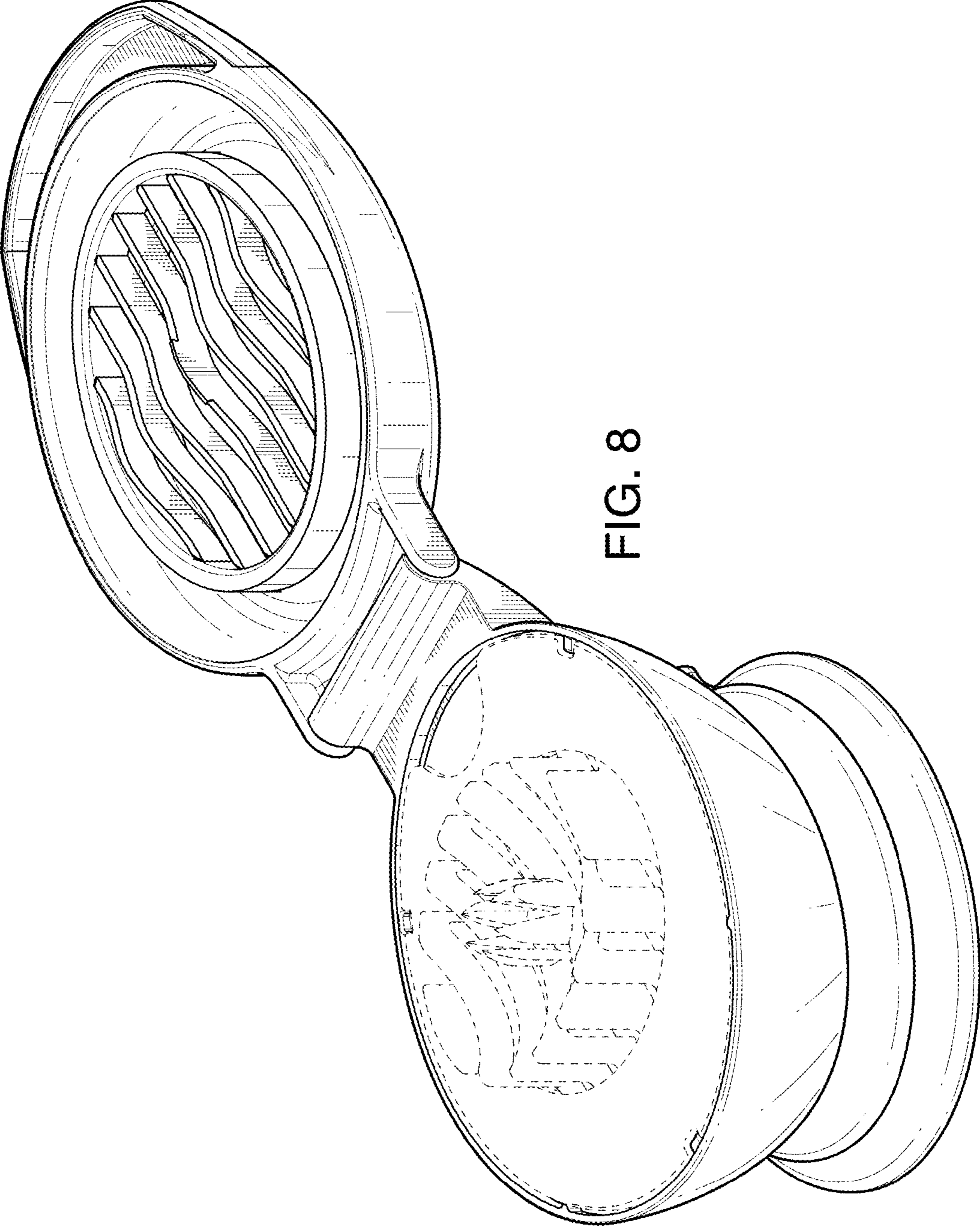


FIG. 8