



US00D769669S

(12) **United States Design Patent**
Kim et al.

(10) **Patent No.:** **US D769,669 S**

(45) **Date of Patent:** **** Oct. 25, 2016**

(54) **MICROWAVE OVEN**

(56) **References Cited**

(71) Applicant: **LG Electronics Inc.**, Seoul (KR)

U.S. PATENT DOCUMENTS

(72) Inventors: **Soo Yeon Kim**, Seoul (KR); **Mi Young Kim**, Seoul (KR); **Yoon Sang Kim**, Seoul (KR); **Song Yi Han**, Seoul (KR)

D266,051 S *	9/1982	Wolfe	D7/351
D303,749 S *	10/1989	Steinkamp	D7/351
D329,164 S *	9/1992	Edman	D7/351
D428,761 S *	8/2000	Noda	D7/351
D531,447 S *	11/2006	Lee	D7/350.4
D532,645 S *	11/2006	Lee	D7/351
D560,423 S *	1/2008	Kim	D7/351
D633,329 S *	3/2011	Baek	D7/351
D634,576 S *	3/2011	Baek	D7/351
D673,418 S *	1/2013	Lee	D7/351
D700,470 S *	3/2014	Kim	D7/351
D705,008 S *	5/2014	Shin	D7/405

(73) Assignee: **LG Electronics Inc.**, Seoul (KR)

(**) Term: **14 Years**

(21) Appl. No.: **29/521,164**

* cited by examiner

(22) Filed: **Mar. 20, 2015**

(30) **Foreign Application Priority Data**

Primary Examiner — Cynthia M Chin

Sep. 25, 2014 (KR) 30-2014-0046465

(74) *Attorney, Agent, or Firm* — Morgan, Lewis & Bockius LLP

(51) **LOC (10) Cl.** **07-02**

(57) **CLAIM**

(52) **U.S. Cl.**

We claim the ornamental design for a microwave oven, as shown and described.

USPC **D7/351**

DESCRIPTION

(58) **Field of Classification Search**

USPC D7/332-351, 362-367, 402-409;
219/756, 702; 426/234
CPC F24C 15/10; F24C 7/083; F24C 15/107;
F24C 3/08-3/12; F24C 15/023; F24C 15/322;
F24C 15/325; F24C 15/327; F24C 7/08;
F24C 15/048; H05B 6/062; H05B 1/0266;
H05B 6/763; H05B 6/6414; H05B 6/6417;
F23D 14/06; F23D 2900/14062; F23D
14/105; F23D 14/045; A47J 37/0713

See application file for complete search history.

FIG. 1 is a perspective view of a microwave oven showing our new design;
FIG. 2 is a front elevation view thereof;
FIG. 3 is a rear elevation view thereof;
FIG. 4 is a left-side elevation view thereof;
FIG. 5 is a right-side elevation view thereof;
FIG. 6 is a top plan view thereof; and,
FIG. 7 is a bottom plan view thereof.

1 Claim, 4 Drawing Sheets

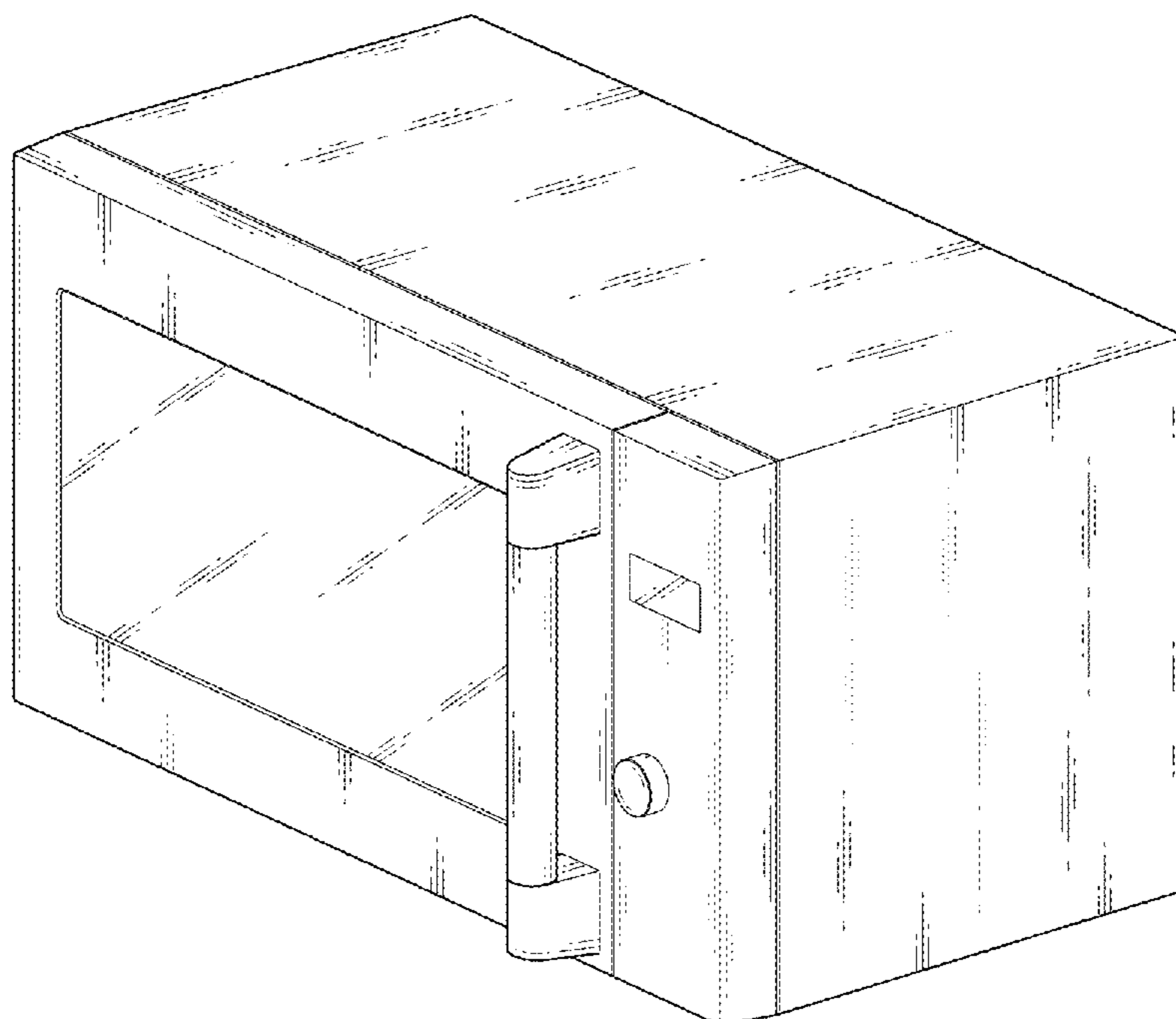


FIG. 1

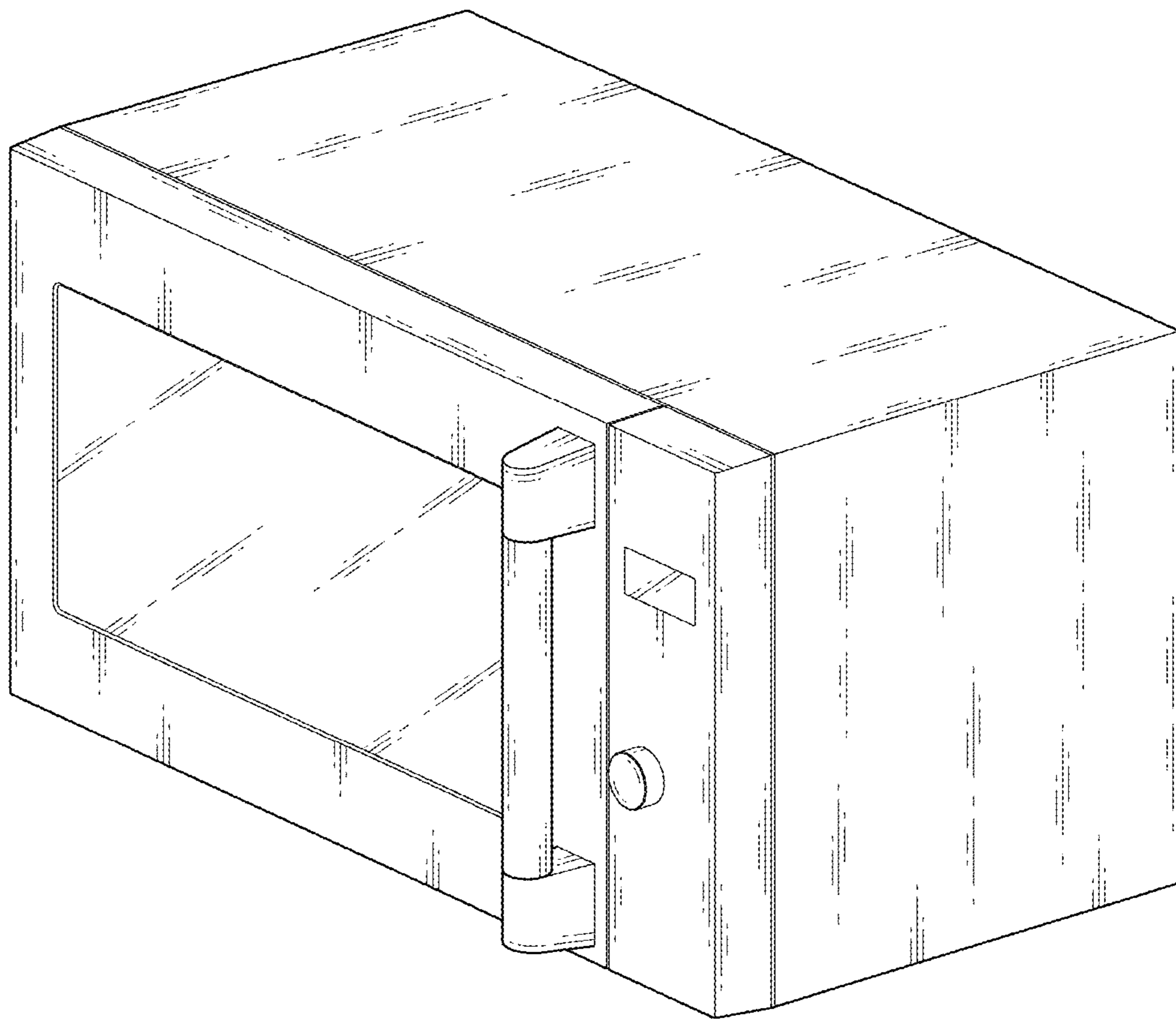


FIG. 2

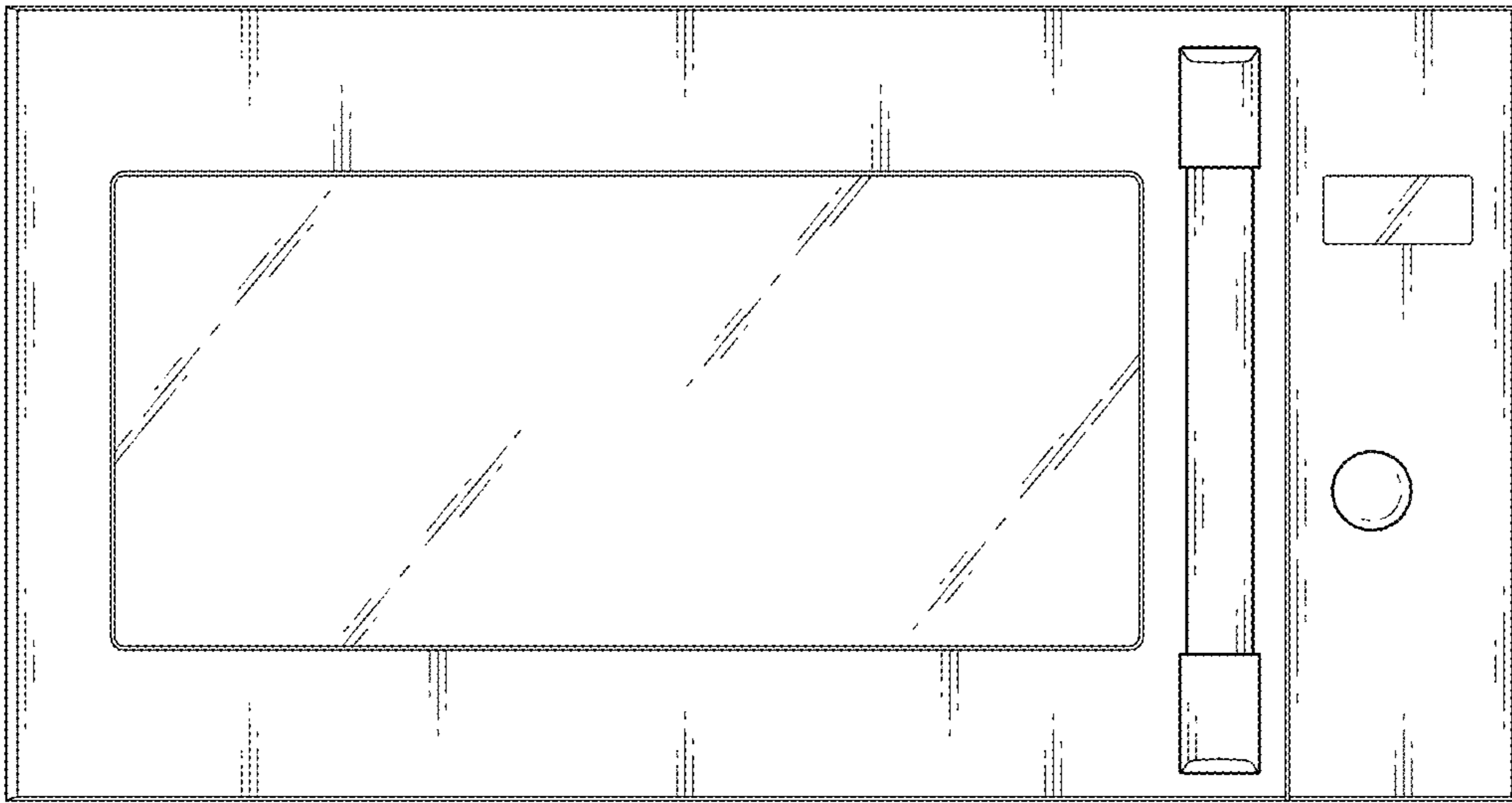


FIG. 3



FIG. 4

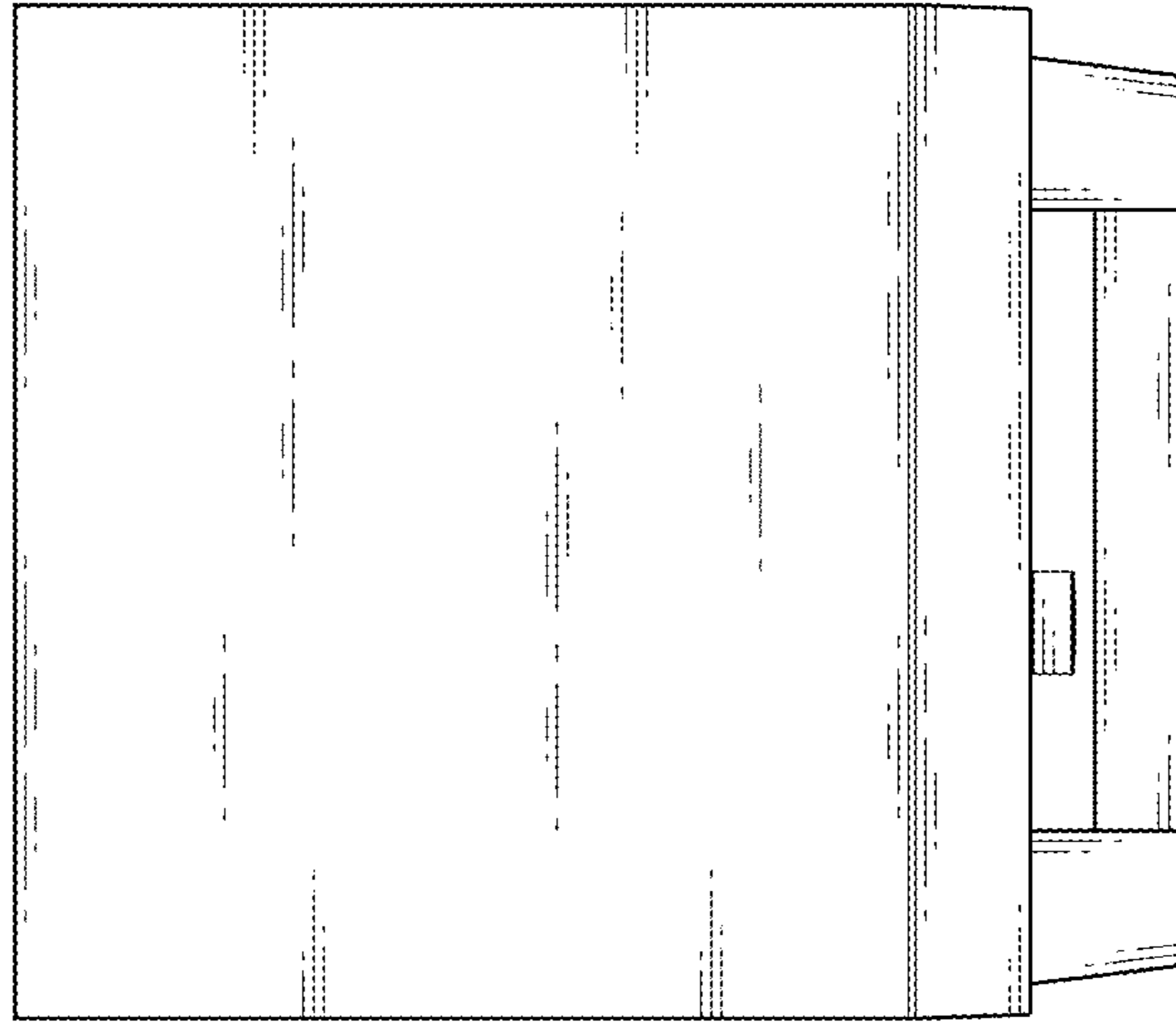


FIG. 5

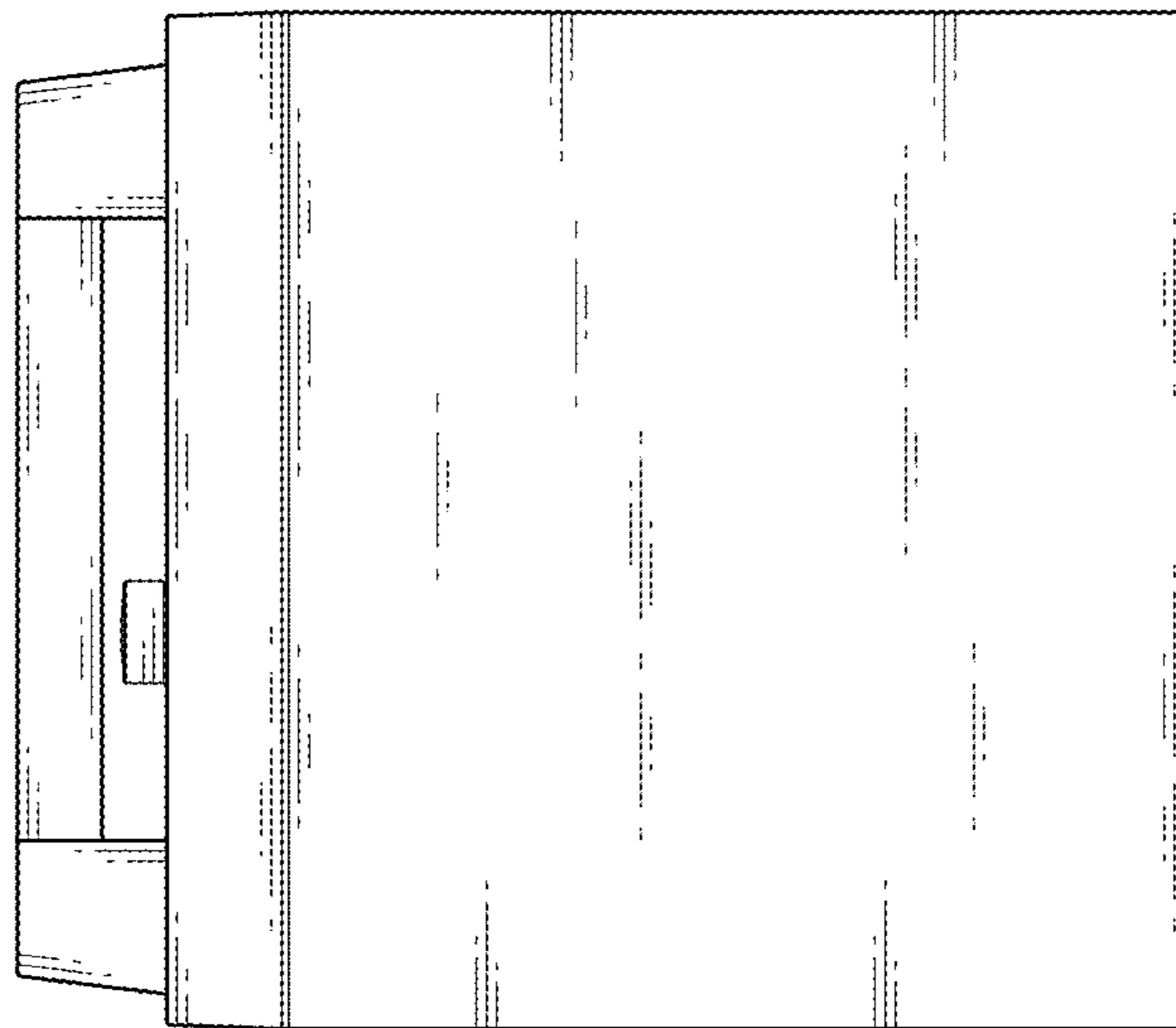


FIG. 6



FIG. 7

