



US00D769668S

(12) **United States Design Patent**
Lally

(10) **Patent No.:** **US D769,668 S**

(45) **Date of Patent:** **** Oct. 25, 2016**

- (54) **OUTDOOR MODULAR BAR AND GRILL**
- (71) Applicant: **James Lally**, West Creek, NJ (US)
- (72) Inventor: **James Lally**, West Creek, NJ (US)
- (**) Term: **14 Years**
- (21) Appl. No.: **29/518,137**
- (22) Filed: **Feb. 20, 2015**
- (51) **LOC (10) Cl.** **07-02**
- (52) **U.S. Cl.**
USPC **D7/334**
- (58) **Field of Classification Search**
USPC D7/332-337, 402, 323, 327, 339-341;
D34/12, 17, 19, 20; D23/286
CPC A47J 37/0704; A47J 37/0786; A47J
37/0763; A47J 37/0713; A47J 37/0781;
A47J 2037/0777; A47J 33/00; F24C 3/14;
F24C 7/10; F24C 15/18; F24C 15/12; F24B
1/207
See application file for complete search history.

- 2006/0191528 A1* 8/2006 Spangrud A47J 37/0713
126/275 R
- 2007/0175467 A1* 8/2007 Liu A47J 37/0704
126/25 R
- 2010/0275898 A1* 11/2010 Jansson A47J 37/0704
126/25 R
- 2012/0042866 A1* 2/2012 Ducate, Jr. A47J 37/0786
126/25 R
- 2015/0013664 A1* 1/2015 Riel A47J 37/0781
126/506

* cited by examiner

Primary Examiner — Susan Bennett Hattan
Assistant Examiner — Brett Miller
(74) *Attorney, Agent, or Firm* — Stuart M. Goldstein

(57) **CLAIM**

The ornamental design for an outdoor modular bar and grill, as shown and described.

DESCRIPTION

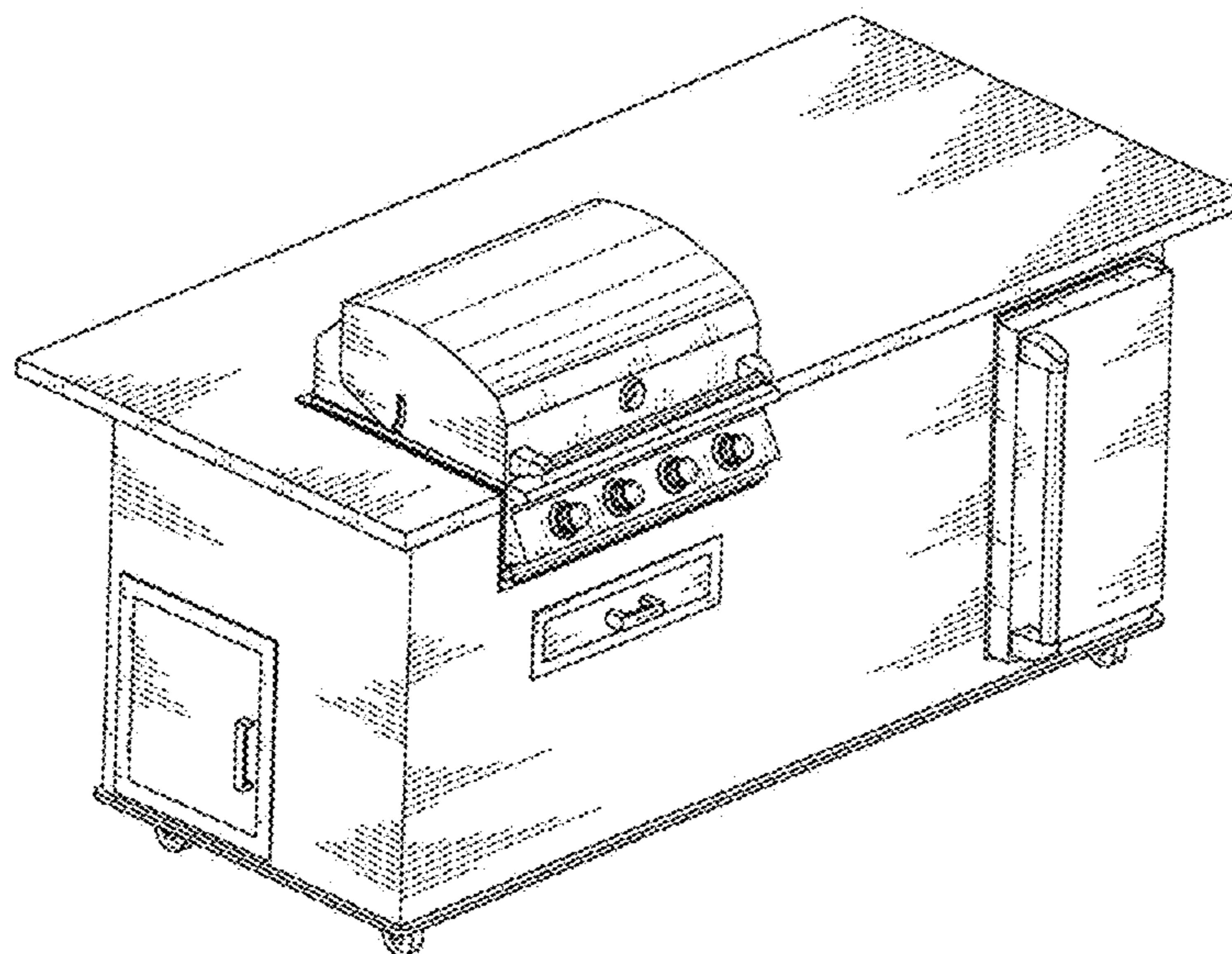
FIG. 1 is a top perspective view of the outdoor modular bar and grill of the present invention.
FIG. 2 is a rear perspective view of the outdoor modular bar and grill of the present invention.
FIG. 3 is a front view of the outdoor modular bar and grill of the present invention.
FIG. 4 is a rear view of the outdoor modular bar and grill of the present invention.
FIG. 5 is a top view of the outdoor modular bar and grill of the present invention.
FIG. 6 is a bottom view of the outdoor modular bar and grill of the present invention.
FIG. 7 is an elevation view of the outdoor modular bar and grill of the present invention; and,
FIG. 8 is the opposite elevation view of the outdoor modular bar and grill of the present invention.

1 Claim, 8 Drawing Sheets

(56) **References Cited**

U.S. PATENT DOCUMENTS

- D299,305 S * 1/1989 Vollborn D7/332
- D472,756 S * 4/2003 Pai D7/334
- D475,235 S * 6/2003 Home D7/334
- D476,188 S * 6/2003 Wood D7/334
- D529,754 S * 10/2006 Chung D7/334
- D547,108 S * 7/2007 Tseng D7/332
- D547,109 S * 7/2007 Tseng D7/334
- D560,416 S * 1/2008 Sedberry D7/334
- D560,419 S * 1/2008 Lockhart D7/334
- D584,562 S * 1/2009 Chau D7/334
- 2005/0133018 A1* 6/2005 Spangrud A47J 37/0781
126/41 R
- 2006/0054156 A1* 3/2006 Zelek A47J 37/0704
126/25 R



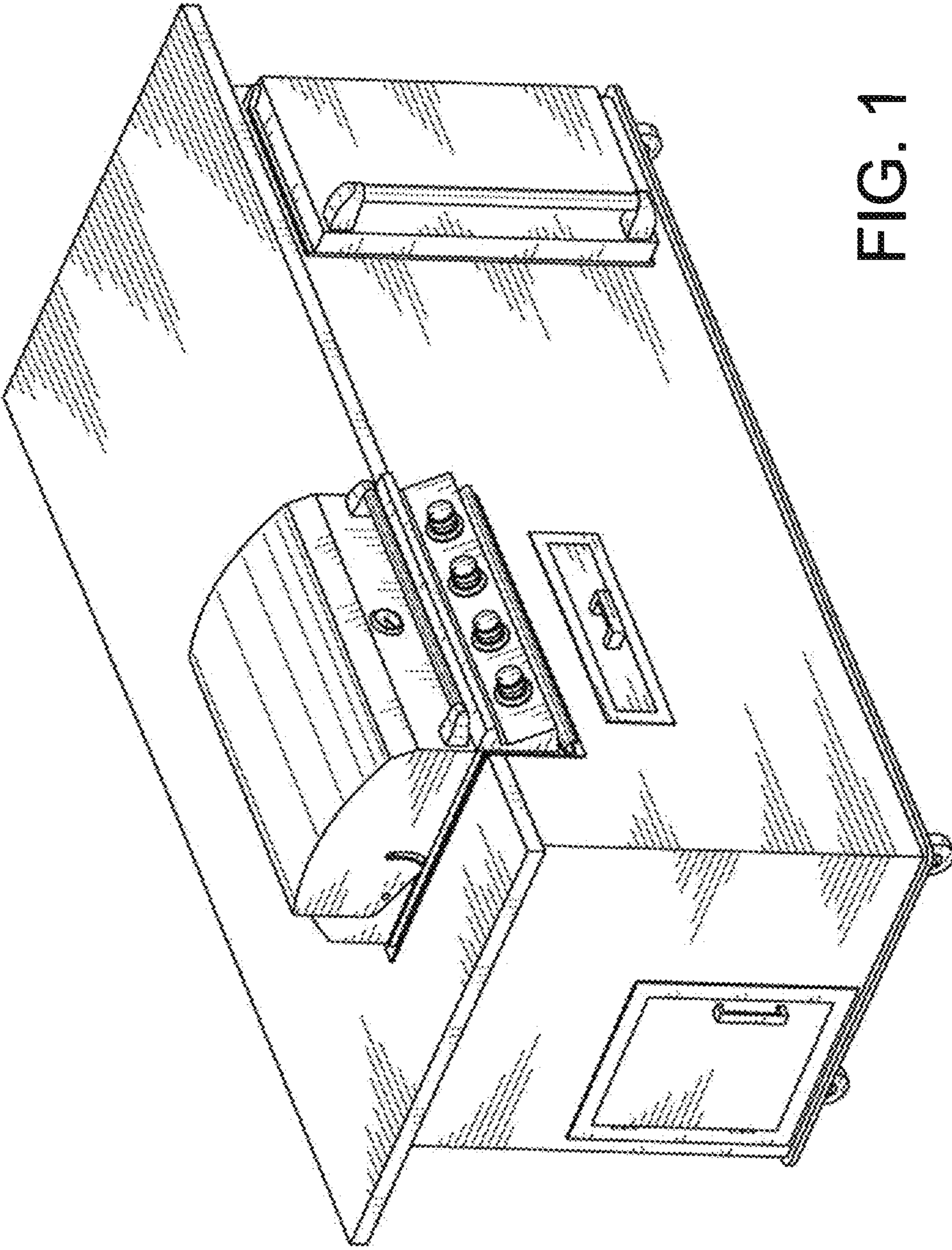


FIG. 1

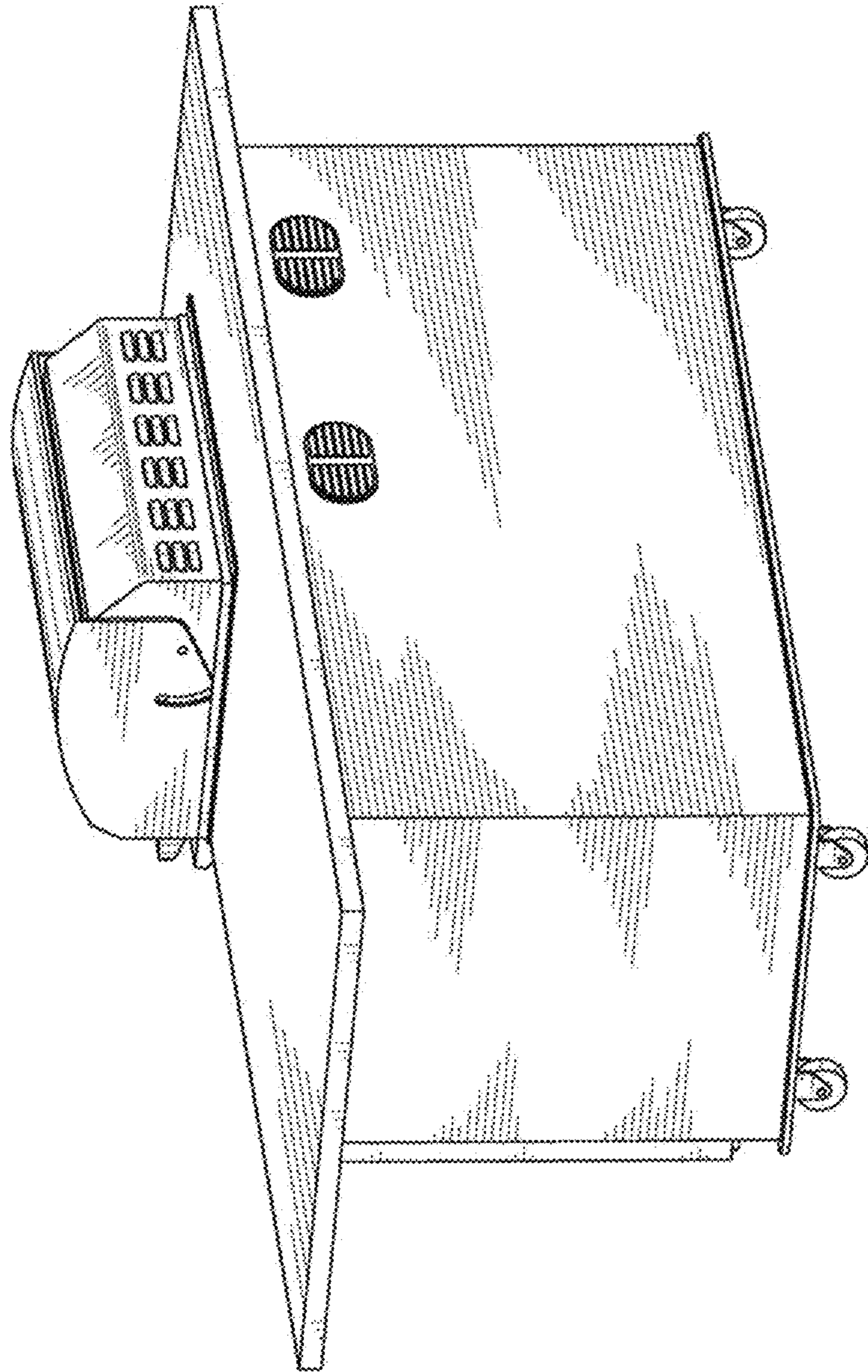


FIG. 2

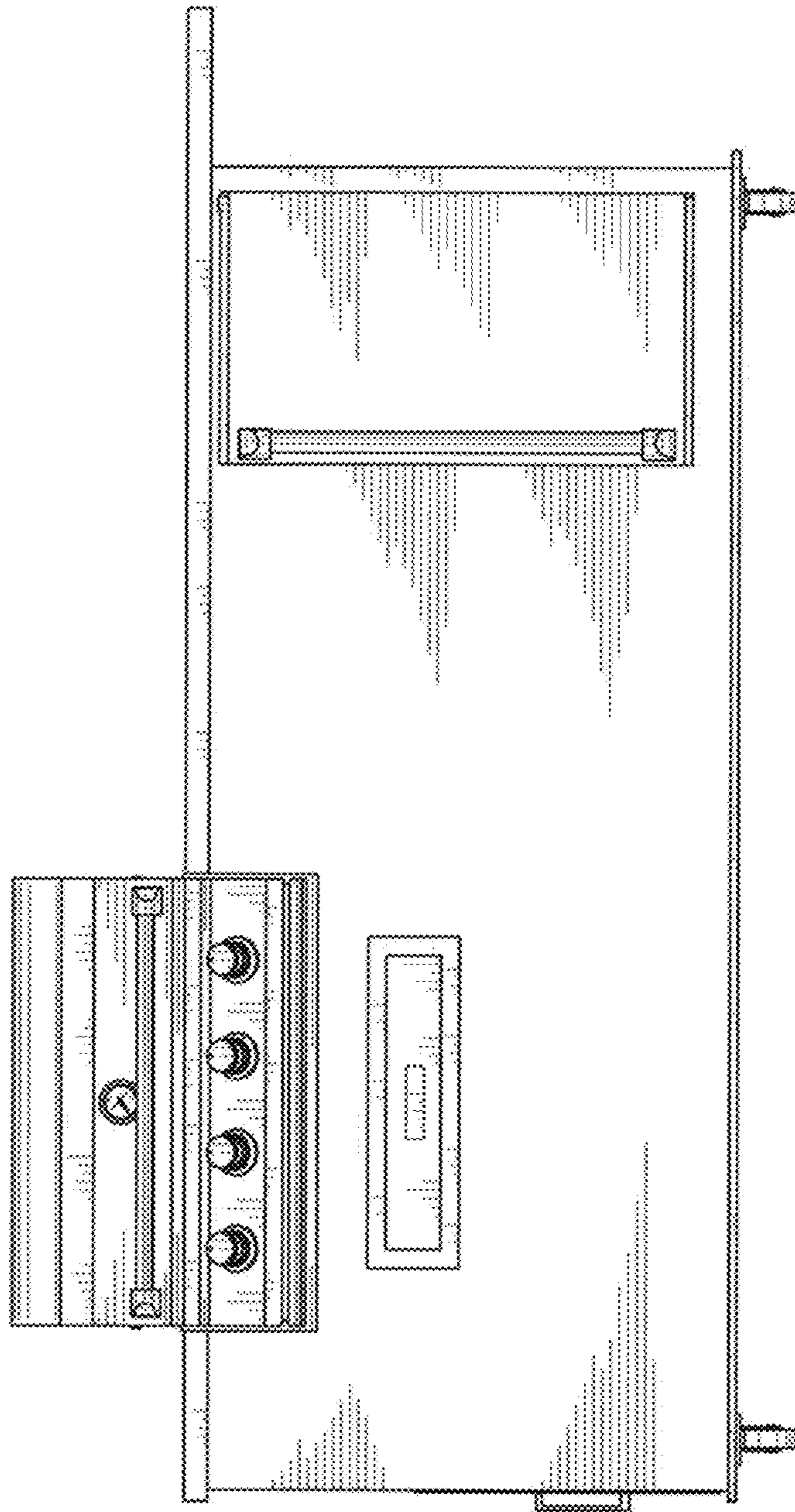


FIG. 3

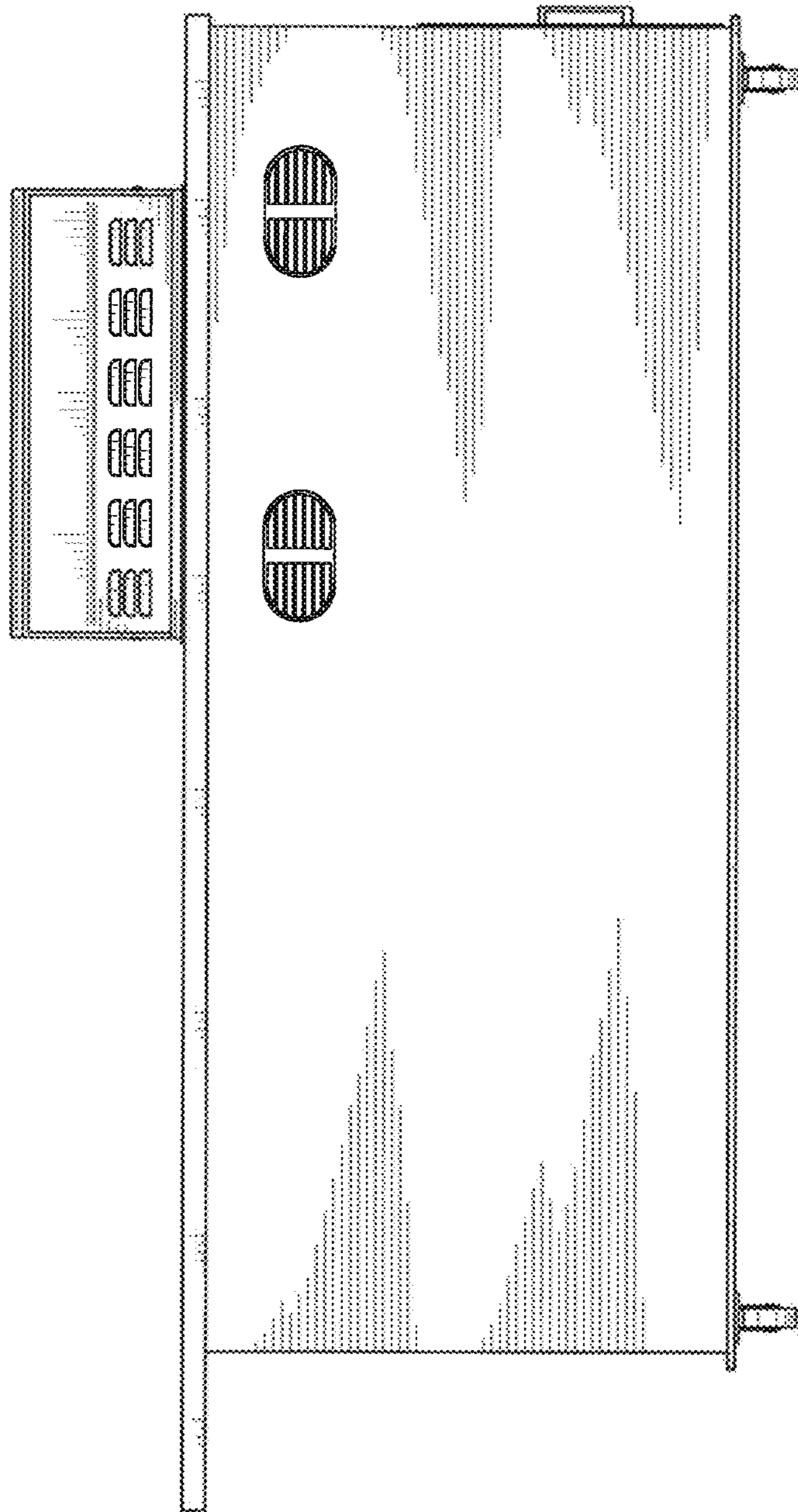


FIG. 4

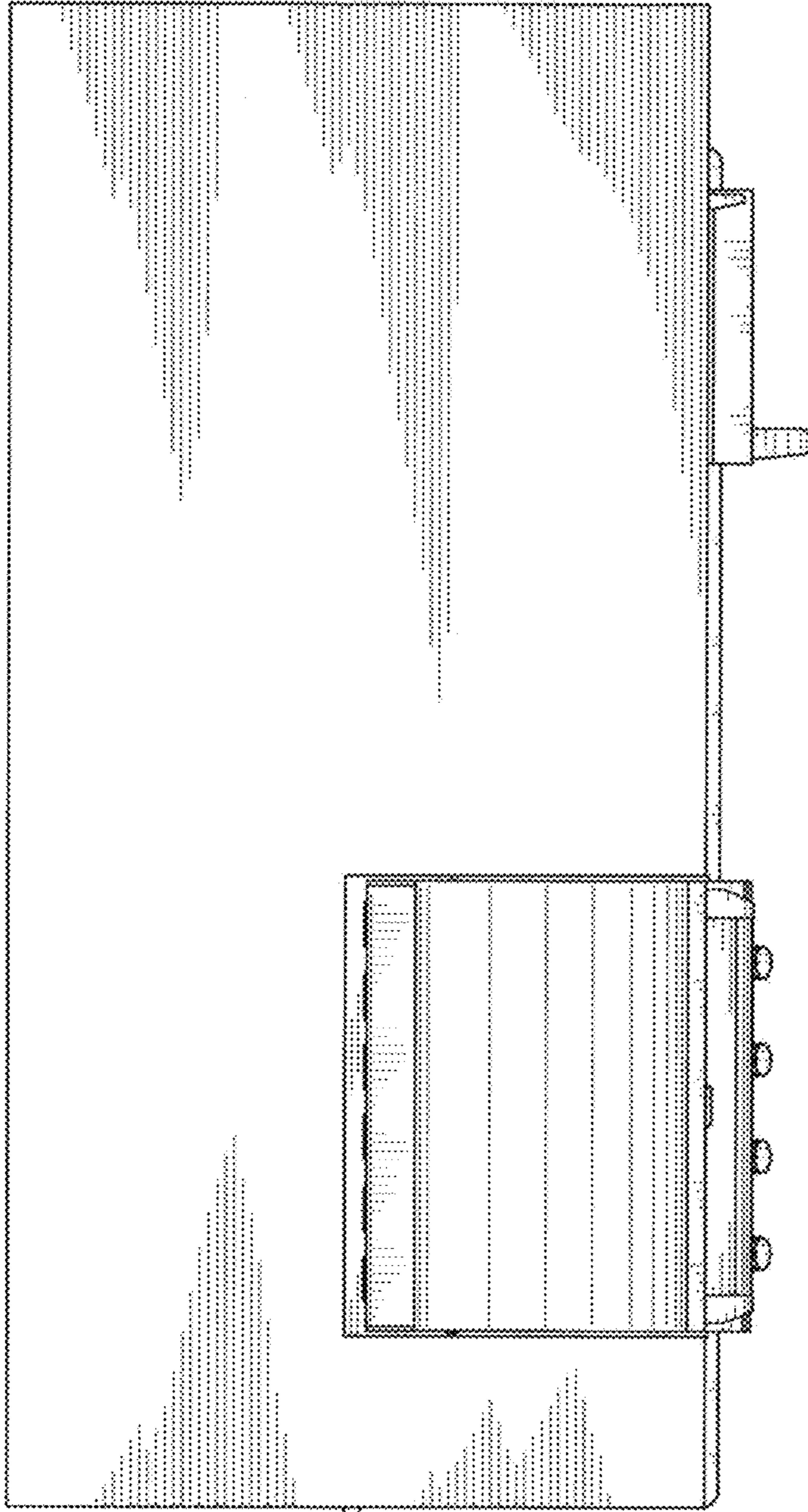


FIG. 5

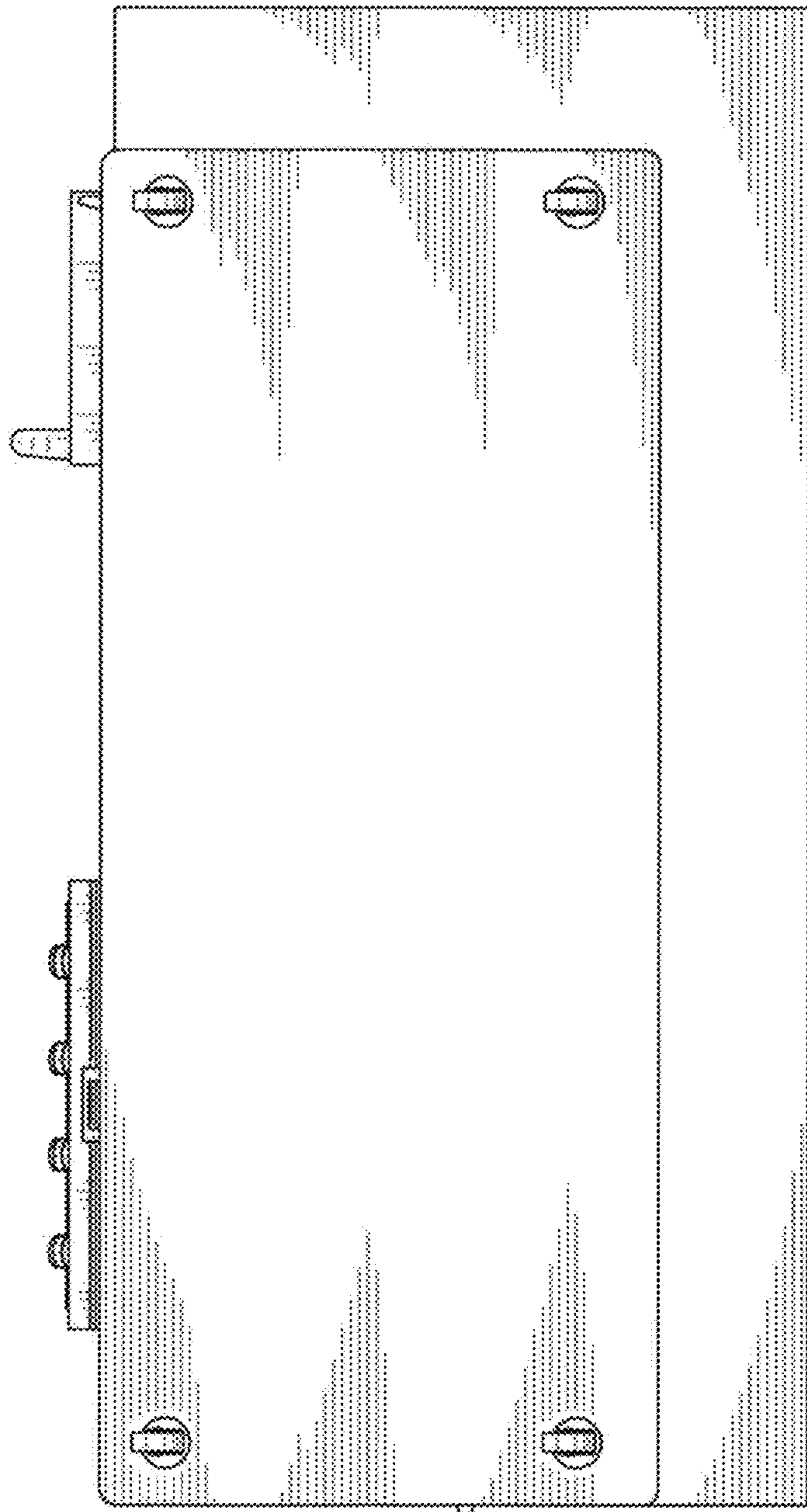


FIG. 6

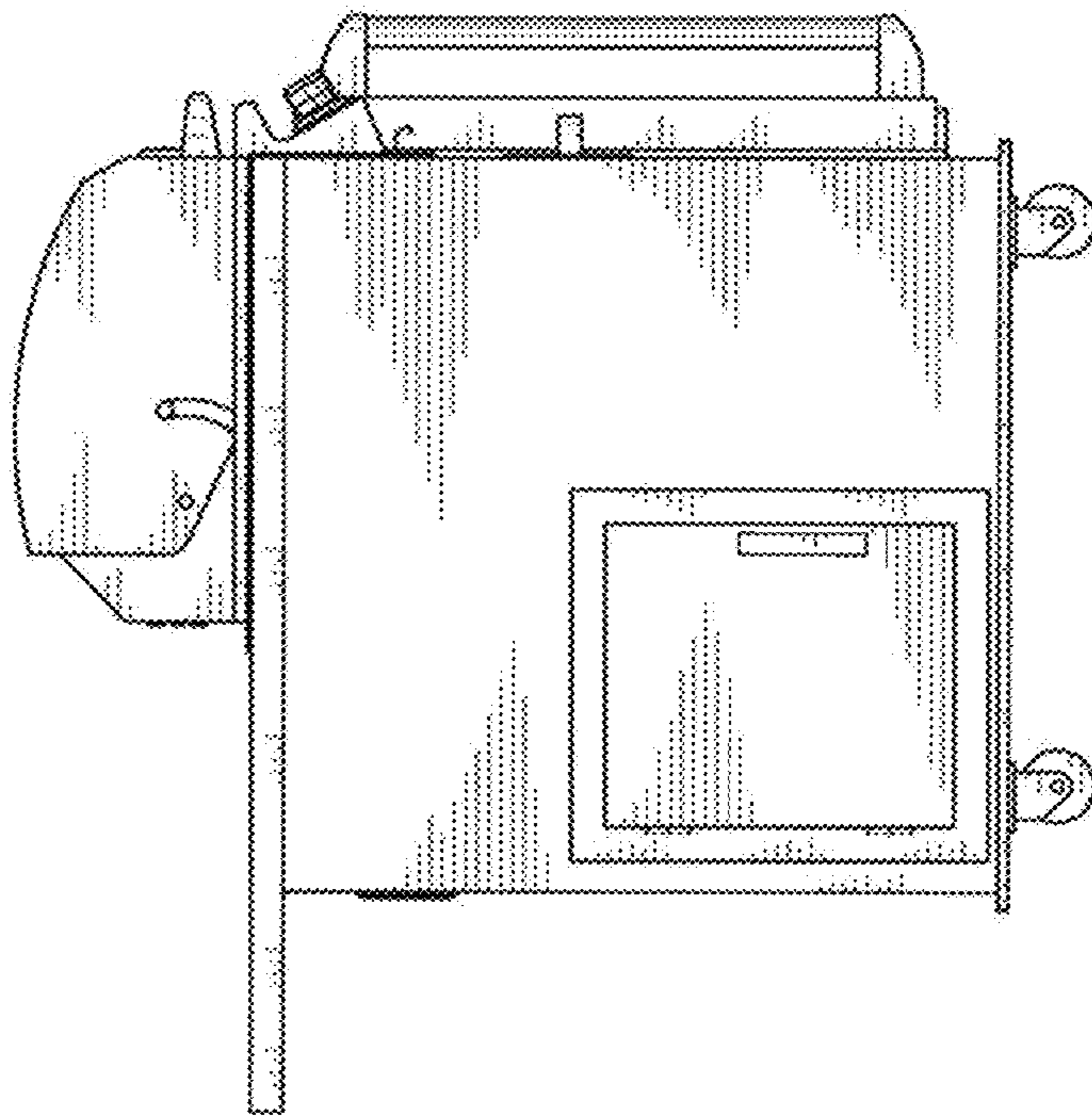


FIG. 7

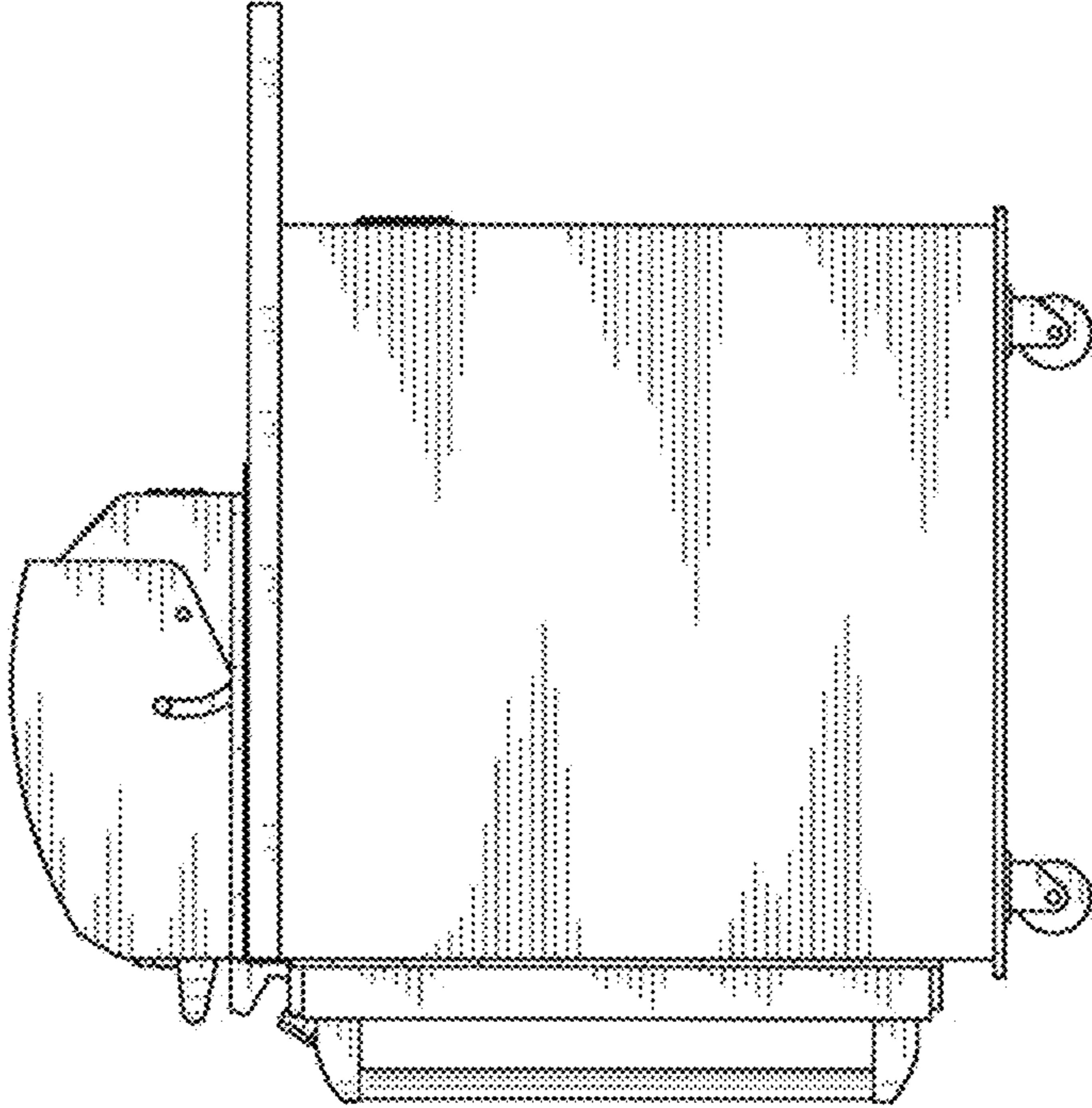


FIG. 8