



US00D769667S

(12) **United States Design Patent** (10) **Patent No.:** **US D769,667 S**  
**Ting** (45) **Date of Patent:** **\*\* Oct. 25, 2016**

- (54) **POTABLE CAMPING STOVE**
- (71) Applicant: **Tailai Ting**, Chino, CA (US)
- (72) Inventor: **Tailai Ting**, Chino, CA (US)
- (\*\*) Term: **14 Years**
- (21) Appl. No.: **29/505,028**
- (22) Filed: **May 1, 2015**
- (51) **LOC (10) Cl.** ..... **07-02**
- (52) **U.S. Cl.**  
USPC ..... **D7/332**
- (58) **Field of Classification Search**  
USPC ..... D7/331-337, 352-358, 416, 417;  
126/25 R, 9 R, 40, 38, 50, 9 B, 29, 30  
CPC .... A47J 33/00; A47J 37/079; A47J 37/0704;  
A47J 37/0786; A47J 37/0763; A47J  
2037/0777; F24B 1/202  
See application file for complete search history.

D579,260 S *	10/2008	Zischke	.....	D7/332
D681,389 S *	5/2013	Goecke	.....	D7/334
D708,001 S *	7/2014	Measom	.....	D7/332
D708,002 S *	7/2014	Cruccolini	.....	D7/334
D709,315 S *	7/2014	Witzel	.....	D7/332
D712,189 S *	9/2014	Efink	.....	D7/334
2005/0217659 A1 *	10/2005	McClenahan	.....	F24B 1/202 126/25 R
2012/0186461 A1 *	7/2012	Carson	.....	A47J 37/0763 99/421 H

\* cited by examiner

*Primary Examiner* — Susan Bennett Hattan

*Assistant Examiner* — Brett Miller

(57) **CLAIM**

The ornamental design for a portable camping stove, as shown and described.

**DESCRIPTION**

FIG. 1 is a perspective view of a portable camping stove showing my new design.

FIG. 2 is a top perspective view thereof.

FIG. 3 is a front perspective view thereof.

FIG. 4 is a left side perspective view thereof.

FIG. 5 is a right side perspective view thereof.

FIG. 6 is a bottom perspective view thereof.

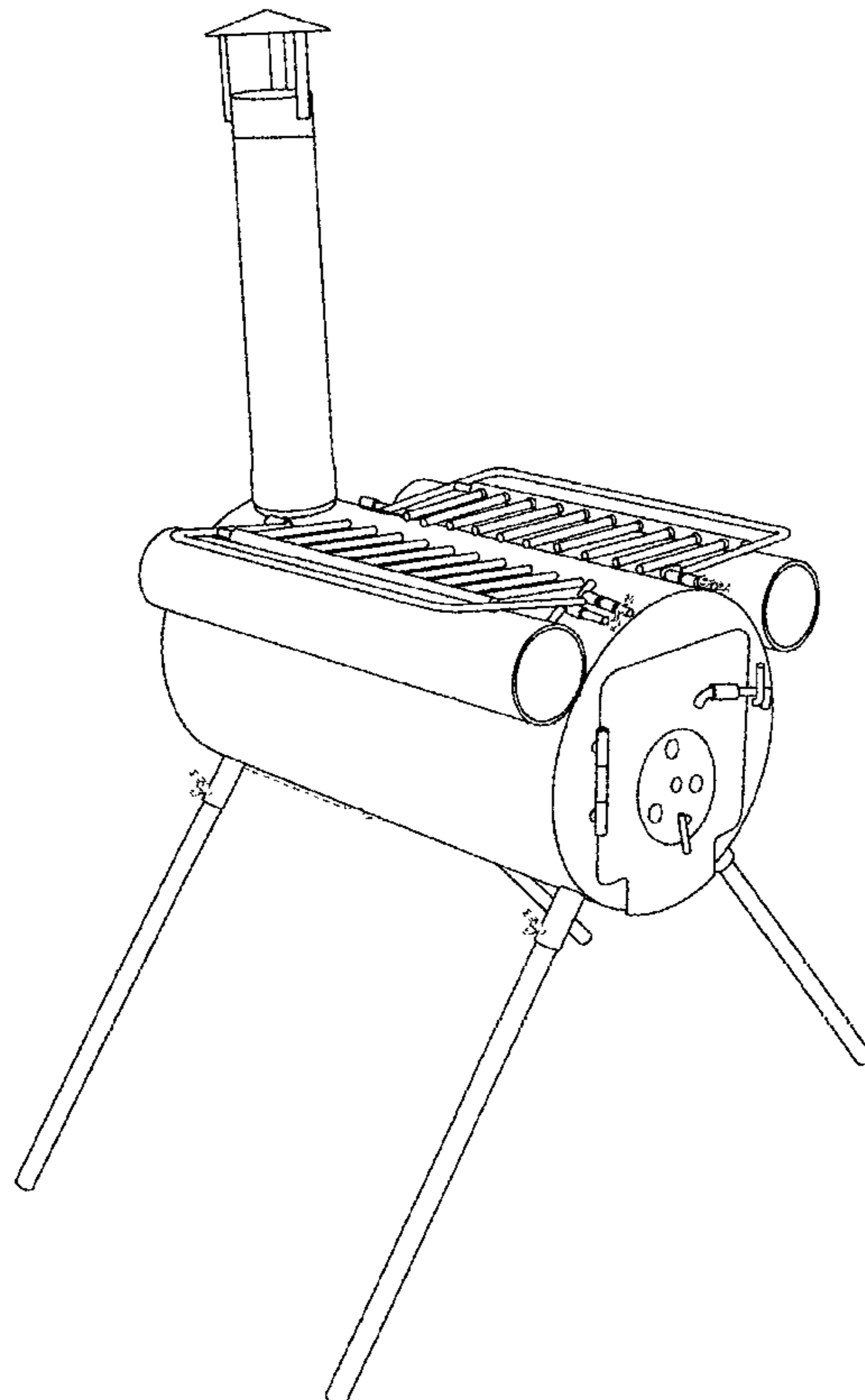
FIG. 7 is a rear perspective view thereof; and,

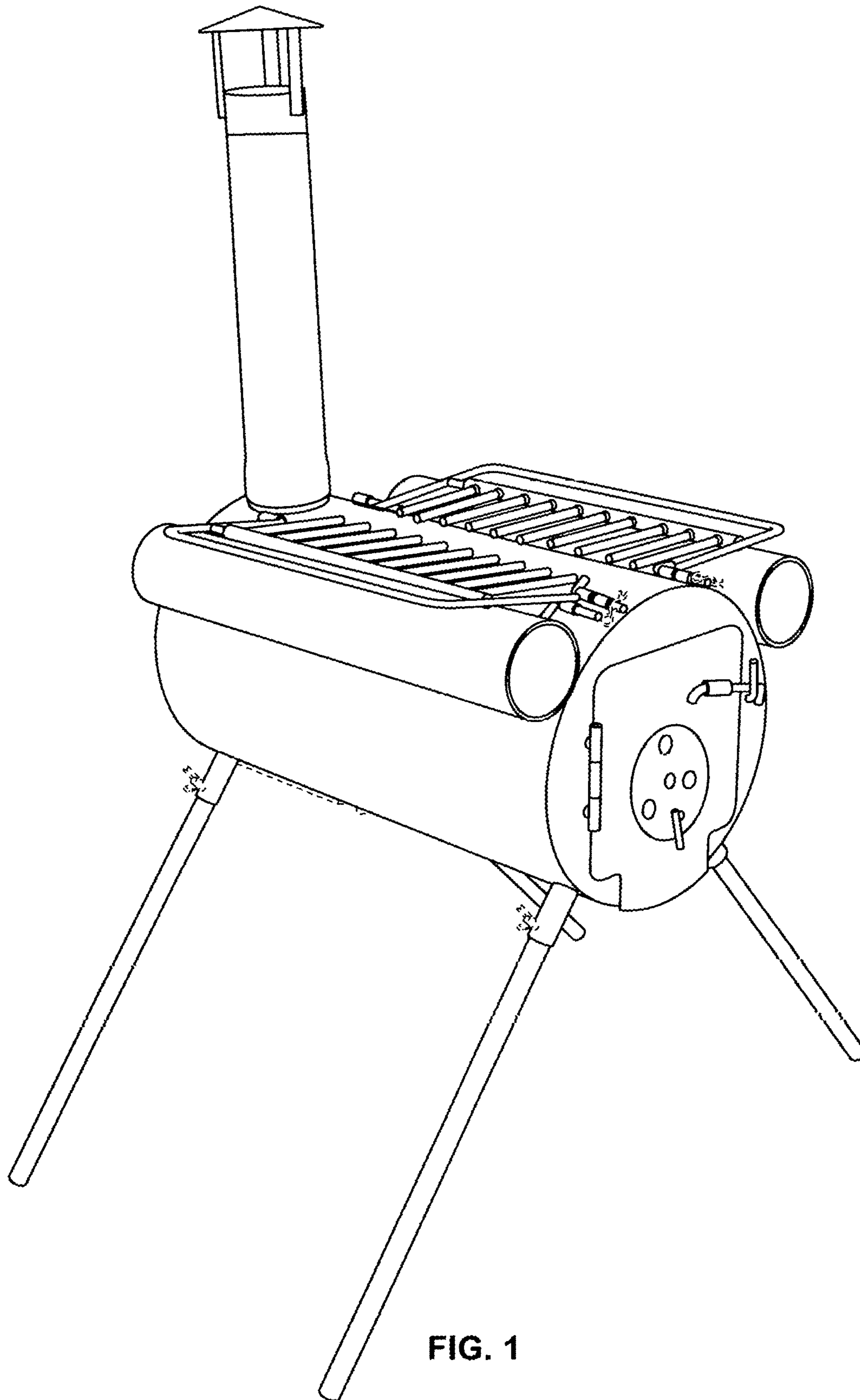
FIG. 8 is a front perspective view of the portable camping stove shown with extended pipes.

**1 Claim, 8 Drawing Sheets**

(56) **References Cited**  
U.S. PATENT DOCUMENTS

2,922,414 A *	1/1960	Brender	.....	F24B 1/202 126/306
4,665,891 A *	5/1987	Nemec	.....	A47J 37/0704 126/25 R
6,189,528 B1 *	2/2001	Oliver	.....	A47J 37/0704 126/25 R





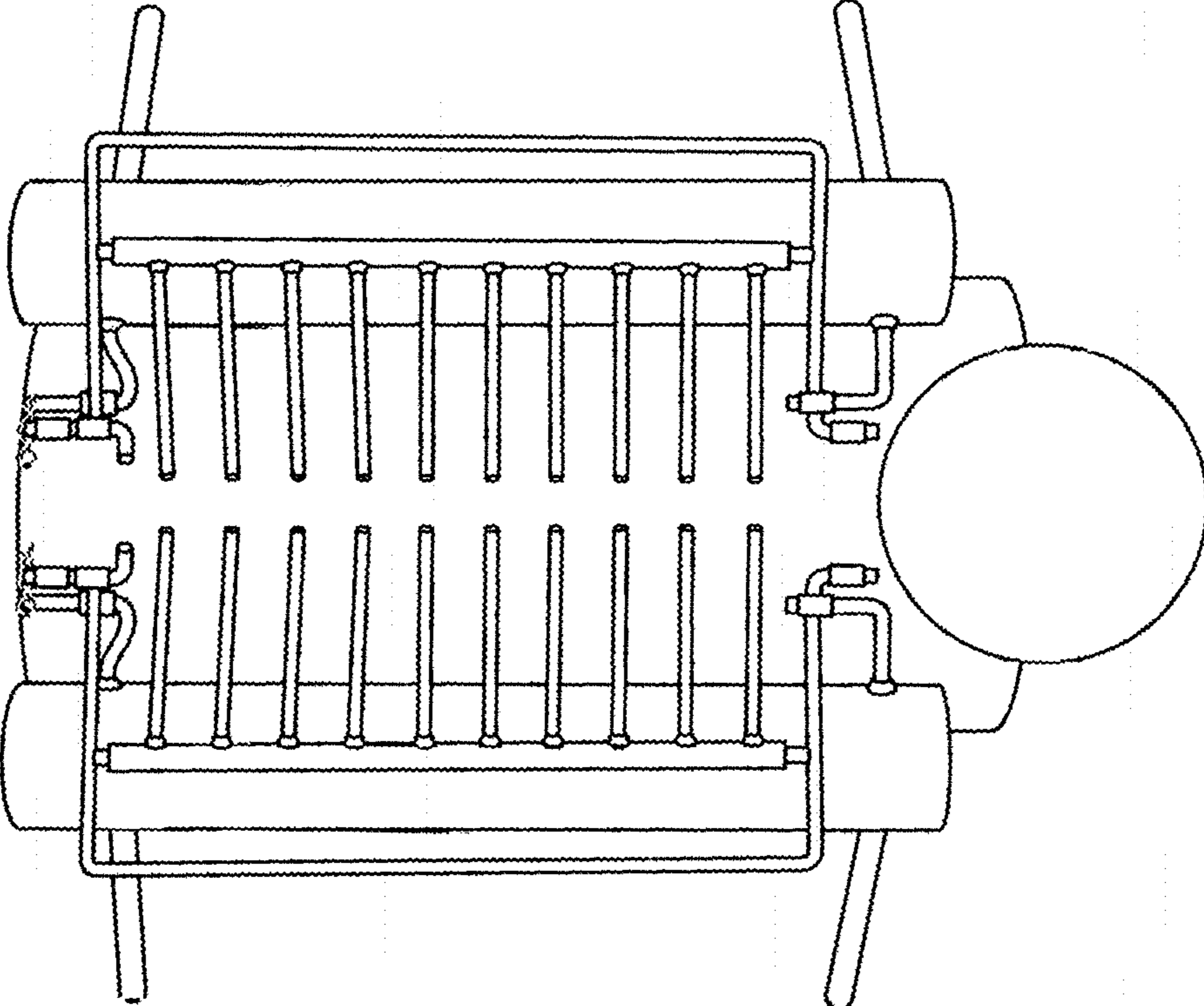


FIG. 2

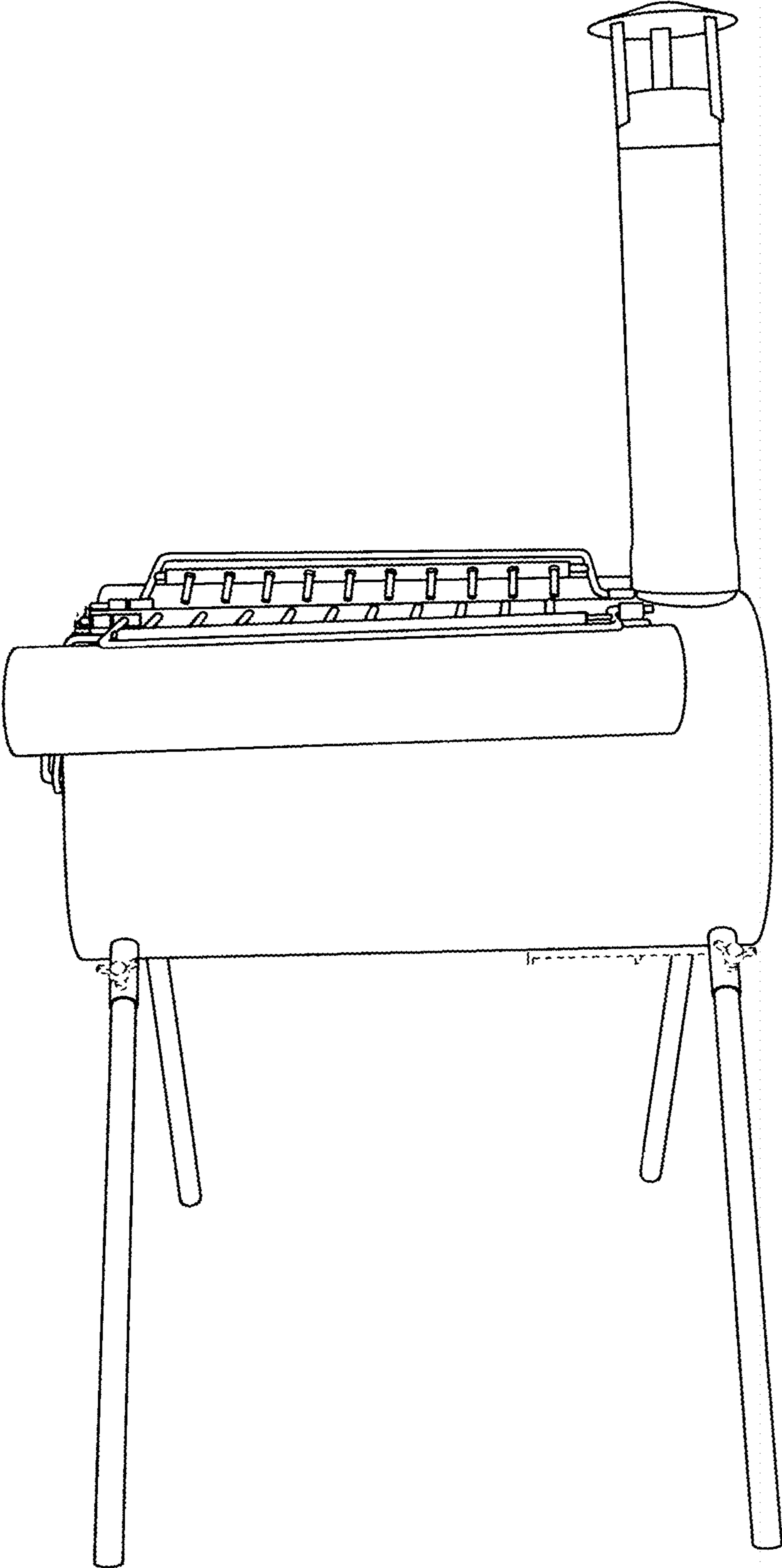


FIG. 3

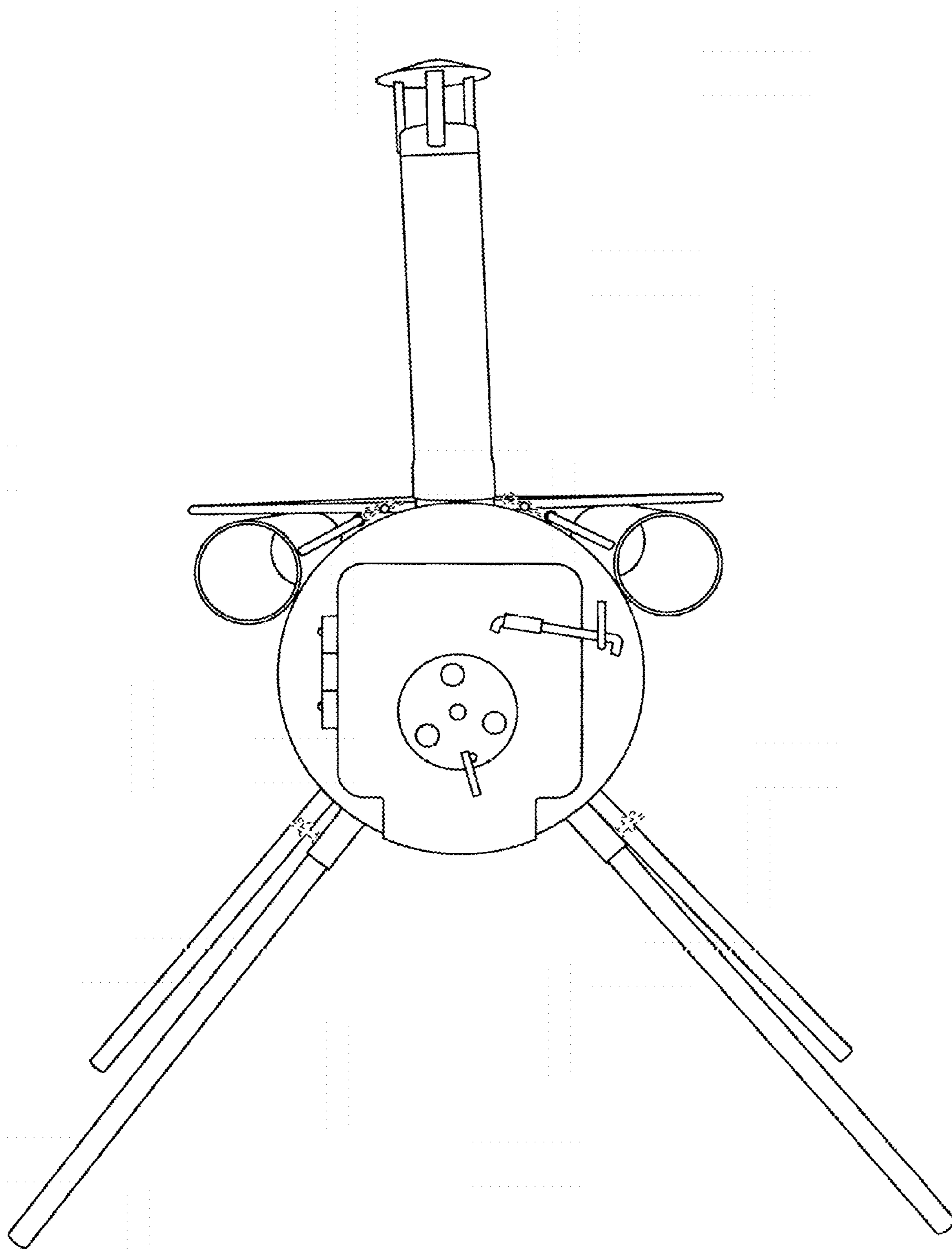


FIG. 4

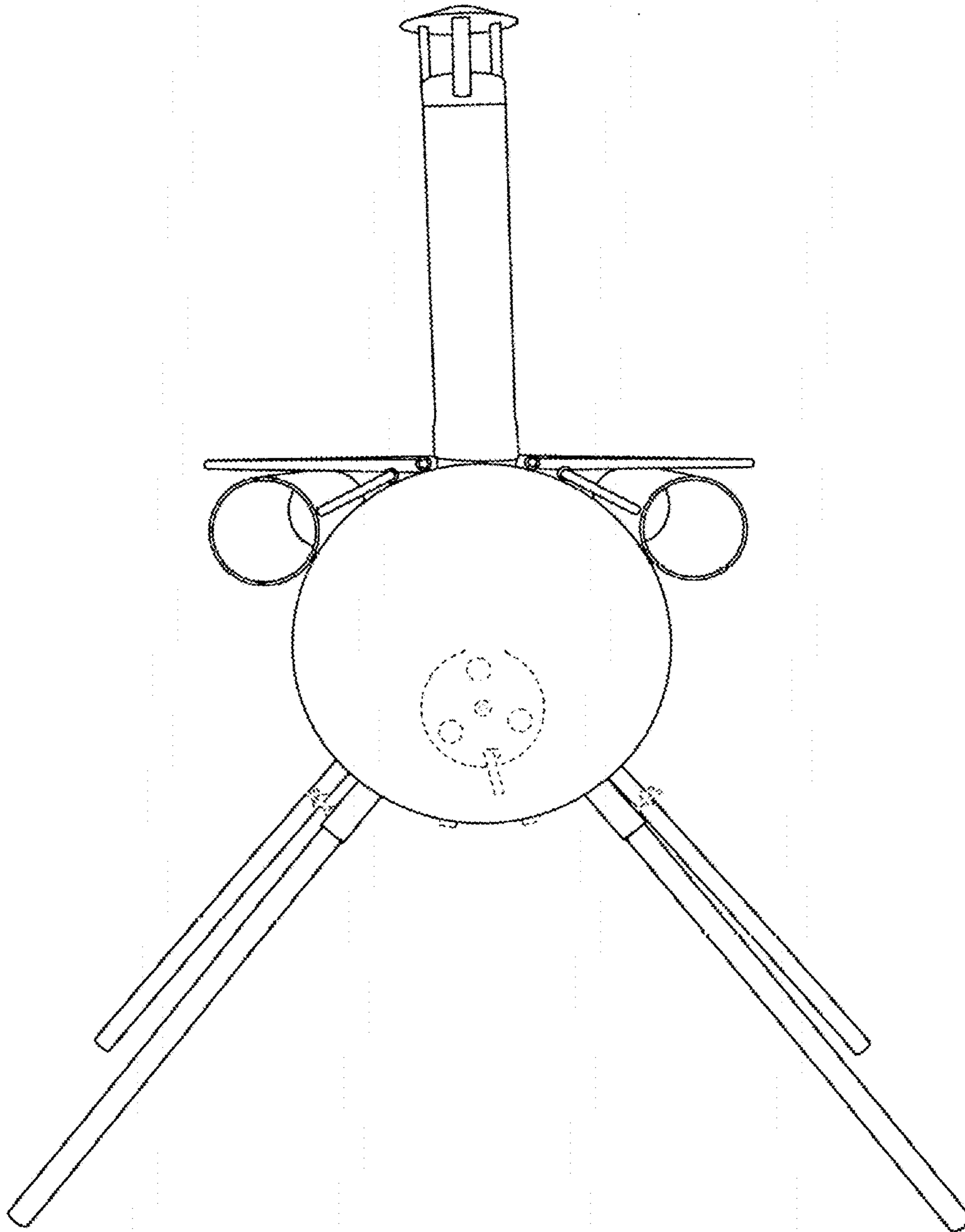


FIG. 5

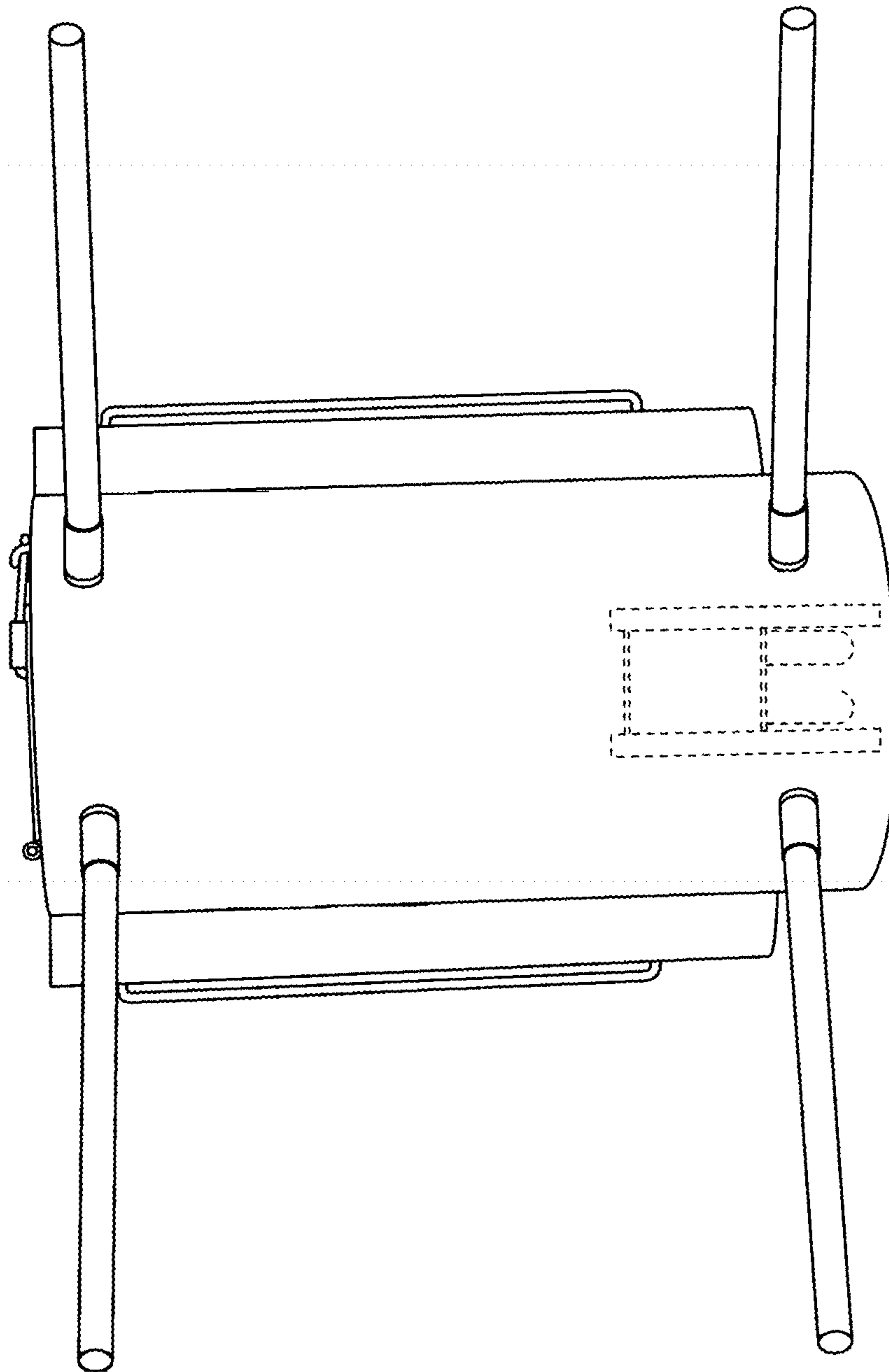


FIG. 6

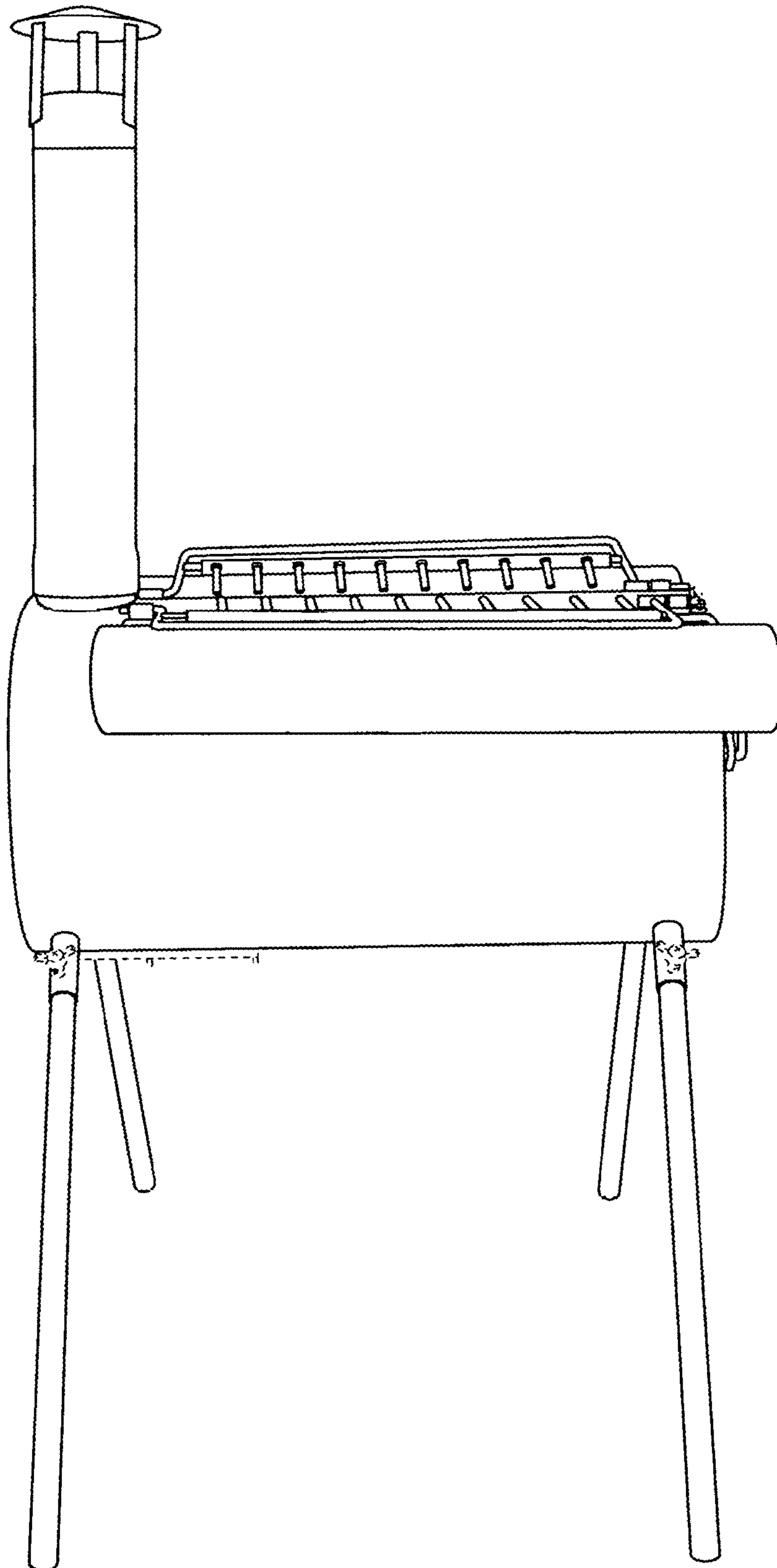


FIG. 7



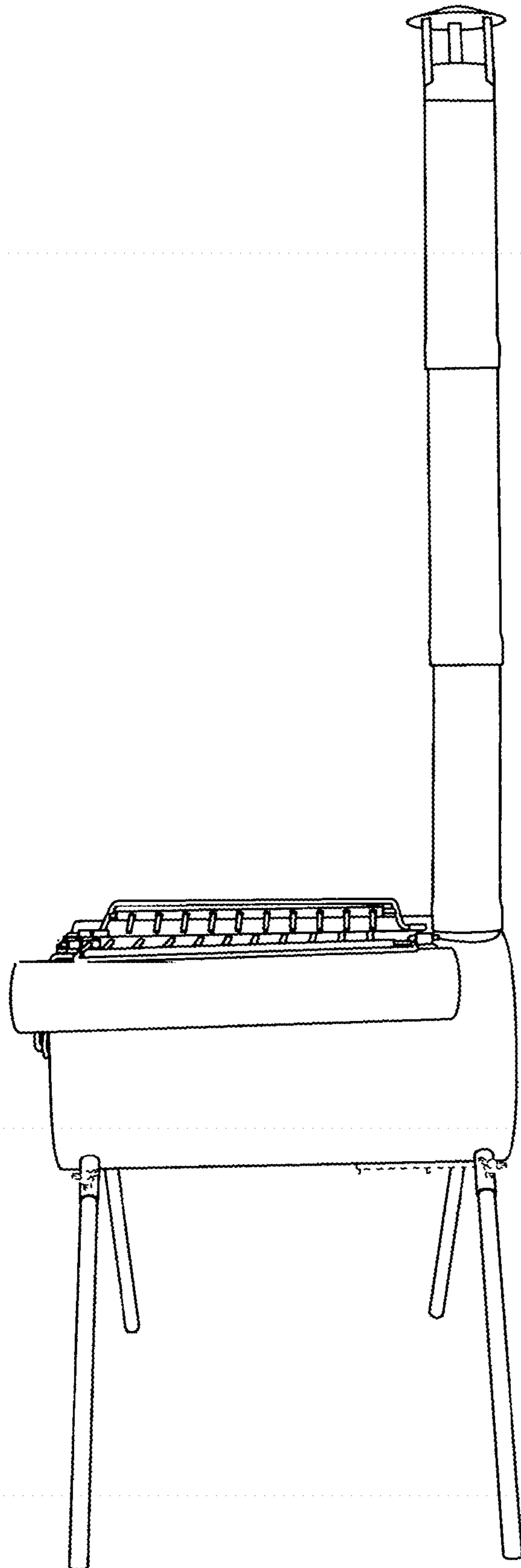


FIG. 8