



US00D769666S

(12) **United States Design Patent**
Livne

(10) **Patent No.:** **US D769,666 S**

(45) **Date of Patent:** **** *Oct. 25, 2016**

(54) **FOLDING SMOKER**

(71) Applicant: **Y.D.G. consulting ltd.**, Mevaseret Zion (IL)

(72) Inventor: **Guy Livne**, Mevaseret Zion (IL)

(73) Assignee: **Y.D.G. CONSULTING LTD.**, Mevaseret Zion (IL)

(*) Notice: This patent is subject to a terminal disclaimer.

(**) Term: **14 Years**

(21) Appl. No.: **29/477,032**

(22) Filed: **Dec. 19, 2013**

(51) **LOC (10) Cl.** **07-02**

(52) **U.S. Cl.**
USPC **D7/332**

(58) **Field of Classification Search**
USPC D7/332, 334-337, 402-405, 362, 367;
99/481-482, 449, 340; 431/206;
126/19 M, 19 R, 39 R, 39 H, 39 B, 25 R,
126/43, 41 R, 9 R, 38, 37 R, 40, 50
See application file for complete search history.

(56) **References Cited**

U.S. PATENT DOCUMENTS

652,531 A * 6/1900 Carlson 99/482
3,105,483 A * 10/1963 Bryan 126/9 R

3,146,773 A * 9/1964 Melzer 126/9 R
3,841,211 A * 10/1974 Ellis 99/482
3,974,760 A * 8/1976 Ellis 99/482
4,455,992 A * 6/1984 Hsiao 126/9 R
D340,613 S * 10/1993 Kesling D7/337
2010/0319552 A1 * 12/2010 Lu 99/449
2014/0024240 A1 * 1/2014 Kobayashi et al. 439/296
2014/0224241 A1 * 8/2014 McCary 126/25 R

* cited by examiner

Primary Examiner — Ruth McInroy

(74) *Attorney, Agent, or Firm* — Manelli Selter PLLC;
Edward J. Stemberger

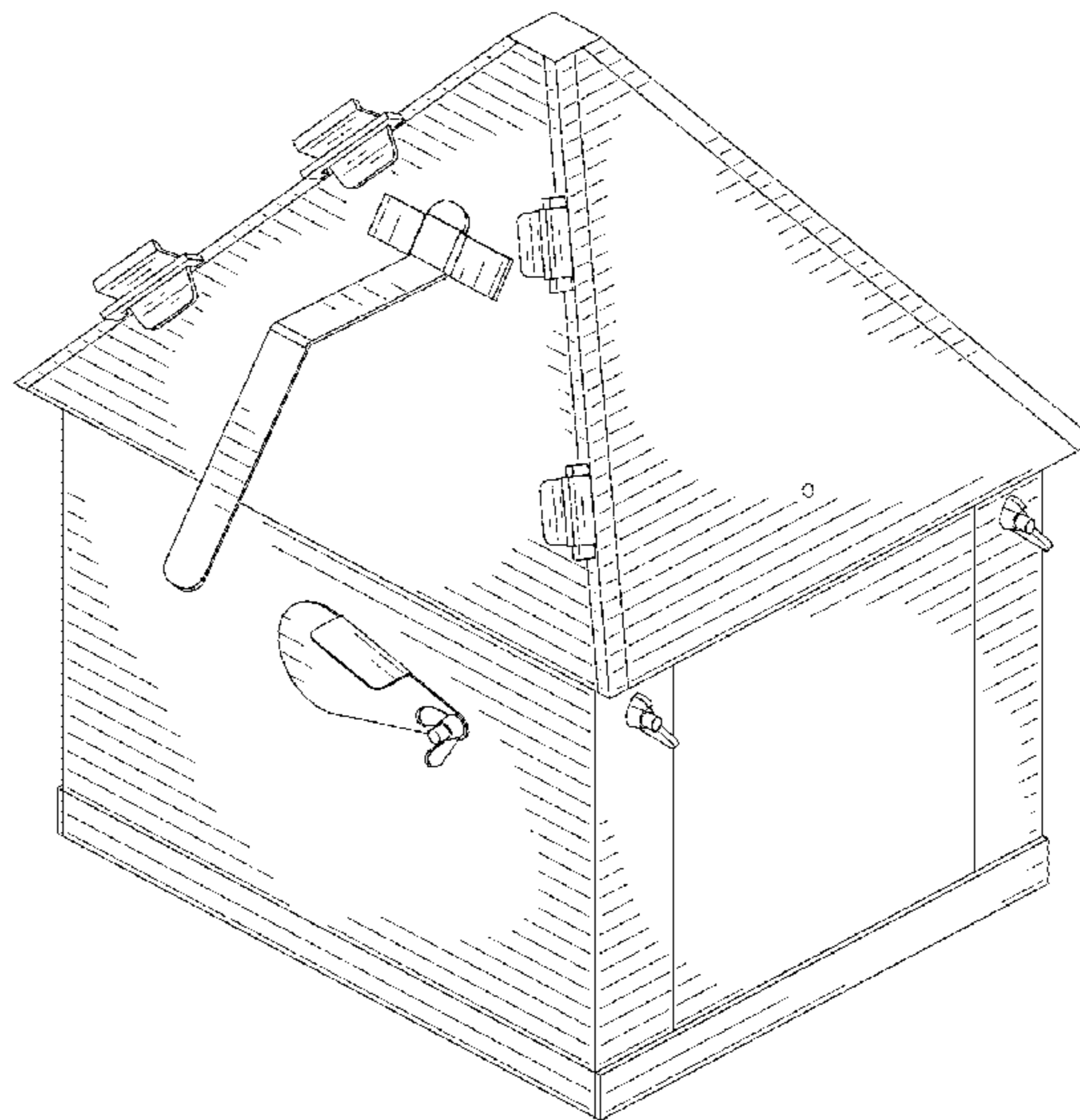
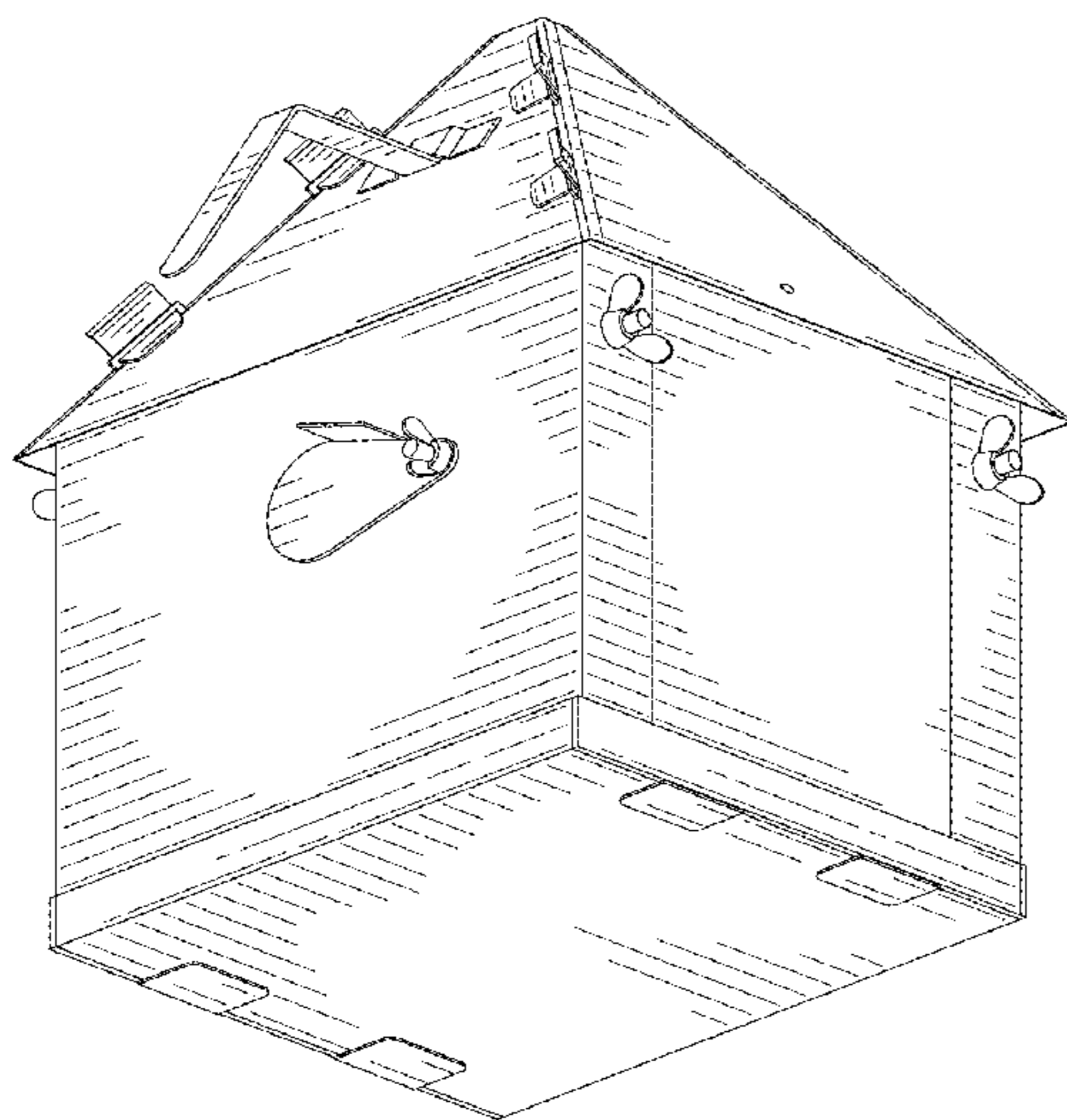
(57) **CLAIM**

I claim the ornamental design for a folding smoker, as shown and described.

DESCRIPTION

FIG. 1 is a right side view of a folding smoker showing our new design;
FIG. 2 is a front view thereof;
FIG. 3 is a left view thereof;
FIG. 4 is a top plan view thereof;
FIG. 5 is a back view thereof;
FIG. 6 is a bottom view thereof;
FIG. 7 is a bottom perspective view thereof;
FIG. 8 is a side perspective view thereof; and,
FIG. 9 is a perspective view of the folding smoker in an open position.
The details shown in broken lines form no part of the claimed design.

1 Claim, 9 Drawing Sheets



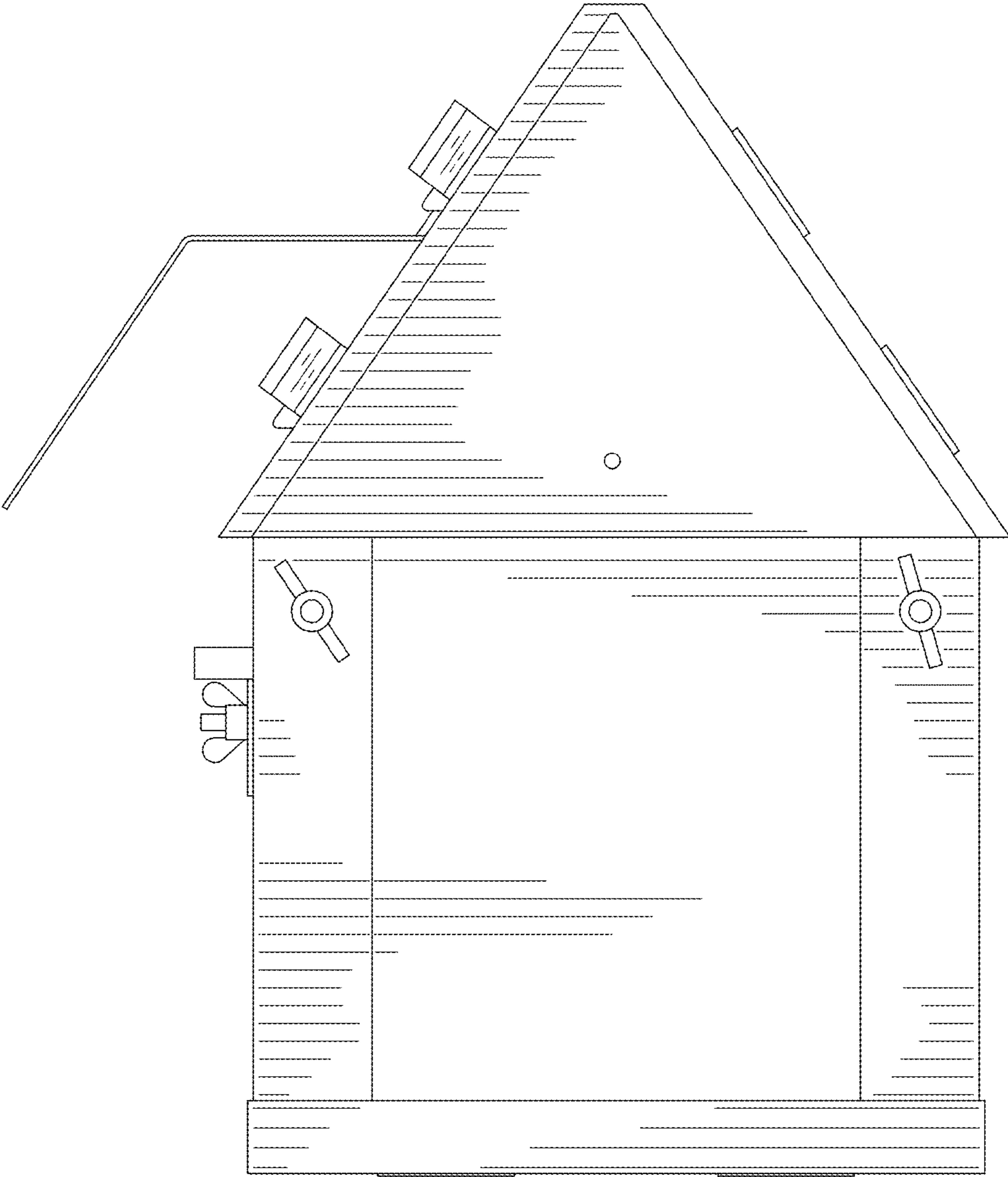


FIG. 1

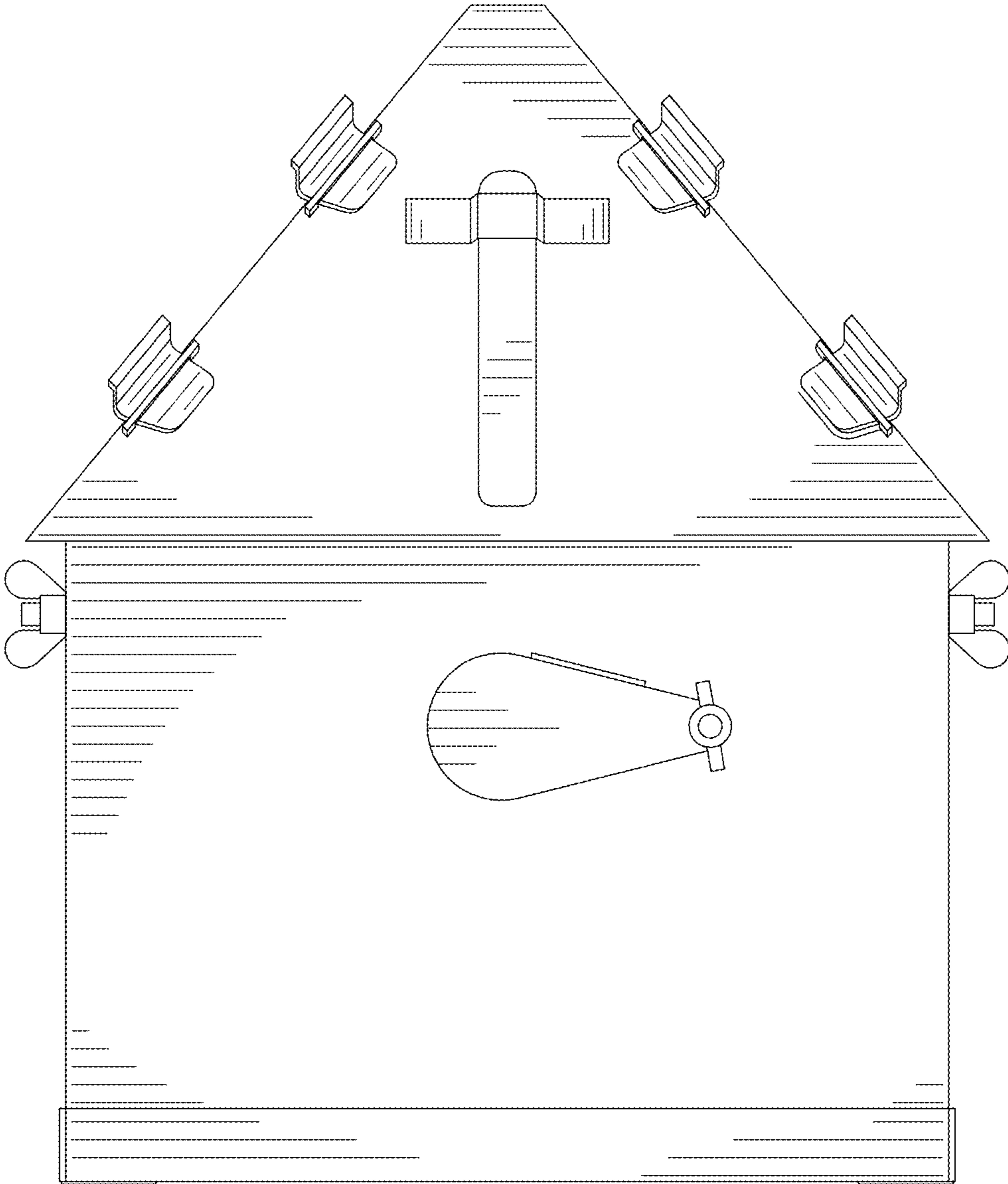


FIG. 2

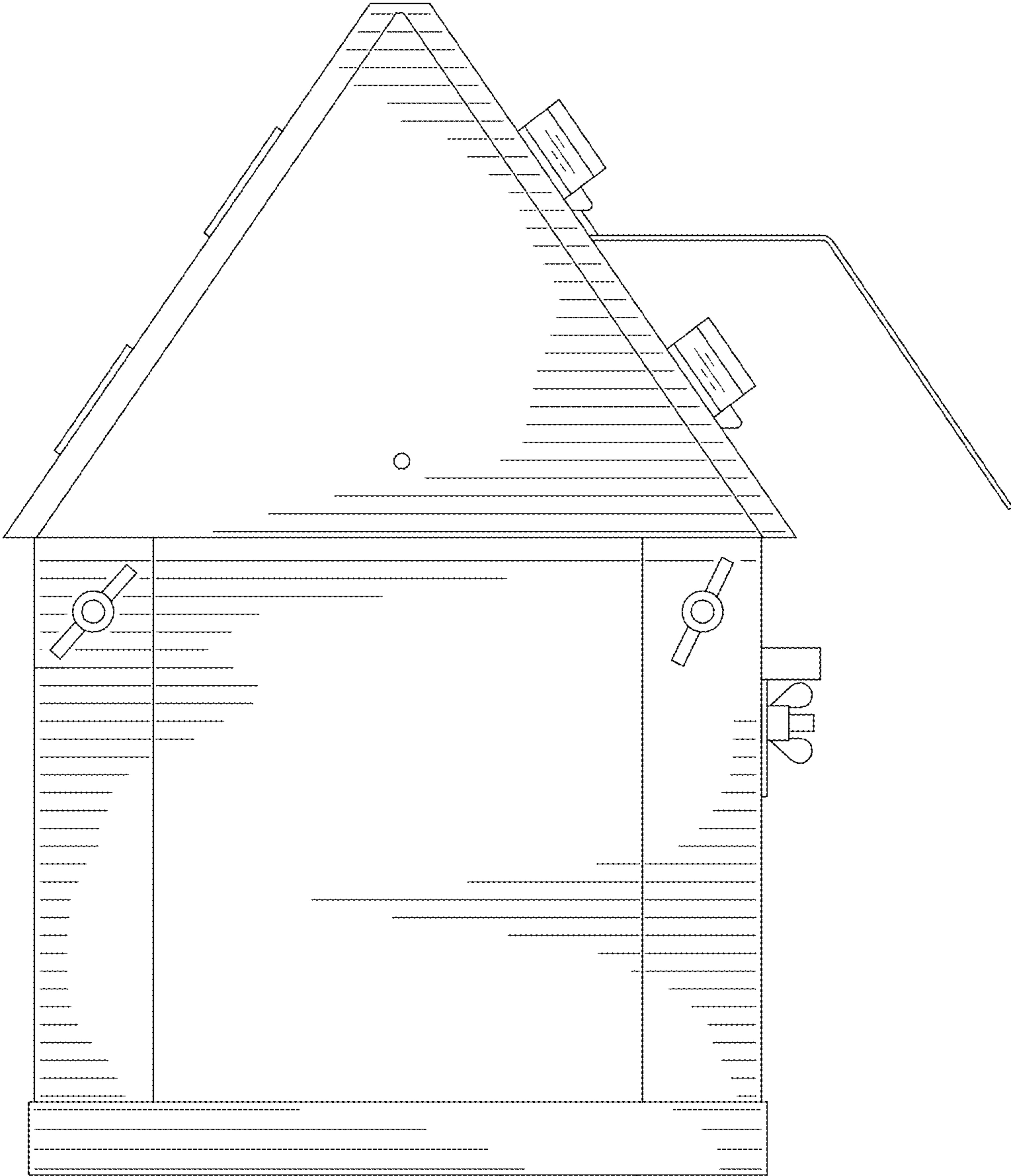


FIG. 3

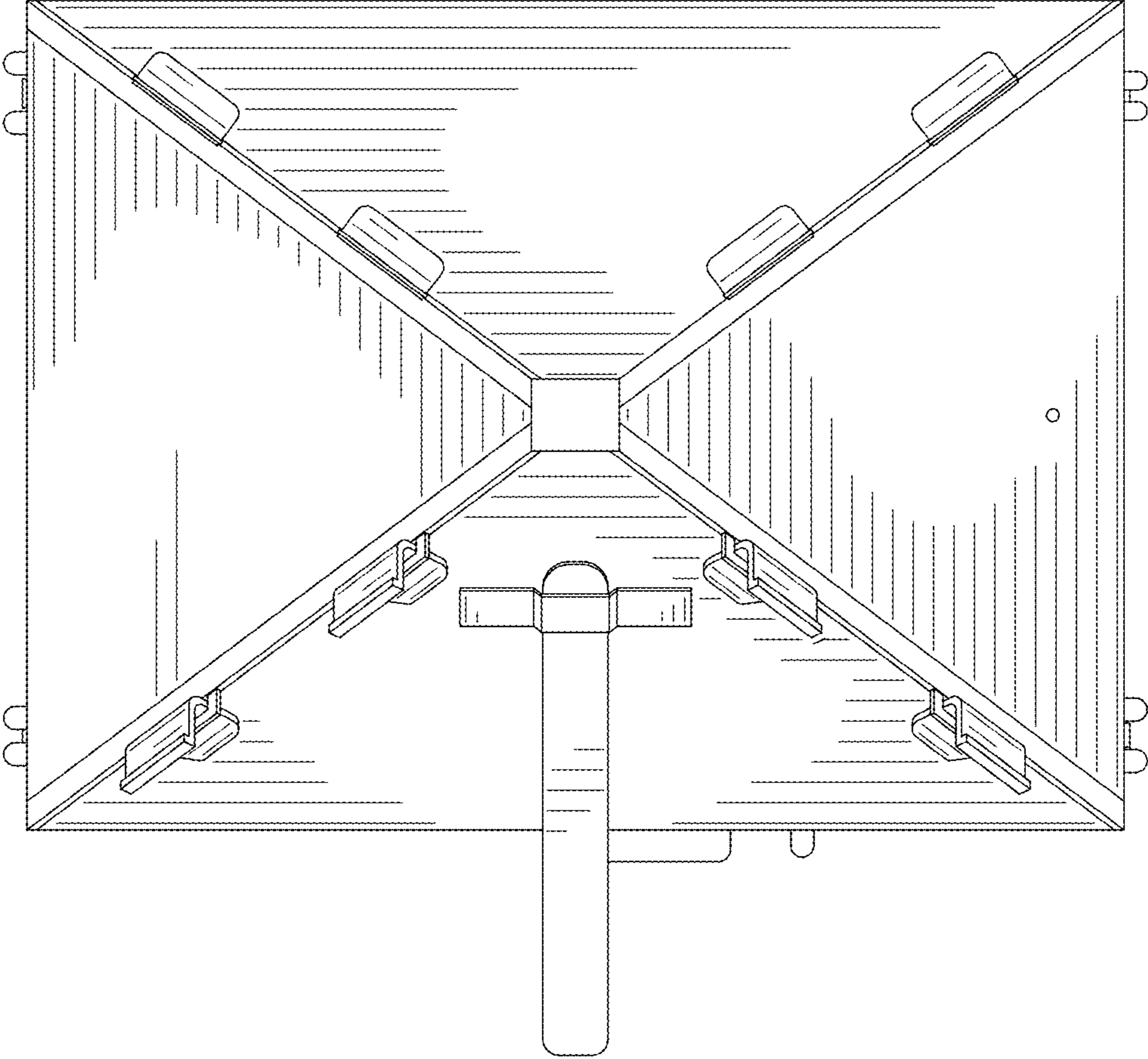


FIG. 4

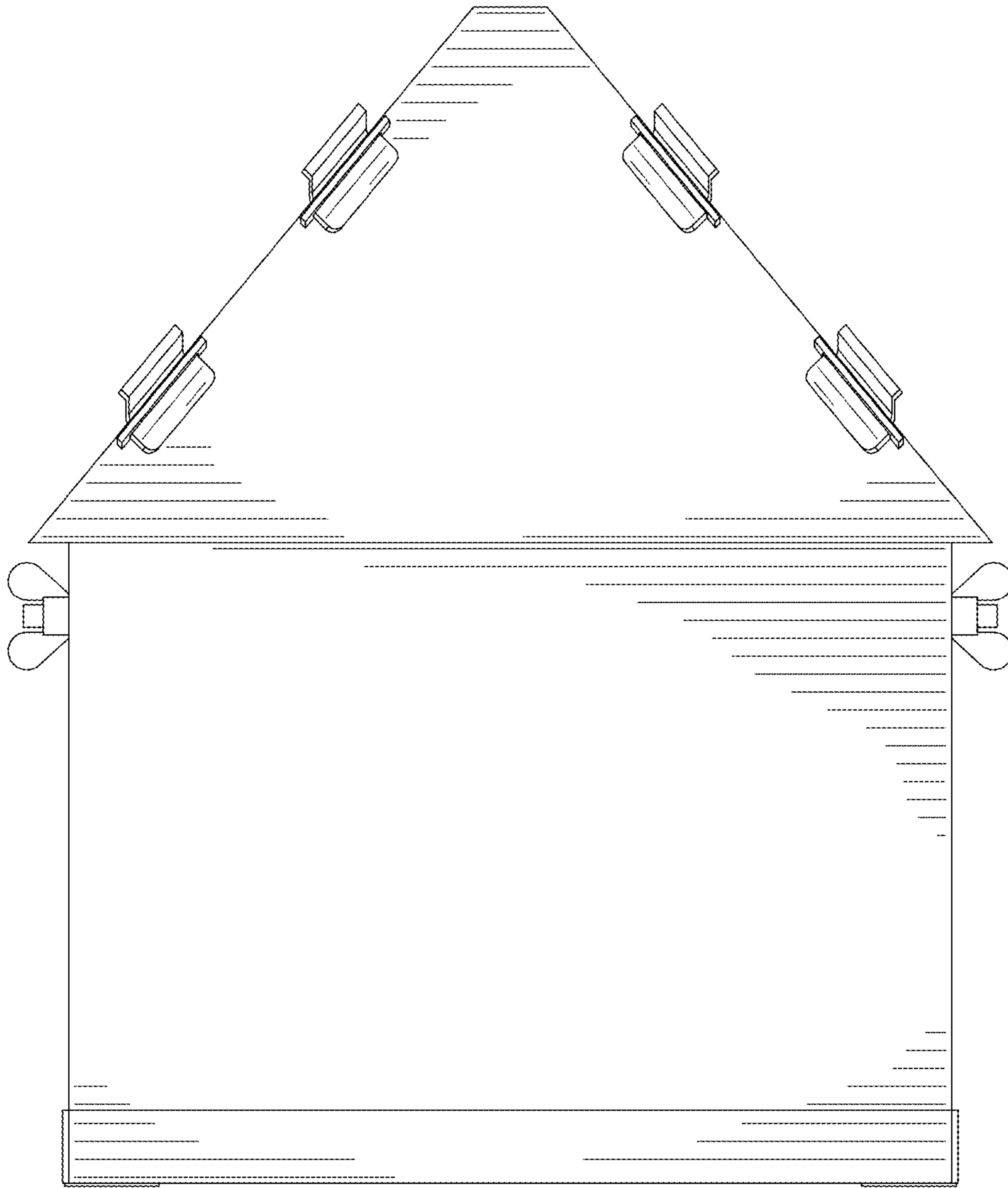


FIG. 5

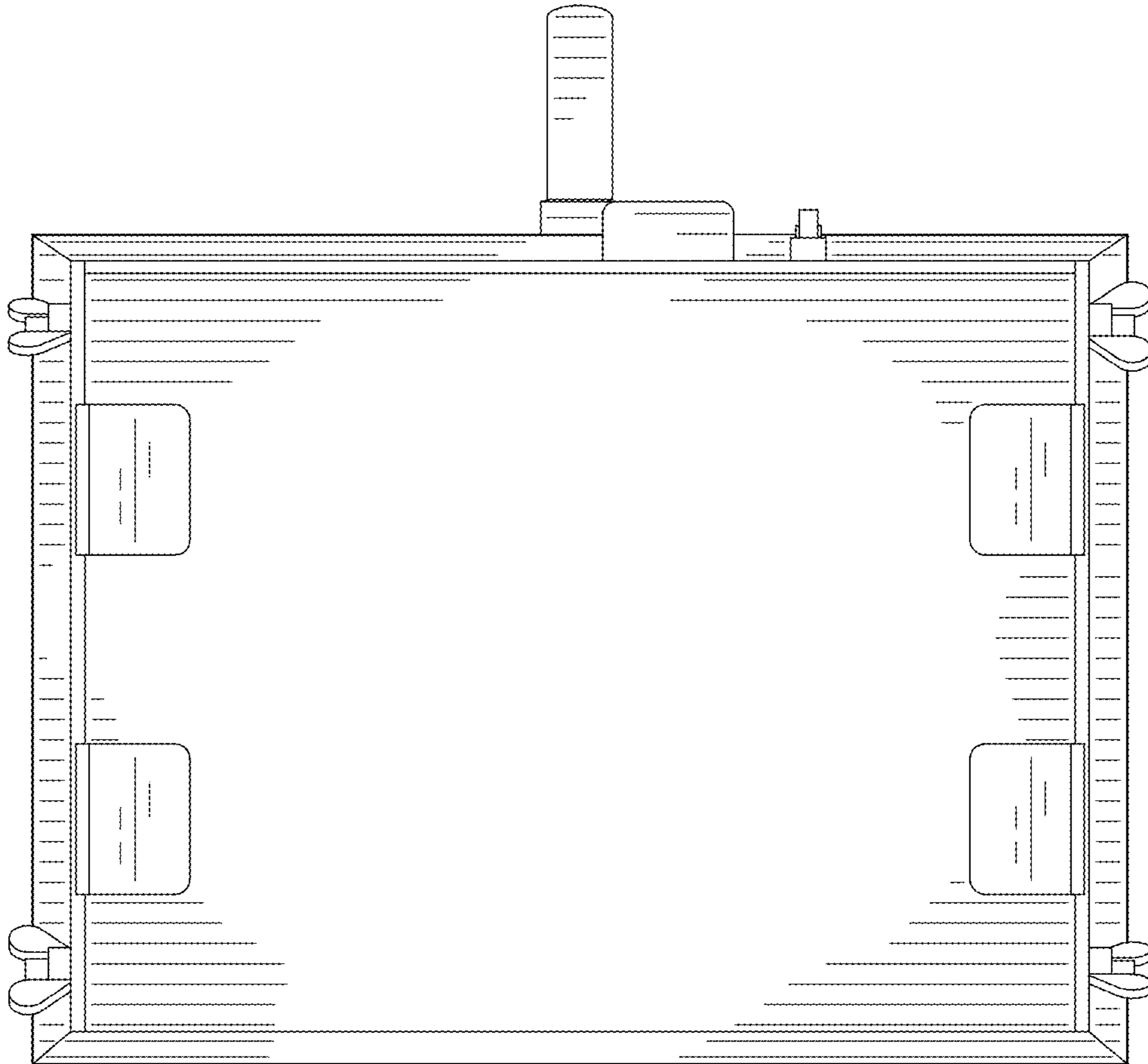


FIG. 6

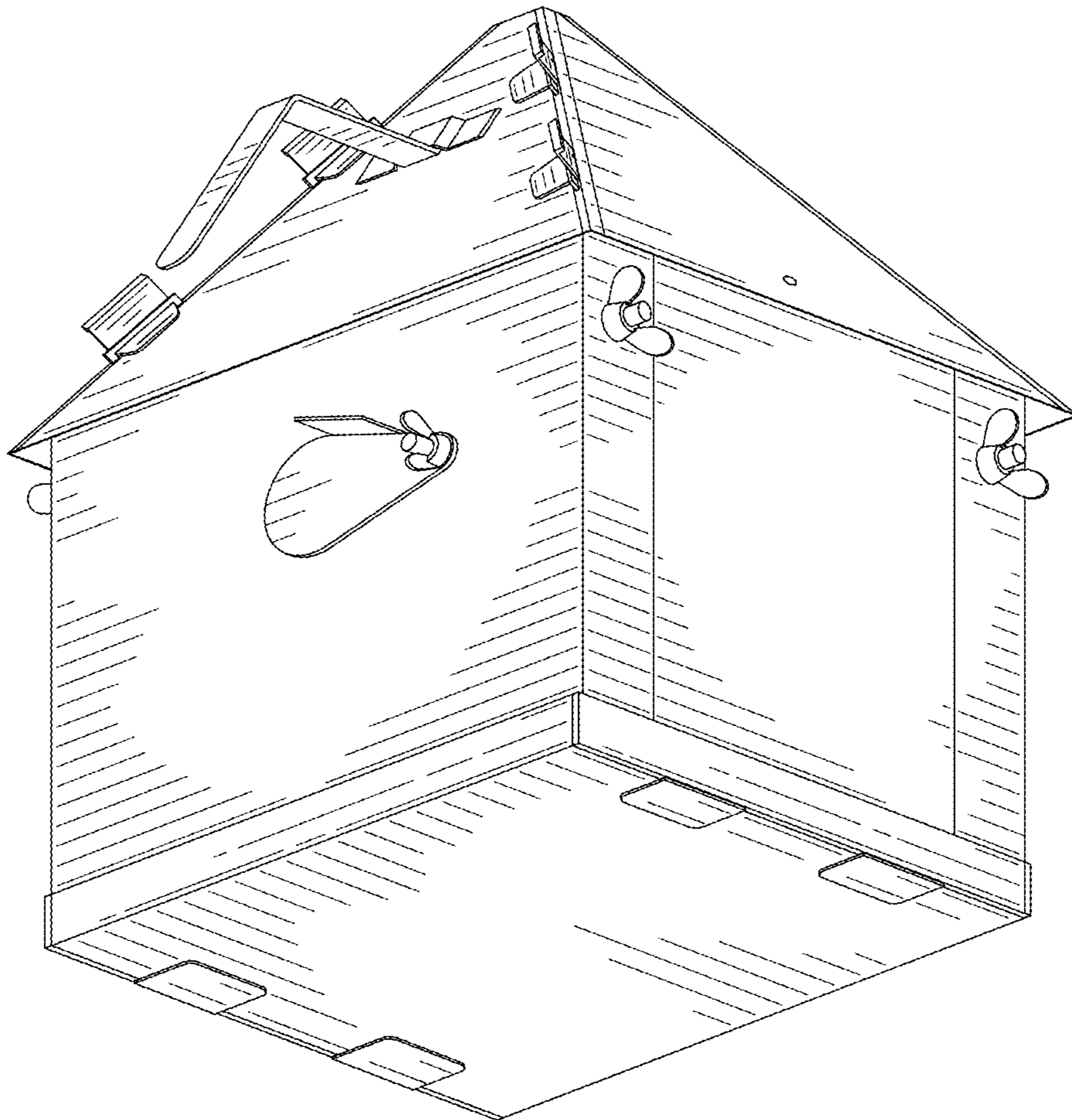


FIG. 7

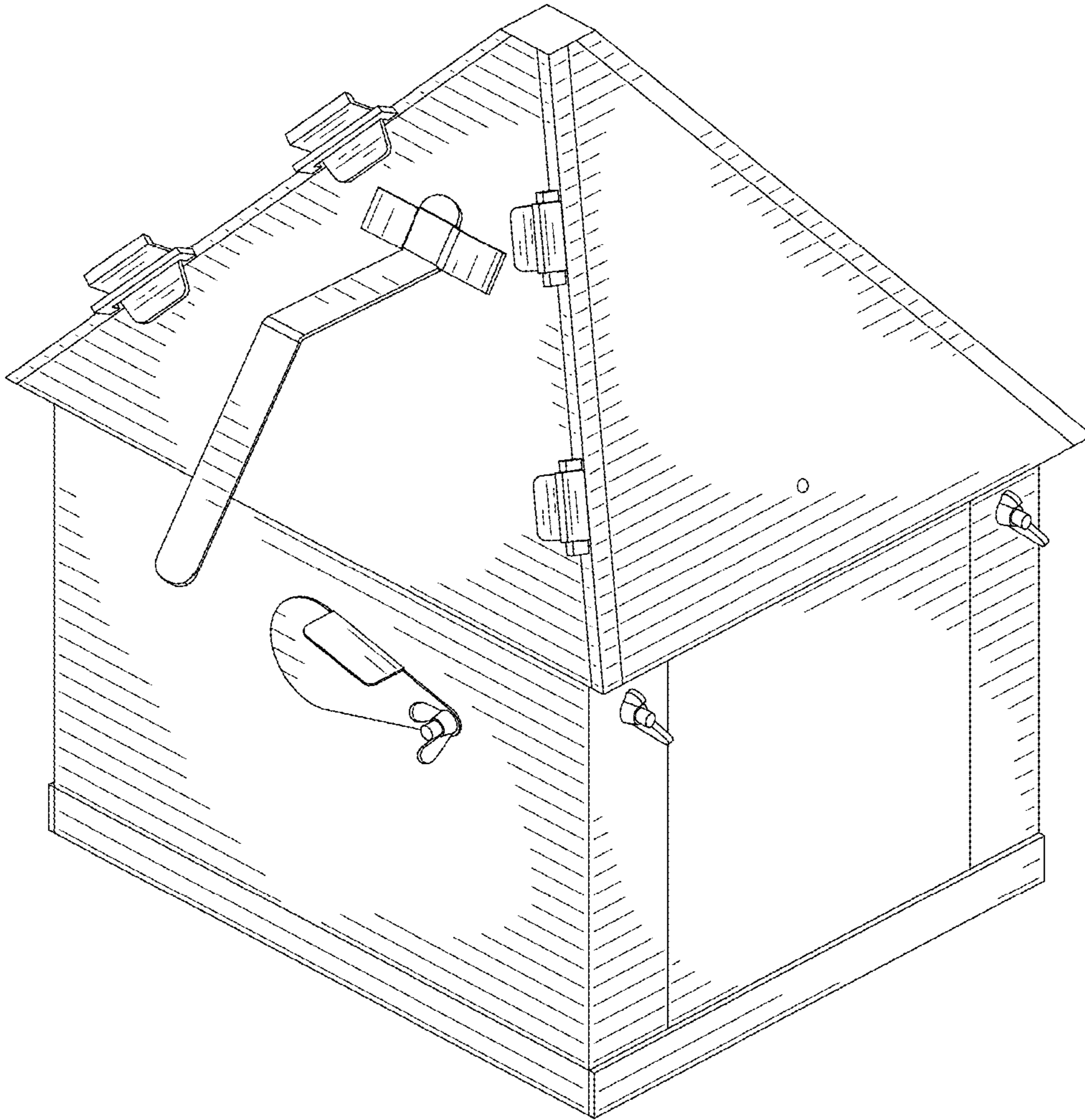


FIG. 8

FIG. 9

