



US00D769663S

(12) **United States Design Patent**  
**Palermo et al.**

(10) **Patent No.:** **US D769,663 S**  
(45) **Date of Patent:** **\*\* Oct. 25, 2016**

- (54) **HOT BEVERAGE MAKER**
- (71) Applicant: **Sunbeam Products, Inc.**, Boca Raton, FL (US)
- (72) Inventors: **Joseph Palermo**, Boynton Beach, FL (US); **William Travis Lintner**, Winston-Salem, NC (US)
- (73) Assignee: **Sunbeam Products, Inc.**, Boca Raton, FL (US)

D594,688 S *	6/2009	Hammad	.....	D7/306
D622,999 S *	9/2010	MuraYOU	.....	D7/306
D649,826 S *	12/2011	Garman	.....	D7/306
D658,423 S *	5/2012	Curtis	.....	D7/306
D666,451 S *	9/2012	Cheng	.....	D7/309
D703,476 S *	4/2014	Behar	.....	D7/306
D718,414 S *	11/2014	Lo	.....	D23/207
D734,635 S *	7/2015	Behar	.....	D7/306
D755,001 S *	5/2016	Lintner	.....	D7/306
D758,149 S *	6/2016	Wong	.....	D7/693
2013/0004629 A1 *	1/2013	Clark	.....	A47J 31/4467 426/231

(\*\*) Term: **15 Years**

\* cited by examiner

(21) Appl. No.: **29/529,476**

*Primary Examiner* — Marianne Pandozzi

(22) Filed: **Jun. 8, 2015**

(74) *Attorney, Agent, or Firm* — Michael J. Corrigan

(51) **LOC (10) Cl.** ..... **07-01**

(52) **U.S. Cl.**  
USPC ..... **D7/306; D7/311**

(58) **Field of Classification Search**  
USPC ..... D7/306–311, 305, 300, 397, 398, 399, D7/400; 99/279, 284, 290, 280, 299, 307, 99/297, 295, 323, 275, 281, 300, 302 R, 99/282, 288; 426/433; D20/4, 5, 1  
CPC ..... A47J 31/44; A47J 31/00; A47J 31/46; A47J 31/10; A47J 31/56; A47J 31/42; A47J 431/4482; A47J 27/2105; A47J 31/4403; A47J 31/32; A47J 31/4457; A47J 31/52; A47J 31/0573; A47J 31/545; B65D 81/3266

See application file for complete search history.

(56) **References Cited**

**U.S. PATENT DOCUMENTS**

4,464,981 A *	8/1984	Stover	.....	A47J 31/057 99/280
7,444,924 B2 *	11/2008	Laigneau	.....	A47J 31/3676 99/280

(57) **CLAIM**

The ornamental design for the hot beverage maker, as shown and described.

**DESCRIPTION**

FIG. 1 is a front perspective view of a hot beverage maker showing our new design;

FIG. 2 is a front view thereof;

FIG. 3 is a rear view thereof;

FIG. 4 is a left side view thereof;

FIG. 5 is a right side view thereof; and,

FIG. 6 is a top plan view thereof.

The broken lines depict portions of the hot beverage maker that form no part of the claimed design.

**1 Claim, 3 Drawing Sheets**

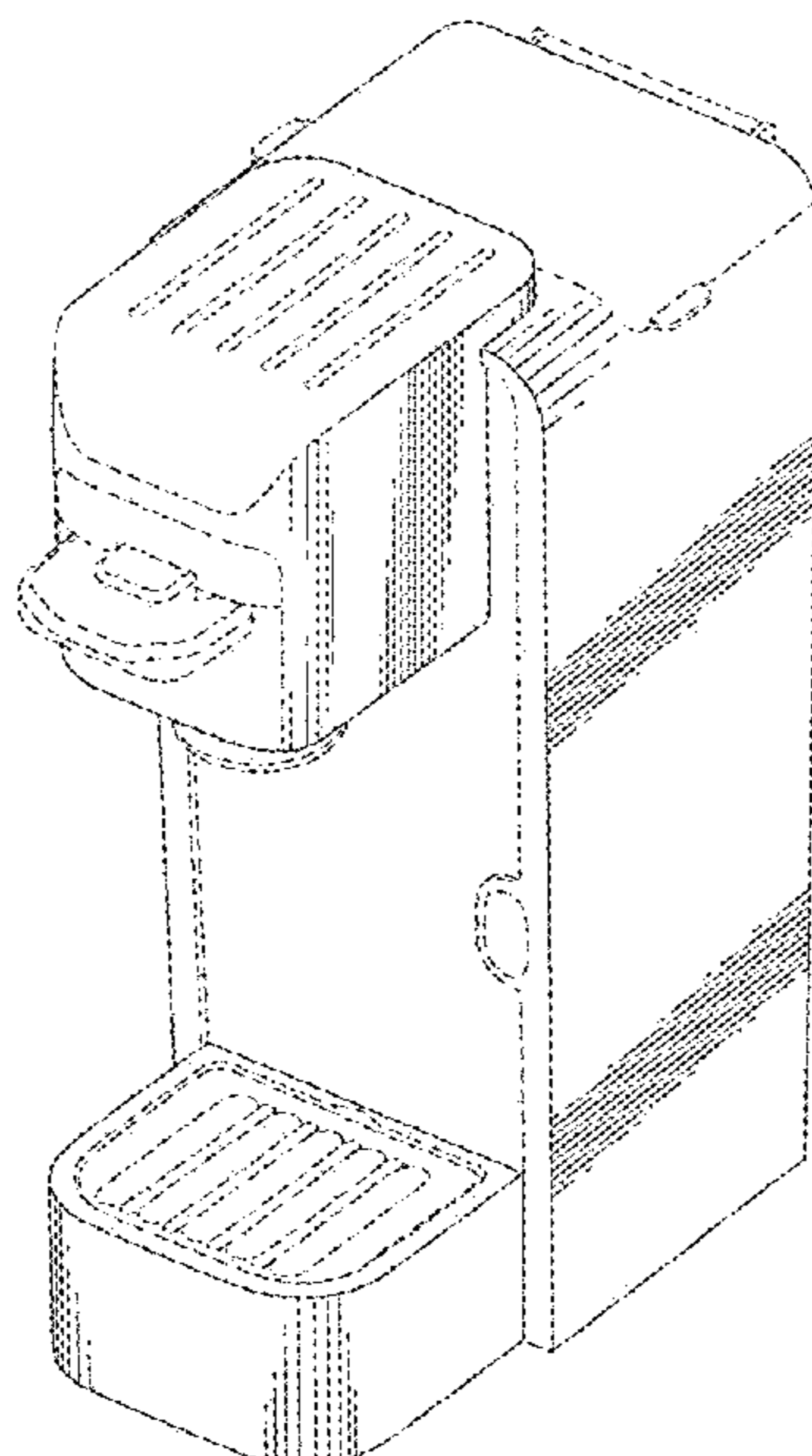


FIG. 1

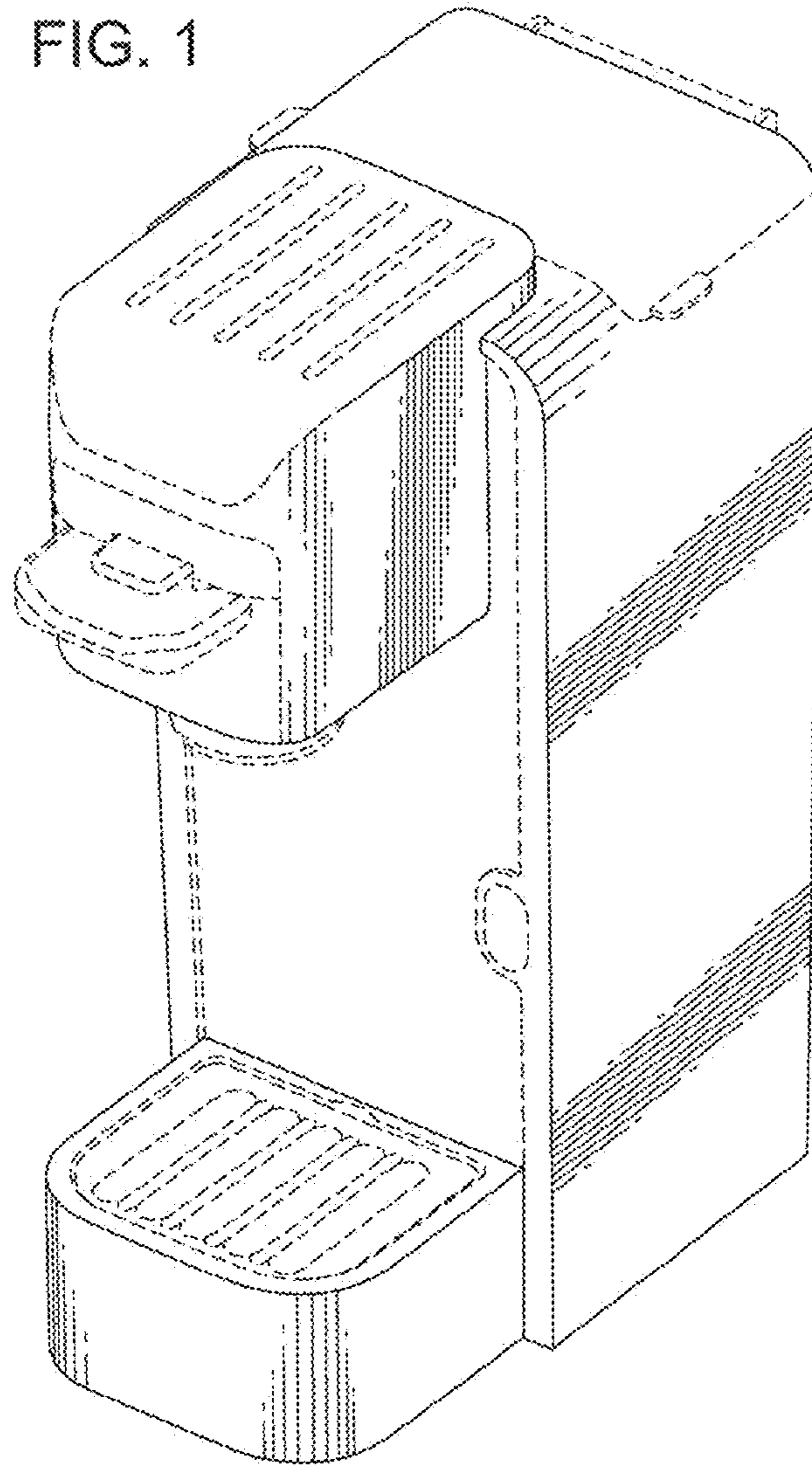


FIG. 6

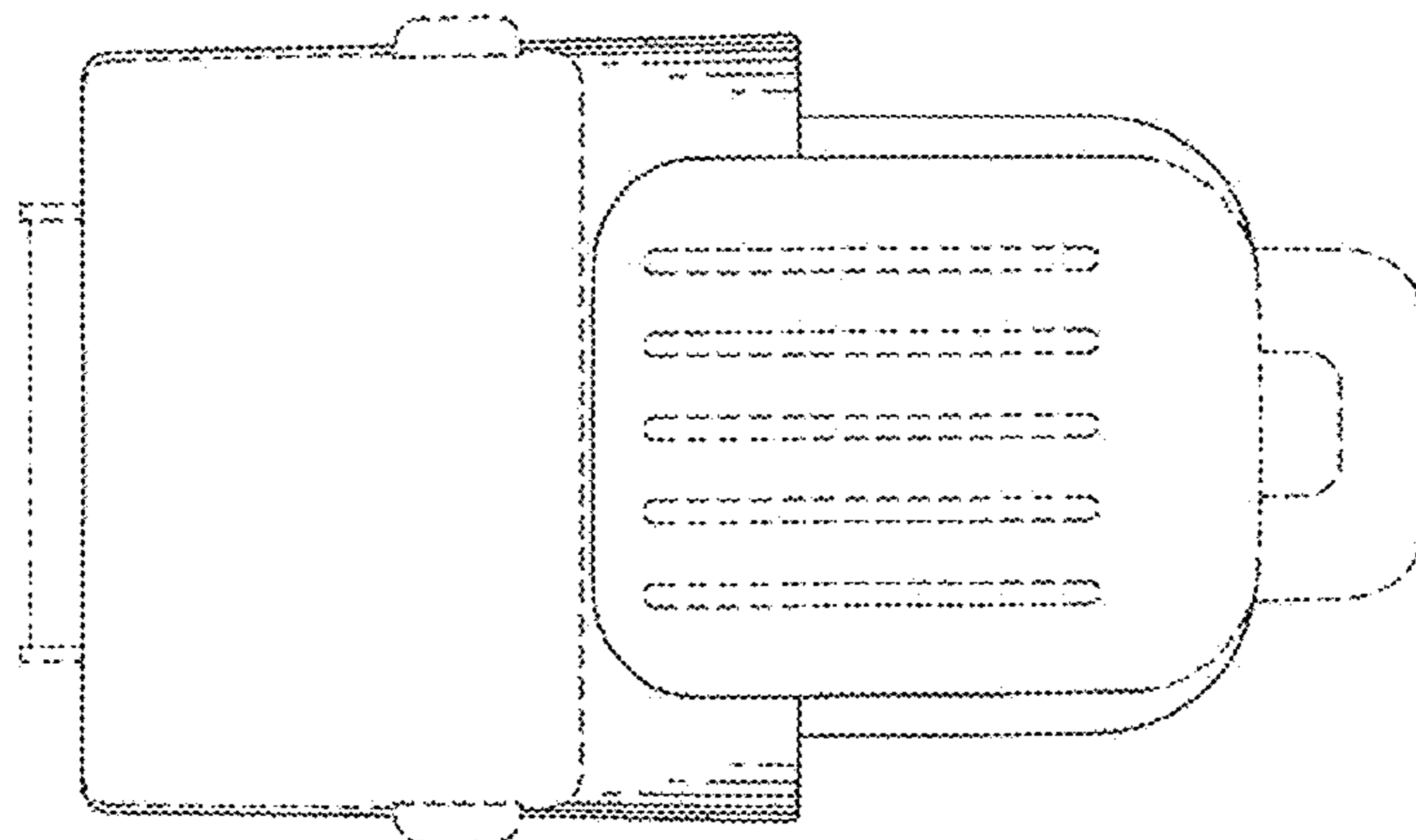


FIG. 2

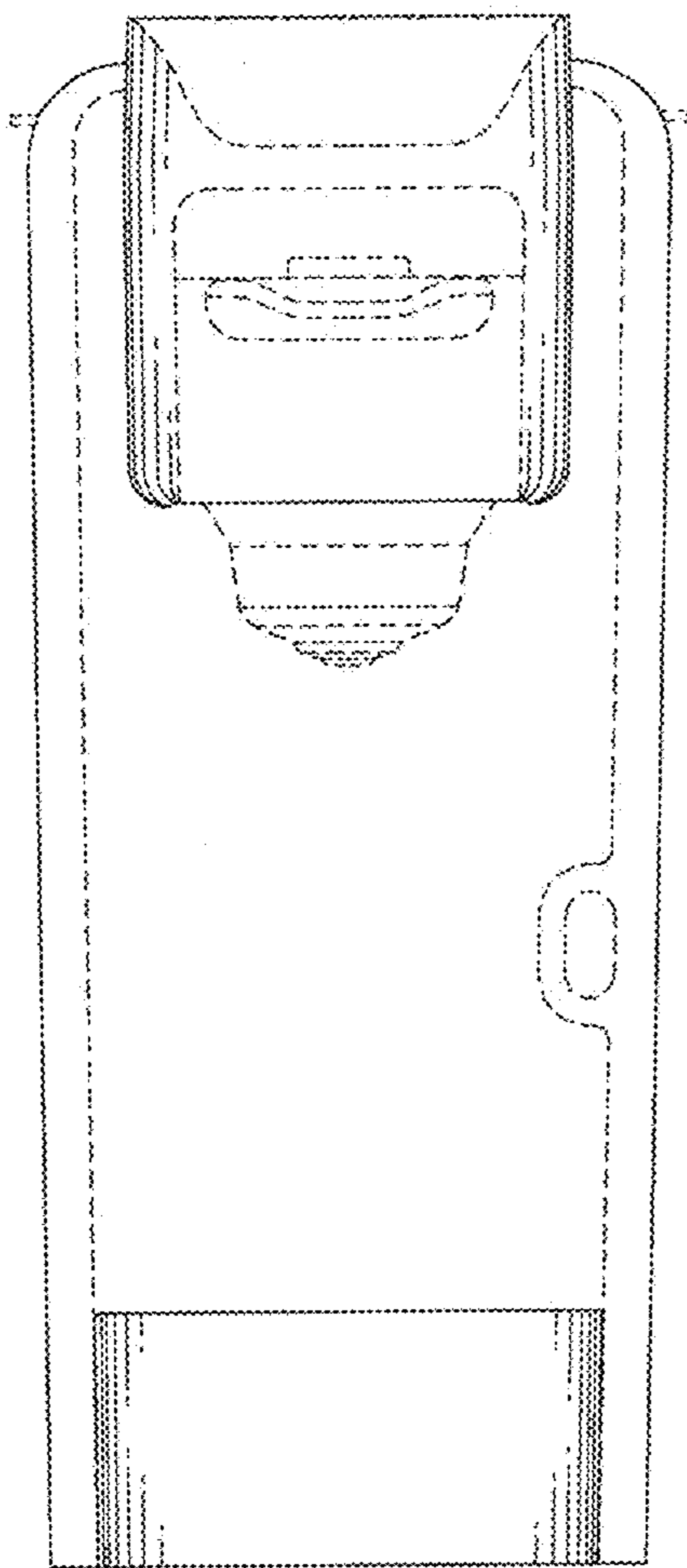


FIG. 3

