

US00D769662S

(12) **United States Design Patent** (10) **Patent No.:** **US D769,662 S**
Palermo et al. (45) **Date of Patent:** **** Oct. 25, 2016**

(54) **HOT BEVERAGE MAKER**

(56) **References Cited**

(71) Applicant: **Sunbeam Products, Inc.**, Boca Raton, FL (US)

U.S. PATENT DOCUMENTS

(72) Inventors: **Joseph Palermo**, Boynton Beach, FL (US); **Augusto A. Picozza**, Boca Raton, FL (US); **Aaron Abroff**, Acton, MA (US)

D324,150 S *	2/1992	De Felip	D7/309
D327,601 S *	7/1992	Beeren	D7/309
D381,237 S *	7/1997	De'Longhi	D7/309
D409,875 S *	5/1999	Alonge	D7/309
D654,755 S *	2/2012	Gresko	D7/307
D686,033 S *	7/2013	Burton	D7/306
D689,726 S *	9/2013	Romandy	D7/309
D697,356 S *	1/2014	Choi	D23/207
D709,722 S *	7/2014	Luippold	D7/305
D713,668 S *	9/2014	Metaxatos	D7/309
D733,481 S *	7/2015	Rousselin	D7/306
D752,910 S *	4/2016	Tomasson	D7/307

(73) Assignee: **Sunbeam Products, Inc.**, Boca Raton, FL (US)

(**) Term: **14 Years**

* cited by examiner

(21) Appl. No.: **29/525,273**

Primary Examiner — Marianne Pandozzi

(22) Filed: **Apr. 28, 2015**

(74) *Attorney, Agent, or Firm* — Michael J. Corrigan

(51) **LOC (10) Cl.** **07-01**

(57) **CLAIM**

(52) **U.S. Cl.**

The ornamental design for the hot beverage maker, as shown and described.

USPC **D7/306**; D7/311; D7/309

(58) **Field of Classification Search**

DESCRIPTION

USPC D7/306-311, 305, 300, 397, 398, 399, D7/400; 99/279, 284, 290, 280, 299, 307, 99/297, 295, 323, 275, 281, 300, 302 R, 99/282, 288; 426/433; D20/4, 5, 1
CPC A47J 31/44; A47J 31/00; A47J 31/46; A47J 31/10; A47J 31/56; A47J 31/42; A47J 431/4482; A47J 27/2105; A47J 31/4403; A47J 31/32; A47J 31/4457; A47J 31/52; A47J 31/0573; A47J 31/545; B65D 81/3266

FIG. 1 is a front perspective view of a hot beverage maker showing our new design;
FIG. 2 is a front view thereof;
FIG. 3 is a rear view thereof;
FIG. 4 is a left side view thereof;
FIG. 5 is a right side view thereof; and,
FIG. 6 is a top plan view thereof.
The broken lines depict portions of the hot beverage maker that form no part of the claimed design.

See application file for complete search history.

1 Claim, 3 Drawing Sheets

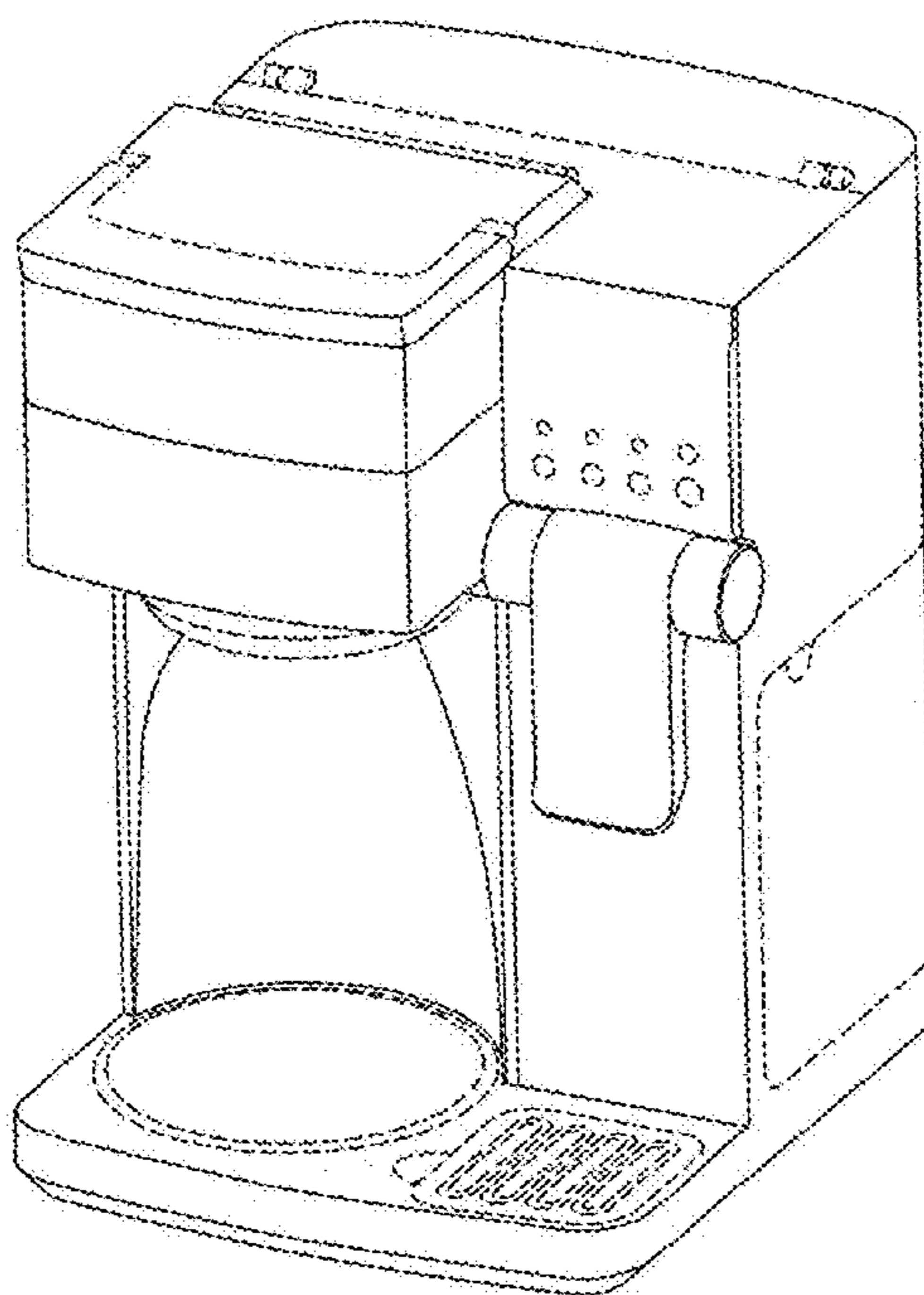


FIG. 1

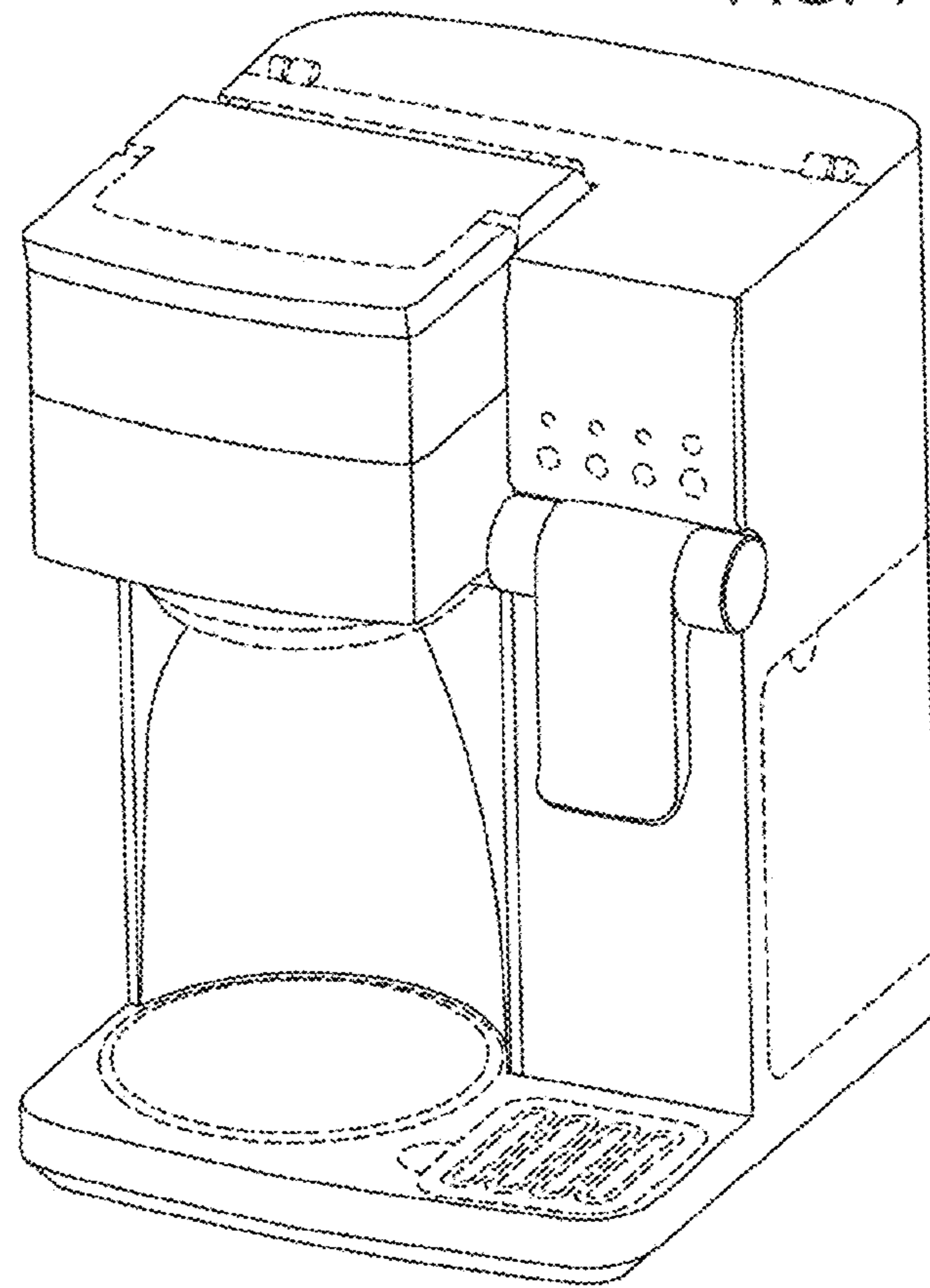


FIG. 6

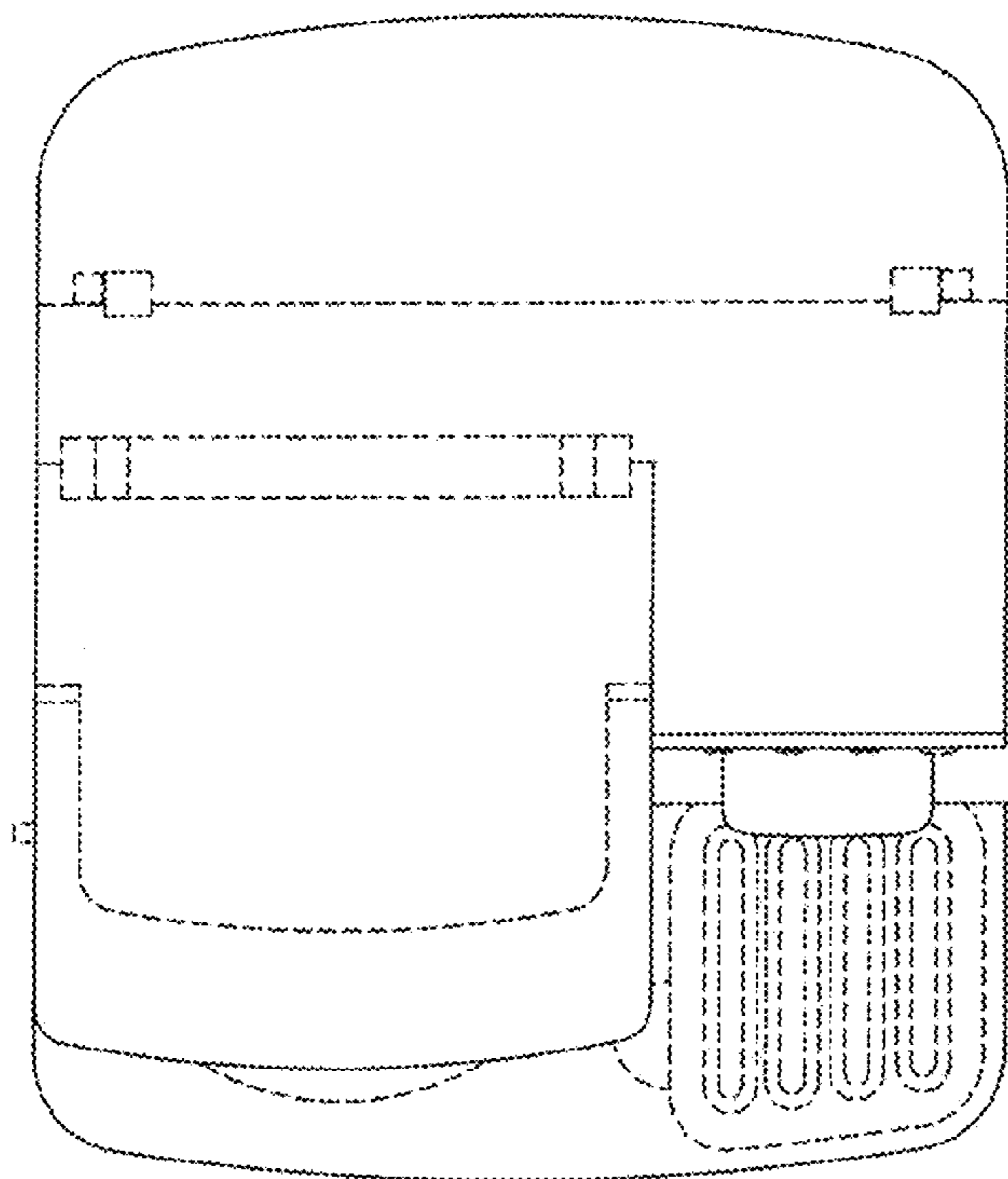


FIG. 3

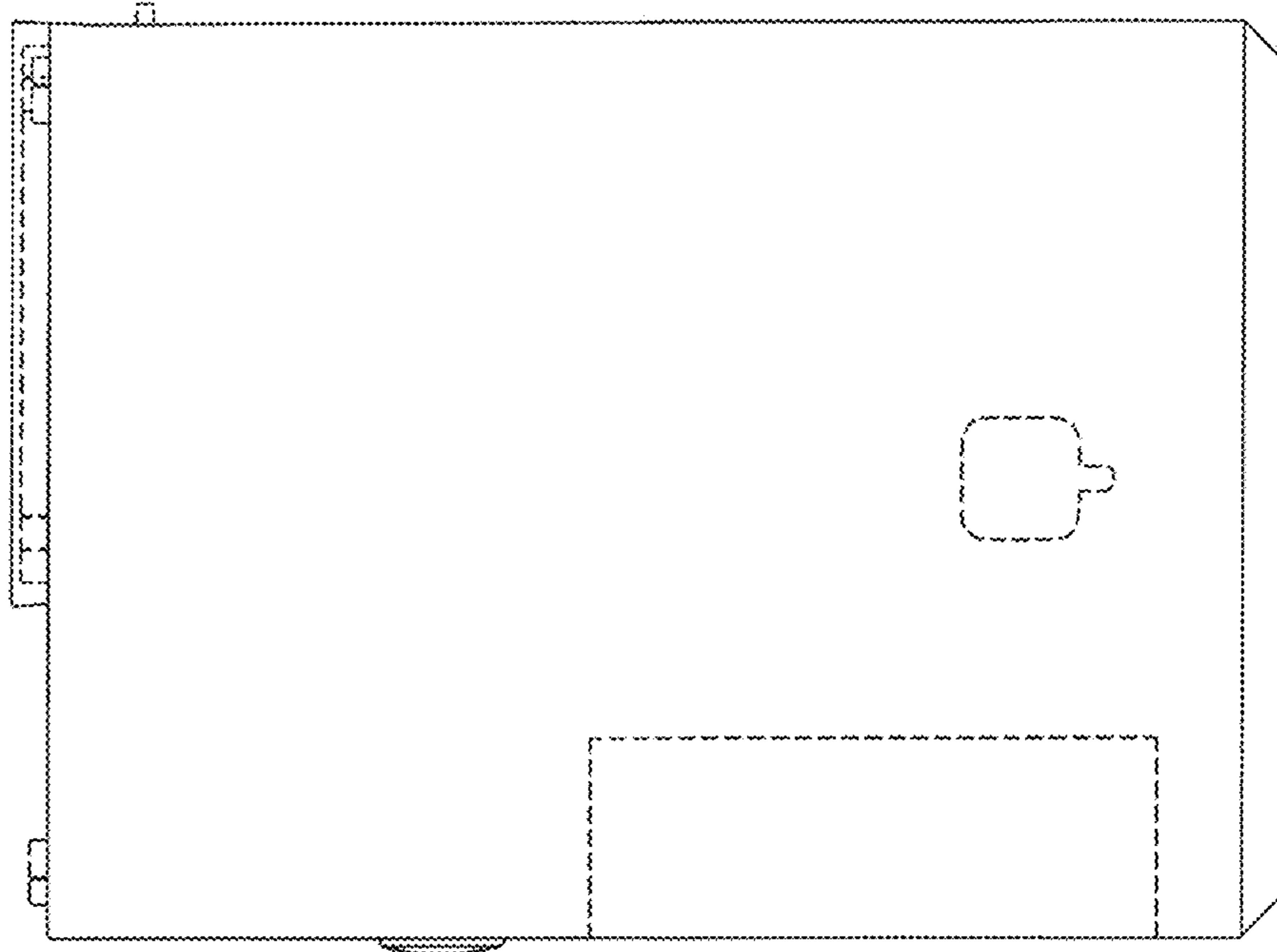


FIG. 2

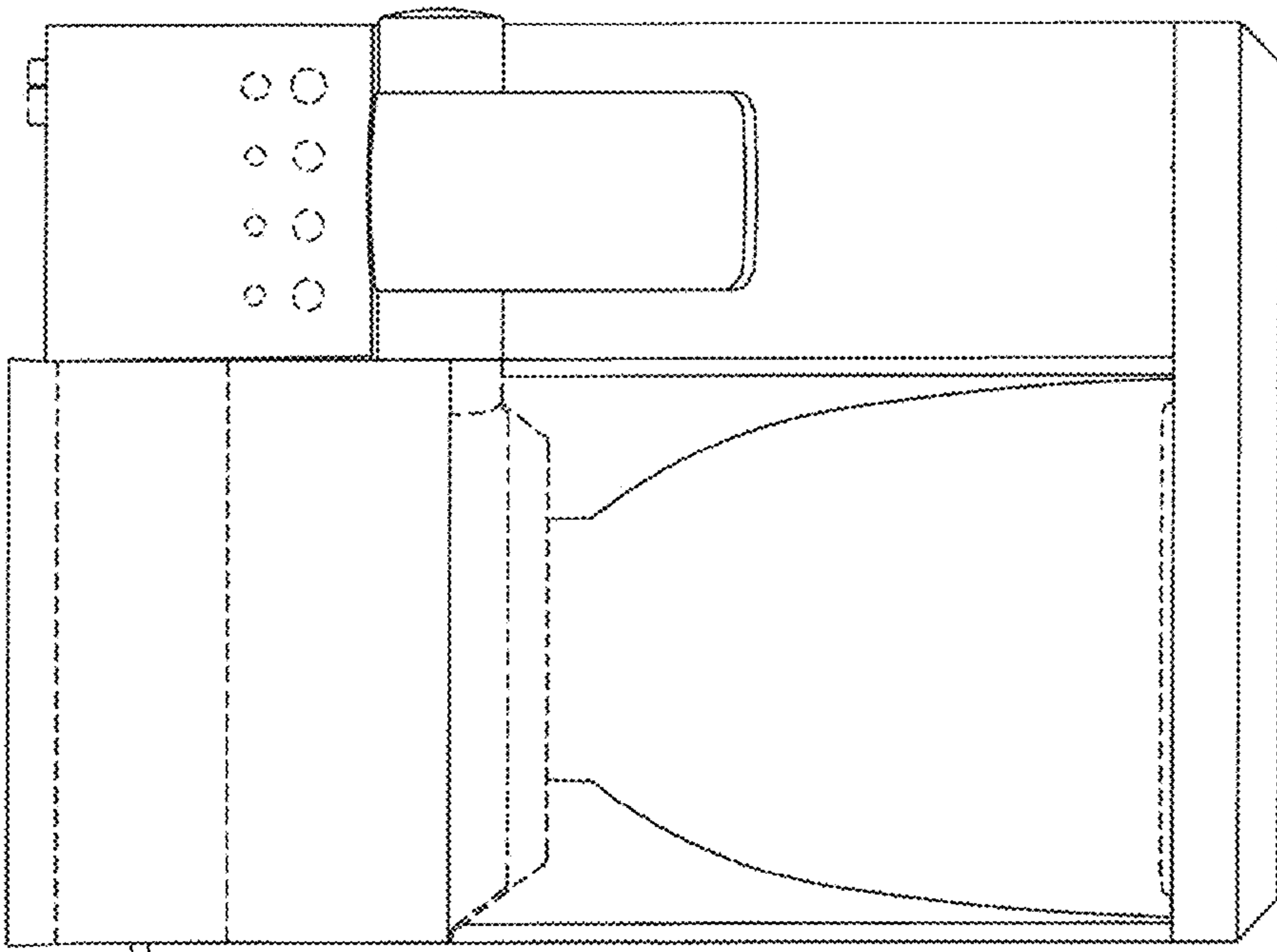


FIG. 5

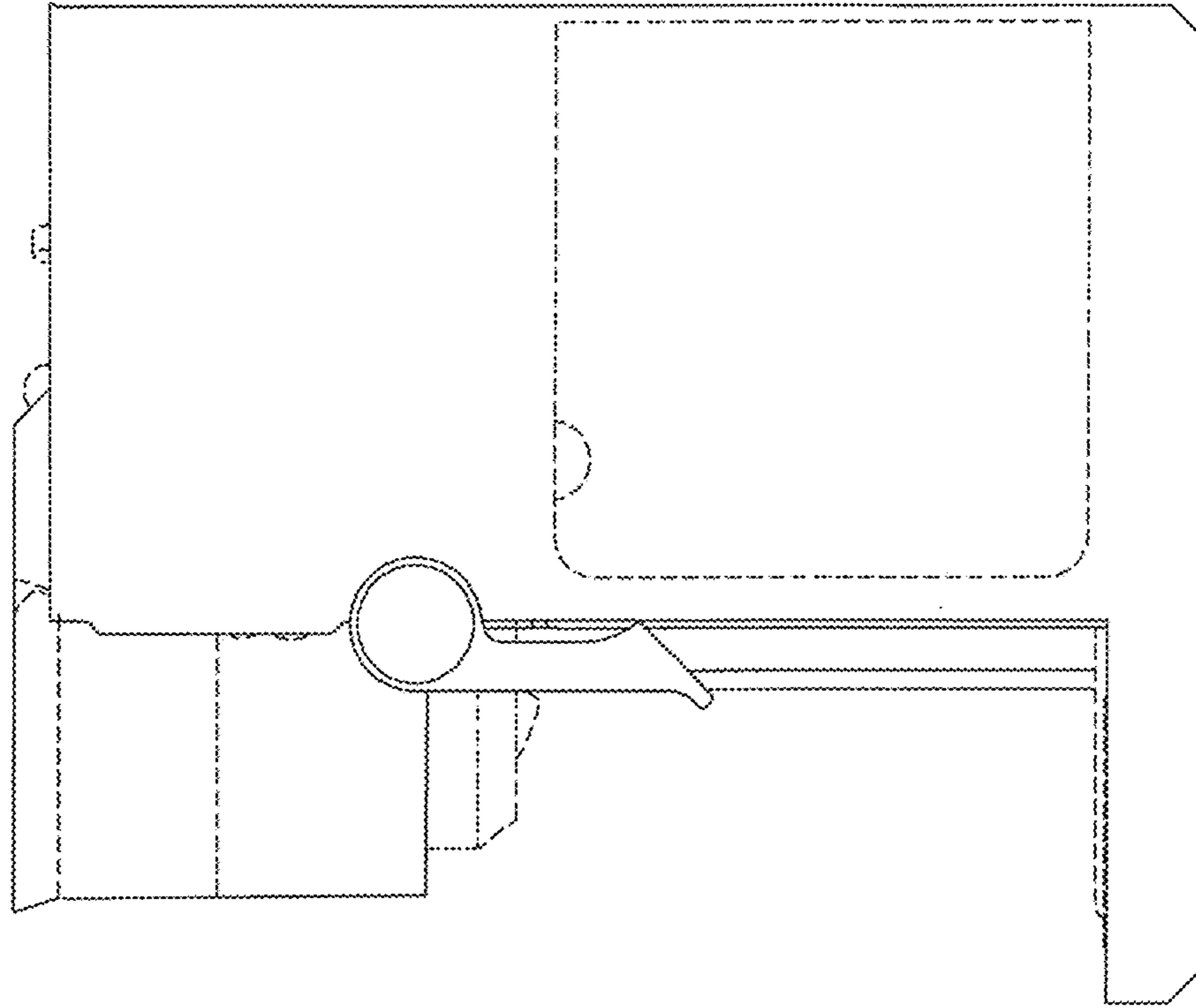


FIG. 4

