



US00D769661S

(12) **United States Design Patent** (10) **Patent No.:** **US D769,661 S**  
**Palermo et al.** (45) **Date of Patent:** **\*\* Oct. 25, 2016**

(54) **HOT BEVERAGE MAKER**

(71) Applicant: **Sunbeam Products, Inc.**, Boca Raton, FL (US)

(72) Inventors: **Joseph Palermo**, Boynton Beach, FL (US); **Michel Alvarez**, Miami Beach, FL (US)

(73) Assignee: **Sunbeam Products, Inc.**, Boca Raton, FL (US)

(\*\*) Term: **14 Years**

(21) Appl. No.: **29/521,377**

(22) Filed: **Mar. 23, 2015**

(51) **LOC (10) Cl.** ..... **07-01**

(52) **U.S. Cl.**

USPC ..... **D7/306**; D7/311; D7/309; D7/310

(58) **Field of Classification Search**

USPC ..... D7/306-311, 305, 300, 397, 398, 399, D7/400; 99/279, 284, 290, 280, 299, 307, 99/297, 295, 323, 275, 281, 300, 302 R, 99/282, 288; 426/433; D20/4, 5, 1  
 CPC ..... A47J 31/44; A47J 31/00; A47J 31/46; A47J 31/10; A47J 31/56; A47J 31/42; A47J 431/4482; A47J 27/2105; A47J 31/4403; A47J 31/32; A47J 31/4457; A47J 31/52; A47J 31/0573; A47J 31/545; B65D 81/3266

See application file for complete search history.

(56) **References Cited**

**U.S. PATENT DOCUMENTS**

D502,628 S \* 3/2005 Ledingham ..... D7/309  
 D546,112 S \* 7/2007 Rorke ..... D7/309

D553,897 S \* 10/2007 De' Longhi ..... D7/309  
 D571,598 S \* 6/2008 Moore ..... D7/306  
 D586,171 S \* 2/2009 Picozza ..... D7/306  
 D600,491 S \* 9/2009 Hammad ..... D7/306  
 D620,302 S \* 7/2010 Picozza ..... D7/306  
 D622,999 S \* 9/2010 Murauyou ..... D7/306  
 D696,056 S \* 12/2013 Hong ..... D7/309  
 D702,477 S \* 4/2014 Hong ..... D7/309  
 D719,776 S \* 12/2014 Kunz ..... D7/309  
 D726,483 S \* 4/2015 Lin ..... D7/309  
 D735,527 S \* 8/2015 Palermo ..... D7/309  
 D757,477 S \* 5/2016 Wang ..... D7/306  
 D758,118 S \* 6/2016 Palermo ..... D7/306

\* cited by examiner

*Primary Examiner* — Marianne Pandozzi

(74) *Attorney, Agent, or Firm* — Michael J. Corrigan

(57) **CLAIM**

The ornamental design for the hot beverage maker, as shown and described.

**DESCRIPTION**

FIG. 1 is a front perspective view of a hot beverage maker showing our new design;  
 FIG. 2 is a front view thereof;  
 FIG. 3 is a rear view thereof;  
 FIG. 4 is a left side view thereof;  
 FIG. 5 is a right side view thereof; and,  
 FIG. 6 is a top plan view thereof.  
 The broken lines depict portions of the hot beverage maker that form no part of the claimed design.

**1 Claim, 3 Drawing Sheets**

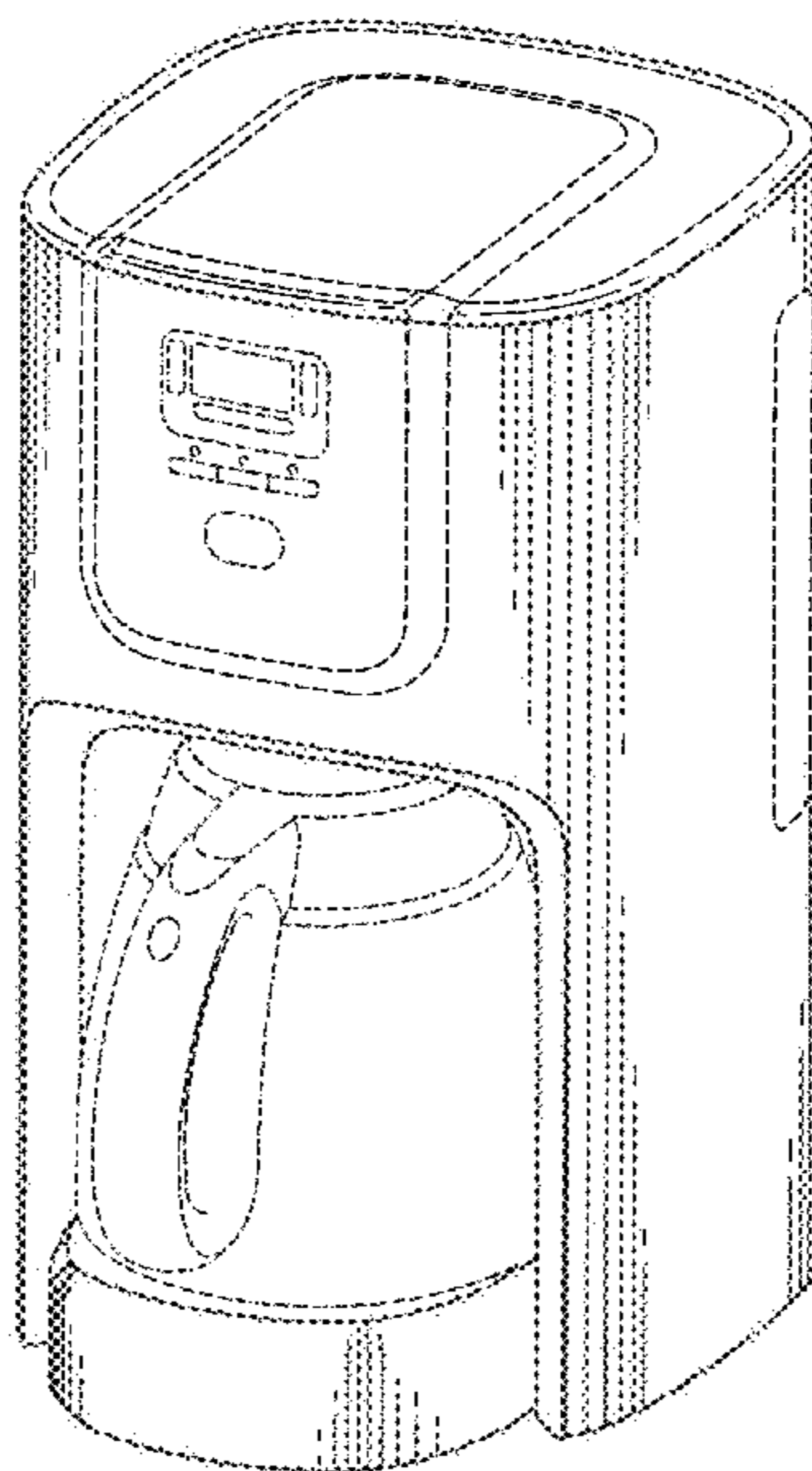


FIG. 1

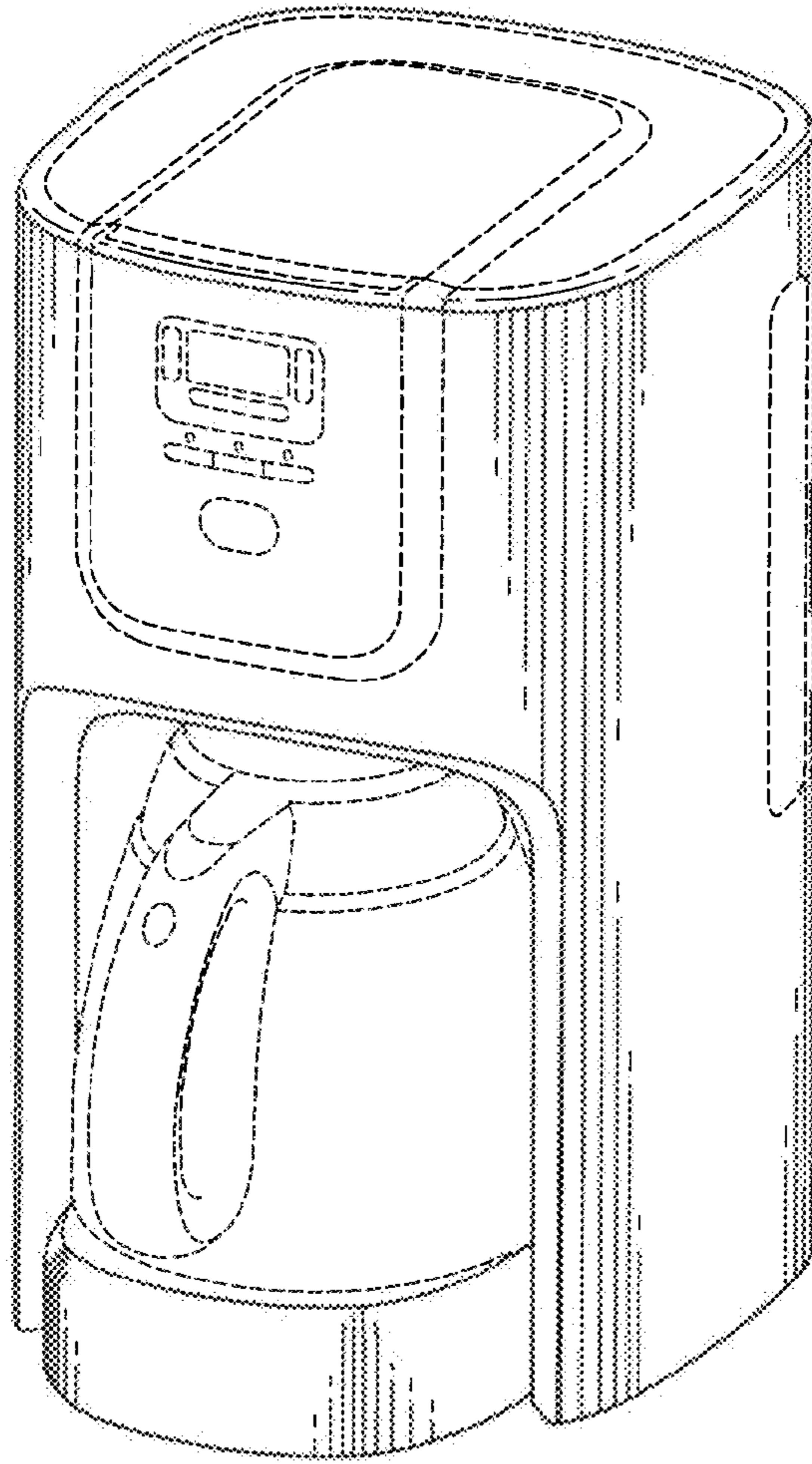


FIG. 6

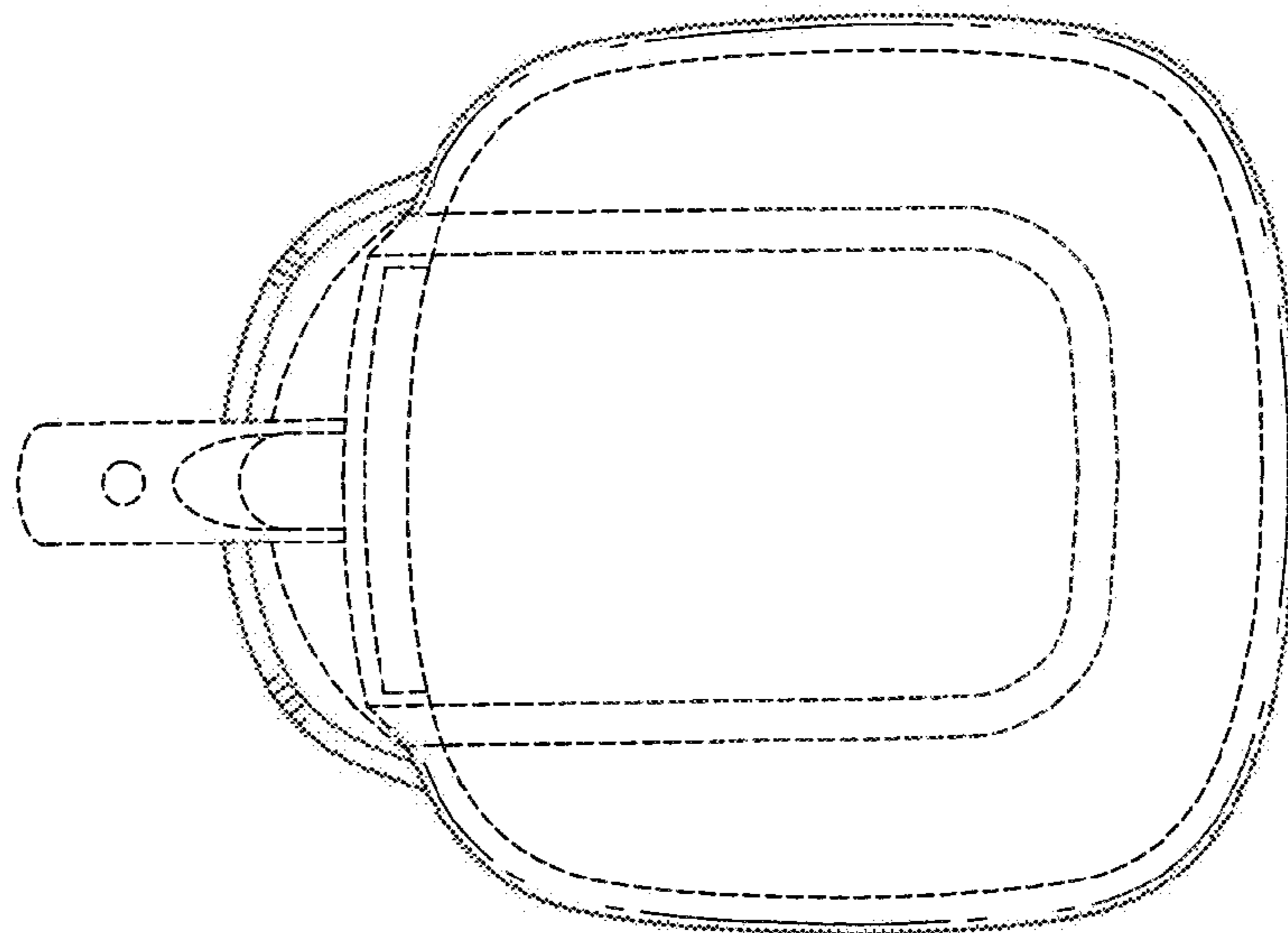


FIG. 2

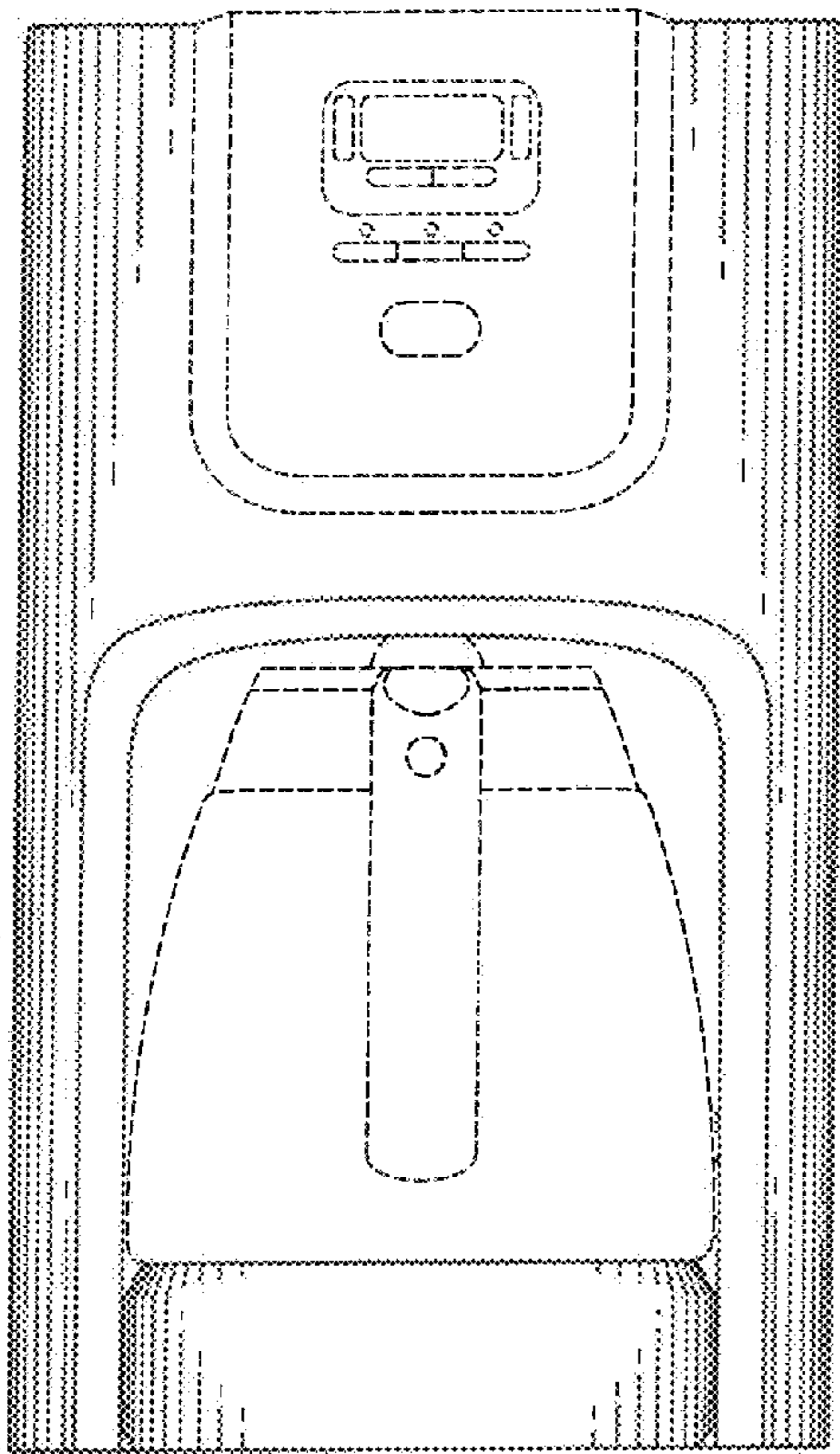


FIG. 3

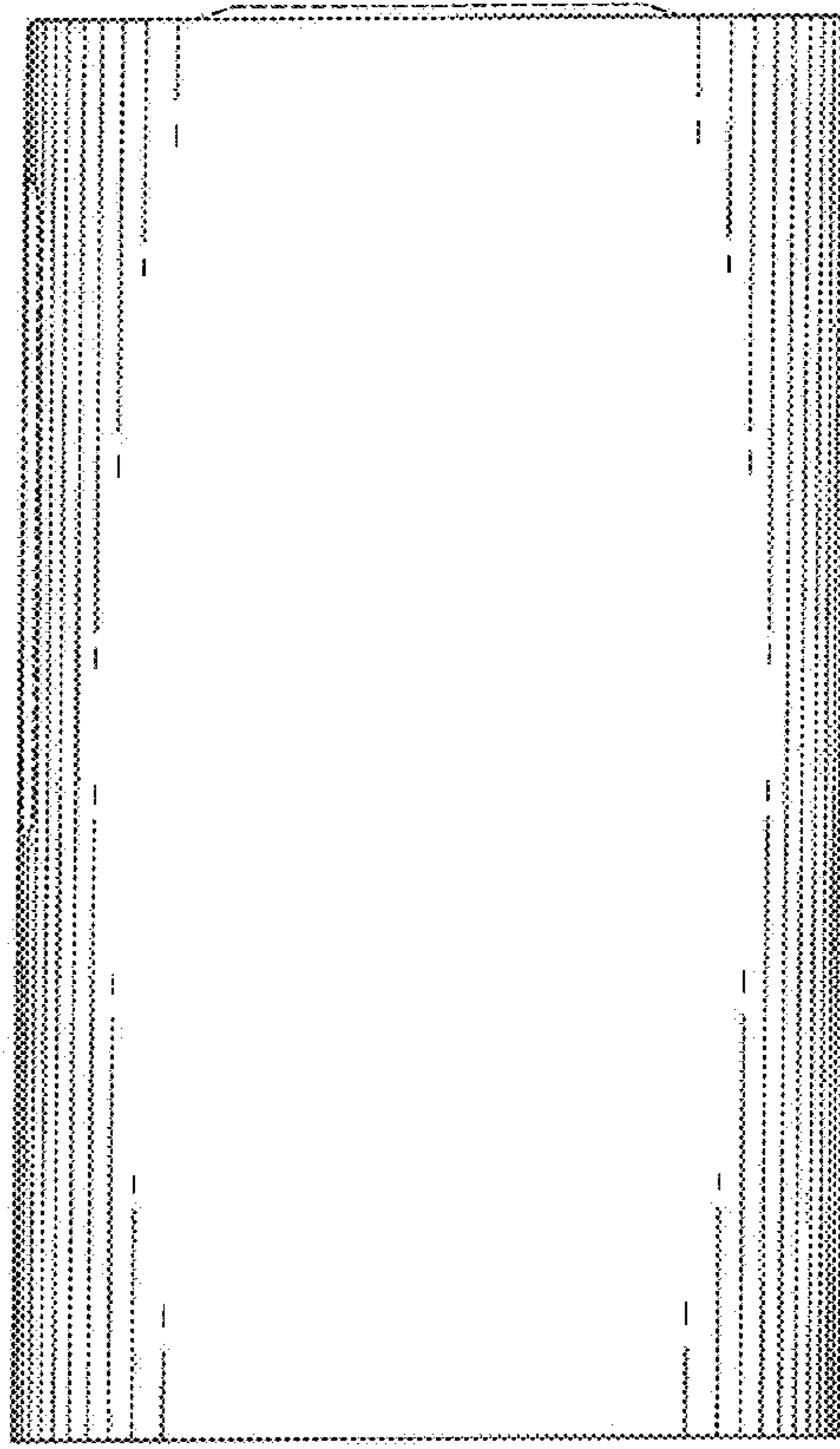


FIG. 5

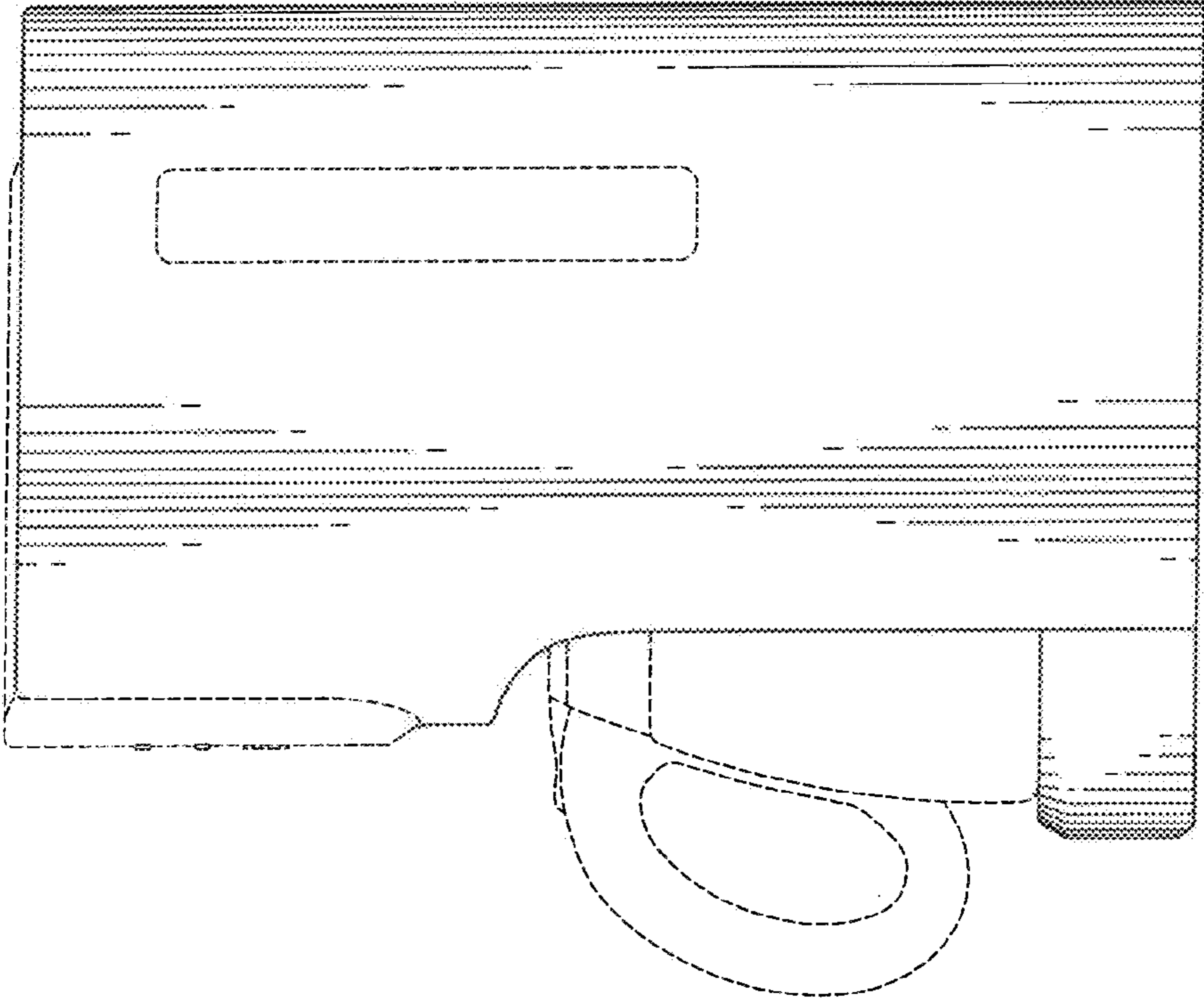


FIG. 4

