

US00D769660S

(12) **United States Design Patent**
Bock

(10) **Patent No.:** **US D769,660 S**

(45) **Date of Patent:** **** Oct. 25, 2016**

(54) **MECHANISM FOR AN OFFICE CHAIR**

(71) Applicant: **BOCK 1 GMBH & CO. KG,**
Postbauer-Heng (DE)

(72) Inventor: **Hermann Bock,** Pyrbaum (DE)

(**) Term: **15 Years**

(21) Appl. No.: **35/500,107**

(22) Filed: **Jun. 25, 2015**

(80) **Hague Agreement Data**

Int. Filing Date: **Jun. 25, 2015**

Int. Reg. No.: **DM/087205**

Int. Reg. Date: **Jun. 25, 2015**

Int. Reg. Pub. Date: **Aug. 21, 2015**

(51) **LOC (10) Cl.** **06-01**

(52) **U.S. Cl.**
USPC **D6/716.7**

(58) **Field of Classification Search**
USPC D6/364-366, 702, 716, 716.7
CPC A47C 3/20; A47C 7/00
See application file for complete search history.

(56) **References Cited**

U.S. PATENT DOCUMENTS

D473,737 S * 4/2003 Klaesener D6/716.7
D480,241 S * 10/2003 Appelqvist D6/716.7

D550,990 S * 9/2007 Donati D6/716.7
D579,241 S * 10/2008 Breen D6/716.7
D582,704 S * 12/2008 Donati D6/716.7
D599,586 S * 9/2009 Moreschi D6/716.7
D649,814 S * 12/2011 Costaglia D6/716.7
D657,167 S * 4/2012 Costaglia D6/716.7
D697,747 S * 1/2014 Smith D6/716.7
2004/0227387 A1 * 11/2004 Matern A47C 3/20
297/344.19

* cited by examiner

Primary Examiner — Mary Ann Calabrese

(57) **CLAIM**

The ornamental design for a mechanism for an office chair,
as shown and described.

DESCRIPTION

1. Mechanism for an office chair

1.1 : Perspective

1.2 : Left

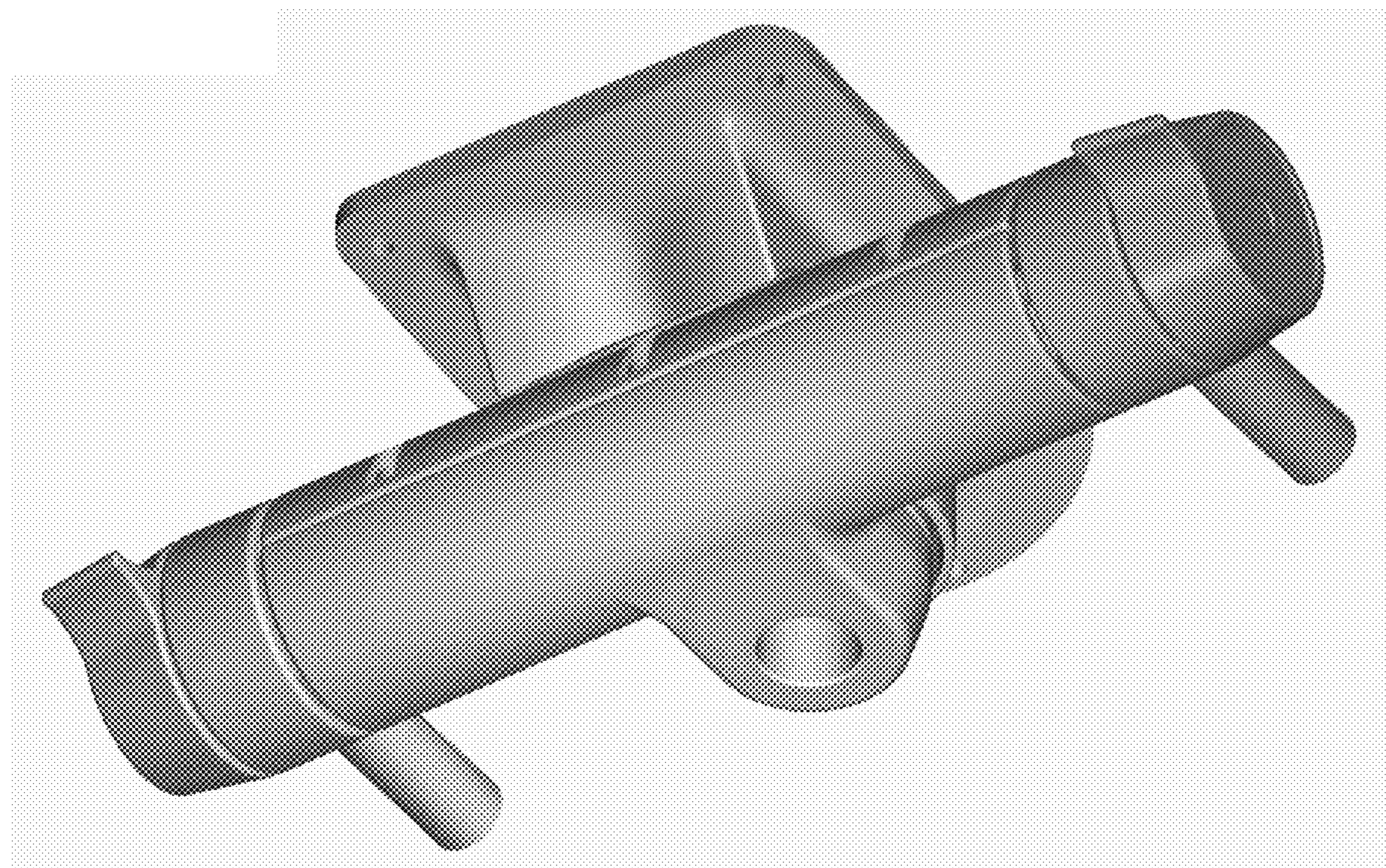
1.3 : Front

1.4 : Back

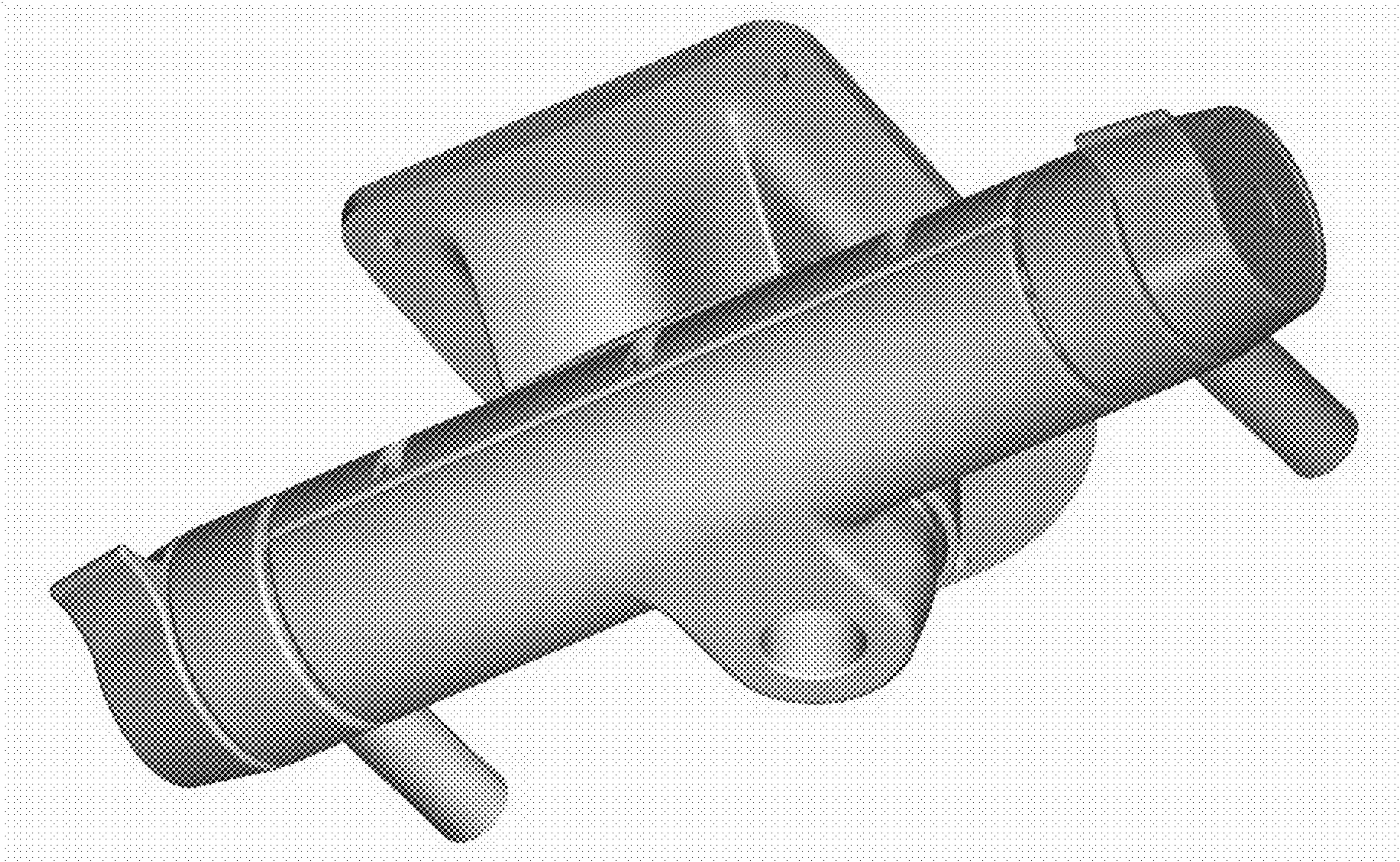
1.5 : Bottom

1.6 : Top

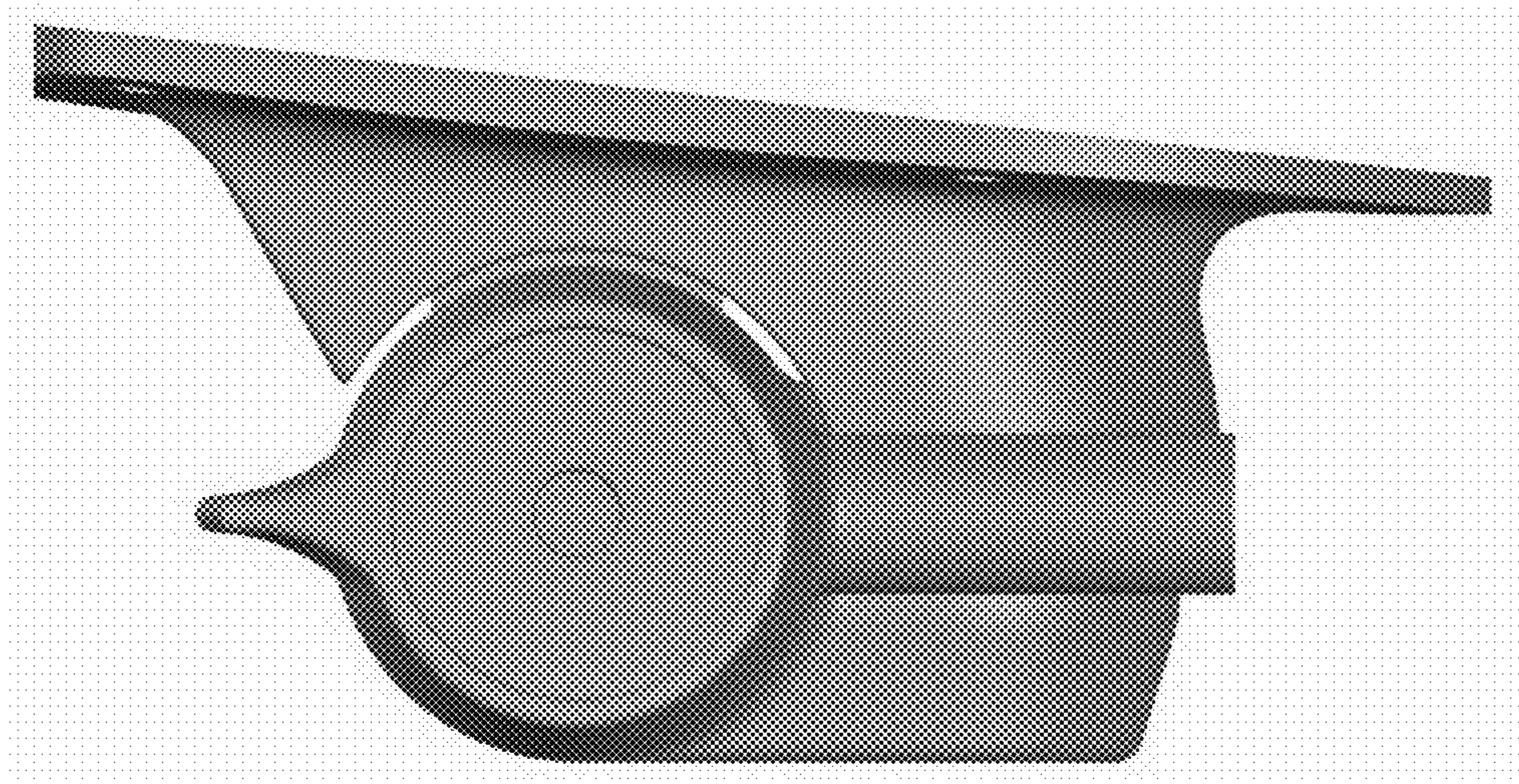
1 Claim, 6 Drawing Sheets



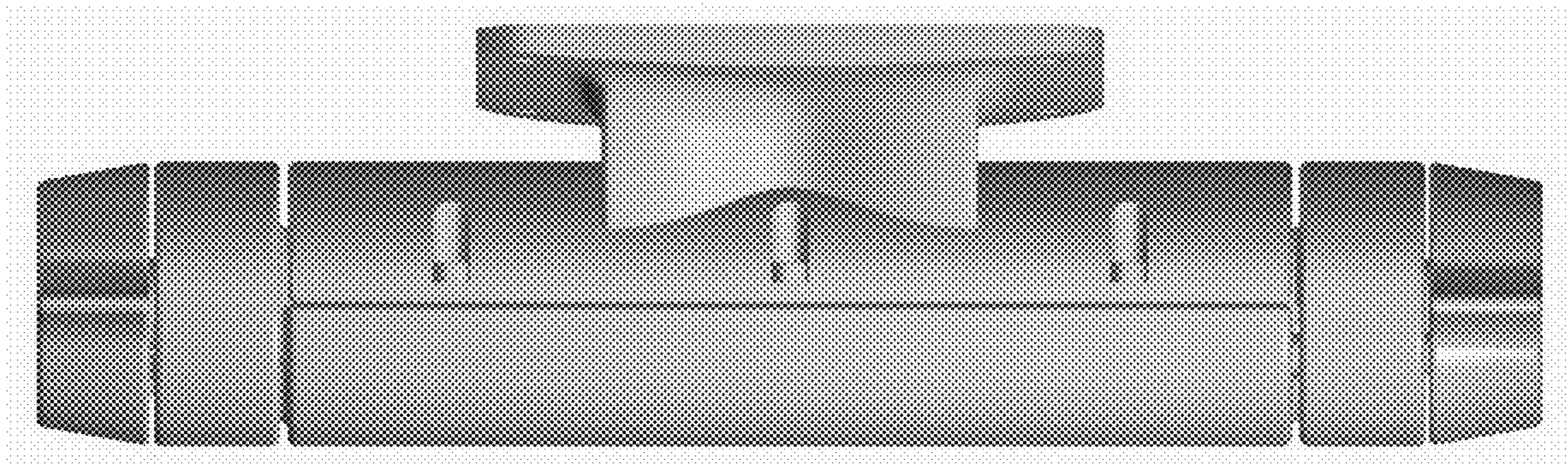
1.1



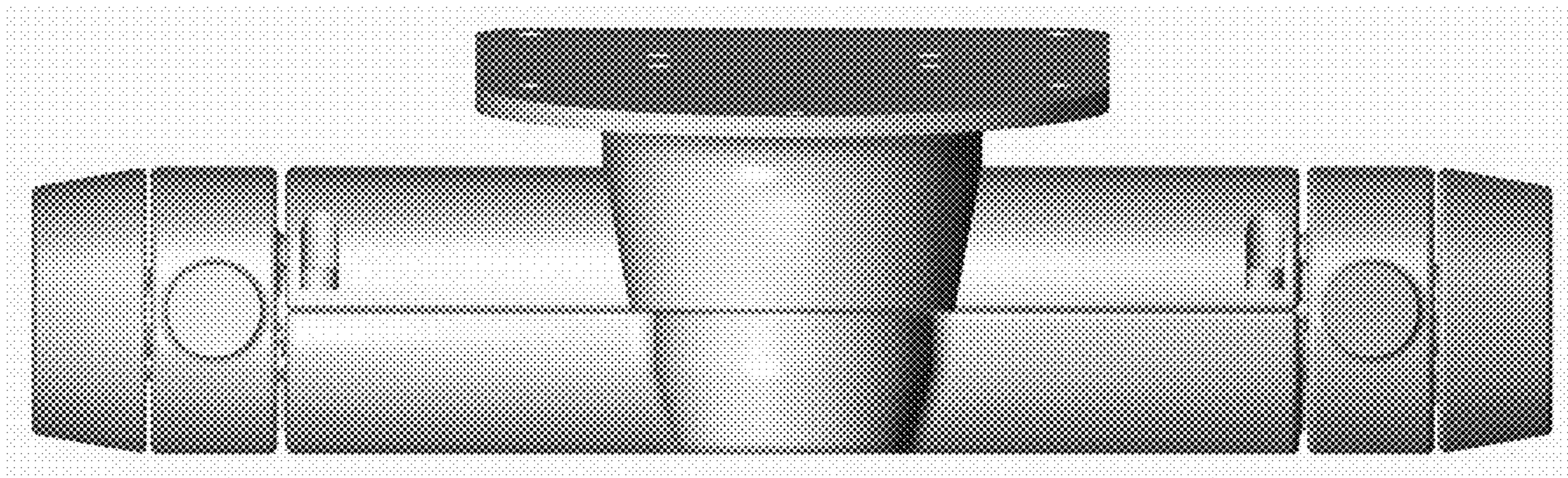
1.2



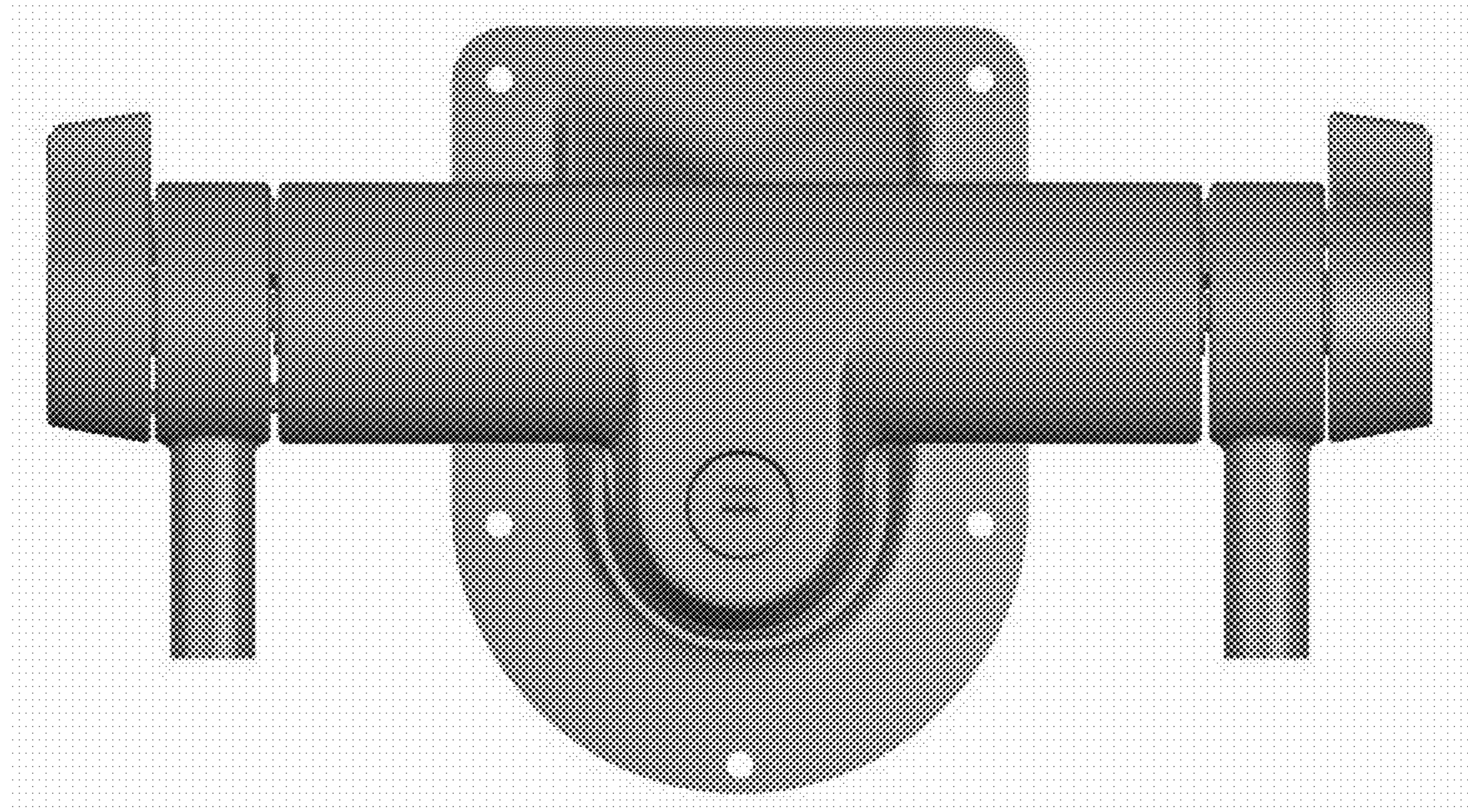
1.3



1.4



1.5



1.6

