



US00D769658S

(12) **United States Design Patent**  
**Petrucelli**

(10) **Patent No.:** **US D769,658 S**

(45) **Date of Patent:** **\*\* Oct. 25, 2016**

- (54) **BEAUTY SALON CHAIR**
- (71) Applicant: **P.S. Pibbs, Inc.**, Flushing, NY (US)
- (72) Inventor: **Giulio Petrucelli**, Flushing, NY (US)
- (73) Assignee: **P.S. PIBBS, INC.**, Flushing, NY (US)

(\*\*) Term: **14 Years**

(21) Appl. No.: **29/524,621**

(22) Filed: **Apr. 22, 2015**

(51) **LOC (10) Cl.** ..... **06-01**

(52) **U.S. Cl.**  
USPC ..... **D6/716; D6/360**

(58) **Field of Classification Search**  
USPC ..... D6/334-336, 364, 365, 366, 367, 374,  
D6/376, 379, 380, 716, 716.1, 716.2,  
D6/716.3, 716.4  
CPC ..... A47C 3/18; A47C 3/20; A47C 7/18;  
A47C 7/50; A47C 7/54; A47C 9/00; A47C  
9/007

See application file for complete search history.

(56) **References Cited**

**U.S. PATENT DOCUMENTS**

- D243,909 S \* 4/1977 Gabourie ..... D6/364
- D565,871 S \* 4/2008 Petrucelli ..... D6/364

- D660,619 S \* 5/2012 Petrucelli ..... D6/360
- D664,793 S \* 8/2012 Petrucelli ..... D6/360
- D668,085 S \* 10/2012 Bellin ..... D6/716
- D677,949 S \* 3/2013 Voyce, IV ..... D6/716
- D677,950 S \* 3/2013 Voyce, IV ..... D6/716
- D677,951 S \* 3/2013 Voyce, IV ..... D6/716
- D677,952 S \* 3/2013 Voyce, IV ..... D6/716

\* cited by examiner

*Primary Examiner* — Mimosa De

(74) *Attorney, Agent, or Firm* — Gerald E. Hespos;  
Michael J. Porco; Matthew T. Hespos

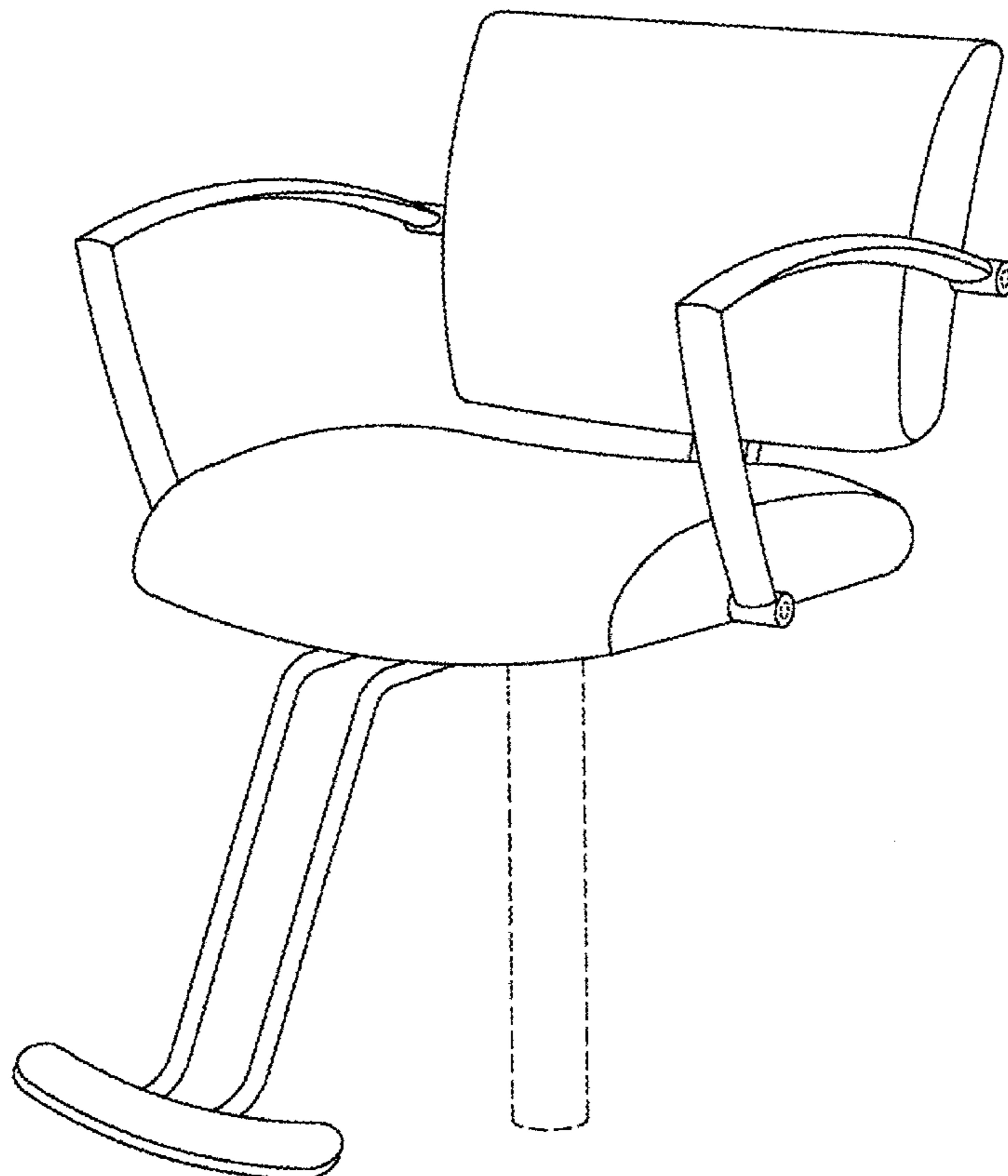
(57) **CLAIM**

The ornamental design for a beauty salon chair, as shown and described.

**DESCRIPTION**

FIG. 1 is a perspective view of a beauty salon chair in accordance with my design;  
FIG. 2 is a top plan view of the beauty salon chair of FIG. 1;  
FIG. 3 is a front elevational view thereof;  
FIG. 4 is a left side elevational view, with the right side elevational view being a mirror image thereof;  
FIG. 5 is a rear elevational view thereof; and,  
FIG. 6 is a bottom plan view thereof.  
The broken lines showing the pedestal in FIG. 1 and the screws in FIGS. 1 and 4-6 are for illustrative purposes only and form no part of the claimed design.

**1 Claim, 6 Drawing Sheets**



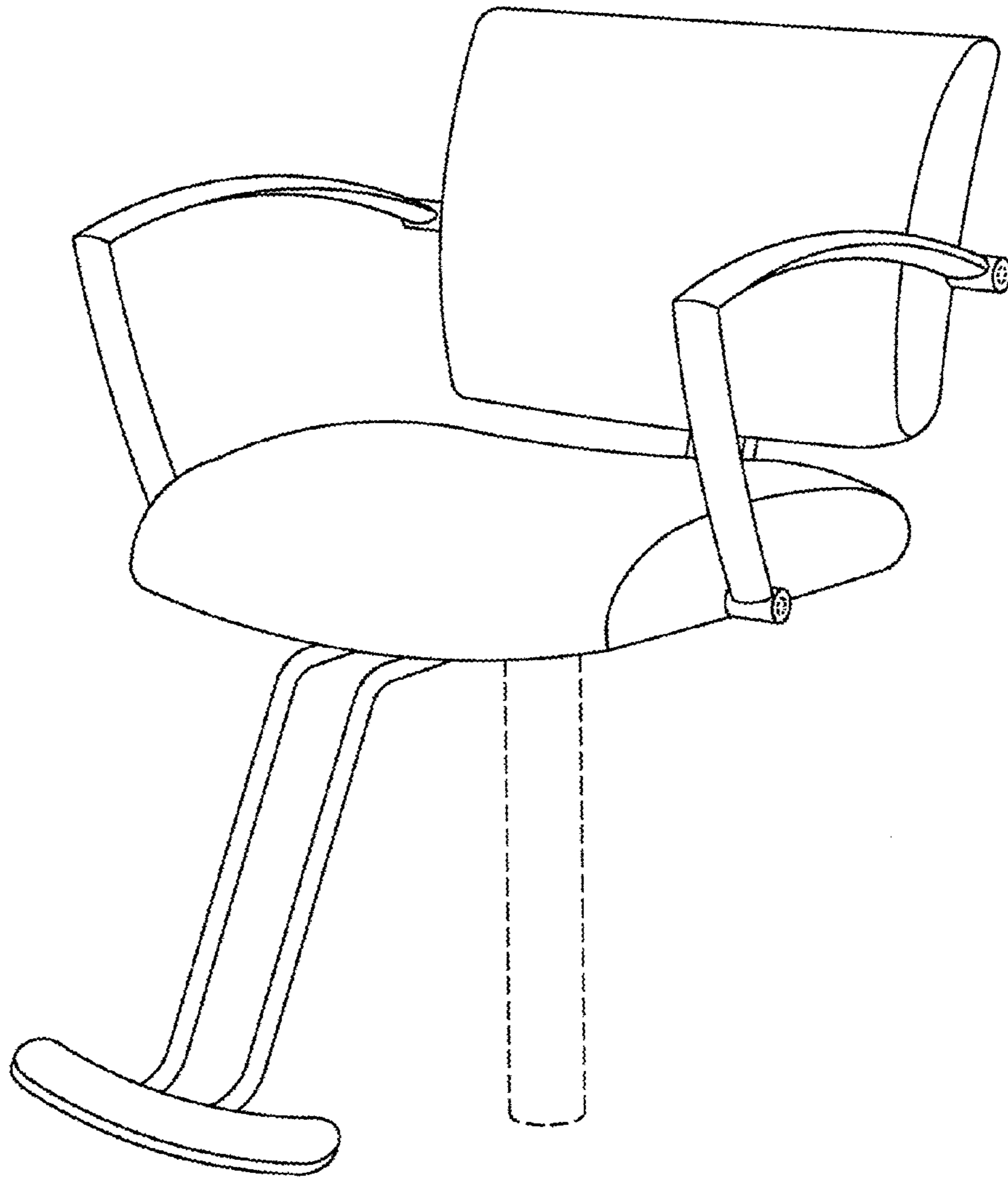


FIG. 1

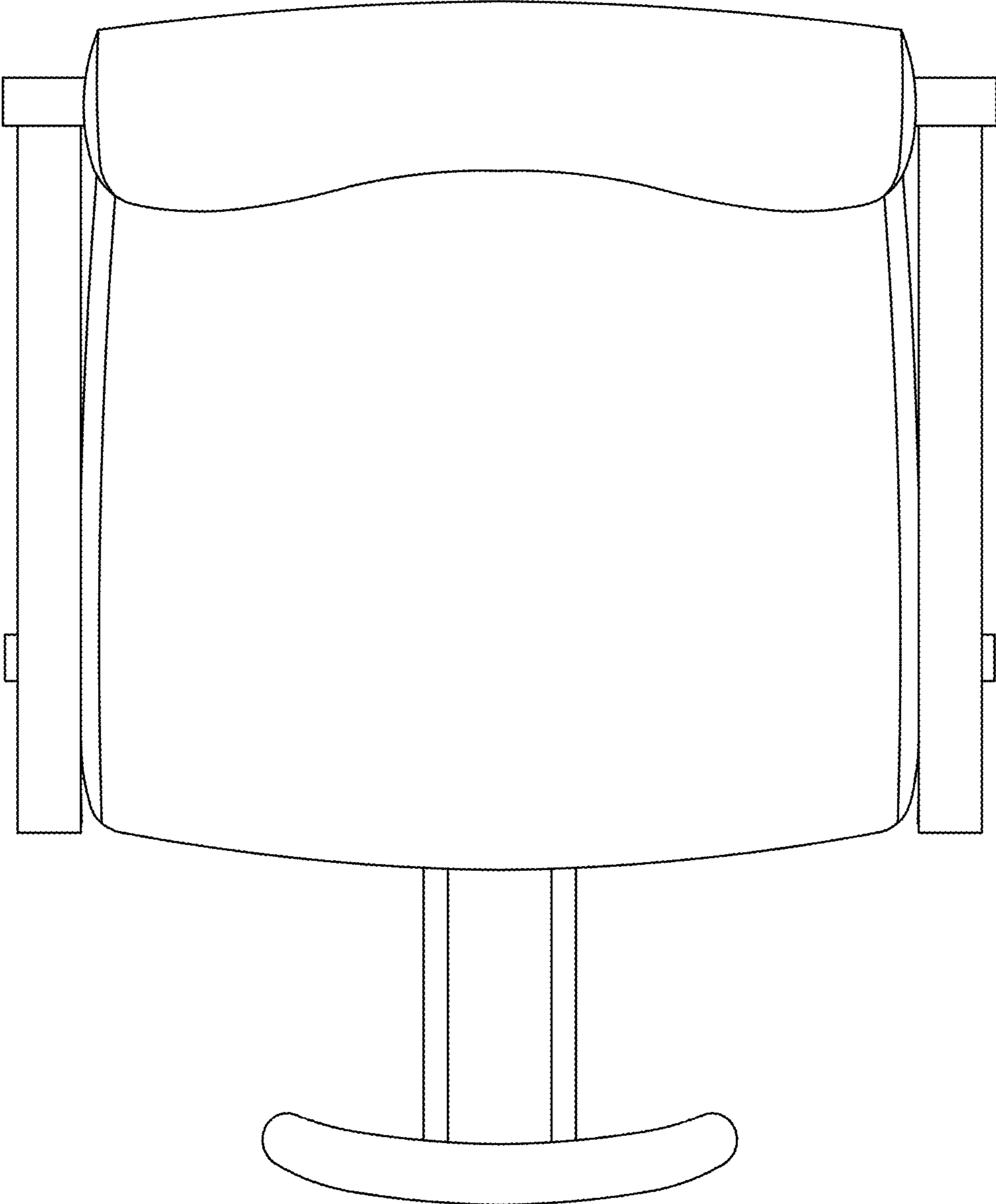


FIG.2

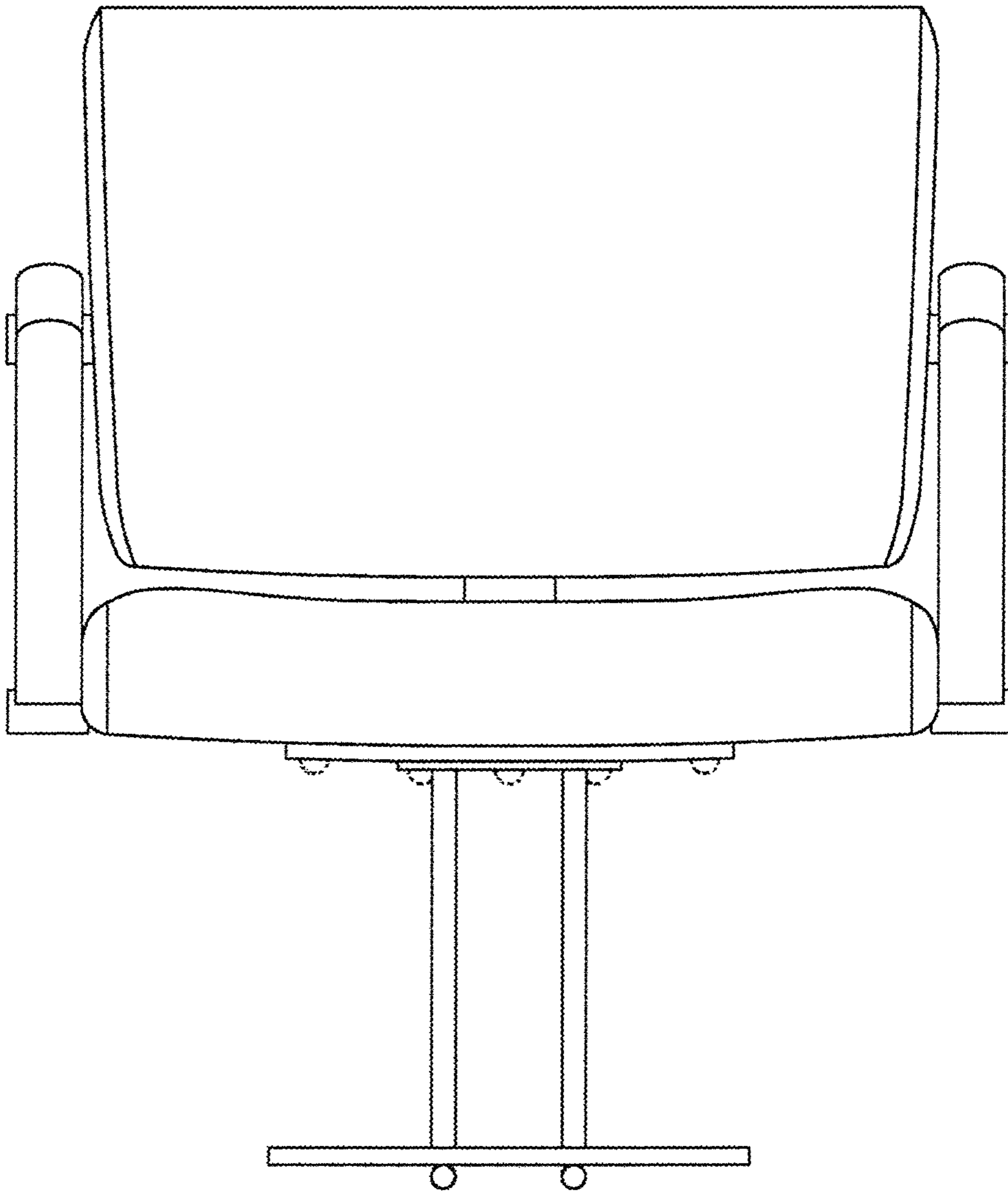
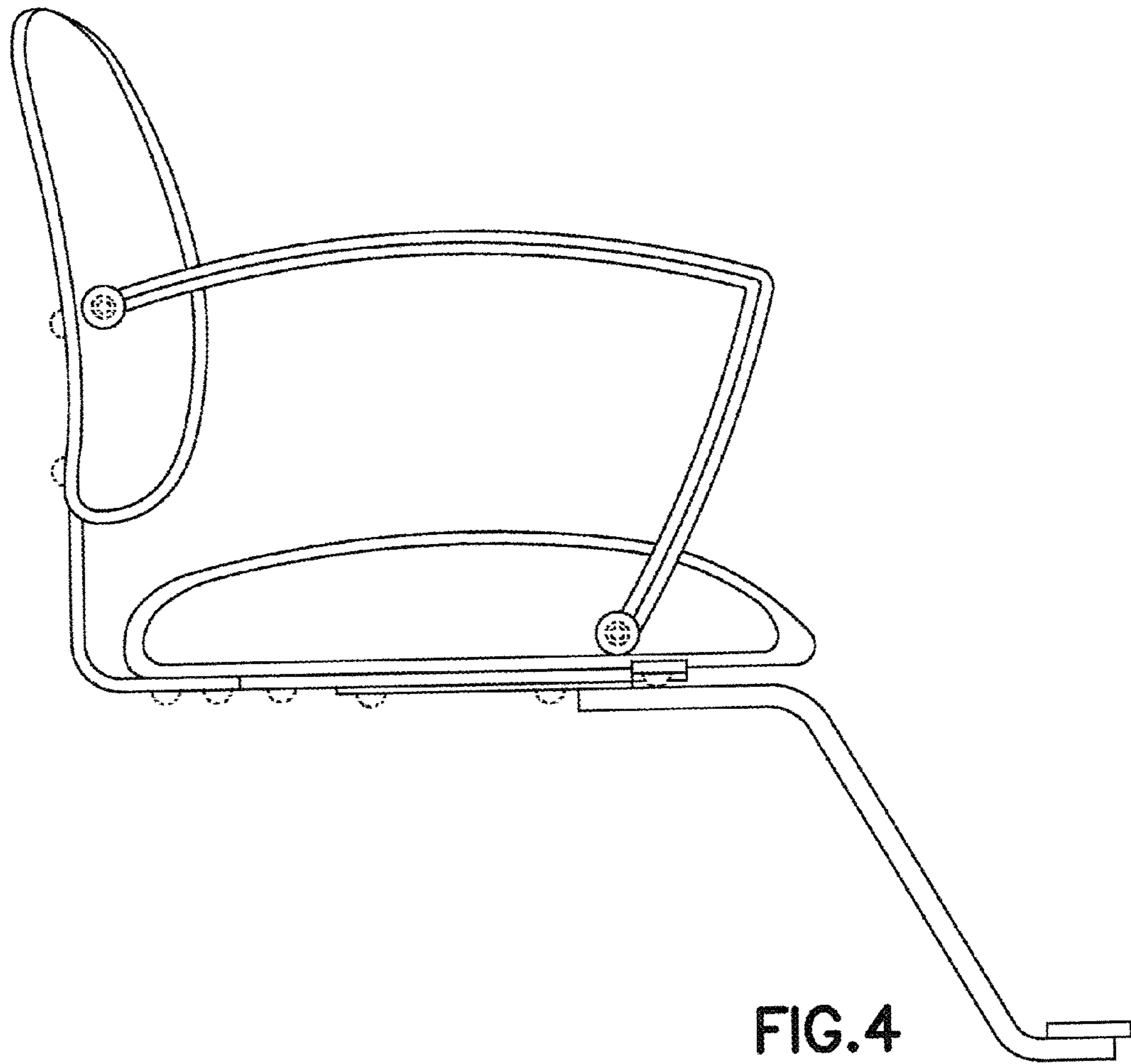


FIG.3



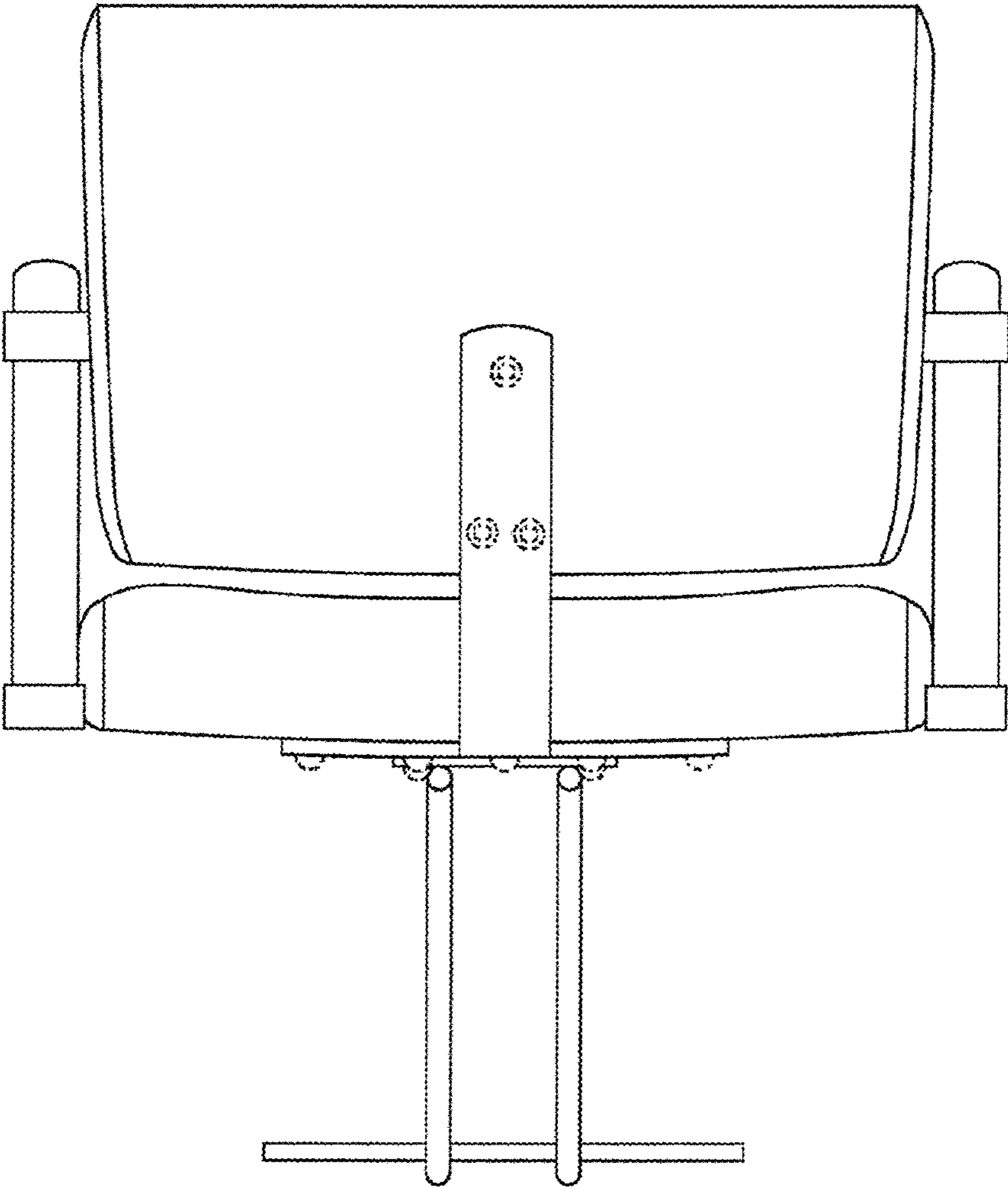


FIG.5

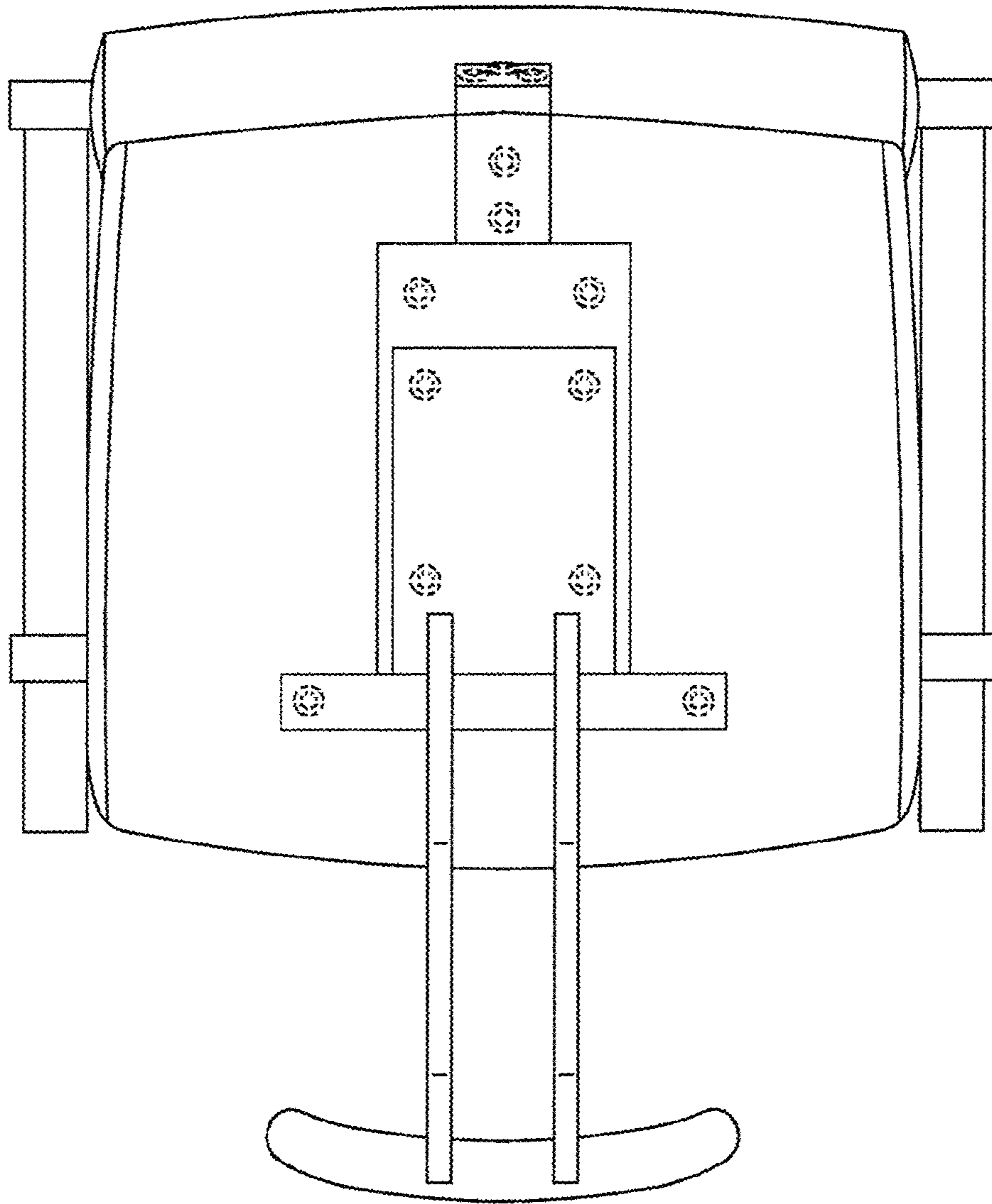


FIG. 6