

US00D769655S

(12) **United States Design Patent** (10) **Patent No.:** **US D769,655 S**
Horner, Jr. (45) **Date of Patent:** **** Oct. 25, 2016**

- (54) **BIBLE AND HYMNAL HOLDER**
- (71) Applicant: **Ivan L. Horner, Jr.**, Linesville, PA (US)
- (72) Inventor: **Ivan L. Horner, Jr.**, Linesville, PA (US)
- (**) Term: **15 Years**
- (21) Appl. No.: **29/531,521**
- (22) Filed: **Jun. 26, 2015**
- (51) **LOC (10) Cl.** **06-06**
- (52) **U.S. Cl.**
USPC **D6/700; D6/406.4; D6/406.6**
- (58) **Field of Classification Search**
USPC **D6/406.3-406.6, 698, 700, 701; D19/91**
CPC **A47B 19/00; A47B 19/02; A47B 23/04; A47B 23/042**
See application file for complete search history.

- D649,194 S * 11/2011 Thompson D19/91
- 2011/0101195 A1* 5/2011 Skolnik A47B 23/04 248/446
- 2013/0256497 A1* 10/2013 Radmard F16M 11/00 248/558

OTHER PUBLICATIONS

Ash Dictionary Type "Fold Away" Profile Bookstand, posted date unknown, bookstandworld.net, site visited Aug. 23, 2016, Available from Internet, <<http://bookstandworld.net/c0318.html>>.*

Missal Stand, posted date unknown, churchsupplywarehouse.com, Copyright © 2007, site visited Aug. 23, 2016, Available from Internet, <https://www.churchsupplywarehouse.com/catalog_product.asp_Q_categoryId_E_47_A_subcategoryId_E_639_A_categoryItem_Id_E_28149_A_Missal_Stand_E_Missal_Stand#>>.*

Open Book Stand/Table Top Lectern—No Sound, posted date unknown, lecternsandpodiums.com, Copyright © 2004-2012, site visited Aug. 23, 2016, Available from Internet, <http://www.lecternsandpodiums.com/Open-Book-Stand-Table-Top-Lectern--No-Sound_p_133.html>.*

* cited by examiner

Primary Examiner — Cathron Brooks
Assistant Examiner — Sharon S Oum
 (74) *Attorney, Agent, or Firm* — Stallard Law, LLC;
 Adam D. Stallard, Esq.

(56) **References Cited**

U.S. PATENT DOCUMENTS

- 657,544 A * 9/1900 Jaeger A47B 23/042 248/441.1
- 664,031 A * 12/1900 Albright A47B 23/04 248/458
- 2,054,098 A * 9/1936 Rich A47B 23/001 108/1
- D139,017 S * 10/1944 Leatherman 108/43
- D151,218 S * 10/1948 Cameron D6/338
- D217,363 S * 4/1970 Ellsworth D6/700
- D324,962 S * 3/1992 Meeker 312/298
- D362,565 S * 9/1995 Tubbs D6/310
- 5,882,095 A * 3/1999 Green A47G 33/02 312/235.3
- D477,641 S * 7/2003 Rothkopf D21/404
- D640,112 S * 6/2011 Smith D8/71

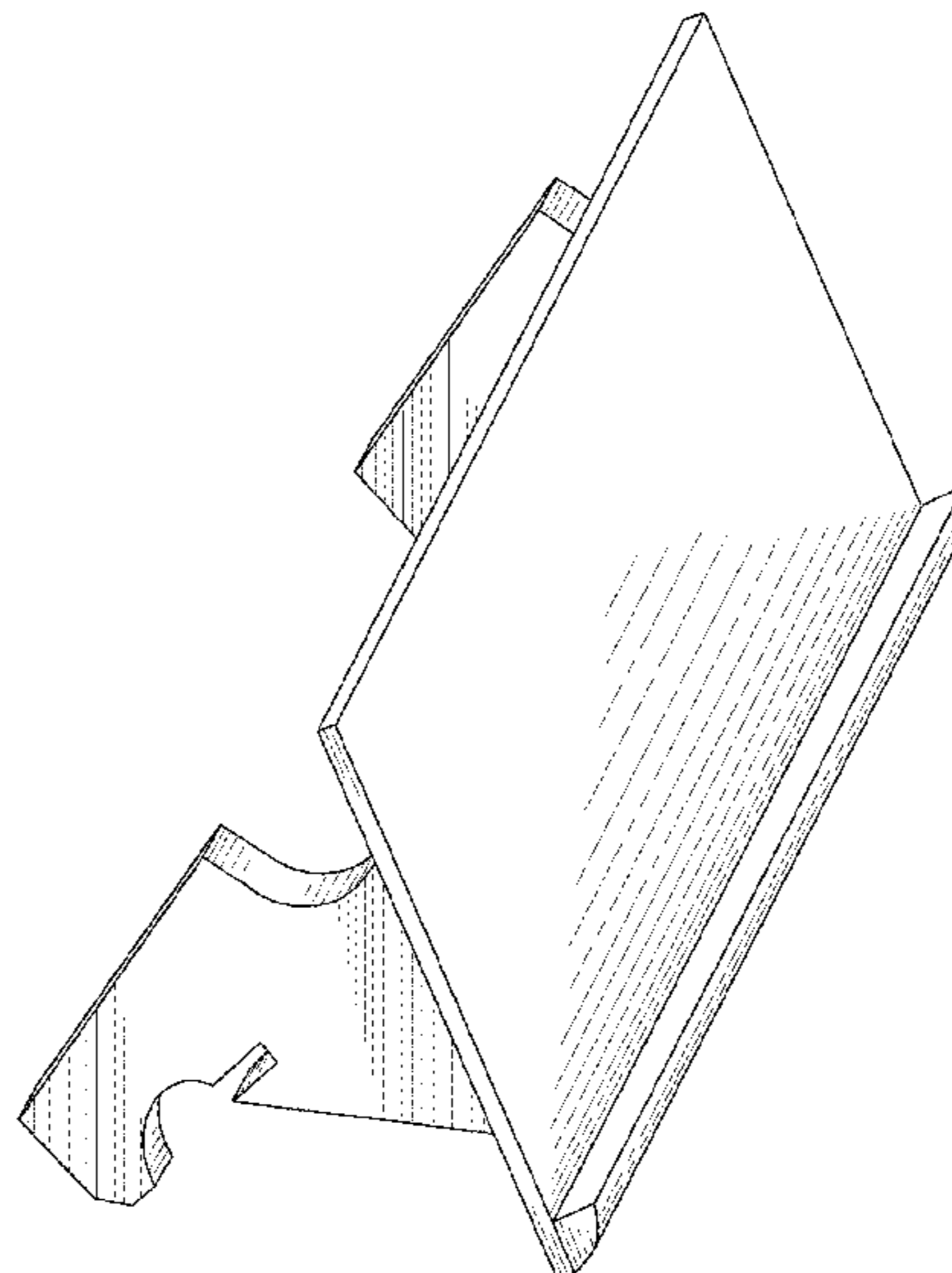
(57) **CLAIM**

The ornamental design for a bible and hymnal holder, as shown and described.

DESCRIPTION

FIG. 1 is a perspective view of the holder.
 FIG. 2 is a front view of the holder.
 FIG. 3 is a back view of the holder.
 FIG. 4 is a top view of the holder.
 FIG. 5 is a bottom view of the holder.
 FIG. 6 is a left side view of the holder; and,
 FIG. 7 is a right side view of the holder.

1 Claim, 4 Drawing Sheets



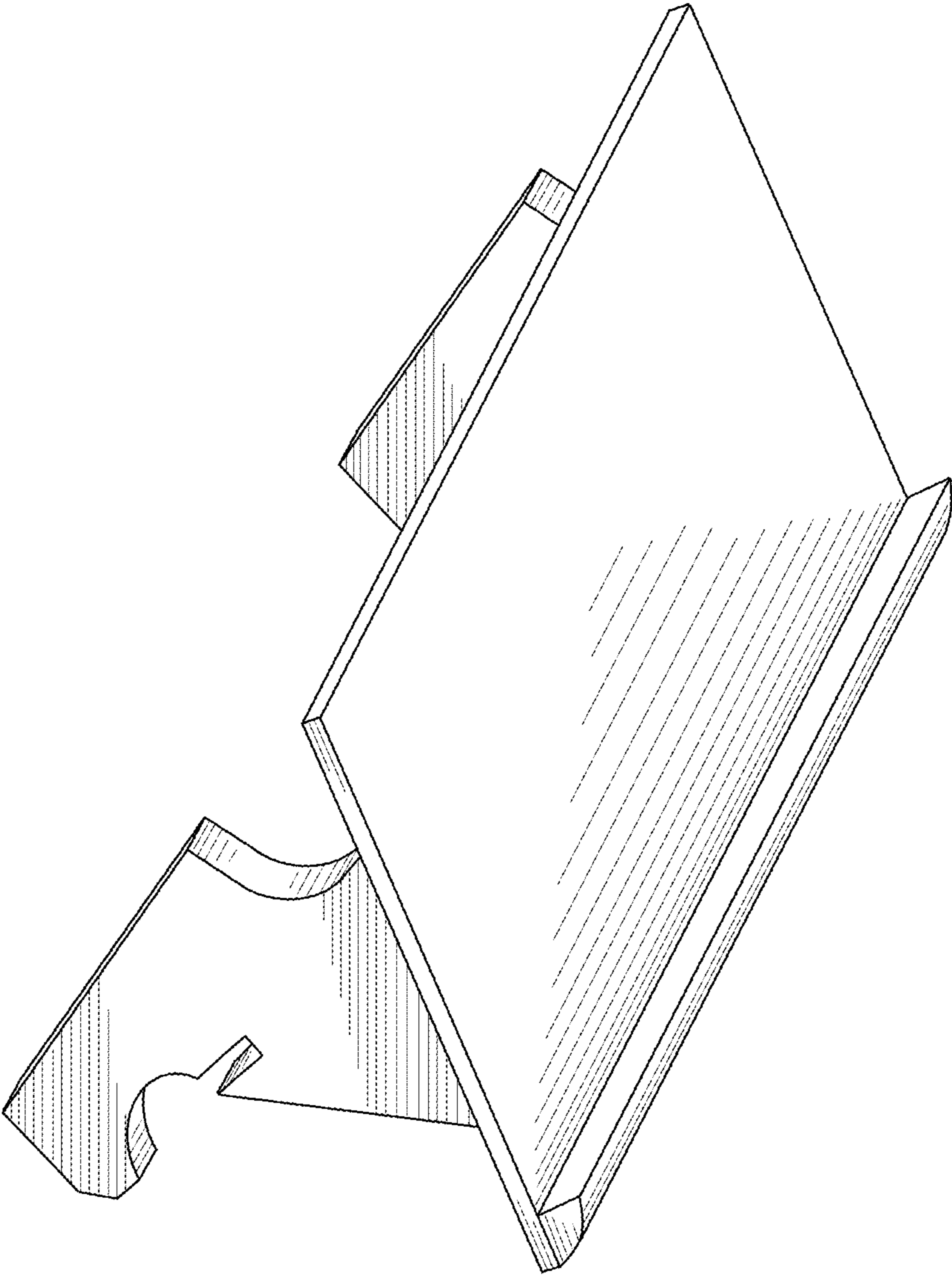


FIG. 1

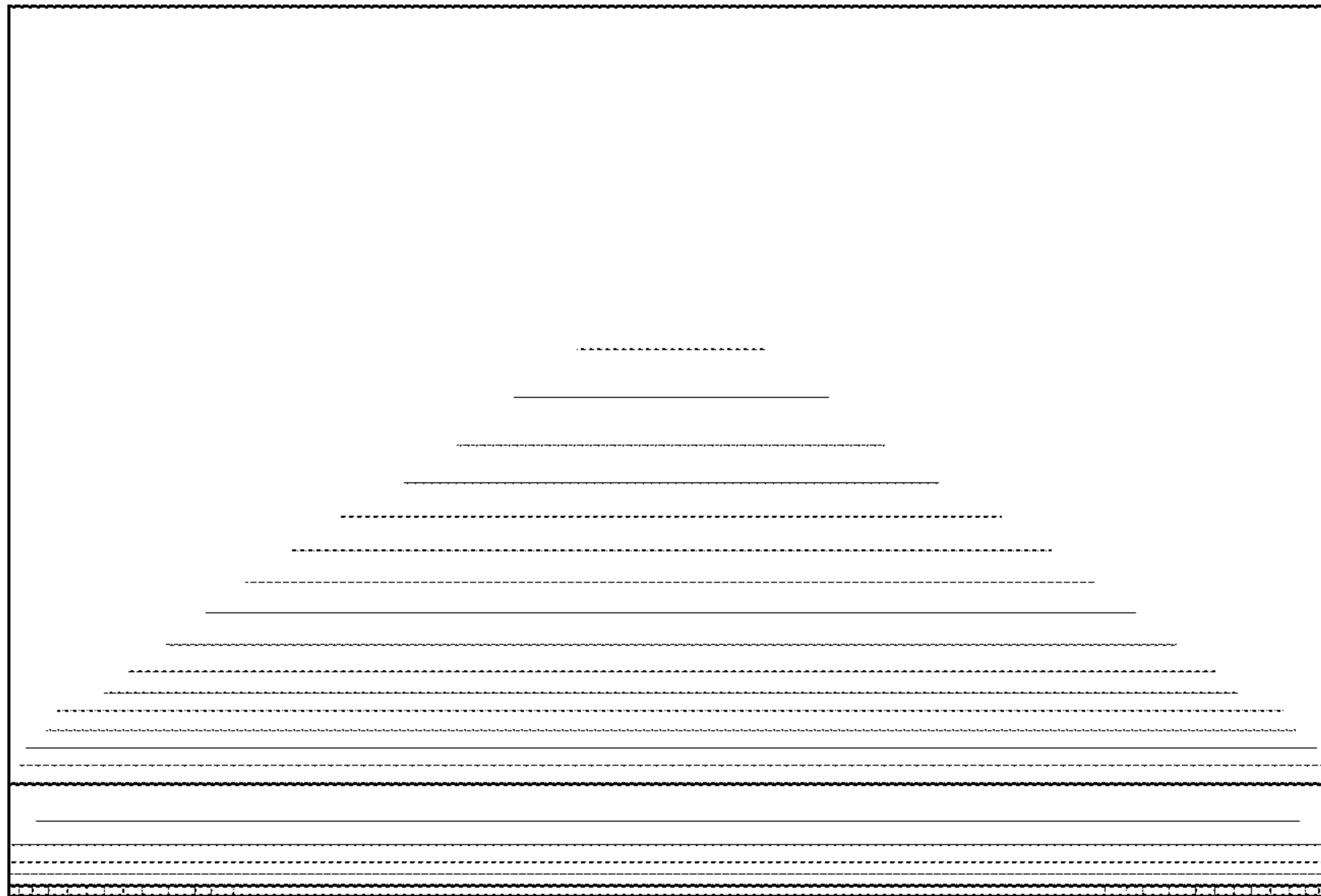


FIG. 2

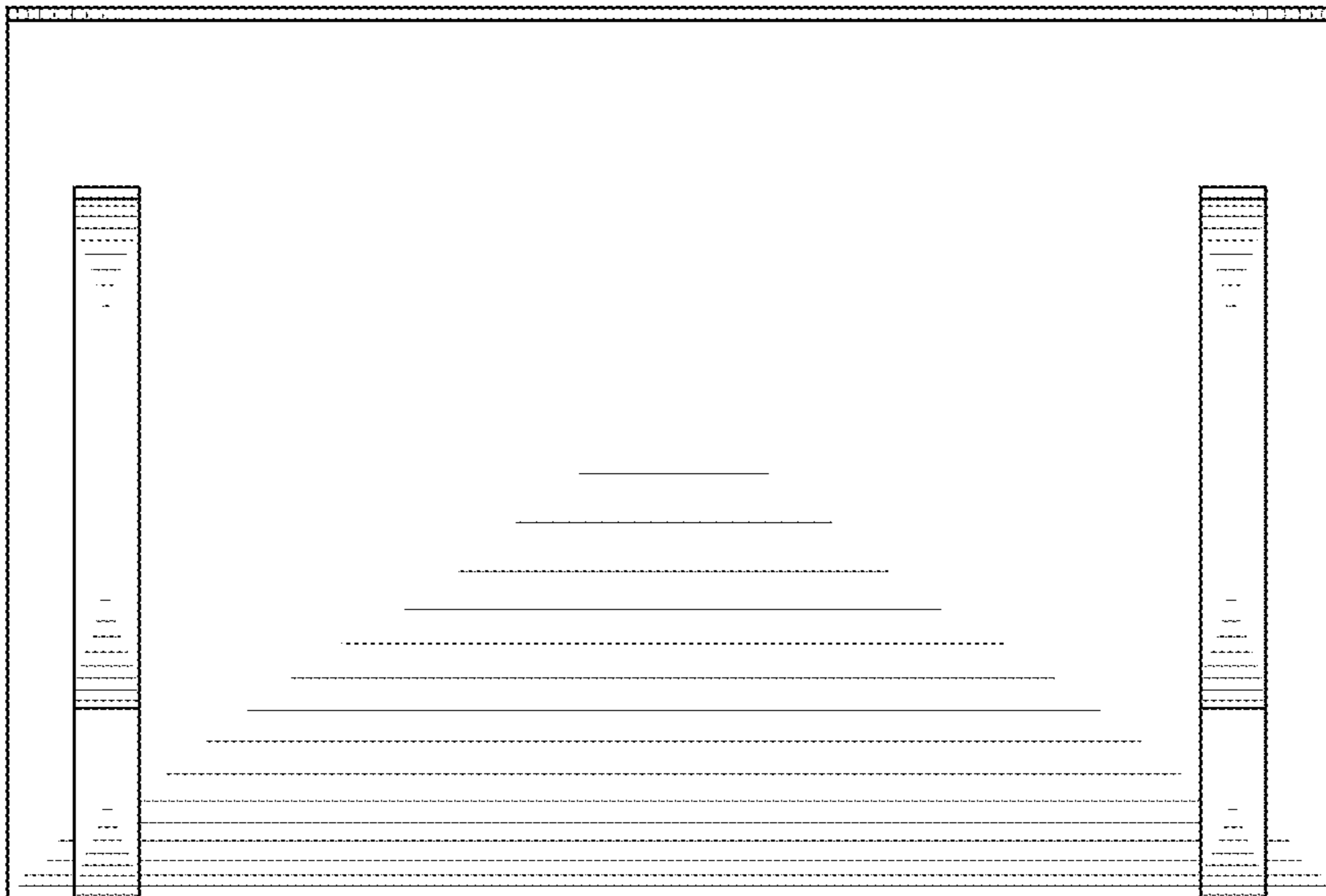


FIG. 3

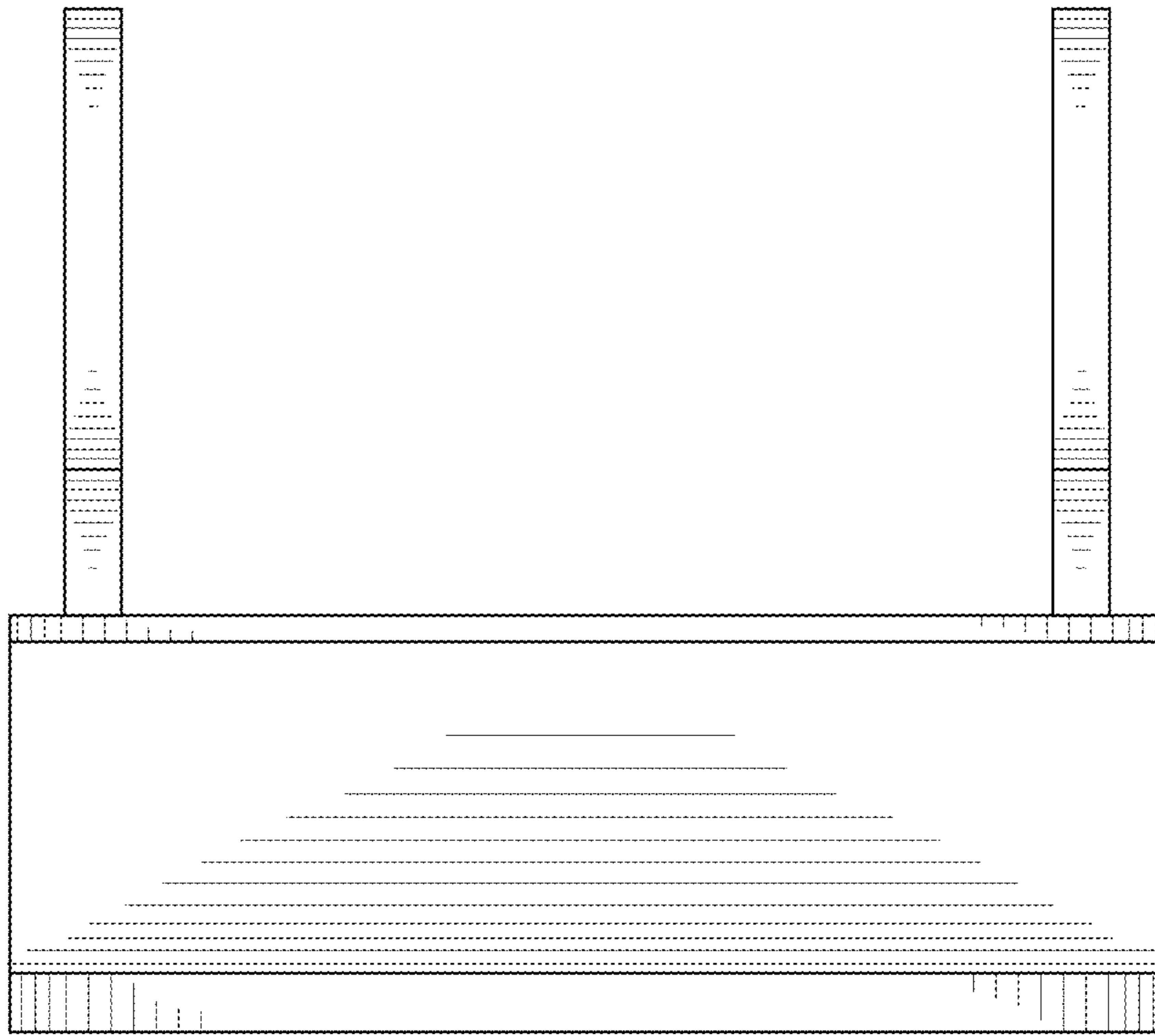


FIG. 4

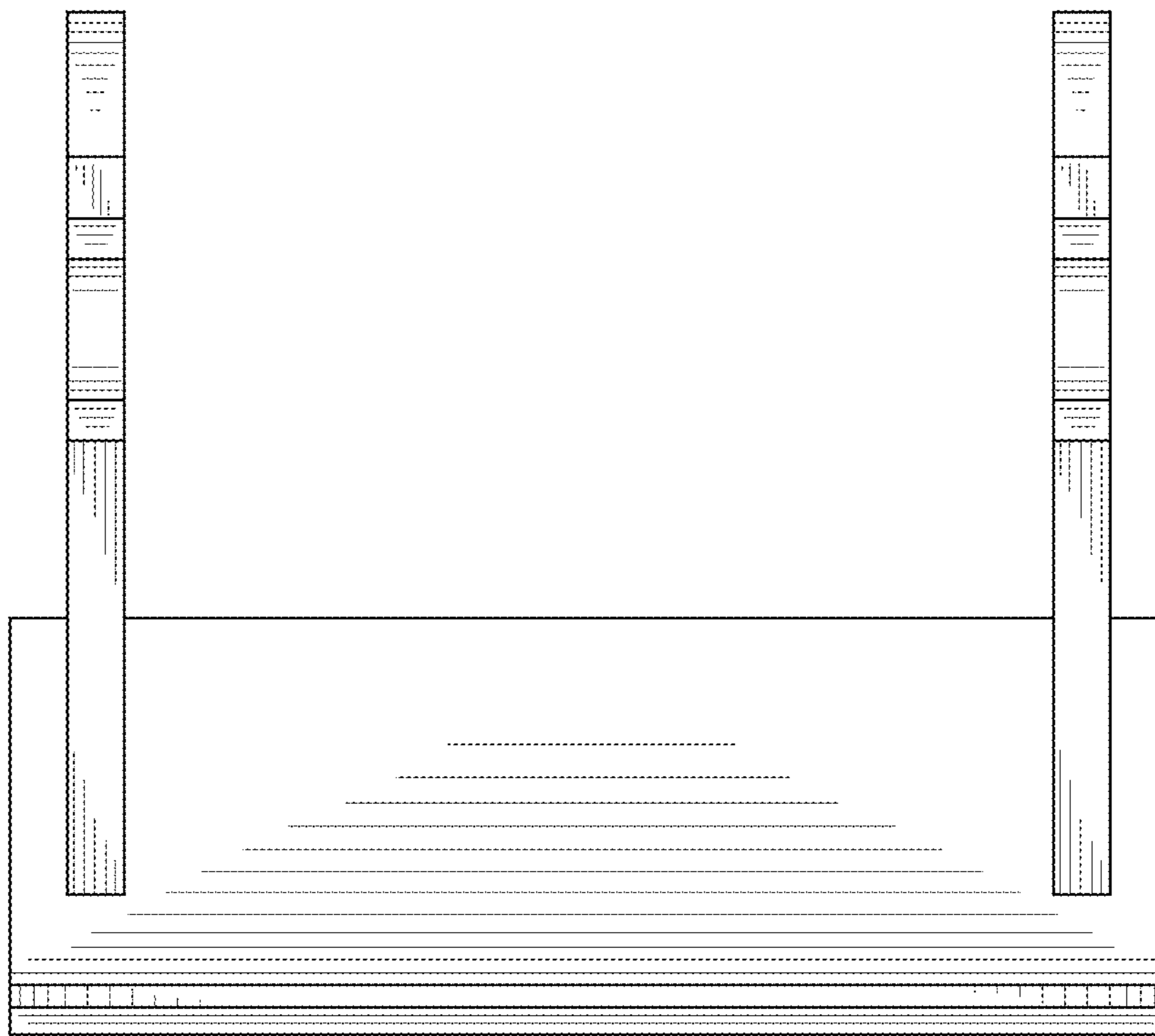


FIG. 5

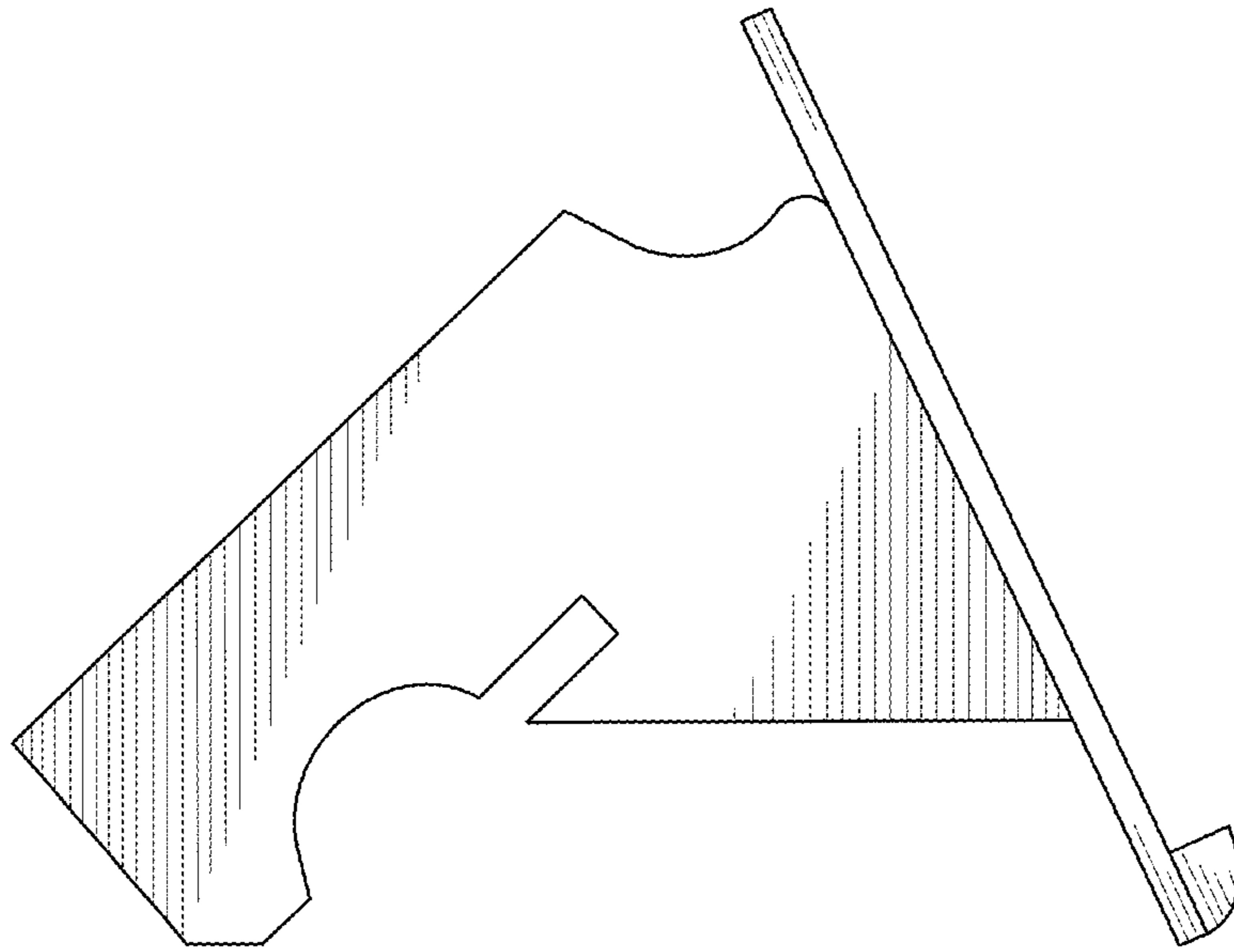


FIG. 6

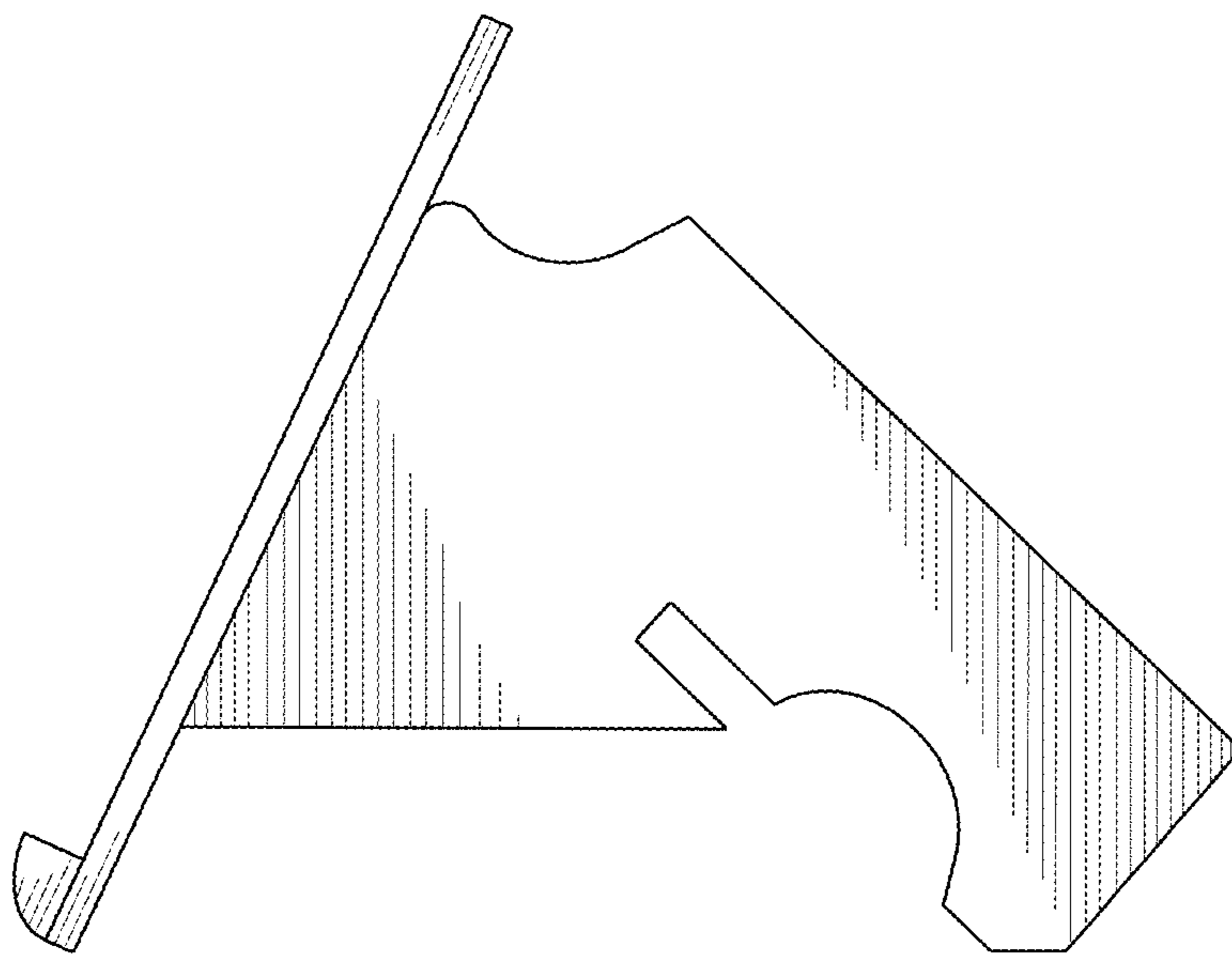


FIG. 7