



US00D769654S

(12) **United States Design Patent** (10) **Patent No.:** **US D769,654 S**
Akana et al. (45) **Date of Patent:** **** Oct. 25, 2016**

(54) **TABLE**

(71) Applicant: **Apple Inc.**, Cupertino, CA (US)

(72) Inventors: **Jody Akana**, San Francisco, CA (US);
Bartley K. Andre, Palo Alto, CA (US);
Shota Aoyagi, San Francisco, CA (US);
Anthony Michael Ashcroft, San Francisco, CA (US); **Jeremy Bataillou**, San Francisco, CA (US); **Daniel J. Coster**, San Francisco, CA (US); **Daniele De Iuliis**, San Francisco, CA (US); **Christopher M. Green**, Woodside, CA (US); **M. Evans Hankey**, San Francisco, CA (US); **Julian Hoenig**, San Francisco, CA (US); **Richard P. Howarth**, San Francisco, CA (US); **Jonathan P. Ive**, San Francisco, CA (US); **Duncan Robert Kerr**, San Francisco, CA (US); **Kully Kraig Mandon**, San Francisco, CA (US); **Matthew Dean Rohrbach**, San Francisco, CA (US); **Peter Russell-Clarke**, San Francisco, CA (US); **Benjamin Andrew Shaffer**, San Jose, CA (US); **Jonathan P. Siegel**, San Francisco, CA (US); **Mikael Silvano**, San Francisco, CA (US); **Christopher J. Stringer**, Woodside, CA (US); **Eugene Antony Whang**, San Francisco, CA (US); **Rico Zörkendörfer**, San Francisco, CA (US)

(73) Assignee: **Apple Inc.**, Cupertino, CA (US)

(**) Term: **14 Years**

(21) Appl. No.: **29/493,878**

(22) Filed: **Jun. 13, 2014**

(51) **LOC (10) Cl.** **06-03**

(52) **U.S. Cl.**
USPC **D6/691**

(58) **Field of Classification Search**
USPC D6/691.6, 692, 692.4, 707.17, 656.13,
D6/688.14, 662.1, 675, 691; 108/150, 155

CPC A47B 7/00; A47B 13/00; A47B 13/04;
A47B 13/06; A47B 91/005; A47B 3/00;
A47B 3/0818; A47B 3/087; A47B 17/00;
A47B 21/00

See application file for complete search history.

(56) **References Cited**

U.S. PATENT DOCUMENTS

D399,684 S * 10/1998 Glass D6/647
D424,841 S * 5/2000 Newhouse D6/691

(Continued)

FOREIGN PATENT DOCUMENTS

DE 40110180 7/2003
KR 167611 8/1995
WO DM/078433 6/2012

OTHER PUBLICATIONS

Japanese Patent Office Document HB06003569, dated by JPO Oct. 31, 1993.

(Continued)

Primary Examiner — Rosemary K Tarcza

Assistant Examiner — James Thorn, Sr.

(74) *Attorney, Agent, or Firm* — Sterne, Kessler, Goldstein & Fox P.L.L.C.

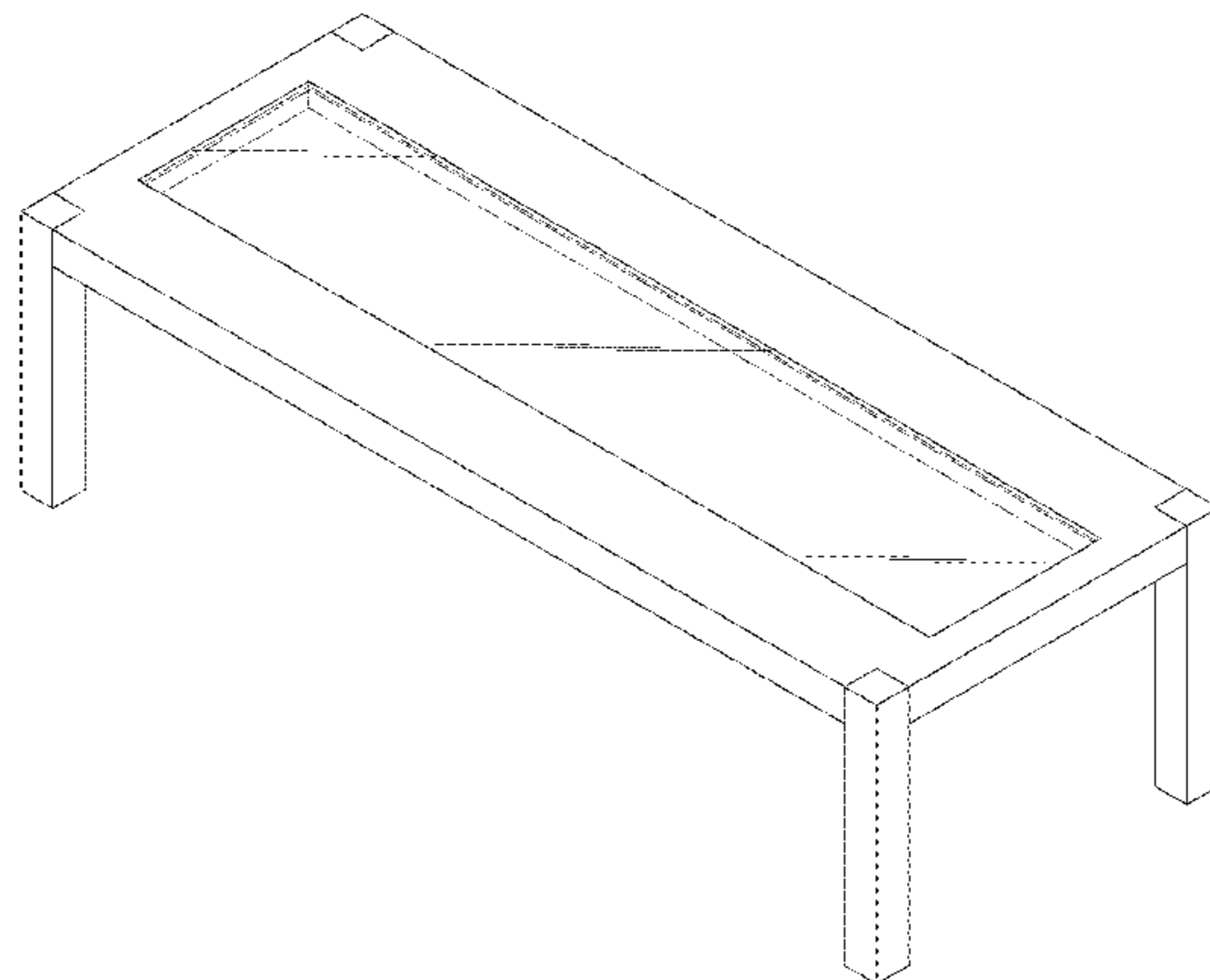
(57) **CLAIM**

The ornamental design for a table, as shown and described.

DESCRIPTION

FIG. 1 is a front perspective view of a table showing our new design;
FIG. 2 is a rear perspective view thereof;
FIG. 3 is a front view thereof;
FIG. 4 is a rear view thereof;
FIG. 5 is a left side view thereof;
FIG. 6 is a right side view thereof;
FIG. 7 is a top view thereof;
FIG. 8 is a bottom view thereof;
FIG. 9 is a front perspective reference view thereof showing exemplary environmental articles used therewith; and,
FIG. 10 is a top reference view thereof showing the exemplary environmental articles of FIG. 9 used therewith.
The broken lines in the Figures show environment that forms no part of the claimed design. The shade lines in the Figures show transparency or translucency.

1 Claim, 9 Drawing Sheets



(56)

References Cited

OTHER PUBLICATIONS

U.S. PATENT DOCUMENTS

D426,405 S * 6/2000 Newhouse D6/691
 D447,892 S * 9/2001 Shih D6/691
 D459,621 S * 7/2002 O'Hare D6/691
 D513,676 S * 1/2006 Vaaler D6/691
 D518,981 S * 4/2006 O'Hare D6/691
 D522,274 S 6/2006 Coval
 D591,079 S 4/2009 Singler et al.
 D591,979 S 5/2009 Singler et al.
 D604,063 S * 11/2009 Oshinomi D6/656.16
 D613,968 S * 4/2010 Lambert D6/689
 D647,333 S * 10/2011 Navone D6/691
 D649,380 S * 11/2011 Townsend D6/691
 D655,949 S * 3/2012 Villiers D6/691
 D657,978 S 4/2012 Hamm et al.
 D659,433 S * 5/2012 Starck D6/656.19
 D661,129 S * 6/2012 Schweikarth D6/349
 D670,104 S * 11/2012 Li D6/691
 D678,696 S 3/2013 Hamm et al.
 D679,521 S 4/2013 Hamm et al.
 D688,494 S 8/2013 Hamm et al.
 D693,156 S 11/2013 Hamm et al.
 D713,658 S 9/2014 Tio et al.
 D753,419 S * 4/2016 Heirakuji D6/675
 2009/0095204 A1 * 4/2009 Levy A47B 7/02
 108/17
 2010/0290215 A1 * 11/2010 Metcalf A47B 21/00
 362/127
 2015/0150370 A1 * 6/2015 Korb A47B 13/06
 108/155

Japanese Patent Office Document HA14019873, dated by JPO Dec. 1, 2012.
 Japanese Patent Office Document HA24006766, dated by JPO Sep. 1, 2012.
 Japanese Patent Office Document HC13007386.
 U.S. Appl. No. 29/432,722, filed Sep. 19, 2012.
 U.S. Appl. No. 29/469,978, filed Oct. 16, 2013.
 U.S. Appl. No. 29/471,331, filed Oct. 30, 2013.
 U.S. Appl. No. 29/489,107, filed Apr. 25, 2014.
 U.S. Appl. No. 29/493,879, filed Jun. 13, 2014.
 U.S. Appl. No. 29/495,788, filed Jul. 3, 2014.
 U.S. Appl. No. 29/499,677, filed Aug. 18, 2014.
 U.S. Appl. No. 29/500,951, filed Aug. 29, 2014.
 U.S. Appl. No. 29/501,029, filed Aug. 29, 2014.
 Neil Hughes, "Apple retail stores 'bulging at the seams' at 8400 average square feet," Appleinsider.com, dated May 8, 2012, accessed at <http://appleinsider.com/articles/12/05/08/apple_retail_stores_bulging_at_the_seams_at_8400_average_square_feet>, accessed on Oct. 10, 2014, 2 pages.
 Valentina Palladino, "Apple Store Receives Trademark for 'Distinctive Design and Layout,'" Wired.com, dated Jan. 30, 2013, accessed at <<http://www.wired.com/2013/01/apple-store-trademark/>>, accessed on Oct. 10, 2014, 2 pages.

* cited by examiner

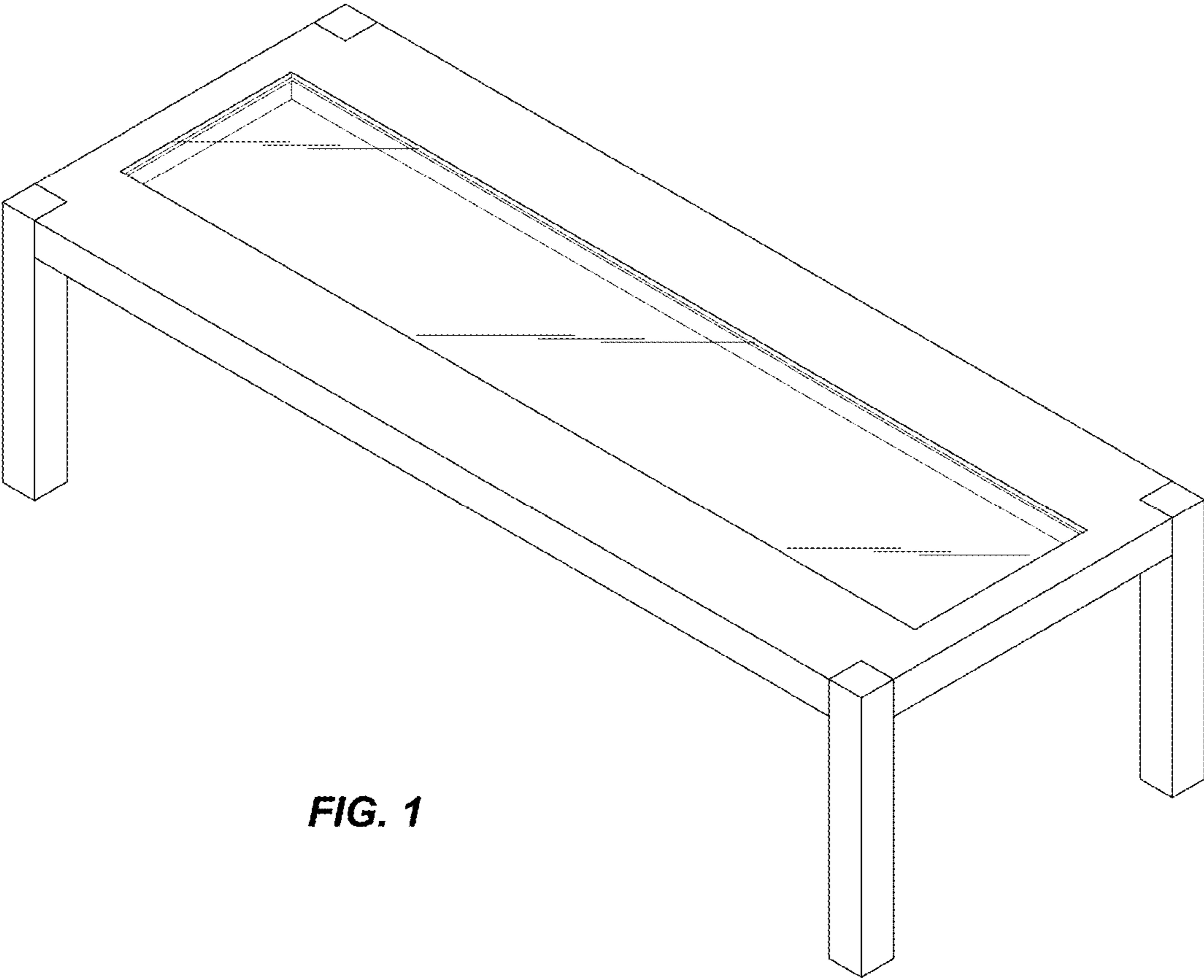


FIG. 1

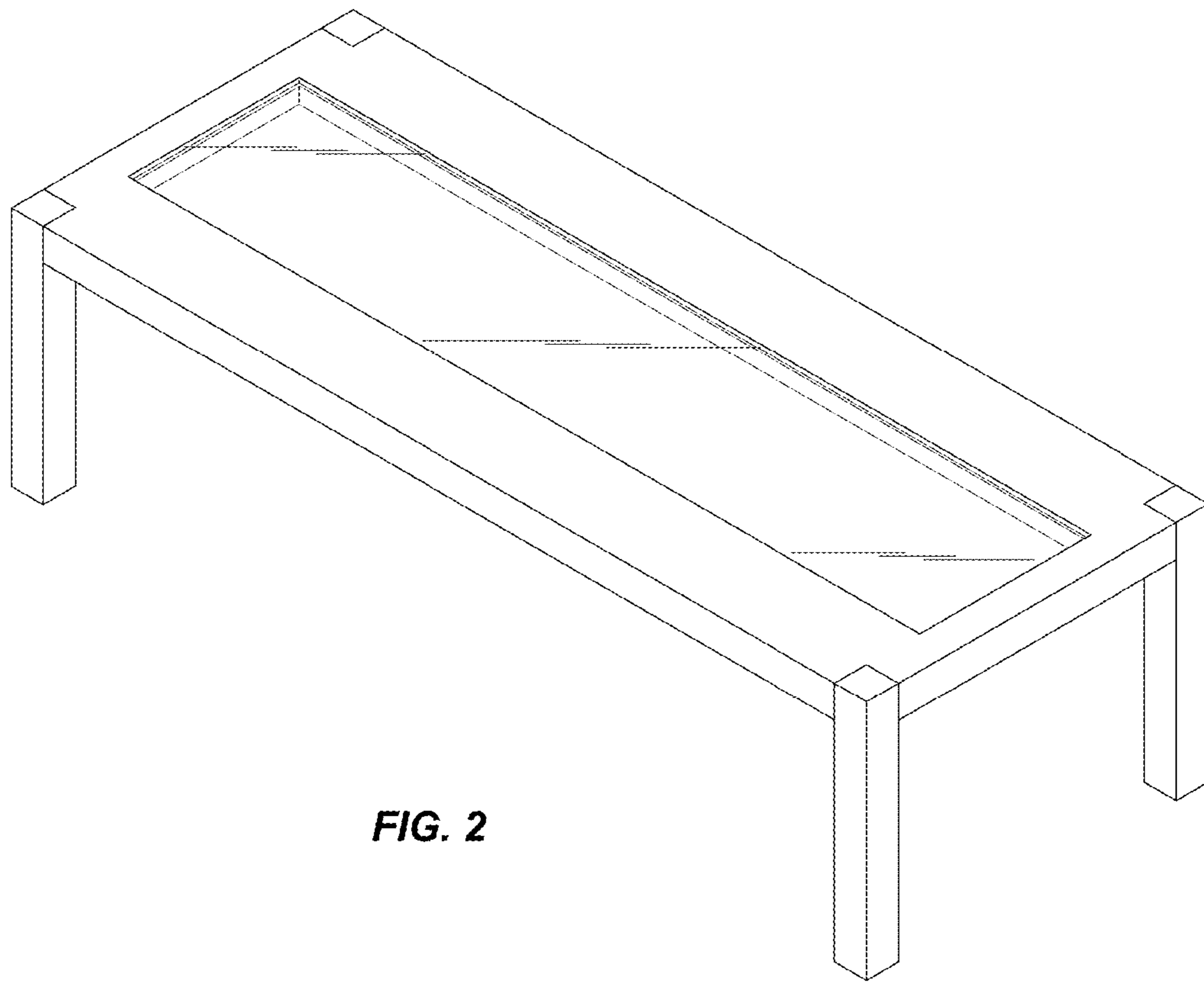


FIG. 2



FIG. 3

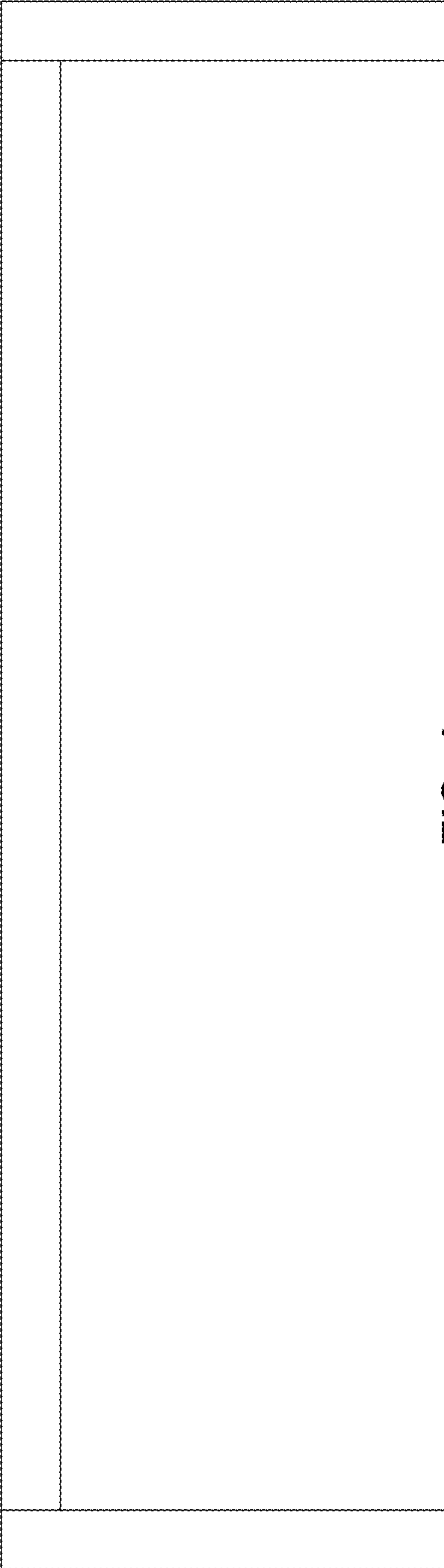


FIG. 4

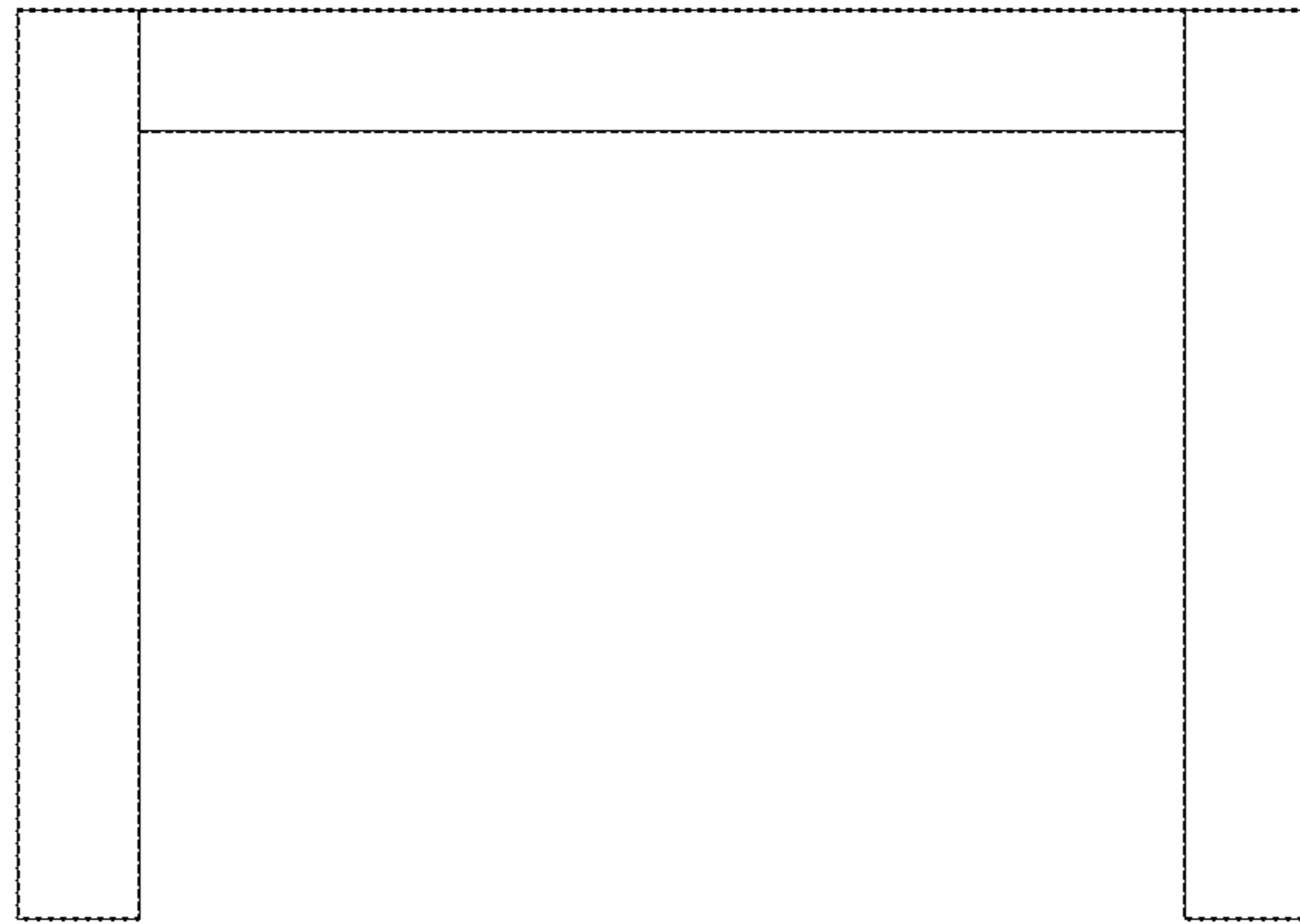


FIG. 5

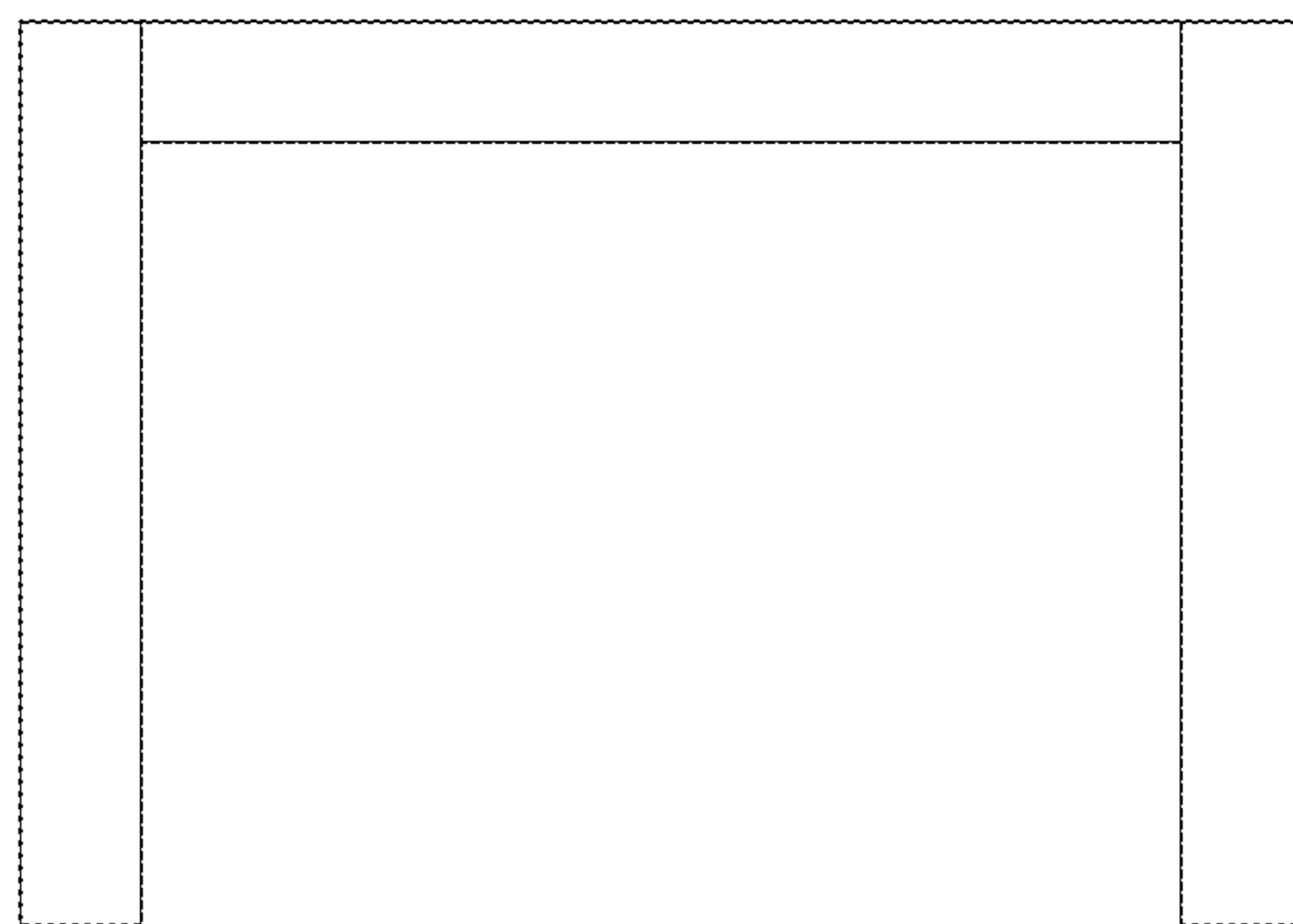


FIG. 6

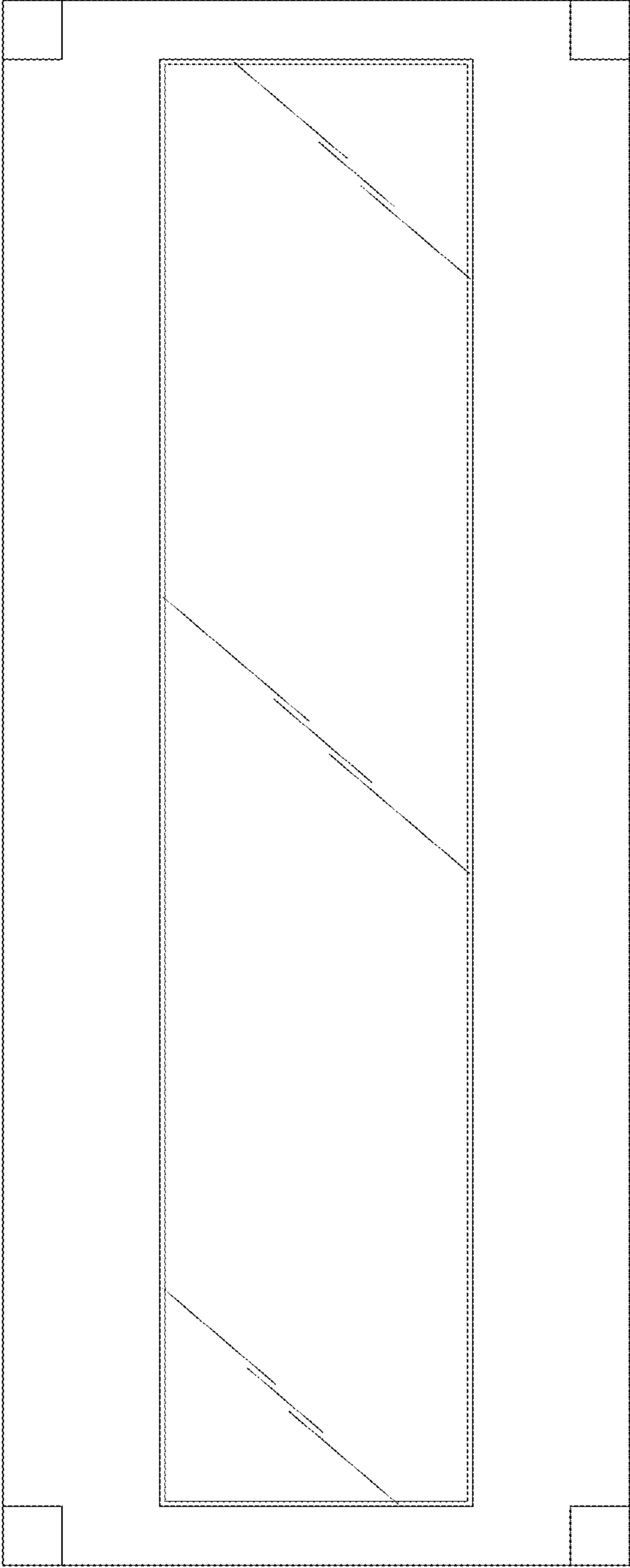


FIG. 7

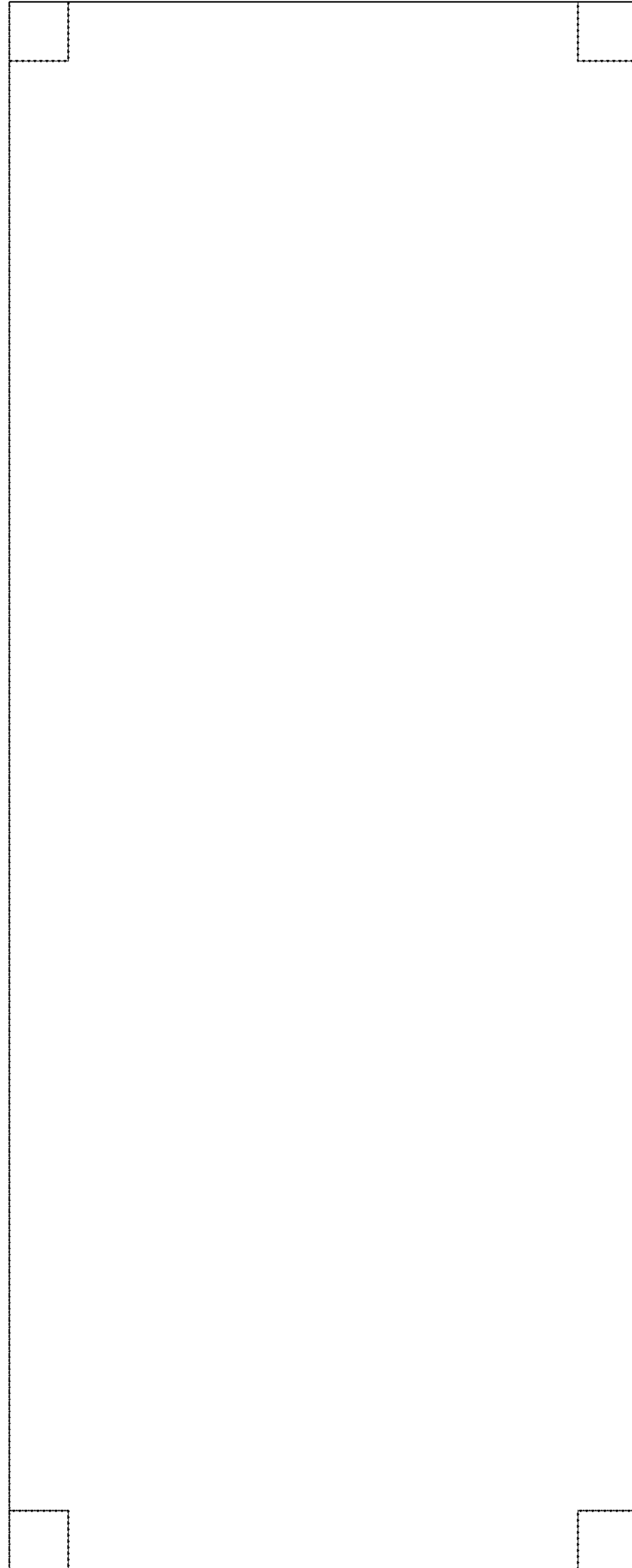


FIG. 8

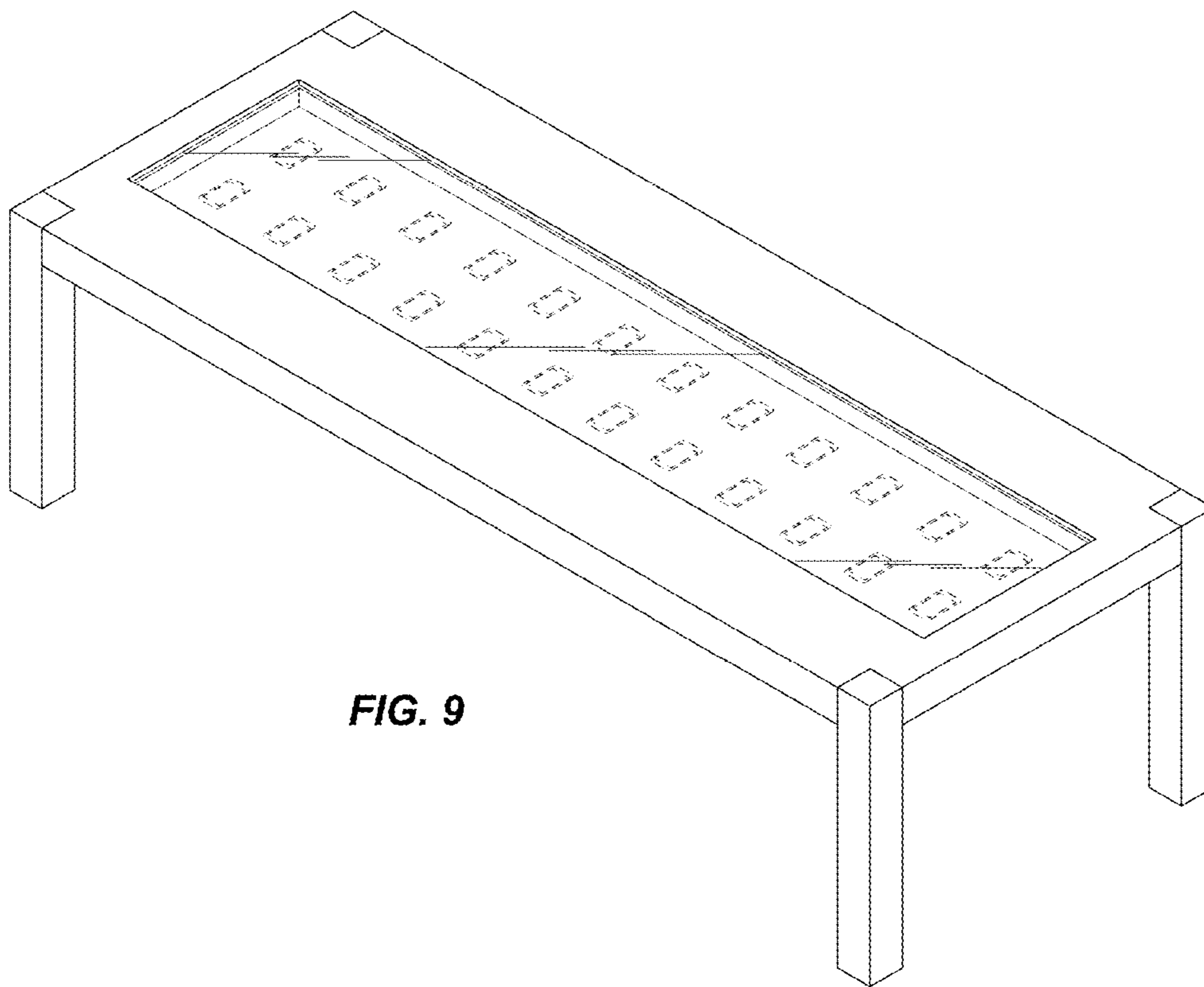


FIG. 9

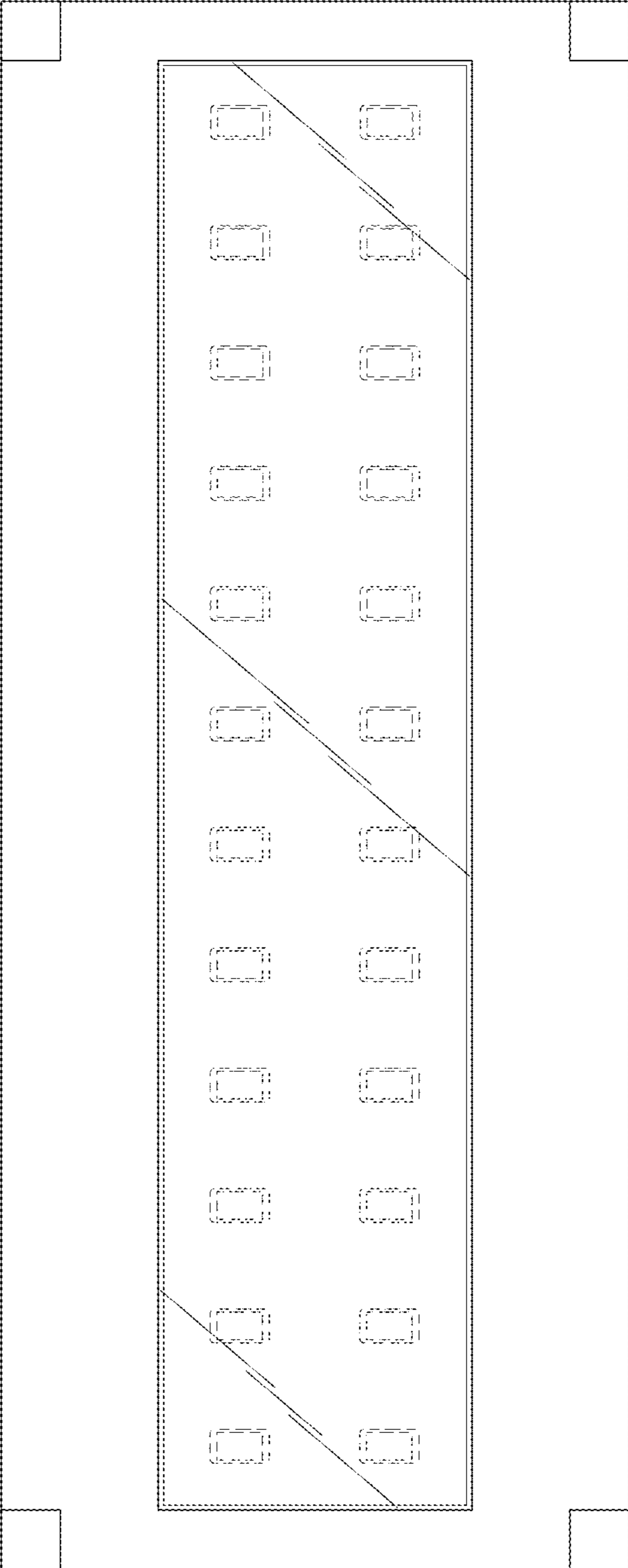


FIG. 10