

US00D769651S

(12) **United States Design Patent** (10) **Patent No.:** **US D769,651 S**
Tio et al. (45) **Date of Patent:** **** *Oct. 25, 2016**

(54) **DISPLAY STRUCTURE**

- (71) Applicant: **Apple Inc.**, Cupertino, CA (US)
- (72) Inventors: **Federico F. Tio**, Santa Cruz, CA (US);
Frank Craig Thaler, Santa Cruz, CA (US);
Wesley Bryan Hamm, San Francisco, CA (US); **Kevin Fenton Smeds**, San Francisco, CA (US);
Russell John Kaaihue Heirakuji, Cupertino, CA (US)
- (73) Assignee: **Apple Inc.**, Cupertino, CA (US)
- (*) Notice: This patent is subject to a terminal disclaimer.
- (**) Term: **15 Years**
- (21) Appl. No.: **29/534,157**
- (22) Filed: **Jul. 27, 2015**

Related U.S. Application Data

- (63) Continuation of application No. 29/499,677, filed on Aug. 18, 2014, now Pat. No. Des. 734,965, which is a continuation of application No. 29/432,724, filed on Sep. 19, 2012, now Pat. No. Des. 713,658.
- (51) **LOC (10) Cl.** **06-06**
- (52) **U.S. Cl.**
USPC **D6/675**
- (58) **Field of Classification Search**
USPC D6/468, 470, 473-479, 396-397,
D6/432-436, 449-451, 672-673,
D6/675-675.1; D16/221, 225, 228;
D14/126-129; D20/10, 19
CPC ... A47F 5/0018; A47F 5/0043; A47F 5/0081
See application file for complete search history.

(56) **References Cited**

U.S. PATENT DOCUMENTS

- 3,721,413 A 3/1973 Robinson
- D291,512 S 8/1987 Everett

(Continued)

Primary Examiner — Kelley Donnelly

(74) *Attorney, Agent, or Firm* — Sterne, Kessler, Goldstein & Fox P.L.L.C.

(57) **CLAIM**

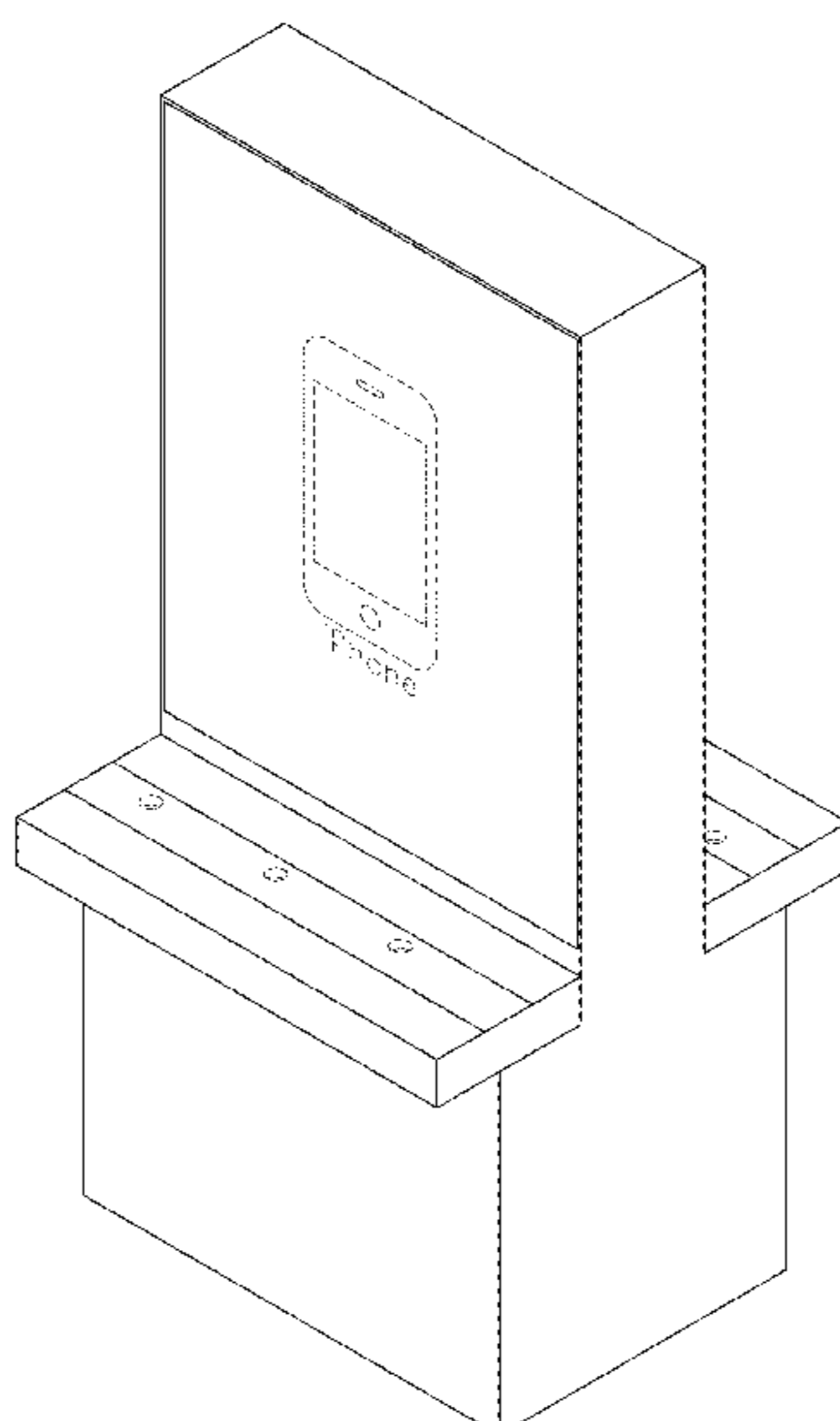
The ornamental design for a display structure, as shown and described.

DESCRIPTION

FIG. 1 is a top front perspective view of a display structure showing our new design;
 FIG. 2 is a front view thereof;
 FIG. 3 is a rear view thereof;
 FIG. 4 is a left side view thereof;
 FIG. 5 is a right side view thereof;
 FIG. 6 is a top view thereof;
 FIG. 7 is a bottom view thereof;
 FIG. 8 is a top front perspective view of another display structure showing our new design;
 FIG. 9 is a front view thereof;
 FIG. 10 is a rear view thereof;
 FIG. 11 is a left side view thereof;
 FIG. 12 is a right side view thereof;
 FIG. 13 is a top view thereof;
 FIG. 14 is a bottom view thereof;
 FIG. 15 is a top front perspective view of another display structure showing our new design;
 FIG. 16 is a front view thereof;
 FIG. 17 is a rear view thereof;
 FIG. 18 is a left side view thereof;
 FIG. 19 is a right side view thereof;
 FIG. 20 is a top view thereof;
 FIG. 21 is a bottom view thereof;
 FIG. 22 is a top front perspective view of another display structure showing our new design;
 FIG. 23 is a front view thereof;
 FIG. 24 is a rear view thereof;
 FIG. 25 is a left side view thereof;
 FIG. 26 is a right side view thereof;
 FIG. 27 is a top view thereof; and,
 FIG. 28 is a bottom view thereof.

The broken lines in the Figures show portions of the display structure and environment that form no part of the claimed design.

1 Claim, 22 Drawing Sheets



(56)

References Cited

U.S. PATENT DOCUMENTS

D317,681 S	6/1991	Stewart et al.	D632,903 S	2/2011	Paul
D321,100 S	10/1991	Dorrell	D636,441 S	4/2011	Potts
D351,863 S	10/1994	Sarkisian et al.	D639,086 S	6/2011	Curbbun et al.
D354,638 S	1/1995	Todd et al.	D649,192 S	11/2011	Beukema et al.
D377,012 S	12/1996	Oslund	D657,978 S	4/2012	Hamm et al.
5,607,070 A	3/1997	Hellyer	D658,615 S	5/2012	Chiu
D379,377 S	5/1997	Rath	D660,361 S	5/2012	Carver, Jr.
D392,686 S	3/1998	Sarkisian et al.	D661,123 S	6/2012	Curbbun et al.
D395,677 S	6/1998	Gongora et al.	D661,124 S	6/2012	Curbbun et al.
D397,562 S	9/1998	DePottey et al.	8,228,668 B2	7/2012	Asamarai et al.
D398,653 S	9/1998	Hiraguchi et al.	D671,535 S	11/2012	Terashima et al.
5,890,607 A	4/1999	Maglione	D678,696 S	3/2013	Hamm et al.
D434,929 S	12/2000	Heiny et al.	D679,521 S	4/2013	Hamm et al.
D438,256 S	2/2001	Timmermans et al.	D688,494 S	8/2013	Hamm et al.
D443,308 S	6/2001	Kovell	D693,156 S	11/2013	Hamm et al.
D468,134 S	1/2003	Oikawa	D717,573 S *	11/2014	Fishman D20/44
D478,582 S	8/2003	Becker et al.	D722,313 S	2/2015	Birgeoglu
D509,543 S	9/2005	Hillstrom et al.	D722,794 S	2/2015	Luong
D559,577 S *	1/2008	Quinn D6/300	D723,025 S	2/2015	Birgeoglu
D584,075 S	1/2009	Hung	D723,026 S *	2/2015	Birgeoglu D14/307
D585,943 S	2/2009	Pymm et al.	D725,108 S *	3/2015	Yeon D14/376
D590,630 S *	4/2009	Singler D6/663	D727,995 S *	4/2015	Vilcovsky D16/221
D591,531 S	5/2009	Sparkowski	D728,281 S	5/2015	Heirakuji et al.
D591,974 S *	5/2009	Singler D6/663	D742,455 S *	11/2015	Denby D20/19
D592,422 S	5/2009	Rheault	D742,870 S *	11/2015	Berini D14/307
D610,832 S	3/2010	Rheault	D750,970 S *	3/2016	Moreno D9/664
D613,344 S *	4/2010	Hradisky D21/524	D753,754 S *	4/2016	Vilcovsky D16/221
			2005/0279033 A1	12/2005	Faber et al.
			2014/0306584 A1 *	10/2014	DeMars A47F 9/00 312/140.2

* cited by examiner

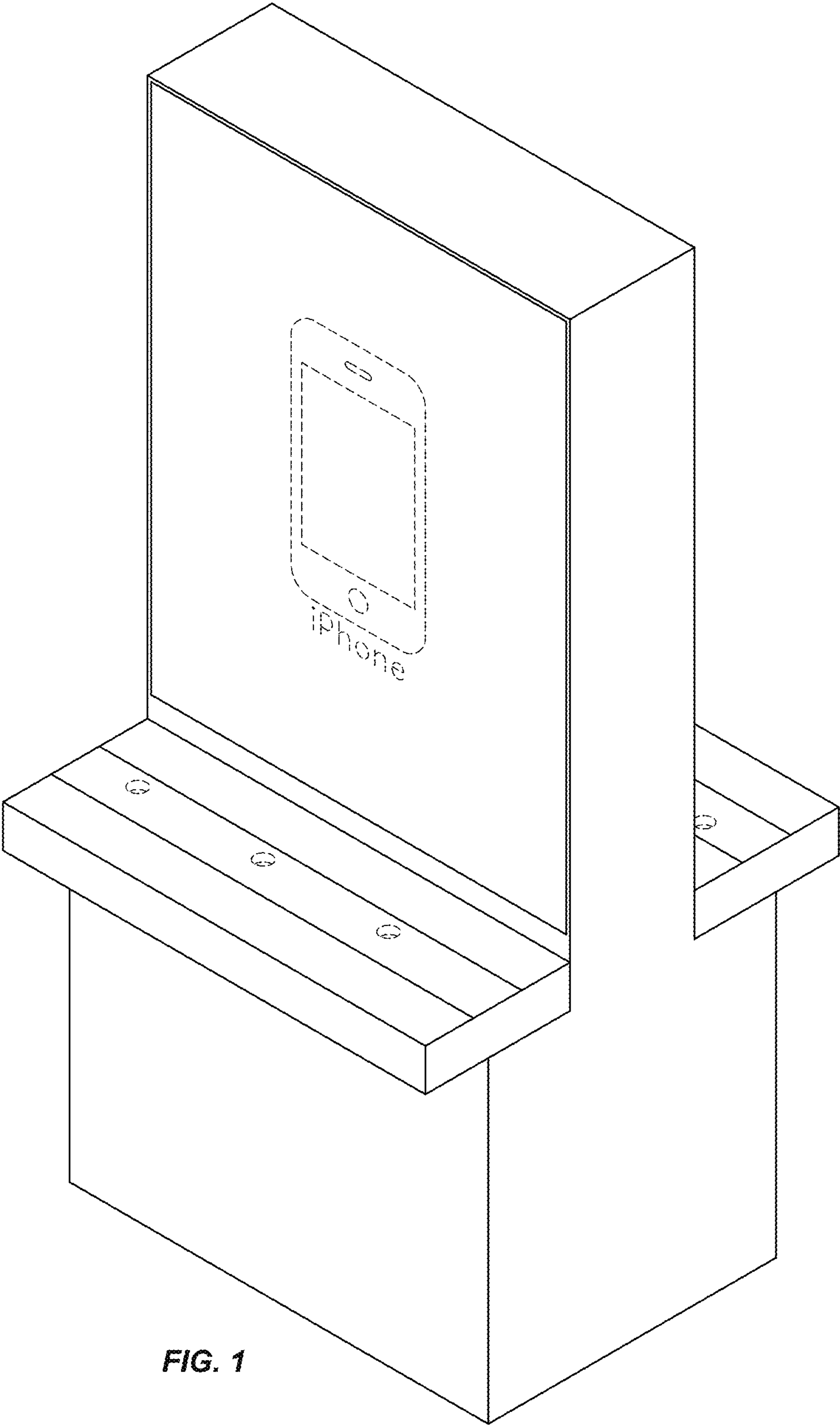


FIG. 1

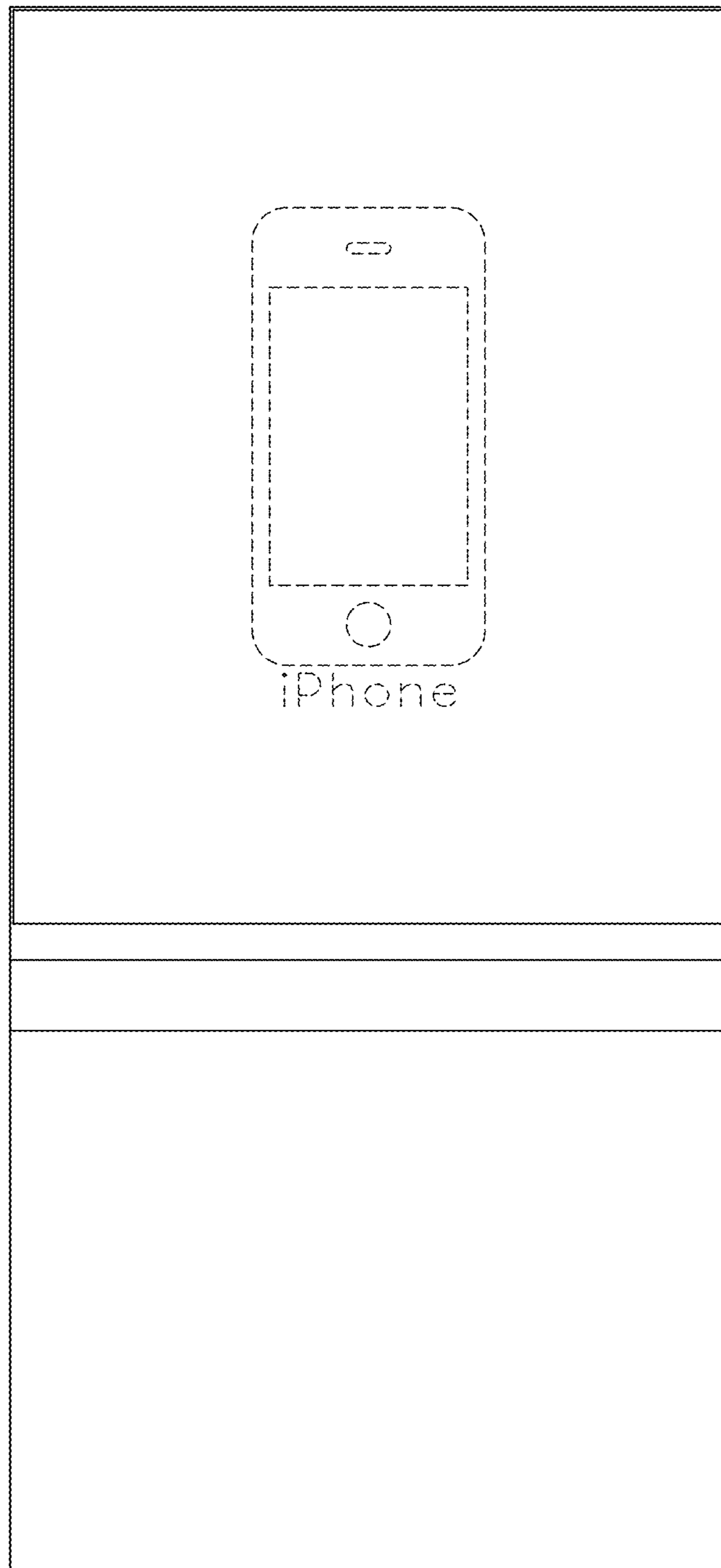


FIG. 2

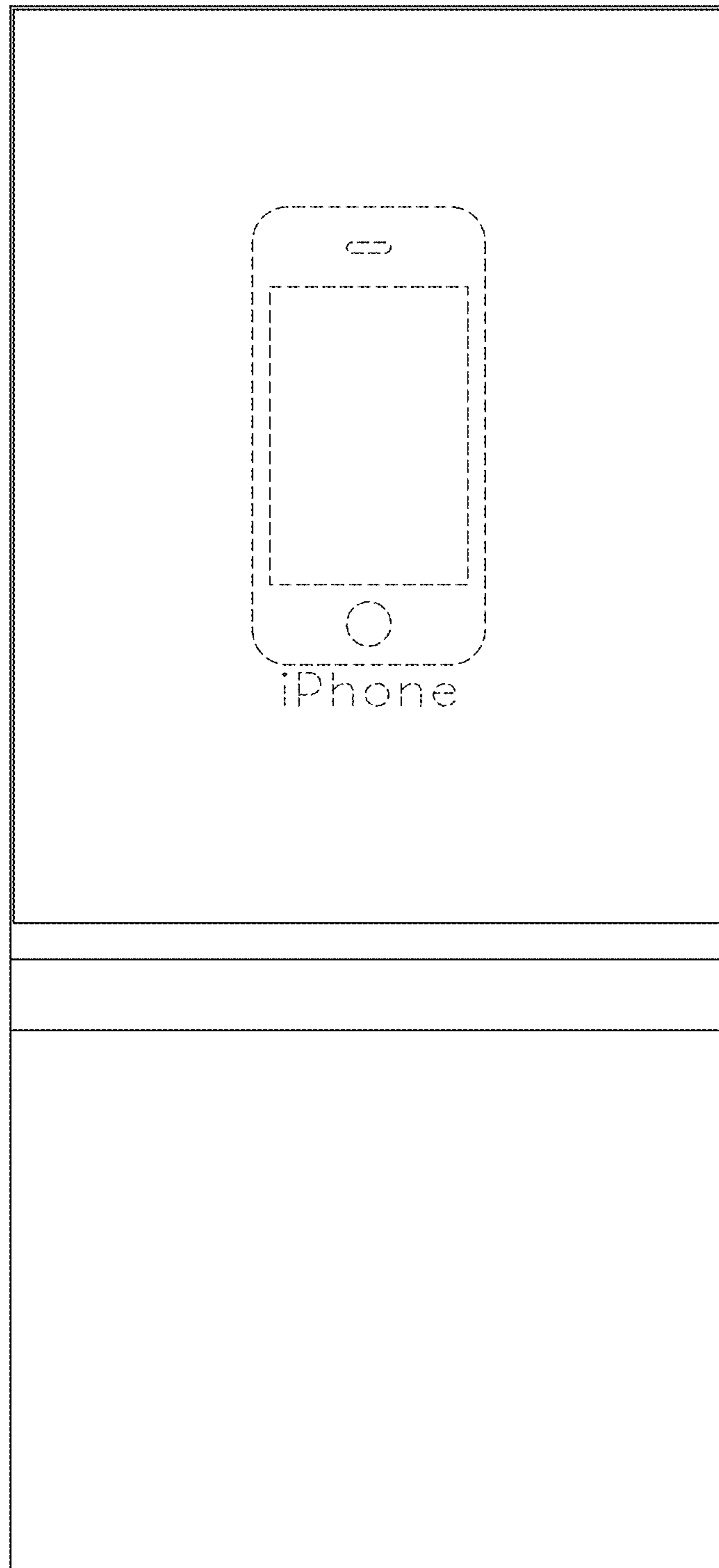


FIG. 3

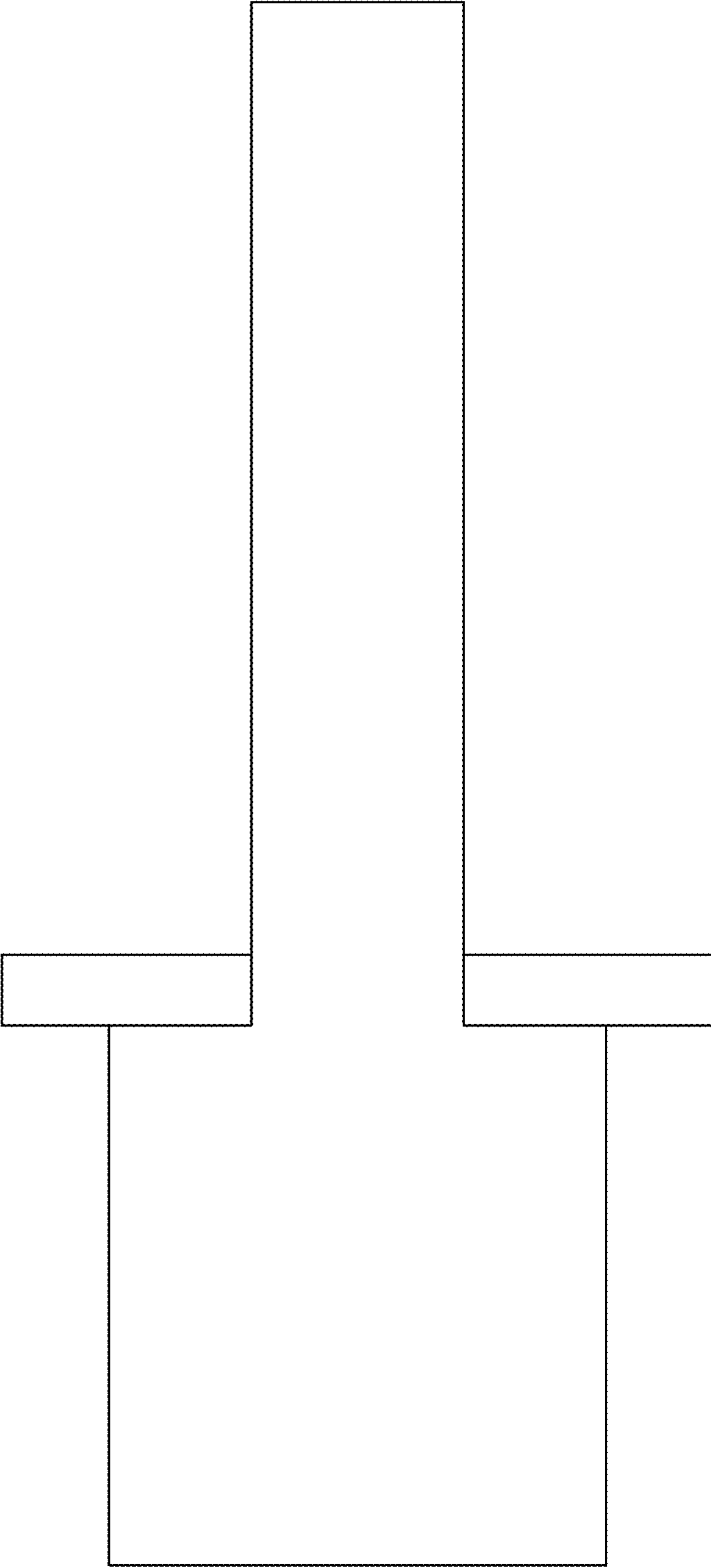


FIG. 4

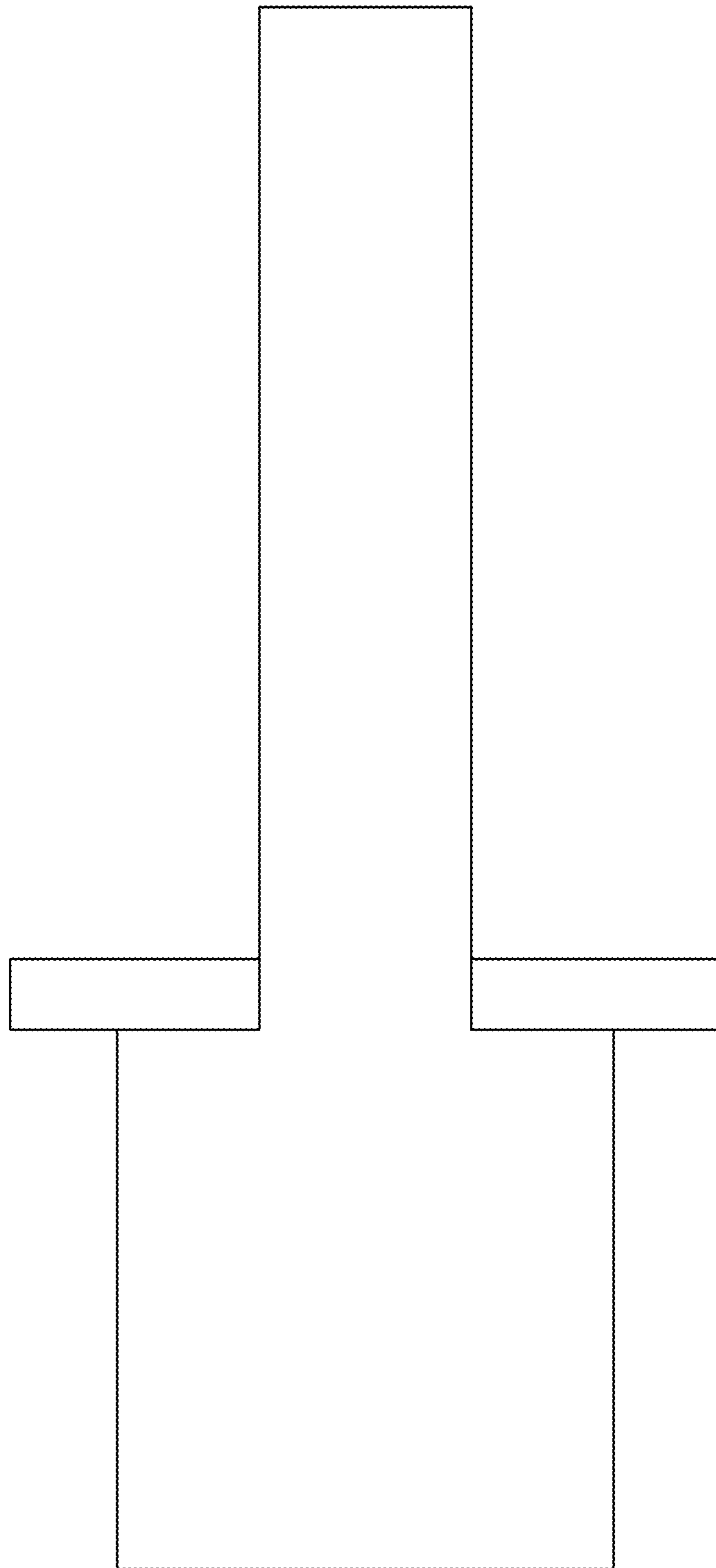


FIG. 5

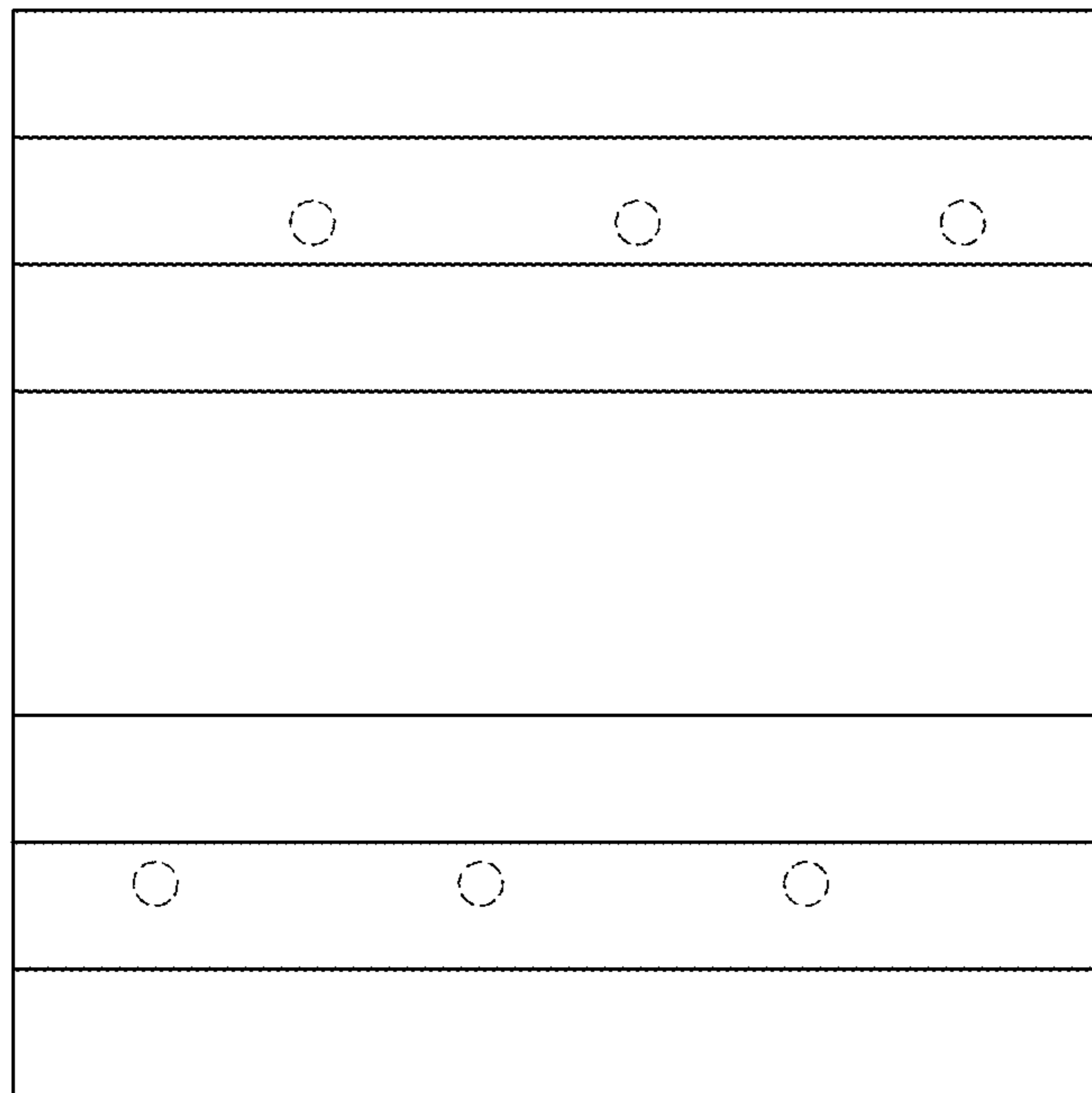


FIG. 6

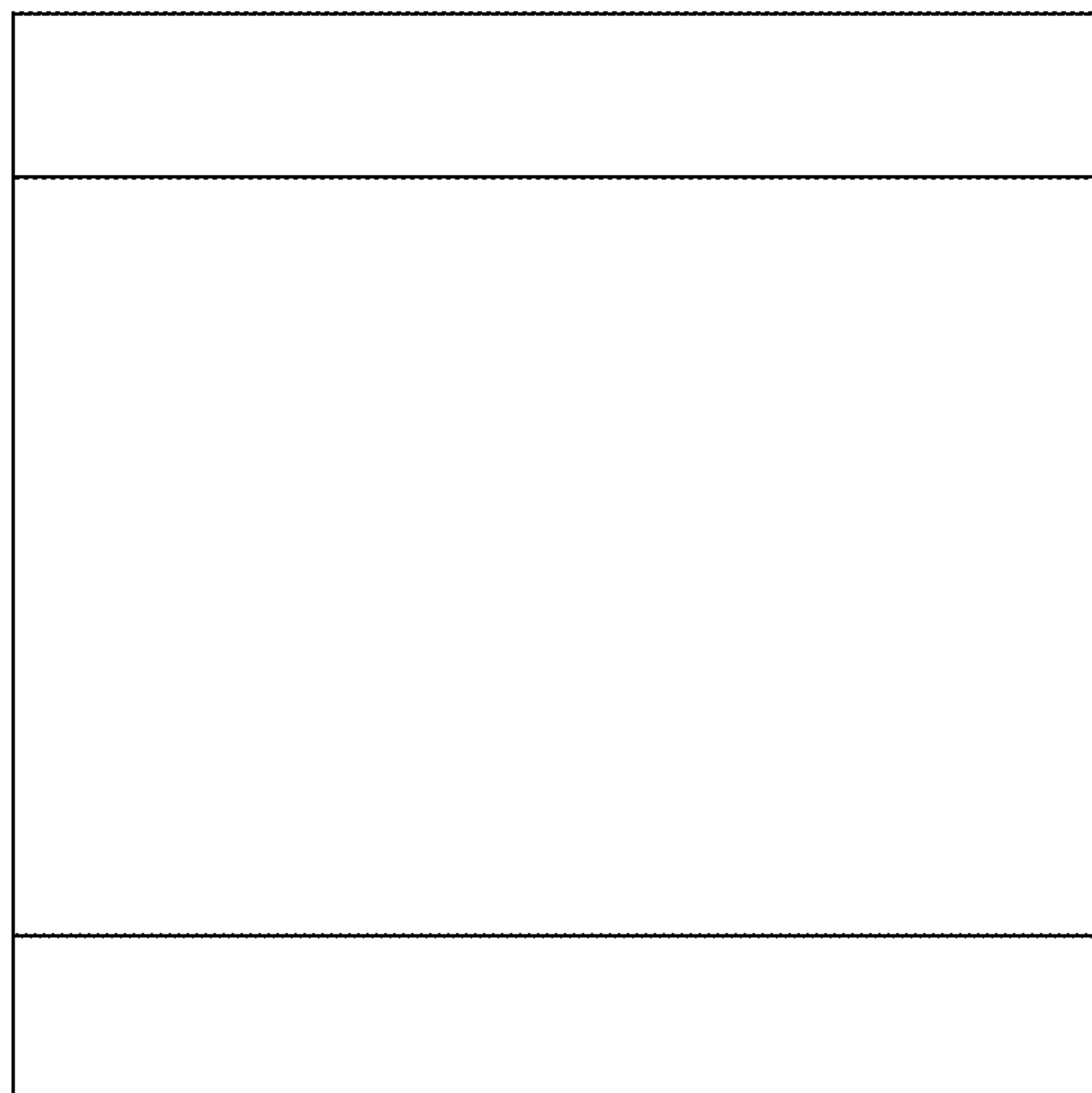


FIG. 7

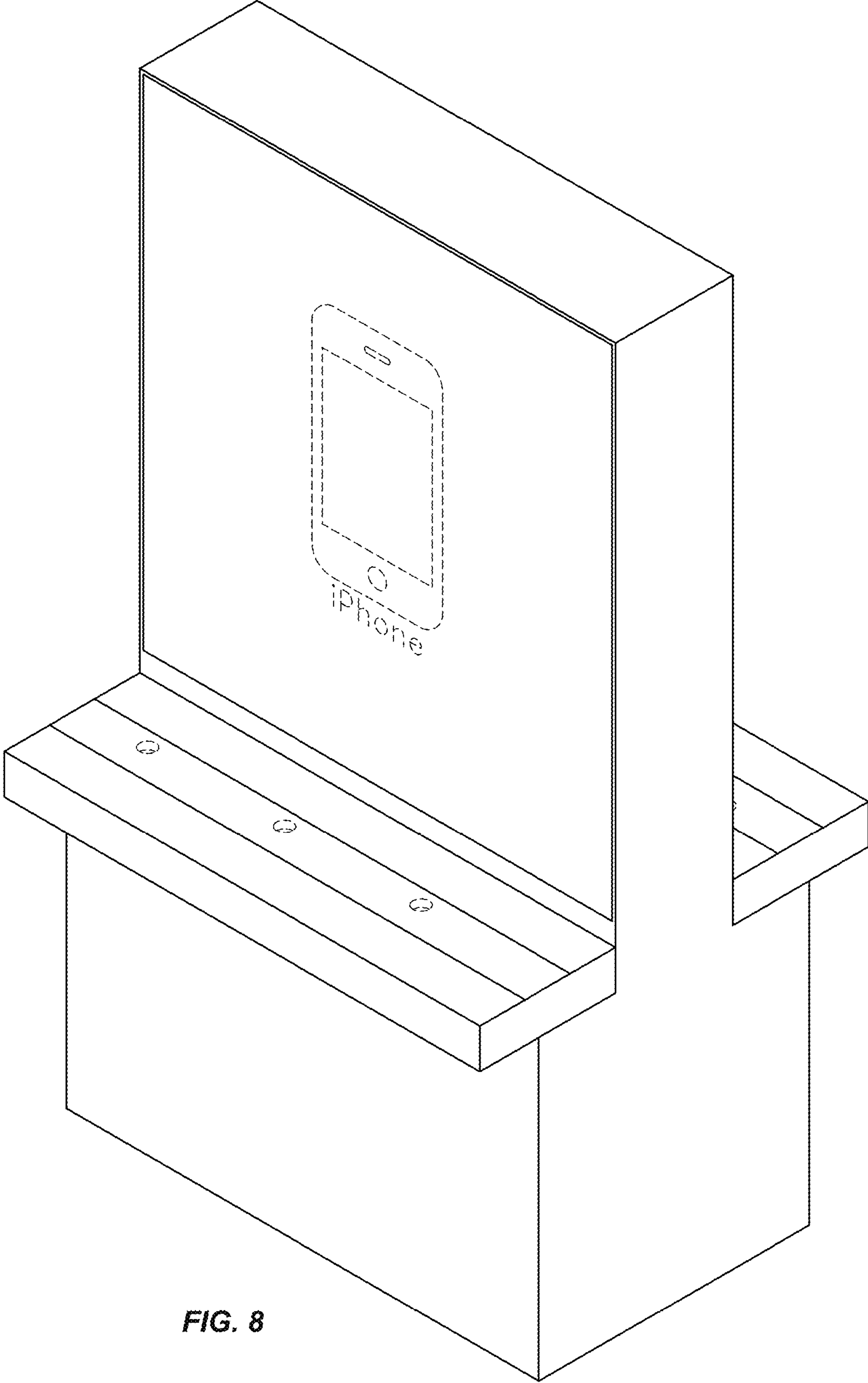


FIG. 8

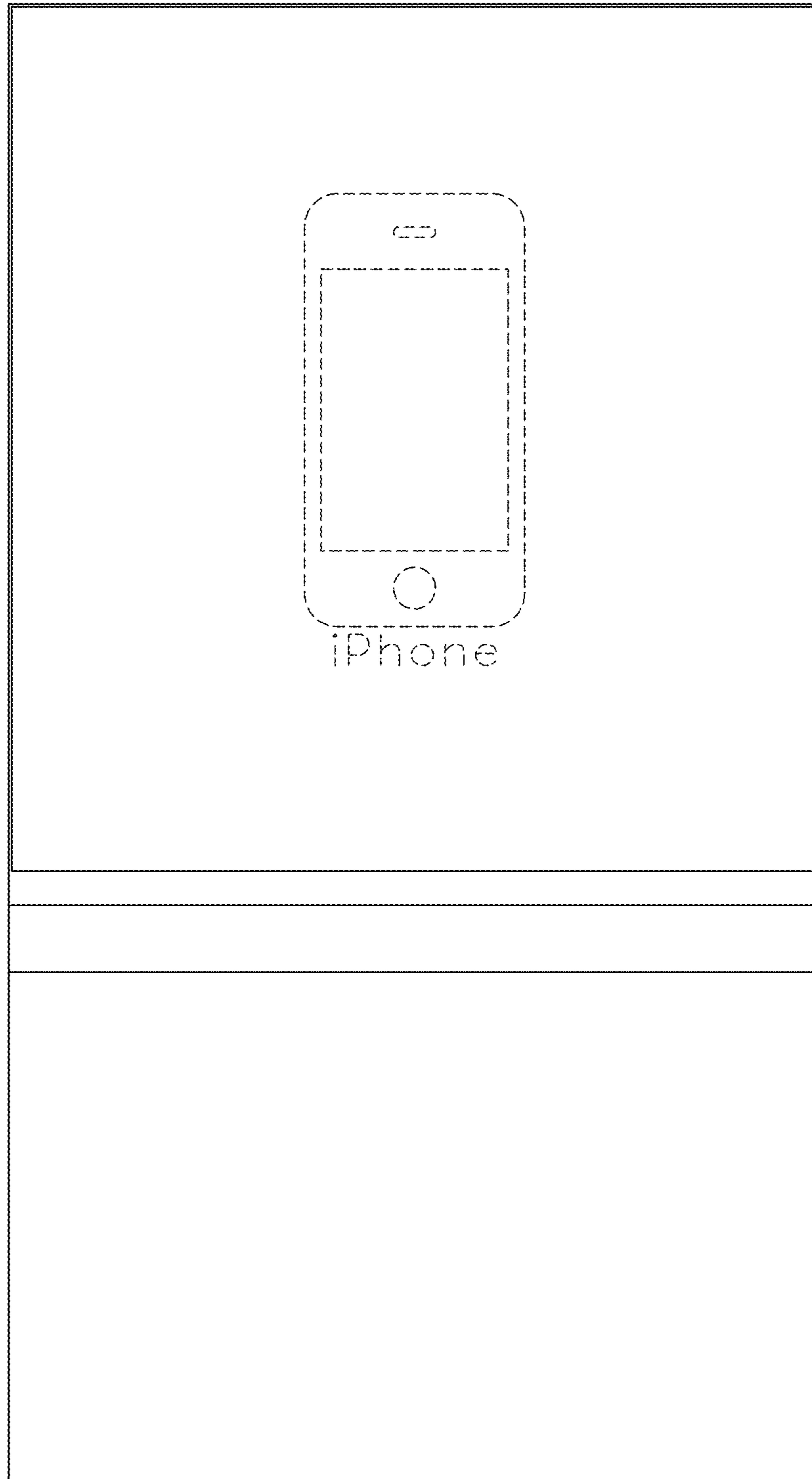


FIG. 9

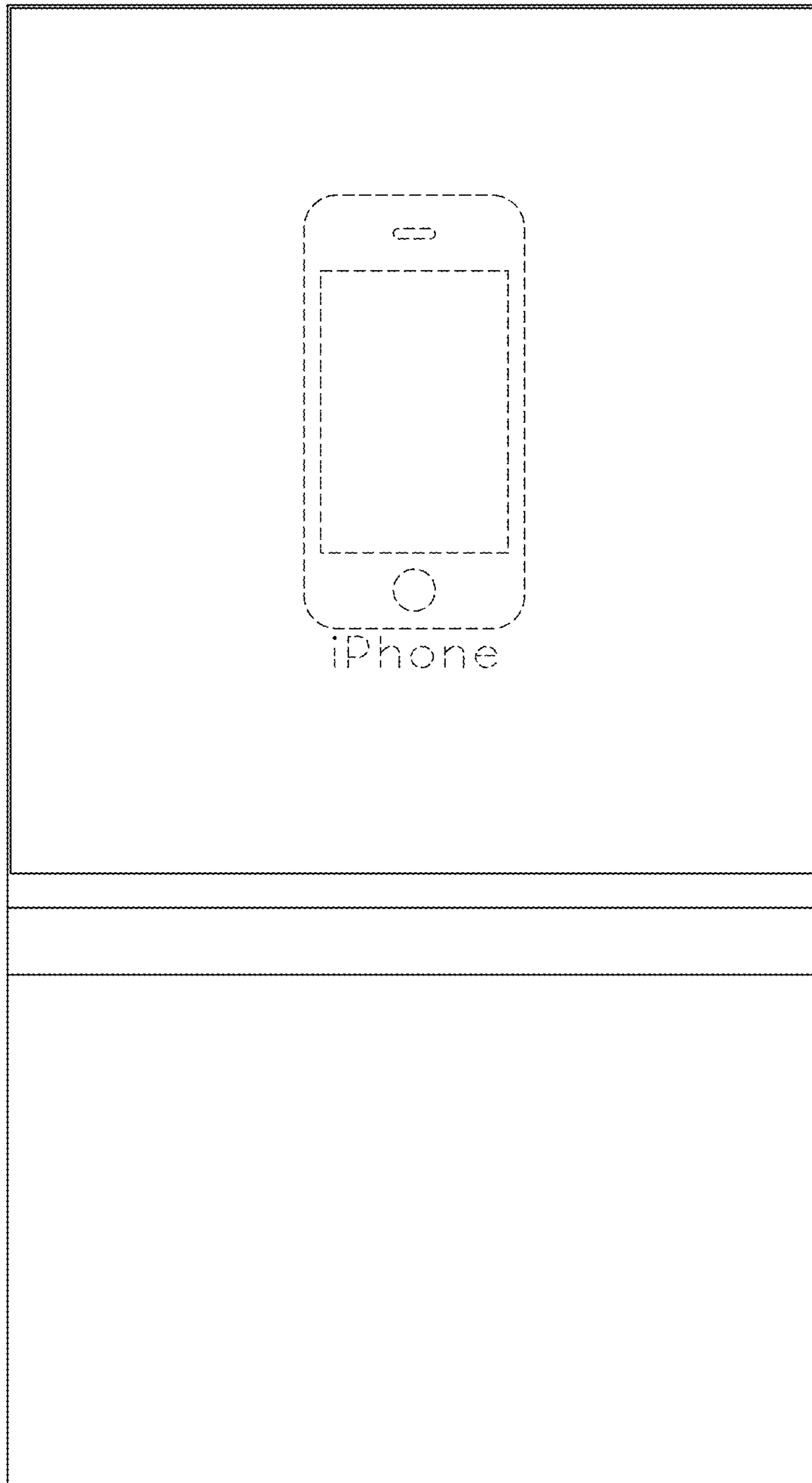


FIG. 10

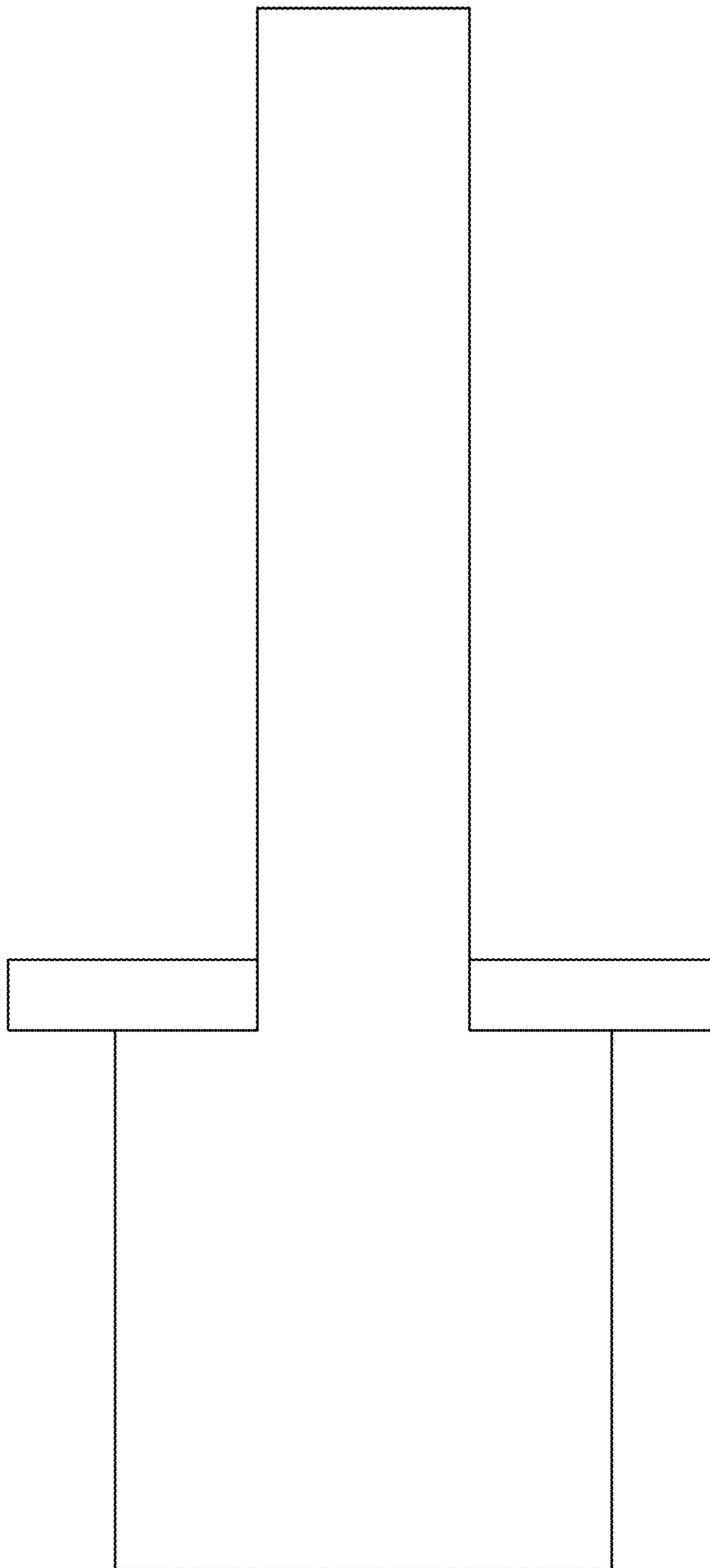


FIG. 11

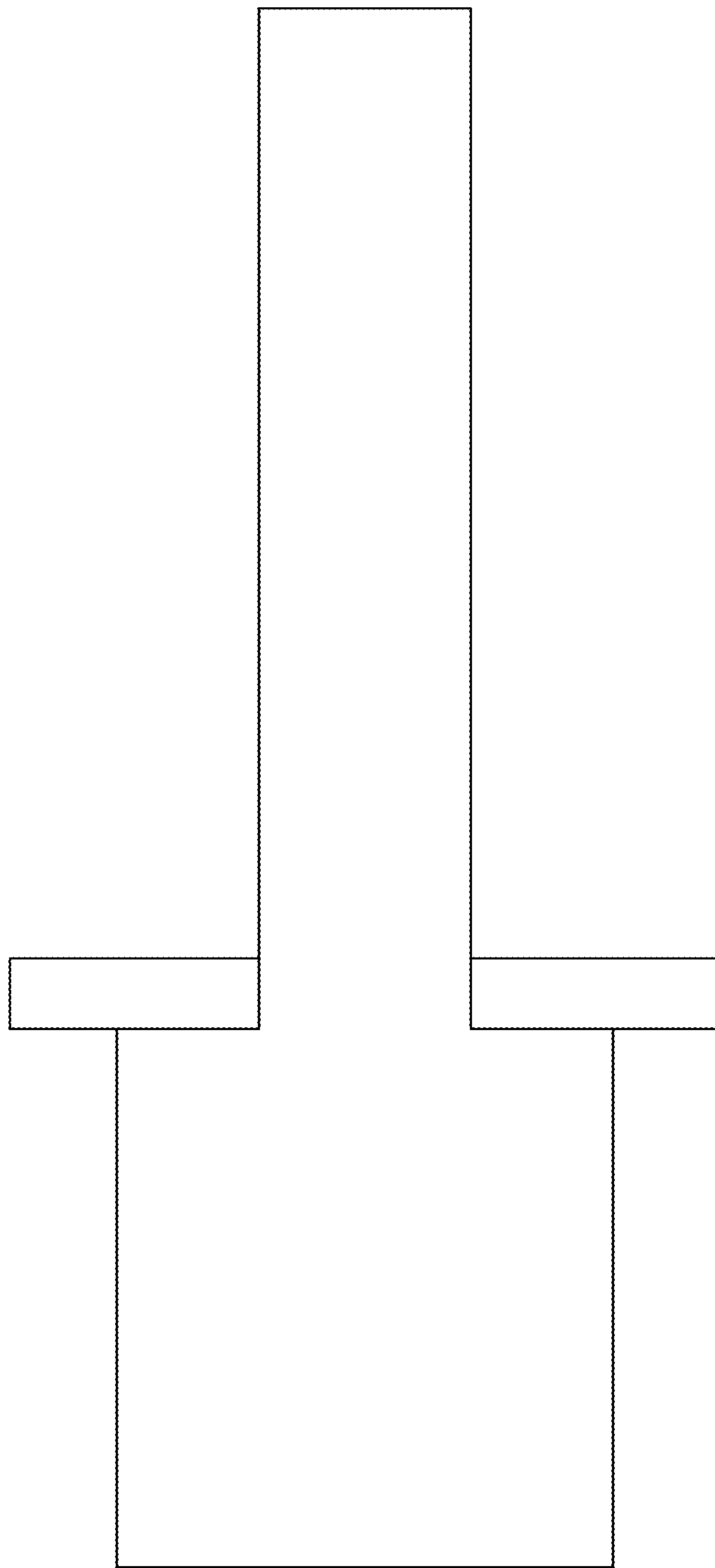


FIG. 12

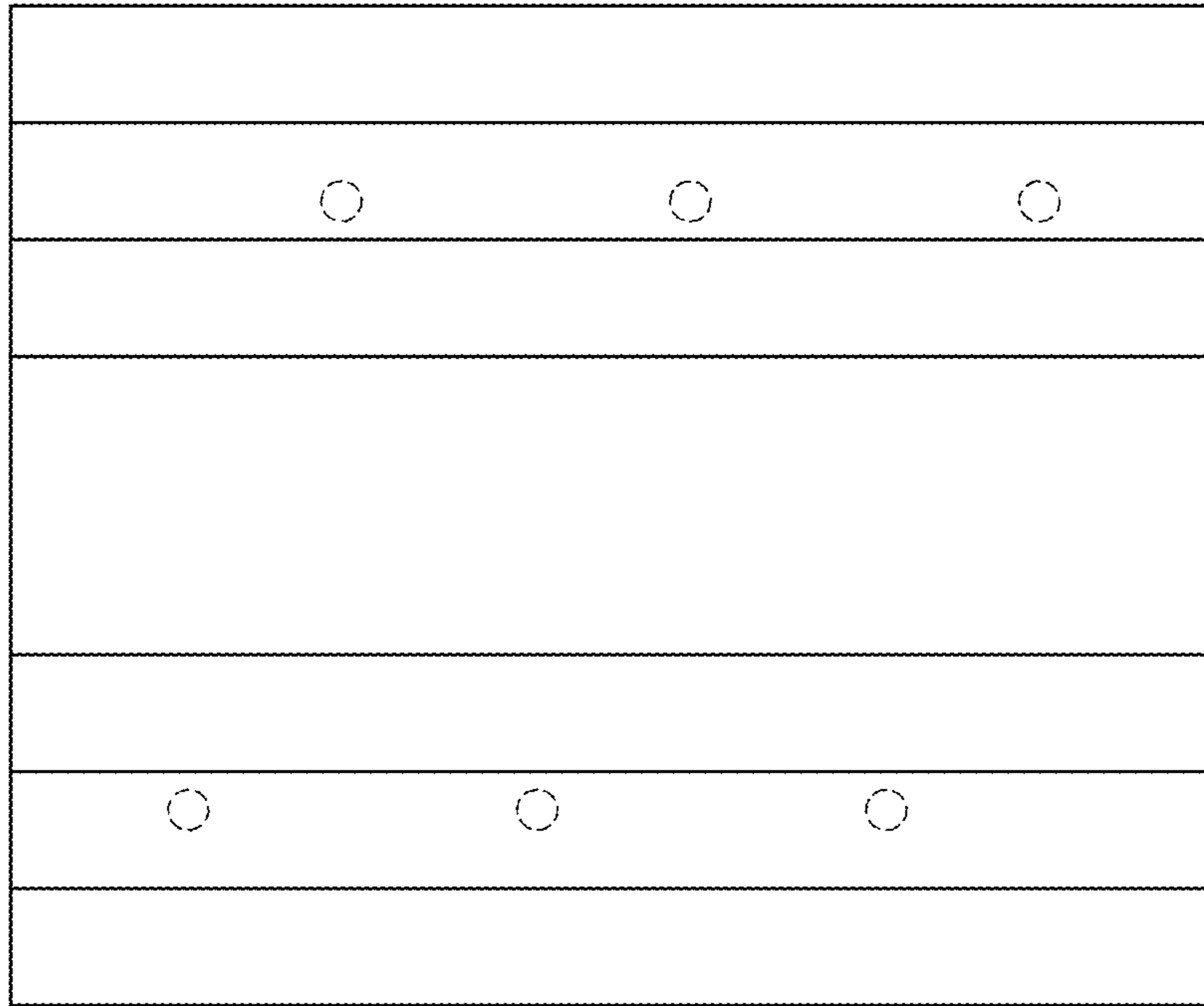


FIG. 13

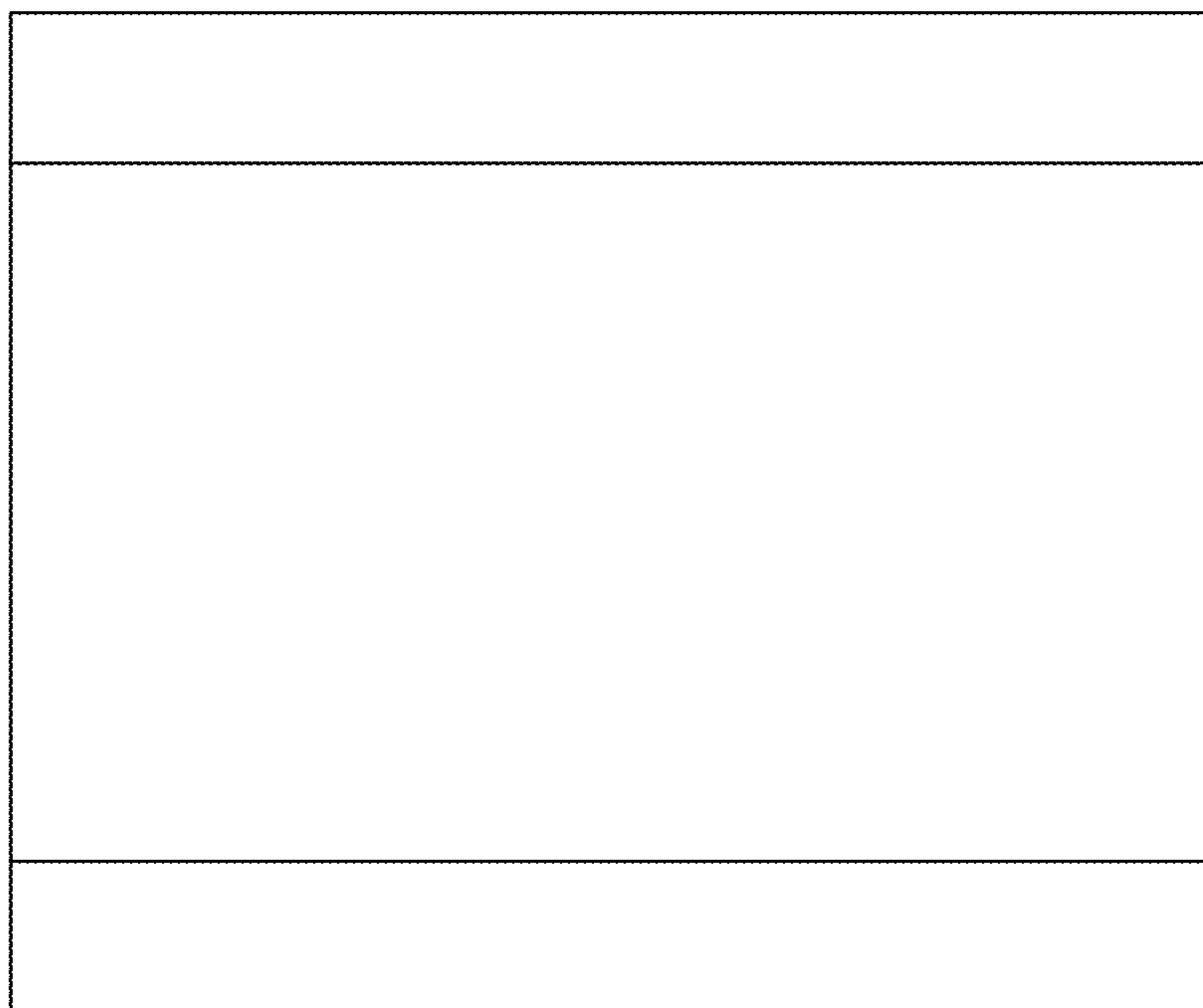


FIG. 14

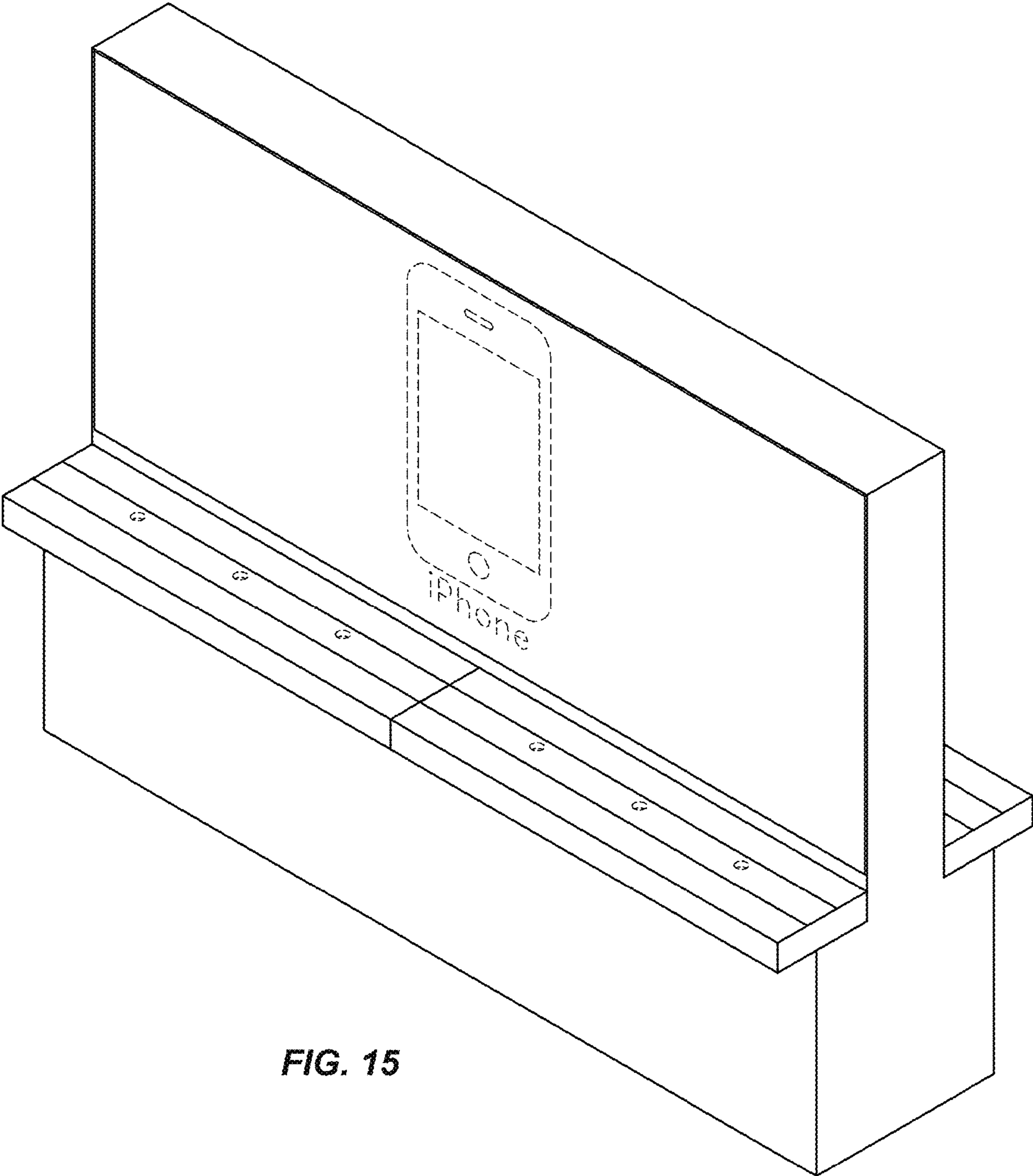


FIG. 15

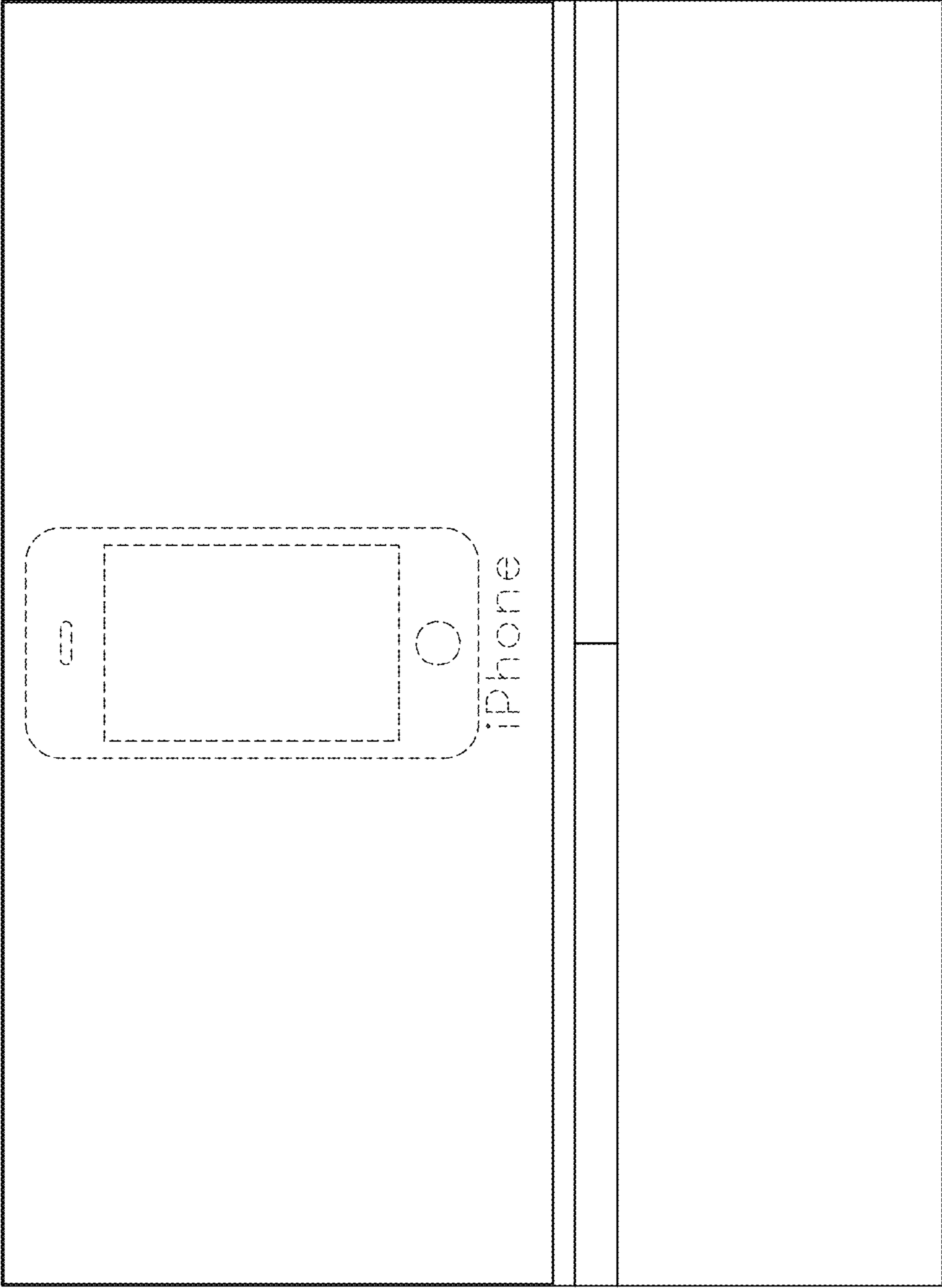


FIG. 16

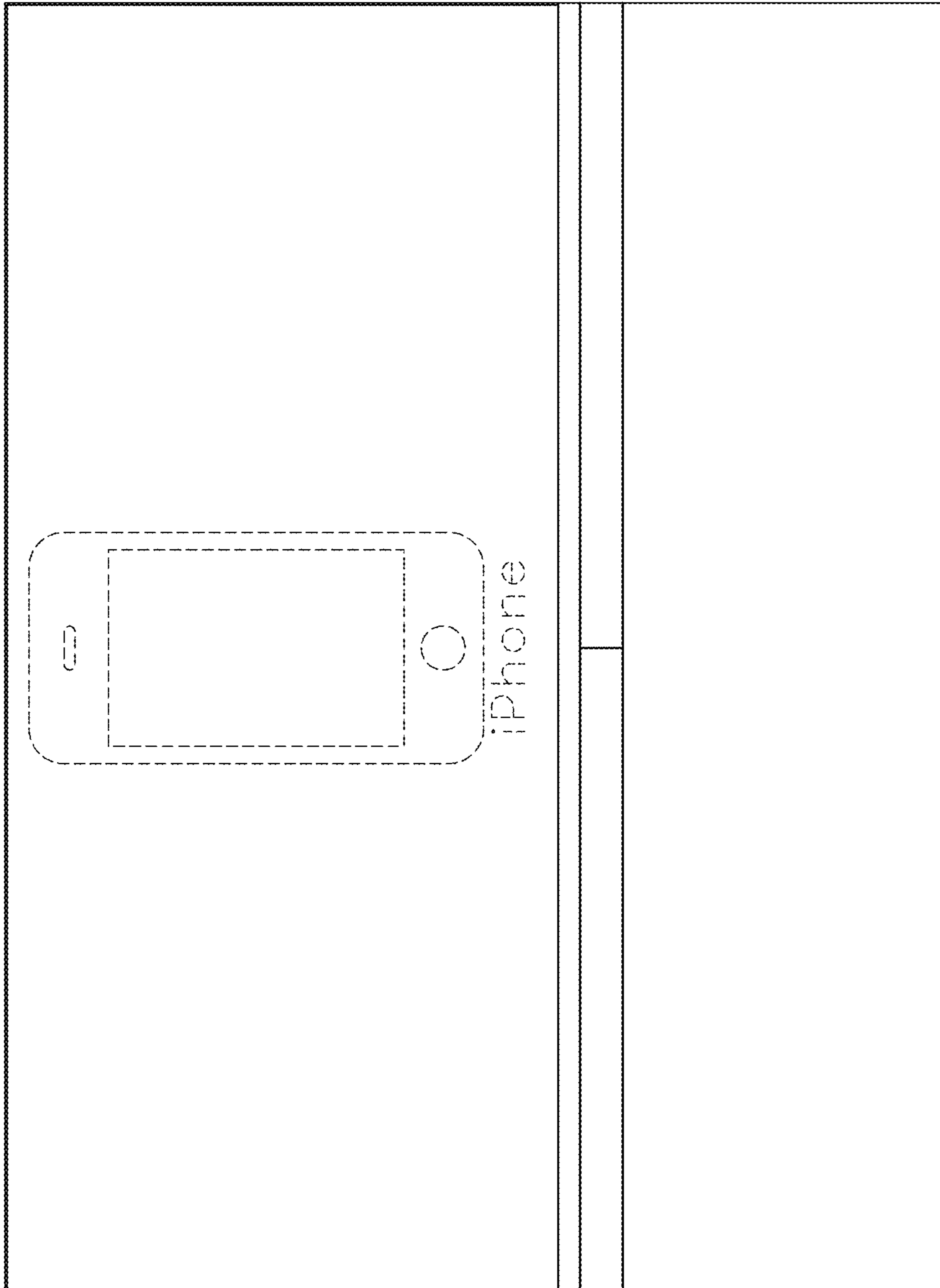


FIG. 17

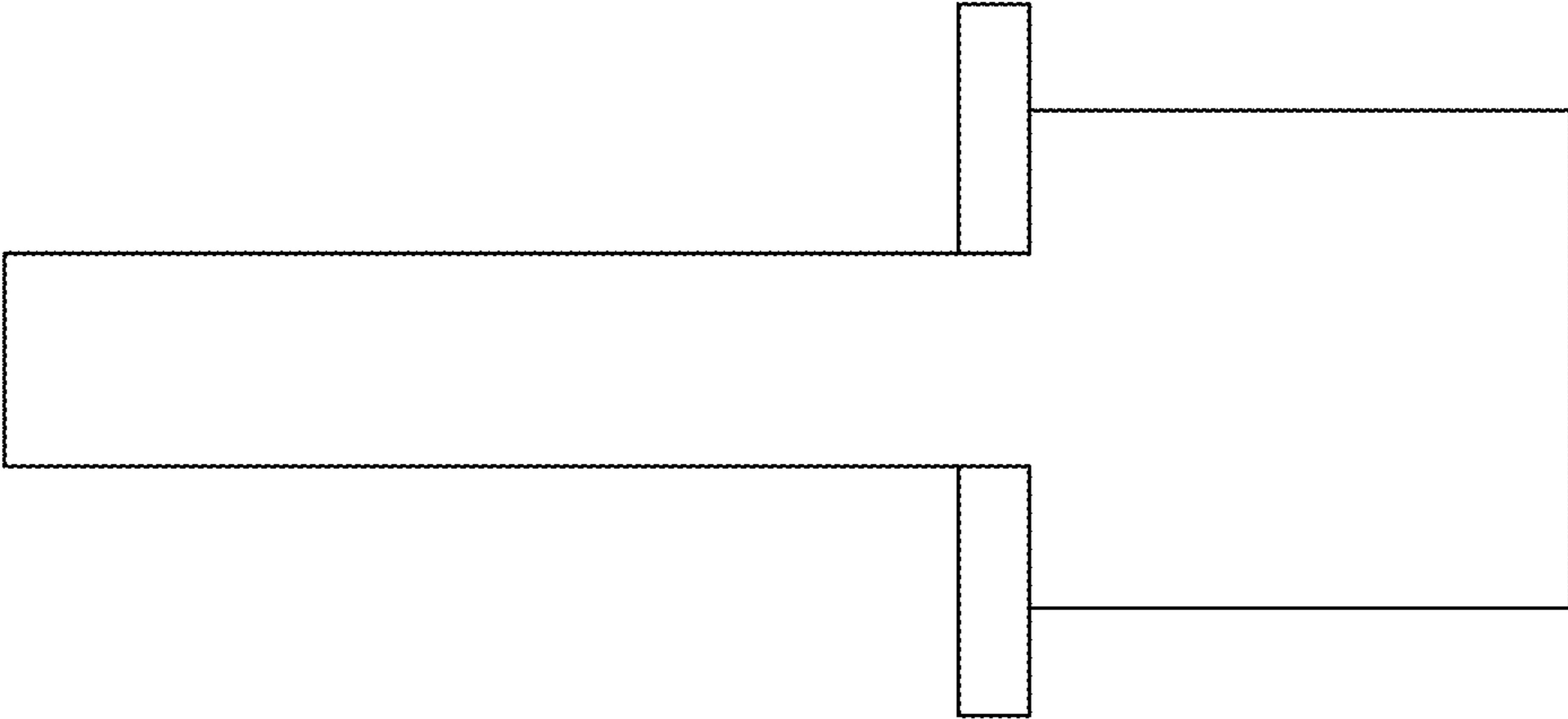


FIG. 19

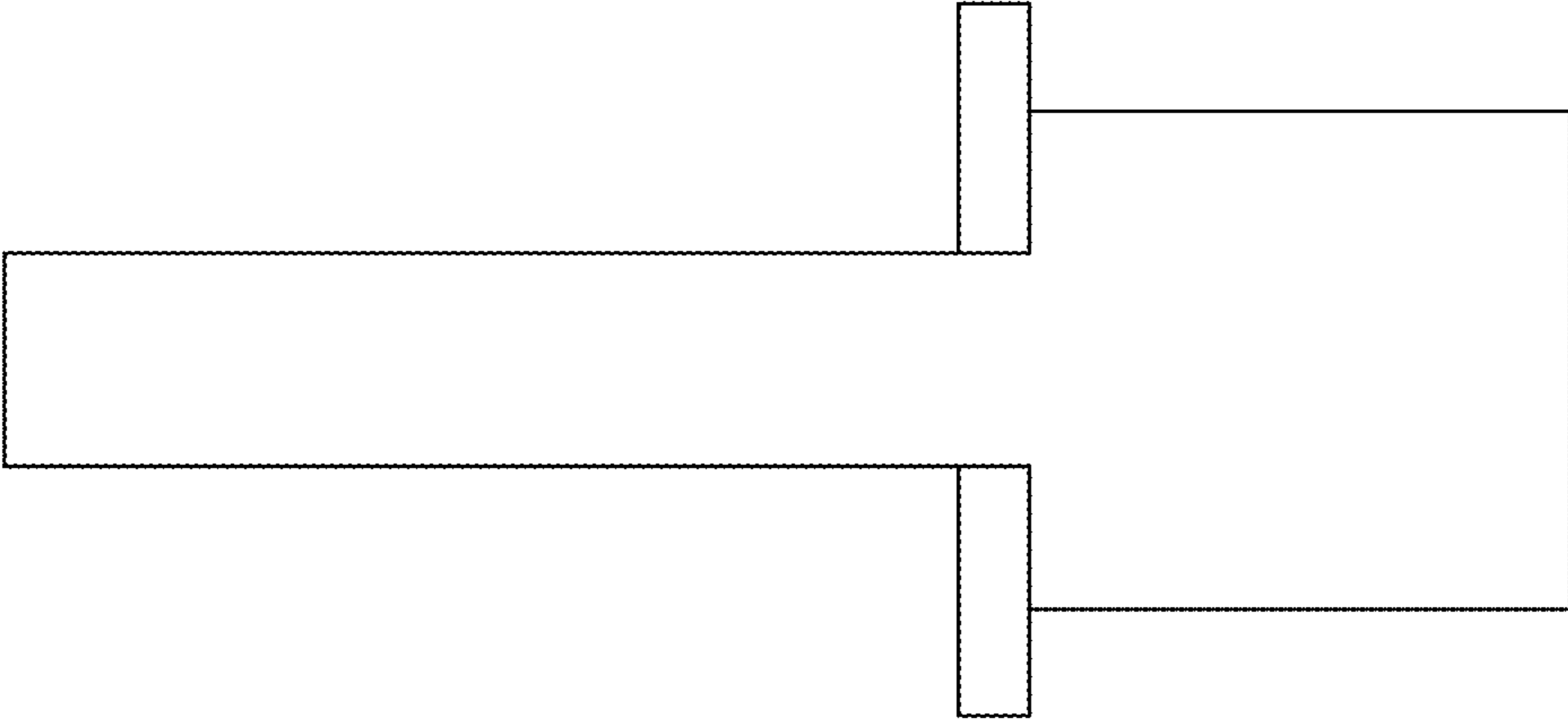


FIG. 18

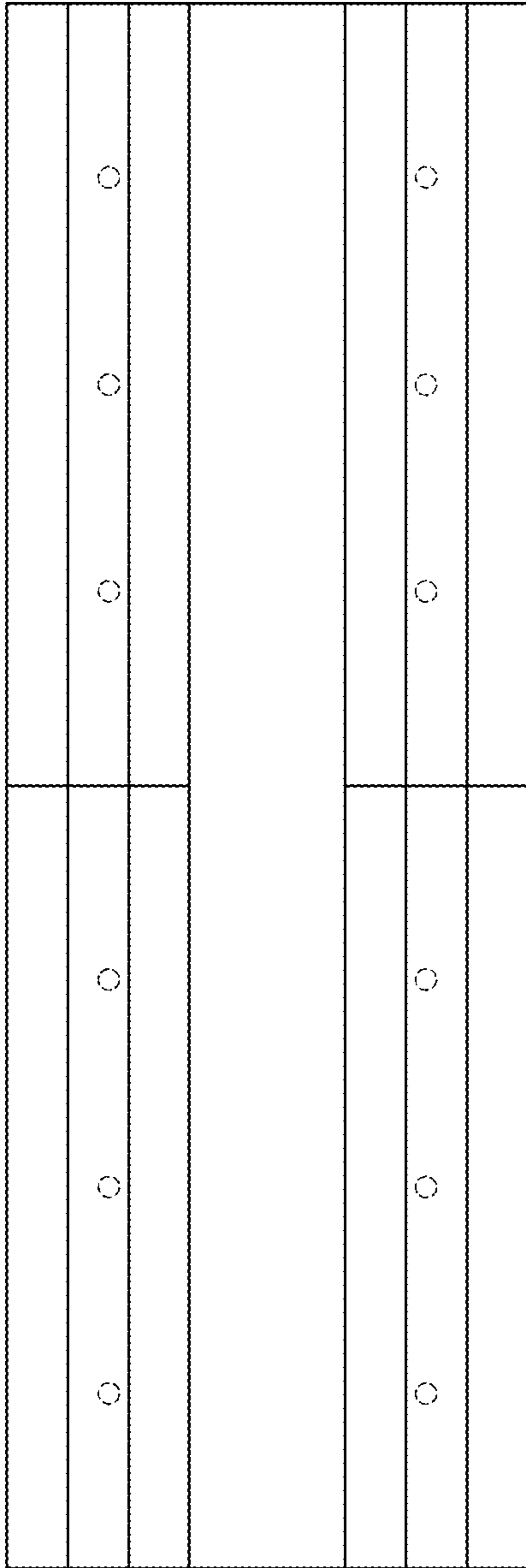


FIG. 20

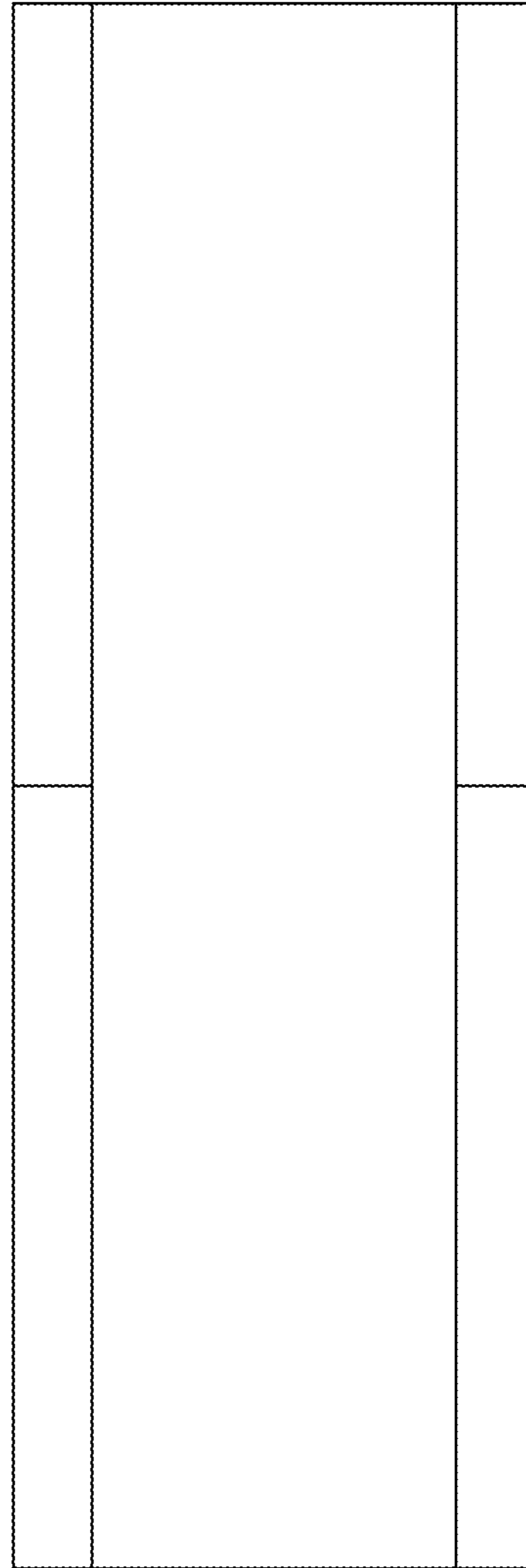


FIG. 21

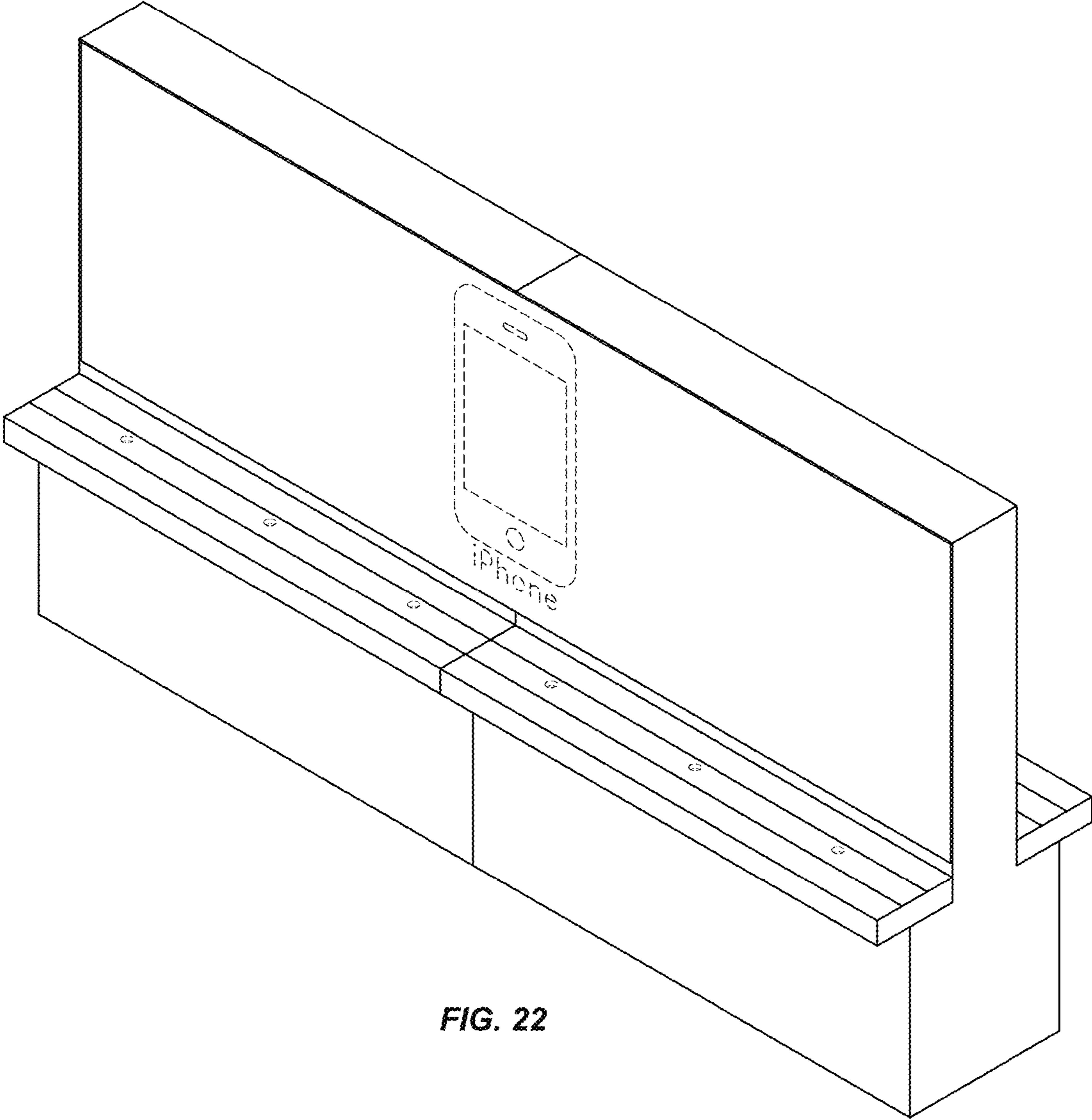


FIG. 22

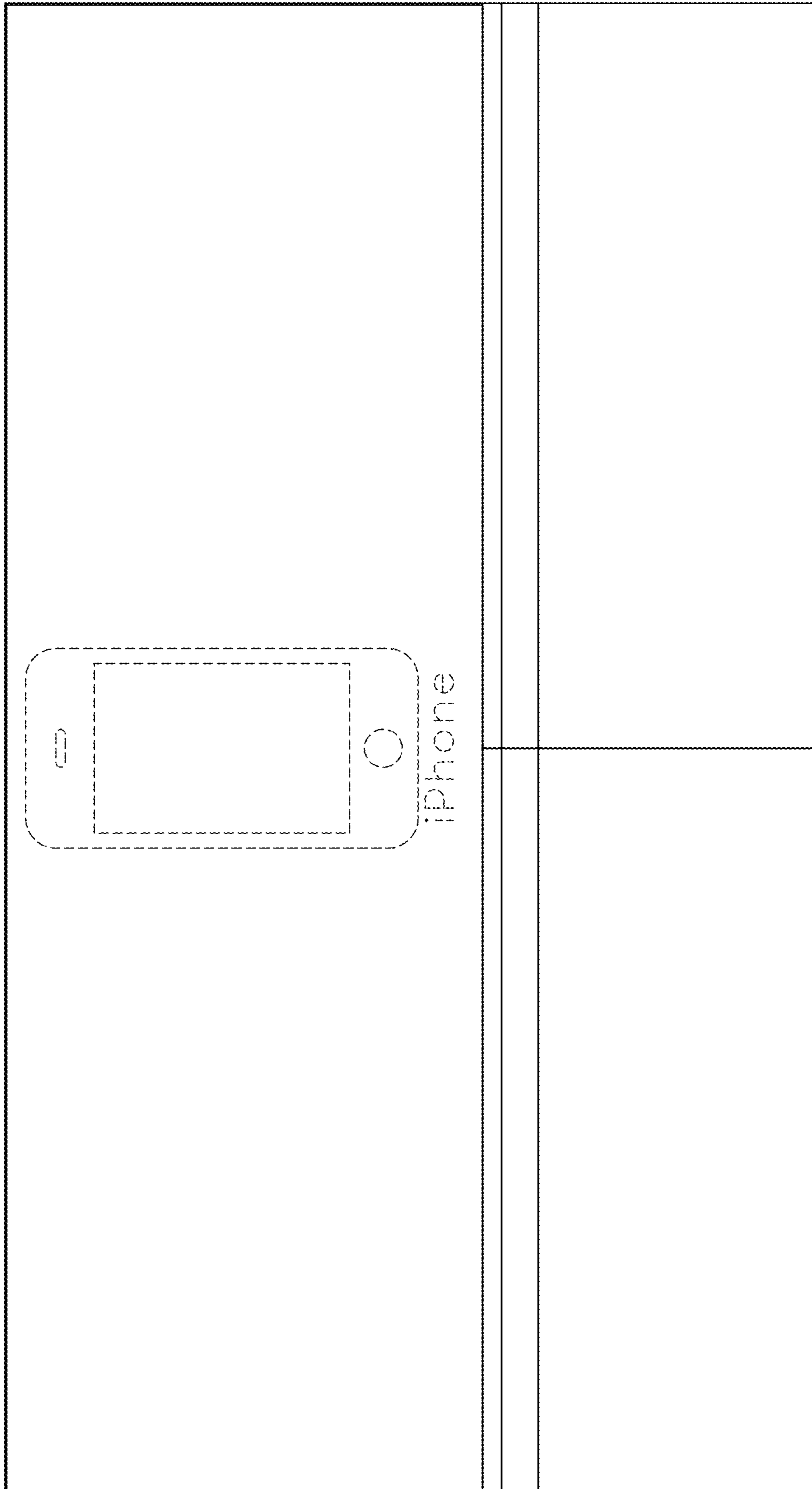


FIG. 23

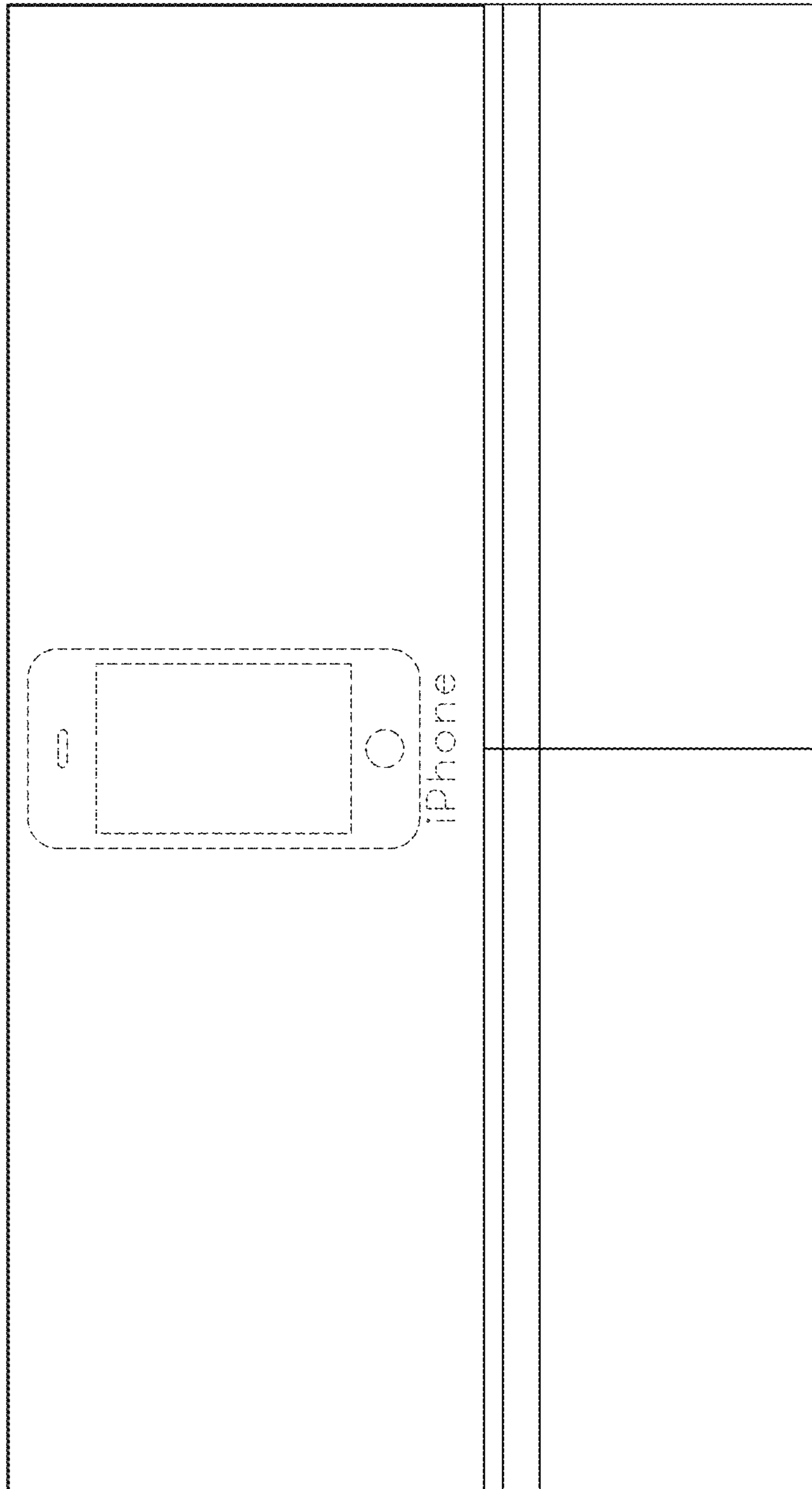


FIG. 24

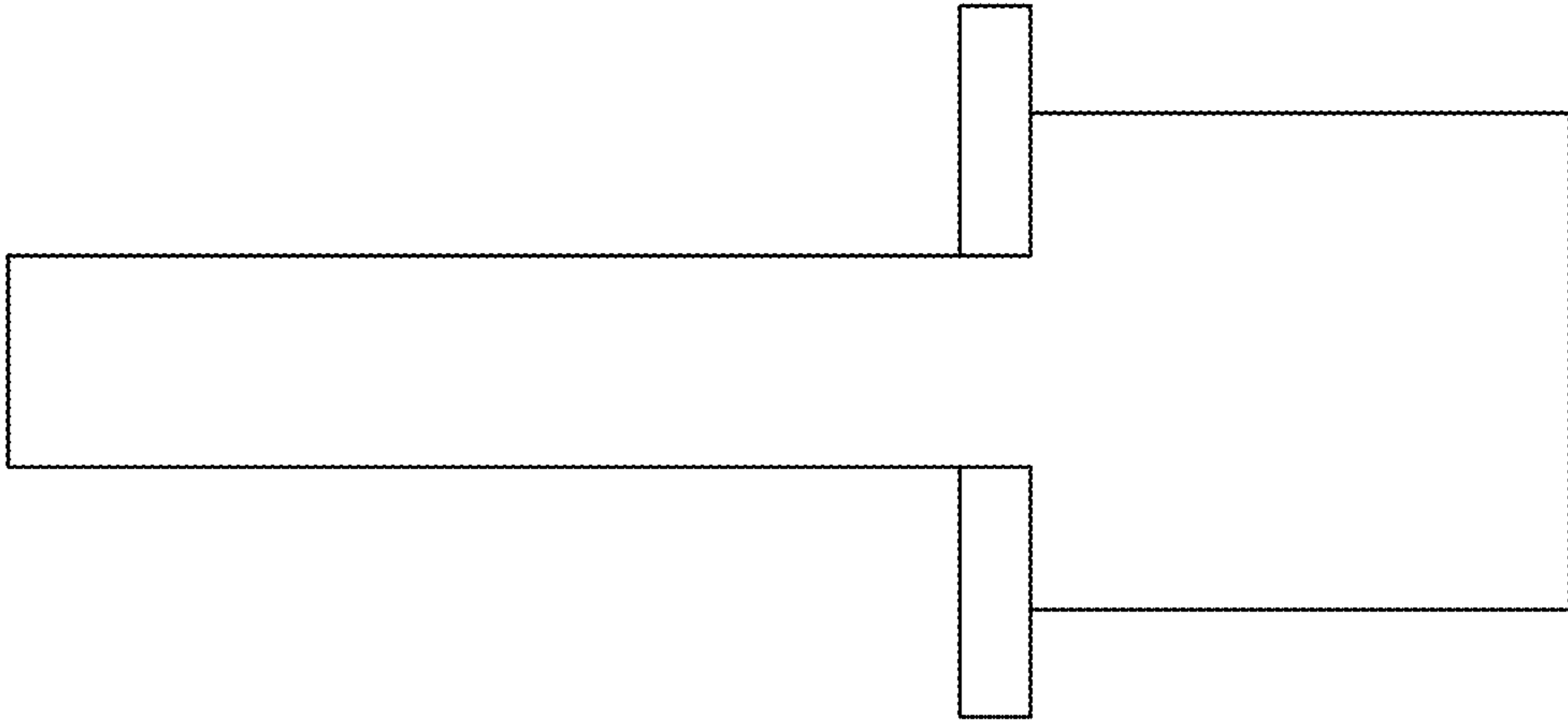


FIG. 26

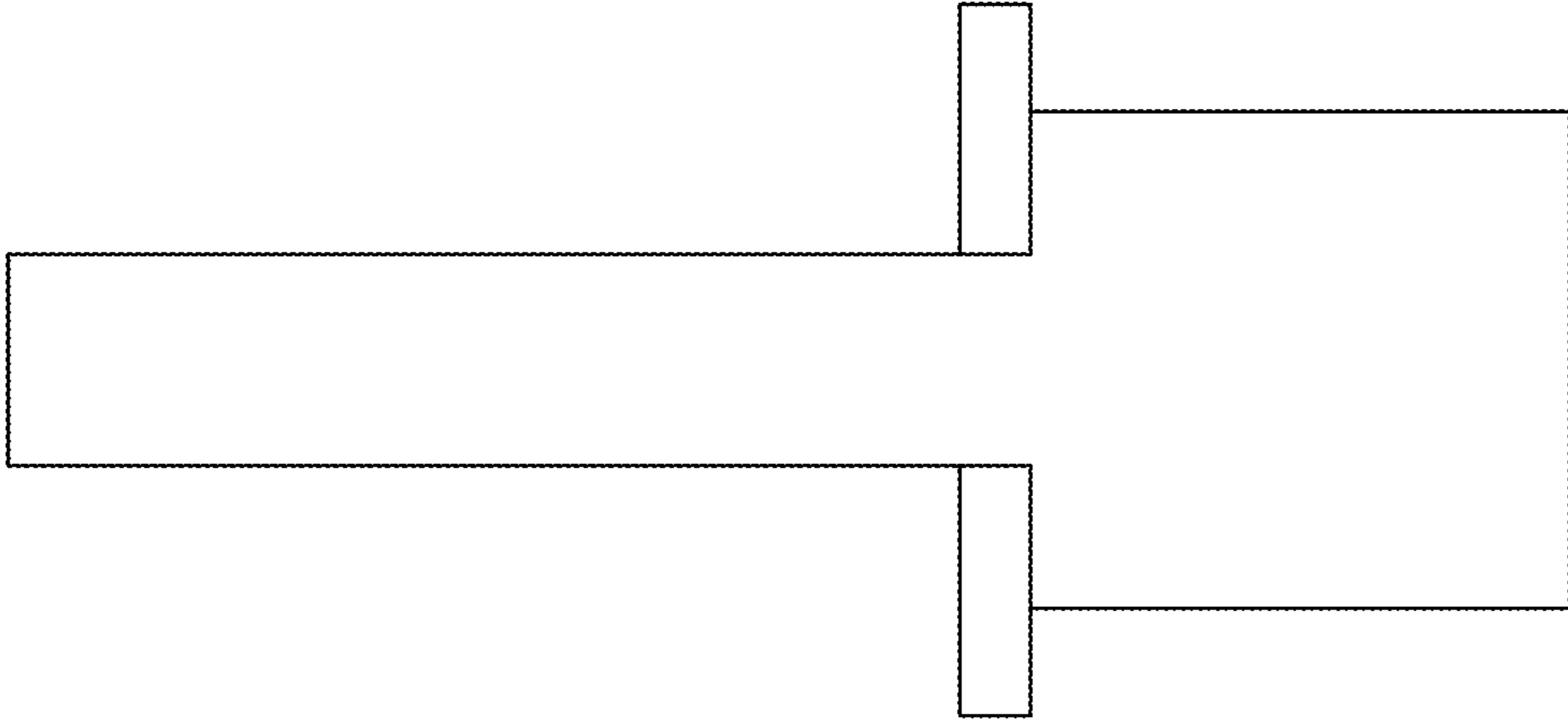


FIG. 25

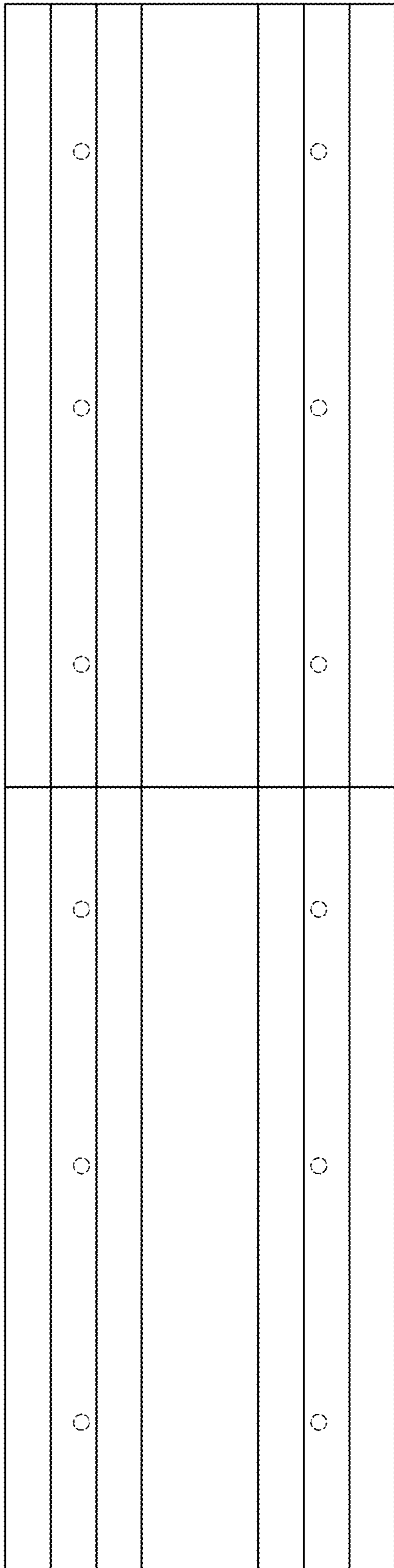


FIG. 27

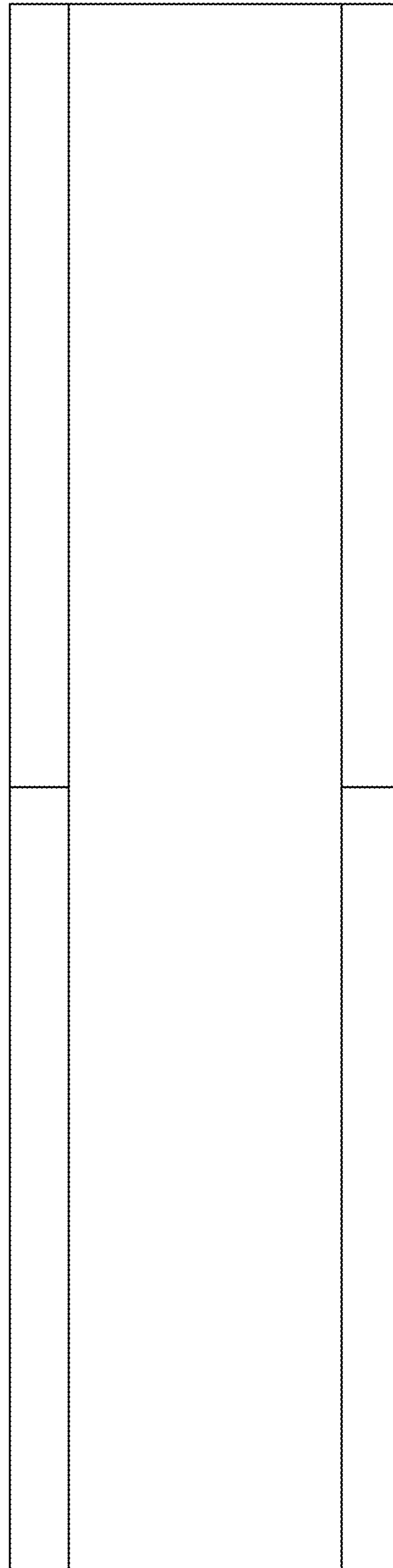


FIG. 28