



US00D769648S

(12) **United States Design Patent** (10) **Patent No.:** **US D769,648 S**
Atkinson et al. (45) **Date of Patent:** **** Oct. 25, 2016**

(54) **PILLOW**

(71) Applicant: **DG International Holdings Limited**,
London (GB)

(72) Inventors: **Benjamin Atkinson**, Chipperfield (GB);
Jean-Philippe Henri Denat, London
(GB)

(73) Assignee: **DG International Holdings Limited**,
London (GB)

(**) Term: **15 Years**

(21) Appl. No.: **29/529,067**

(22) Filed: **Jun. 3, 2015**

(30) **Foreign Application Priority Data**

Dec. 4, 2014 (EM) 002591073-0002

(51) **LOC (10) Cl.** **06-09**

(52) **U.S. Cl.**
USPC **D6/601**

(58) **Field of Classification Search**
USPC D6/595-601, 604, 611; D21/803, 804;
D24/183

CPC A47C 7/12; A47C 7/021; A47C 7/383;
A47C 7/425; A47C 7/428; A47C 7/546;
A47C 16/00; A47C 20/00; A47C 20/02;
A47C 20/021; A47C 20/026; A47C 20/027;
A47C 31/11; A47C 27/001; A47C 27/081;
A47C 1/146; A47G 9/00; A47G 9/10;
A47G 9/07; A47G 9/1027; A47G 9/1045;
A47G 9/1054; A47G 9/1063; A47G 9/1072;
A47G 9/1081; A47G 9/109; A47G
2009/1018; A47G 2009/1036

See application file for complete search history.

(56) **References Cited**

U.S. PATENT DOCUMENTS

D124,296 S * 12/1940 Thompson D6/601
D285,512 S * 9/1986 Bool D6/596
D360,554 S * 7/1995 Righini D21/809
6,230,348 B1 * 5/2001 Patrikakis A47C 7/383
5/636
6,487,737 B1 * 12/2002 Futagami A47C 7/383
5/644
D637,439 S * 5/2011 Mettler D6/601
D685,212 S * 7/2013 Rivera D6/601
2007/0033737 A1 * 2/2007 Melton A47C 7/383
5/640

(Continued)

OTHER PUBLICATIONS

Inflatable Neck Pillow with Memory Foam, [online], [site visited
Feb. 4, 2016]. Available from Internet, <URL: http://www.1ststoptravelstore.com/LNC%20Images%20Folder/Personal_Comfort/Inflatable_neck_pillow_memory_foam.htm>.*

Primary Examiner — Rosemary K Tarcza

Assistant Examiner — Sanjeev Paul

(74) *Attorney, Agent, or Firm* — Blank Rome LLP

(57) **CLAIM**

The ornamental design for pillow, as shown and described.

DESCRIPTION

FIG. 1 is a top view of the bean pillow of the present invention.

FIG. 2 is a back view of the bean pillow of FIG. 1.

FIG. 3 is a front view of the bean pillow of FIG. 1.

FIG. 4 is a perspective of the bean pillow of FIG. 1.

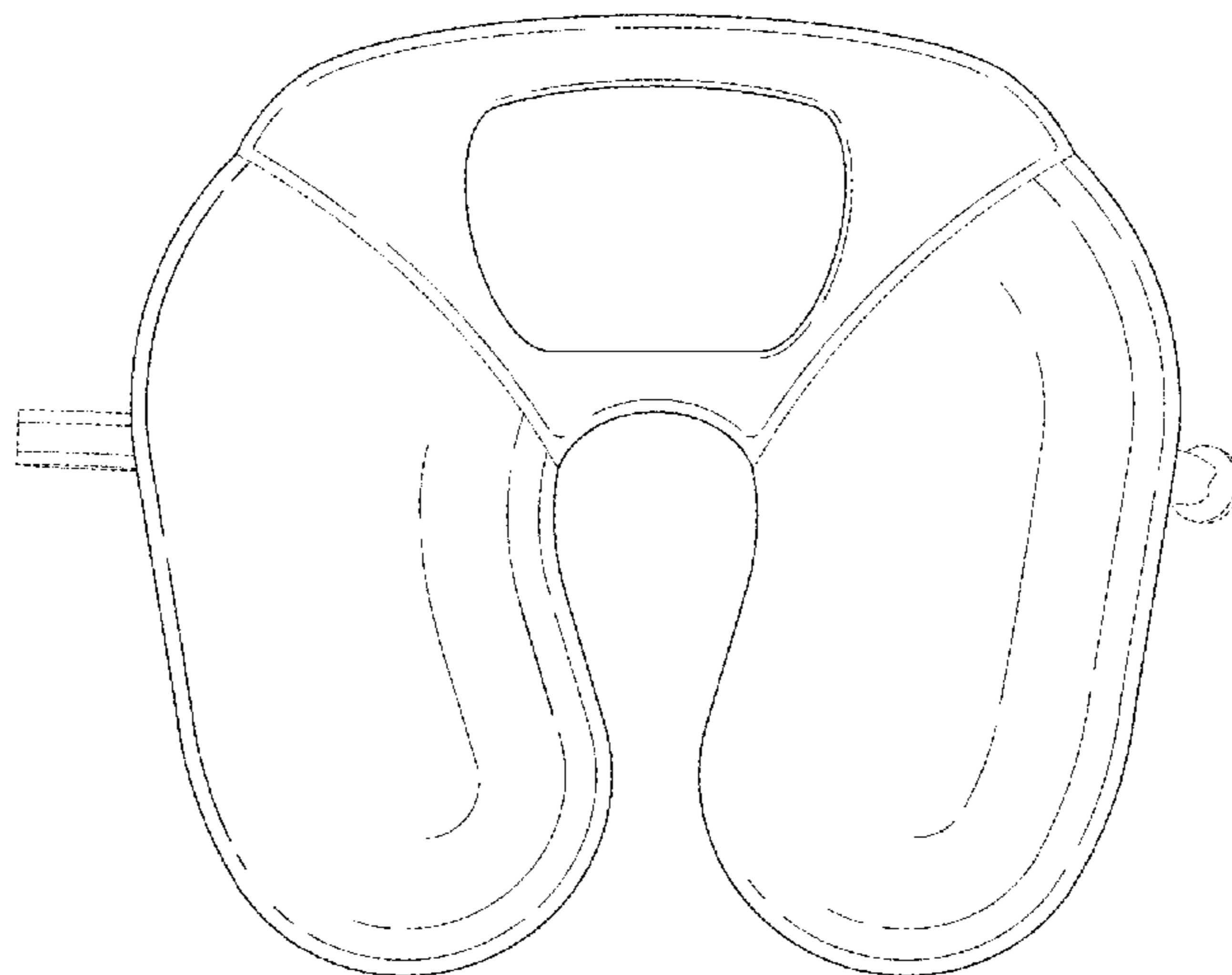
FIG. 5 is a perspective of the bean pillow of FIG. 1.

FIG. 6 is a perspective of the bean pillow of FIG. 1; and,

FIG. 7 is a side view of the bean pillow of FIG. 1.

The design resides in parts of the article shown in solid lines only. Parts shown in broken lines form no part of the design.

1 Claim, 7 Drawing Sheets



US D769,648 S

Page 2

(56)

References Cited

U.S. PATENT DOCUMENTS

2007/0271703	A1*	11/2007	Matthews Brown ..	A47D 13/08 5/636	2009/0094752	A1*	4/2009	Gagliano	A47C 16/00 5/655
2008/0010750	A1*	1/2008	Tidwell	A47D 13/08 5/655	2010/0205744	A1*	8/2010	Edwards	A47C 7/383 5/644
					2014/0000036	A1*	1/2014	Cohen	A47C 7/383 5/639

* cited by examiner

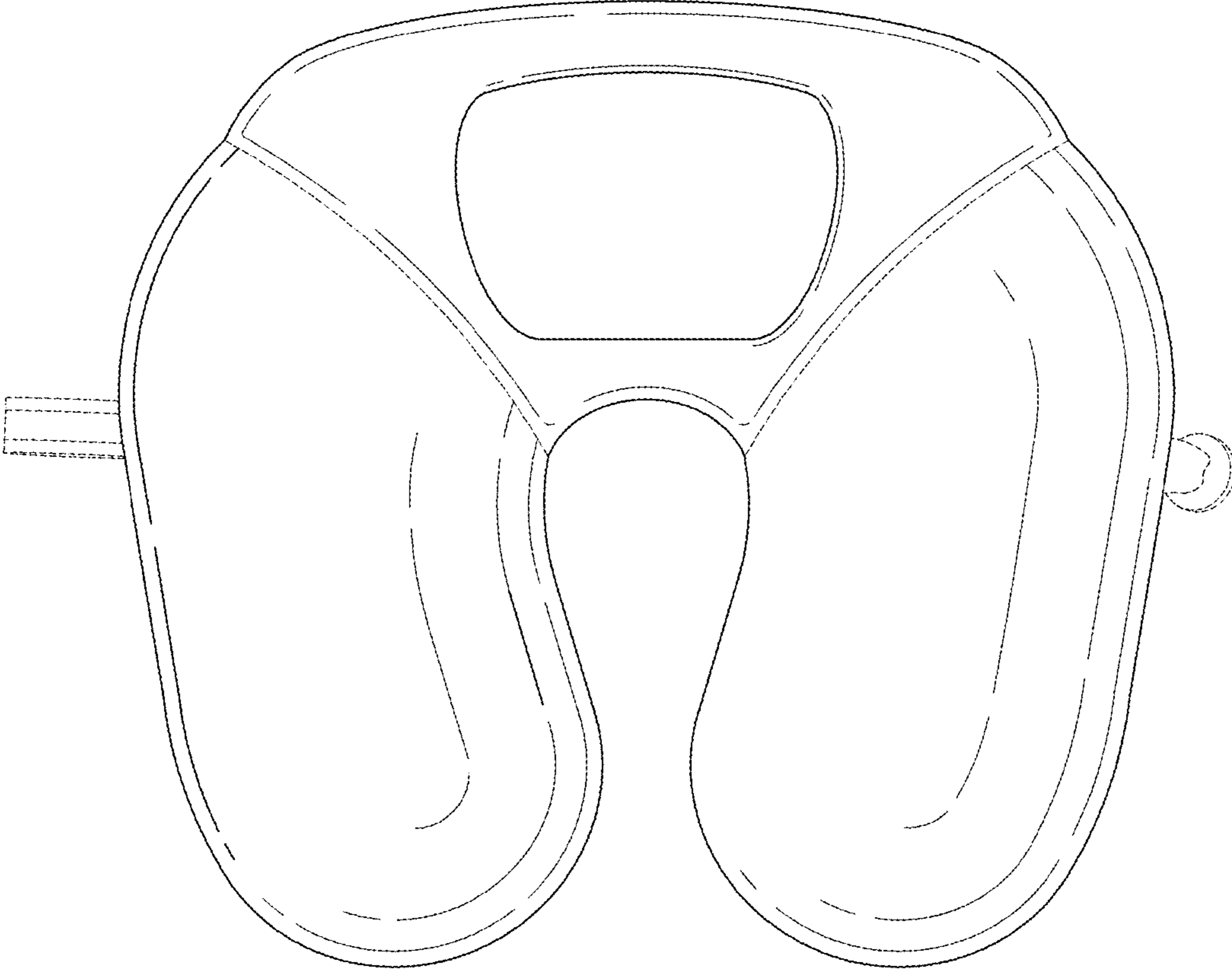


FIG. 1

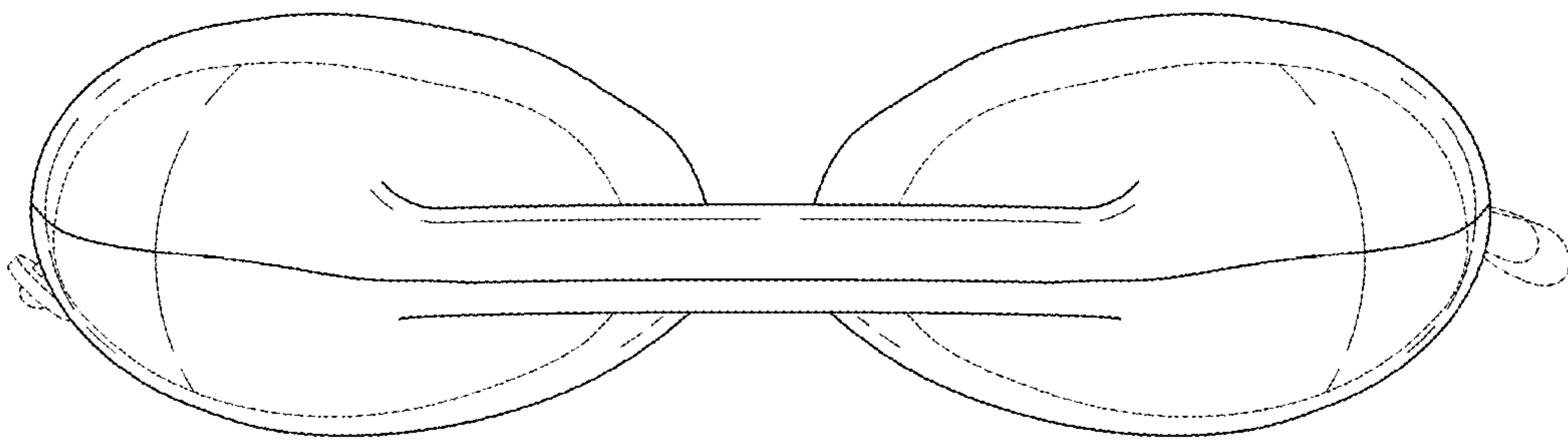


FIG. 2

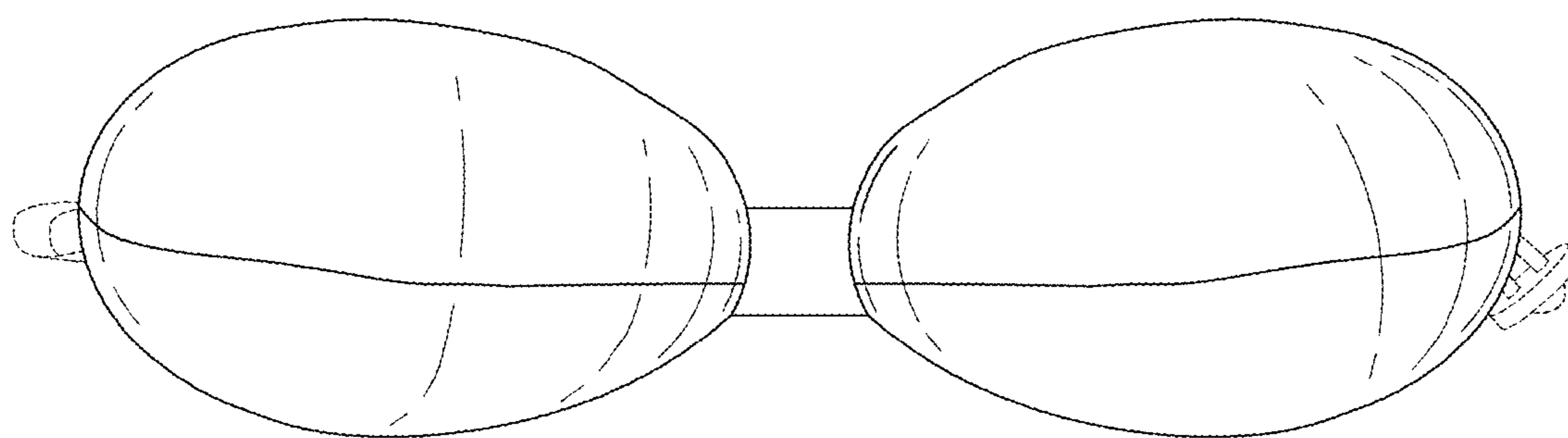


FIG. 3

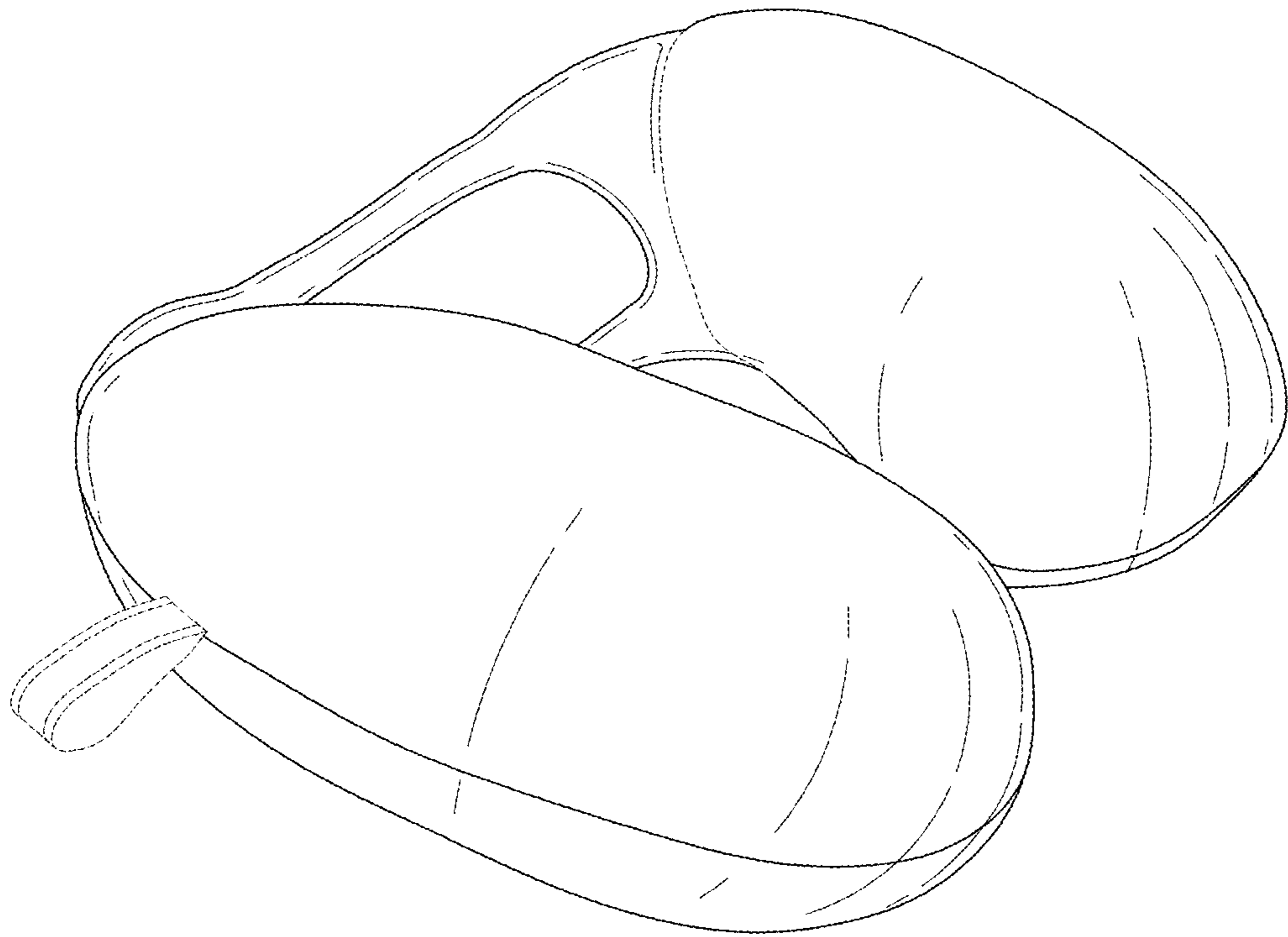


FIG. 4

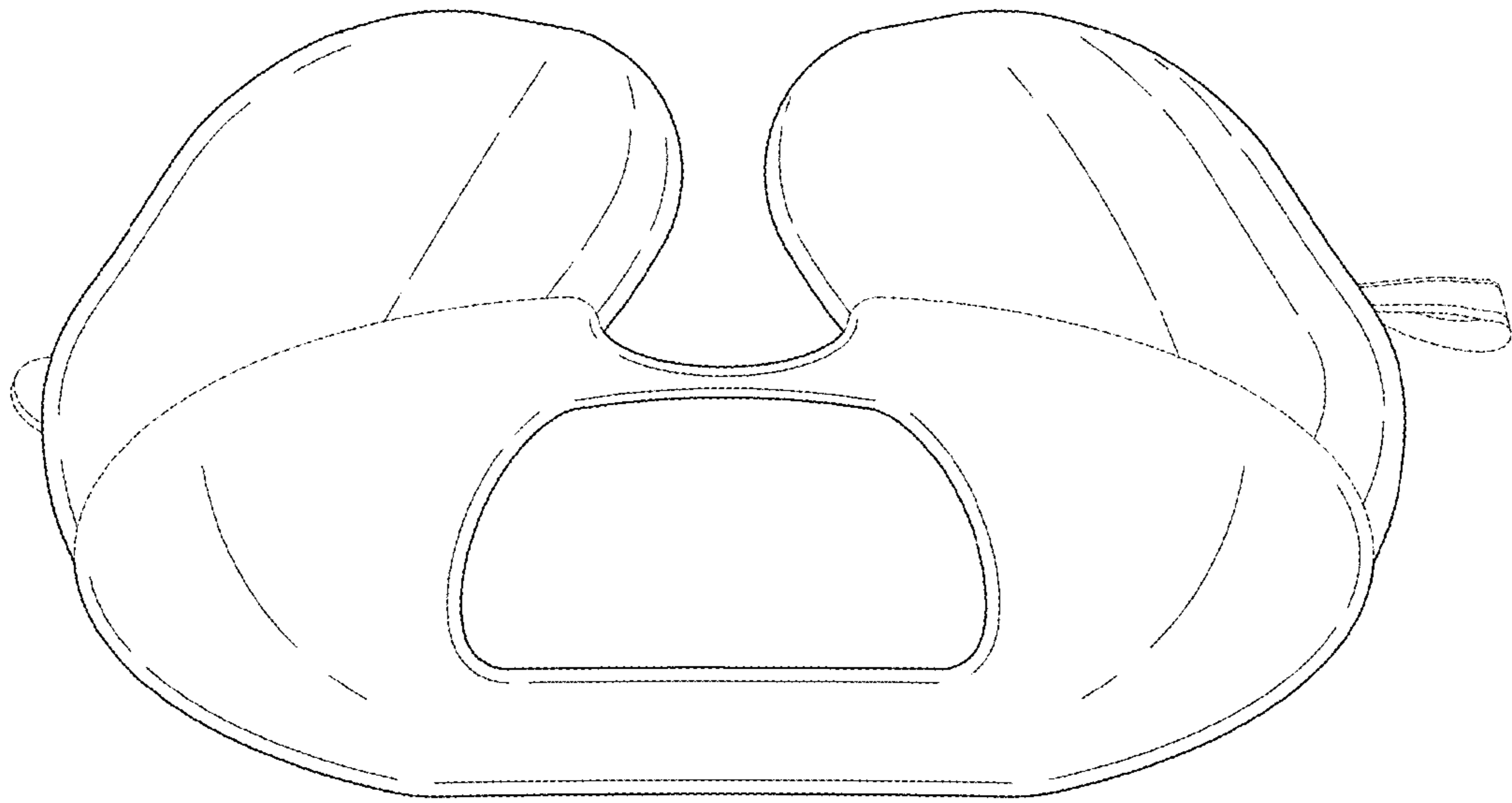


FIG. 5

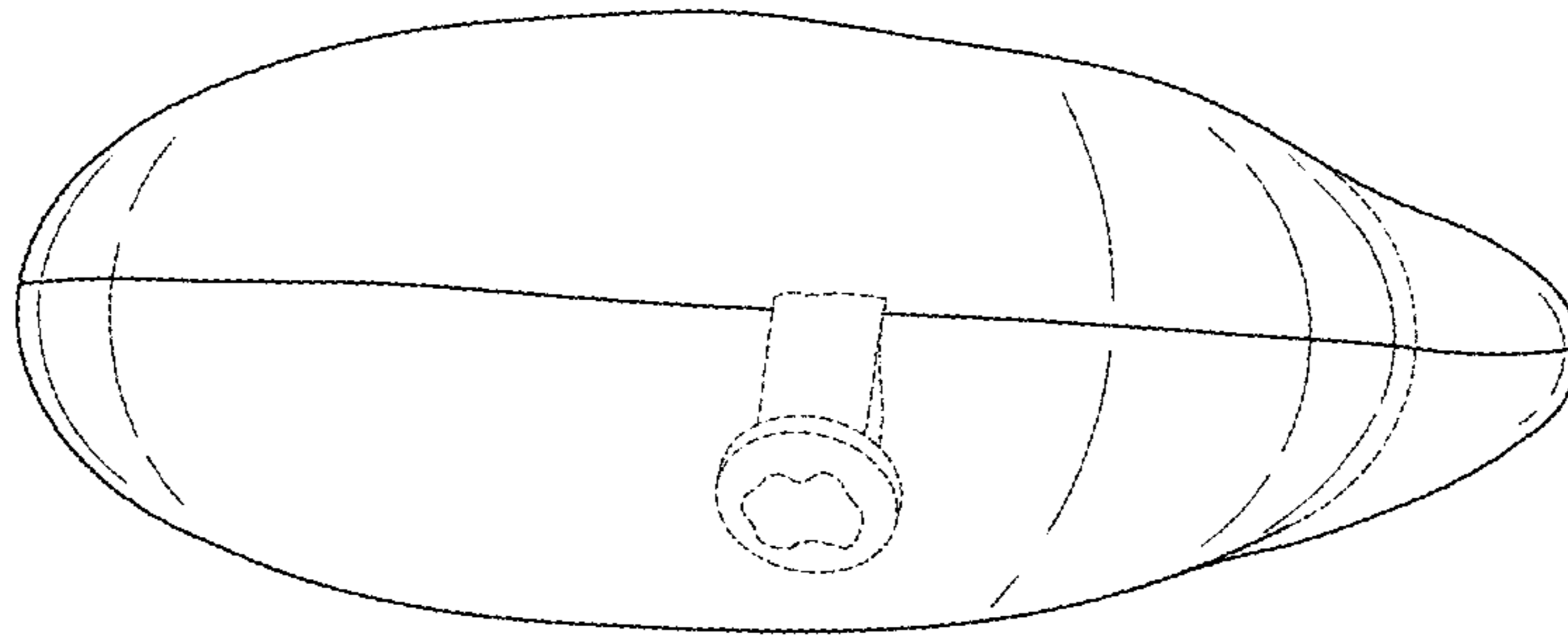


FIG. 6

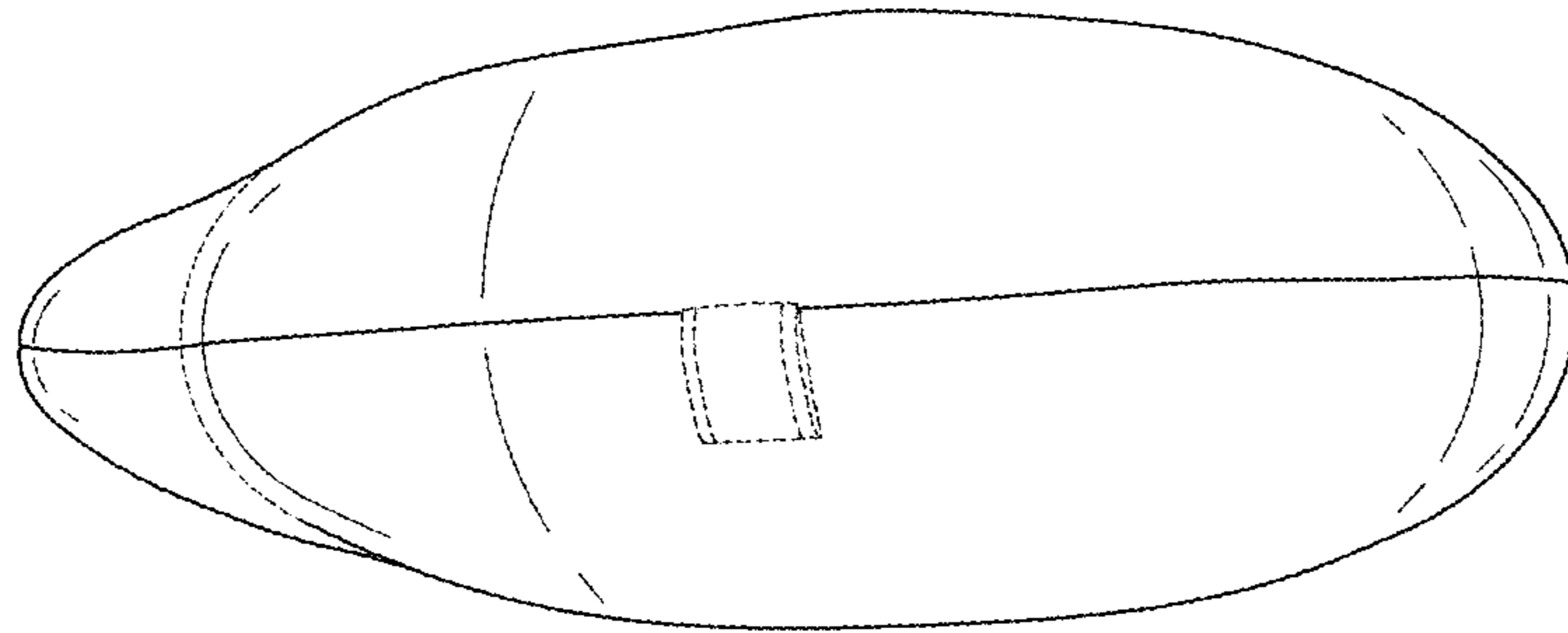


FIG. 7