

US00D769646S

(12) **United States Design Patent**
Gorlicki

(10) **Patent No.:** **US D769,646 S**

(45) **Date of Patent:** **** Oct. 25, 2016**

(54) **HOLDER FOR INFANT PACIFIERS**

(71) Applicant: **Joseph Gorlicki**, Boca Raton, FL (US)

(72) Inventor: **Joseph Gorlicki**, Boca Raton, FL (US)

(**) Term: **14 Years**

(21) Appl. No.: **29/520,494**

(22) Filed: **Mar. 16, 2015**

(51) **LOC (10) Cl.** **24-04**

(52) **U.S. Cl.**
USPC **D6/571**

(58) **Field of Classification Search**
USPC D6/571; D24/193, 194, 195, 196, 197,
D24/198, 199, 214; 62/371, 440, 441,
62/457.5; 215/11.1, 11.6; 606/234, 235,
606/236
CPC F25D 2303/0831; F25D 2331/804;
A61J 17/008
See application file for complete search history.

(56) **References Cited**

U.S. PATENT DOCUMENTS

5,402,810 A	4/1995	Donley	
D368,821 S	4/1996	Michaud	
5,606,871 A	3/1997	Hansen et al.	
5,607,452 A	3/1997	Michaud	
D402,760 S *	12/1998	Kline	D24/194
D411,013 S	6/1999	Boyles	
D473,054 S	4/2003	Roehrig	
7,021,825 B1	4/2006	Schultz	

D581,540 S * 11/2008 Nielsen D24/194
8,399,853 B2 * 3/2013 Roiniotis A61L 2/10
250/455.11
D745,691 S * 12/2015 Diamond D24/194

* cited by examiner

Primary Examiner — Wan Laymon

Assistant Examiner — Mark Booker

(74) *Attorney, Agent, or Firm* — Mark D. Bowen; Malin
Haley DiMaggio & Bowen, P.A.

(57) **CLAIM**

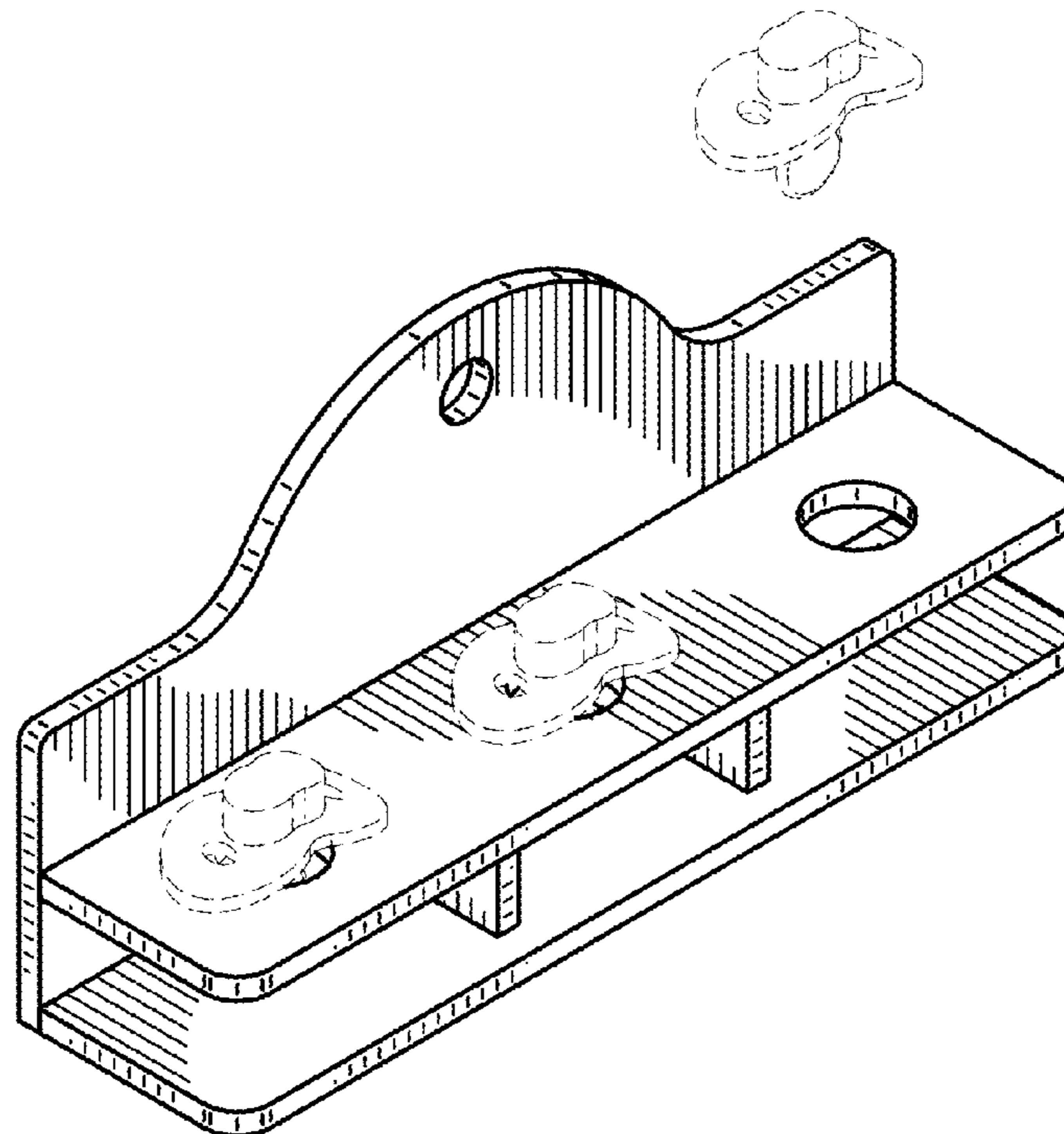
The ornamental design for a holder for infant pacifiers, as shown and described.

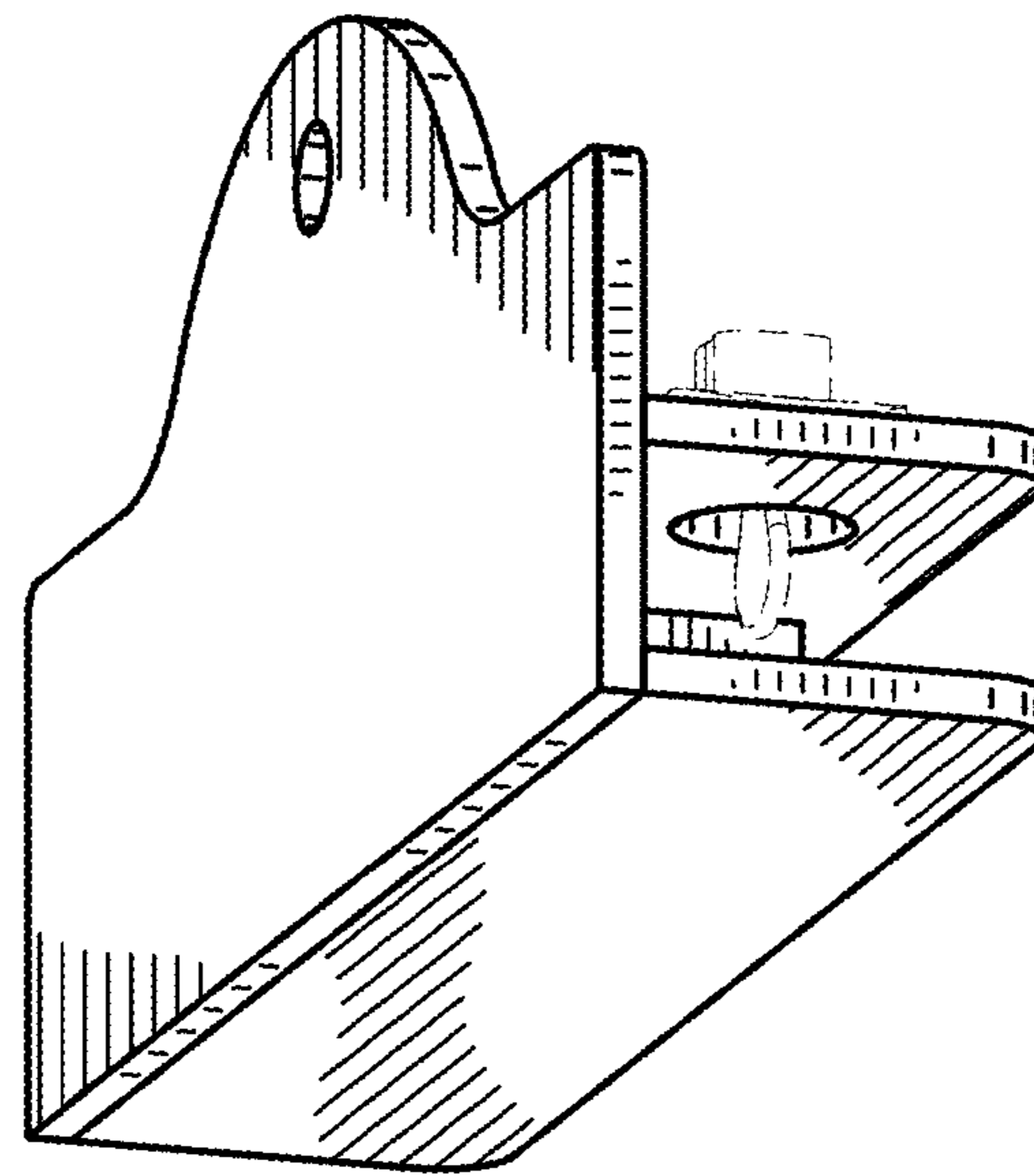
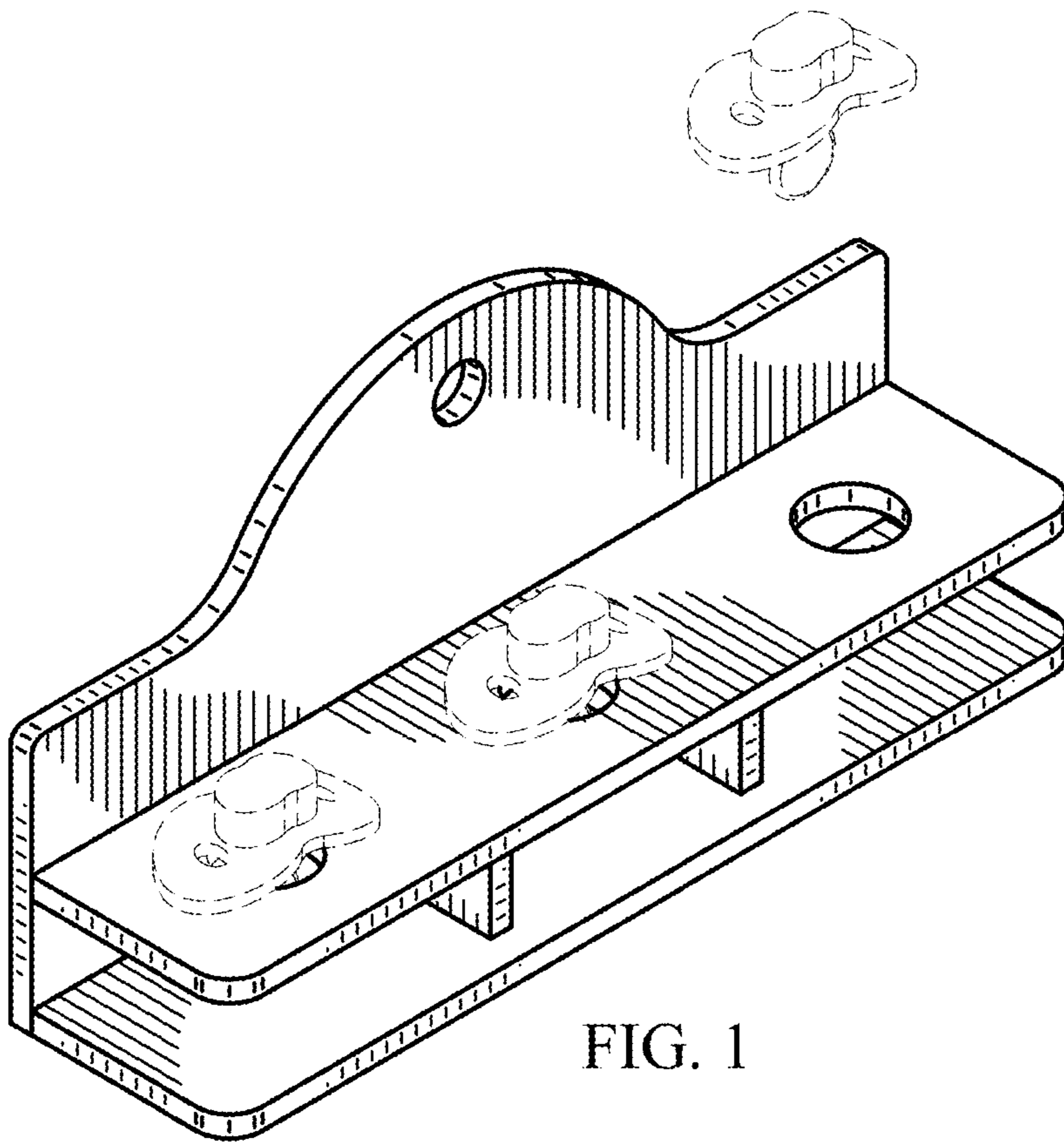
DESCRIPTION

FIG. 1 is a top front perspective view of a holder for infant pacifiers in accordance with the present invention; FIG. 2 is a bottom rear perspective view thereof; FIG. 3 is a front thereof; FIG. 4 is a rear view thereof; FIG. 5 is a left side view thereof; FIG. 6 is a right side view thereof; FIG. 7 is a top view thereof; and, FIG. 8 is a bottom view thereof.

The broken line showing in the figures is included for the purpose of illustrating portions of the holder for infant pacifiers and forms no part of the claimed design.

1 Claim, 3 Drawing Sheets





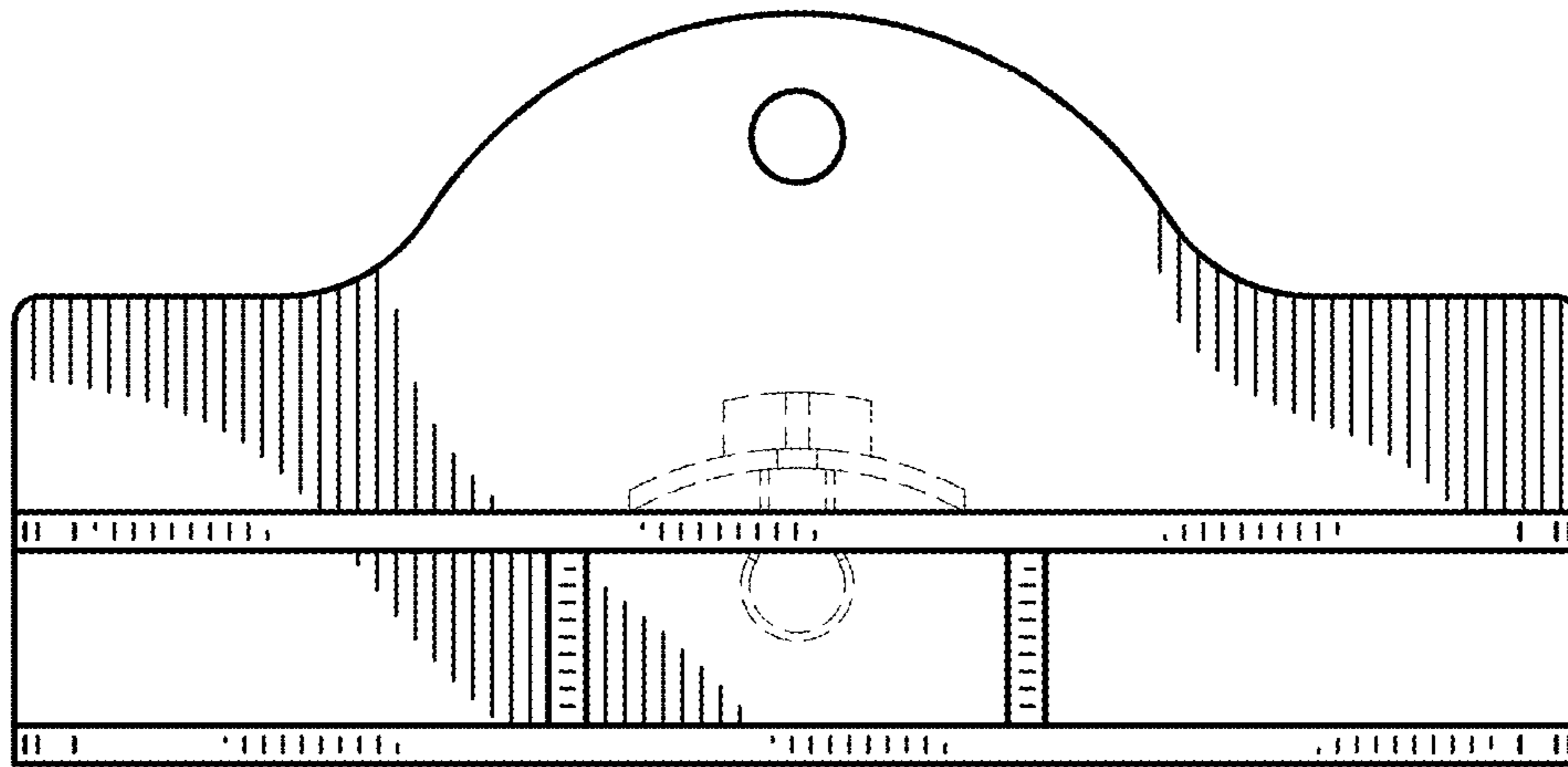


FIG. 3

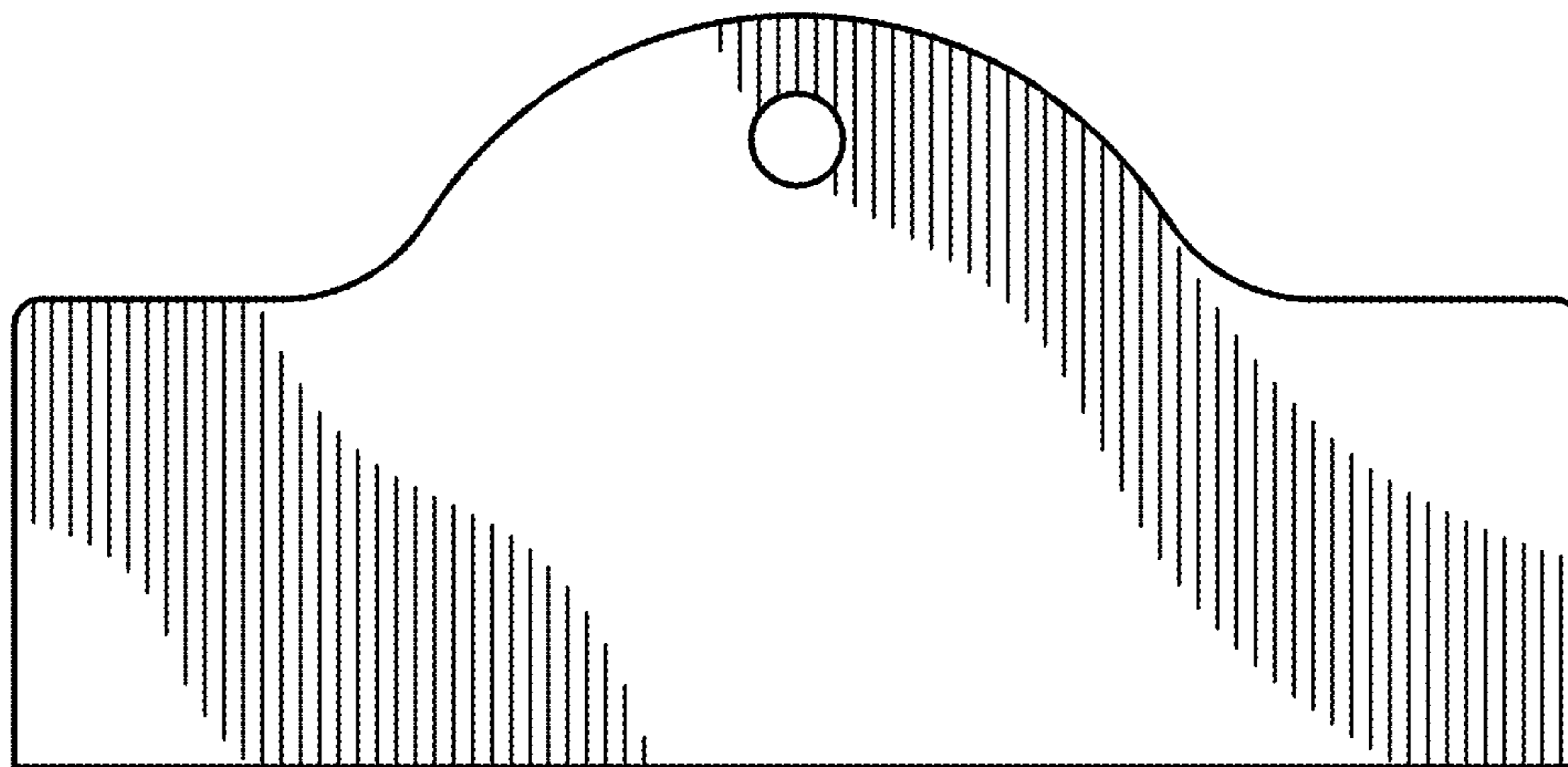


FIG. 4

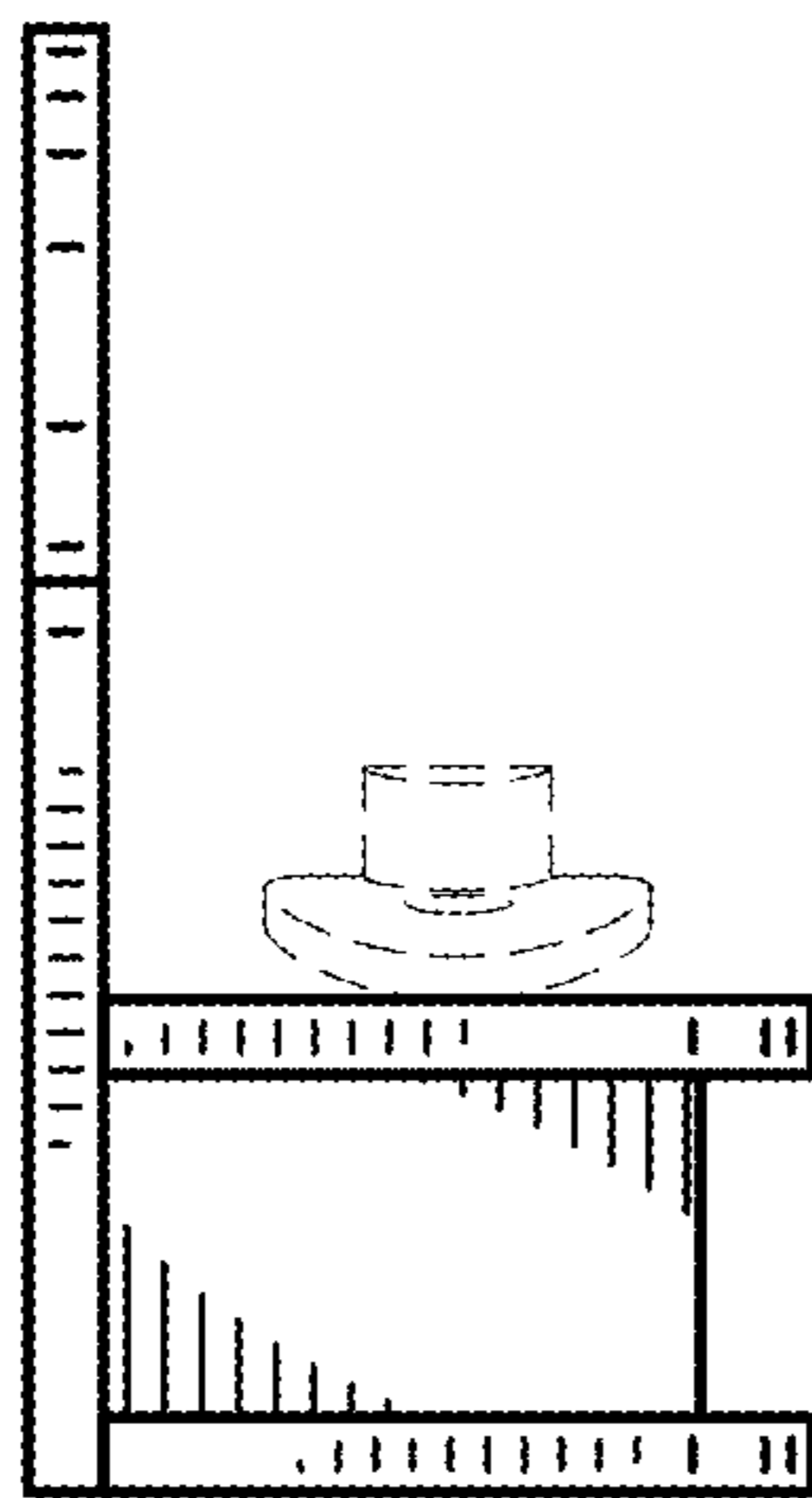


FIG. 5

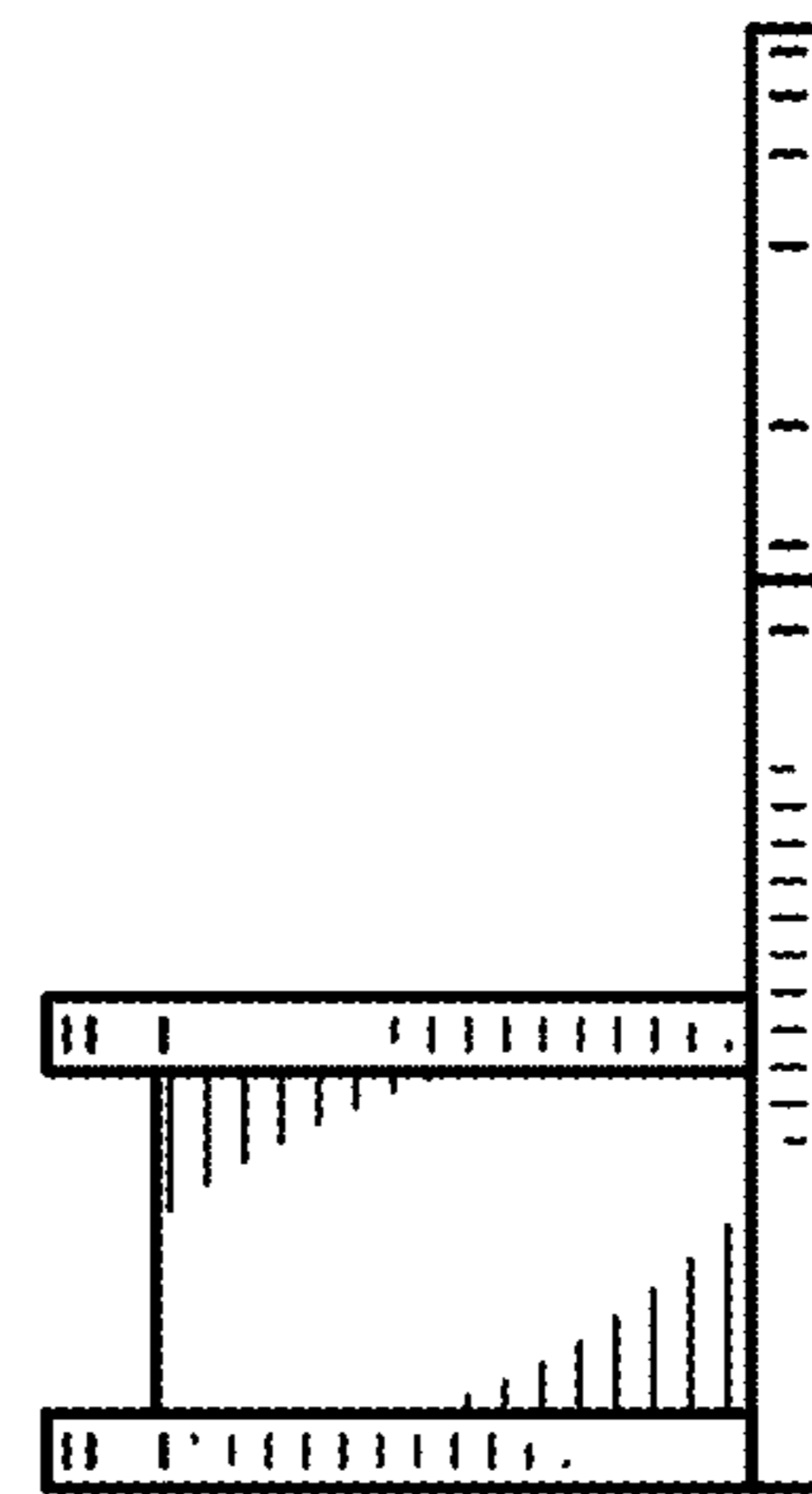


FIG. 6

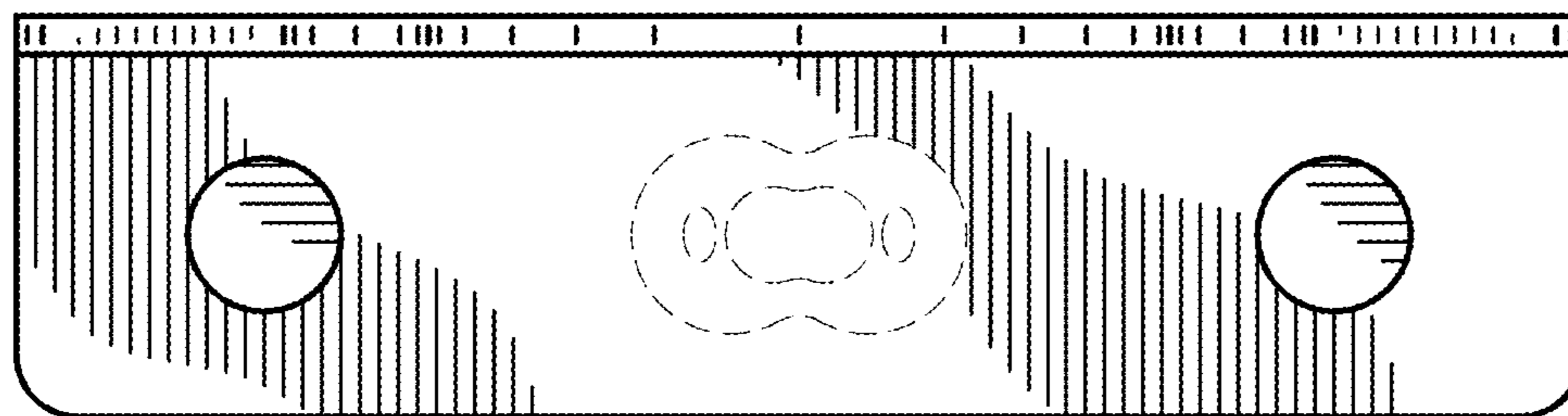


FIG. 7

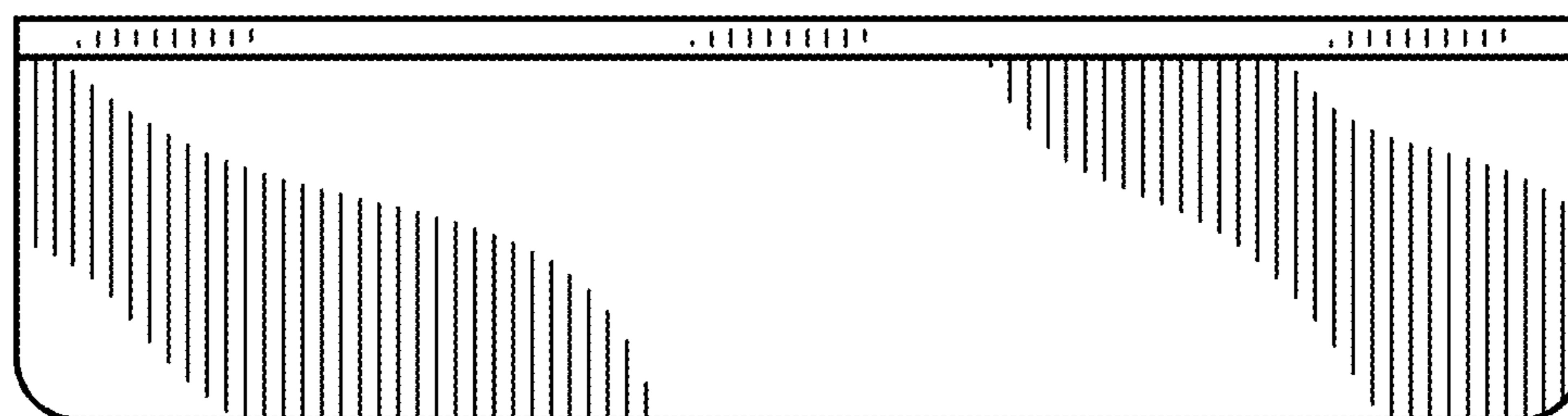


FIG. 8