



US00D769645S

(12) **United States Design Patent**
Cheng

(10) **Patent No.:** **US D769,645 S**

(45) **Date of Patent:** **** Oct. 25, 2016**

- (54) **RECTANGULAR WALL RACK**
- (71) Applicant: **Meng-Feng Cheng**, Taichung (TW)
- (72) Inventor: **Meng-Feng Cheng**, Taichung (TW)
- (73) Assignee: **FORWARD AQUA CO., LTD.**,
Dongshi Dist., Taichung (TW)

D327,596 S *	7/1992	Emery	D6/540
D422,553 S *	4/2000	VonDuyke	D12/412
D449,752 S *	10/2001	Snell	D6/537
D478,443 S *	8/2003	Clucas	D6/537
D543,403 S *	5/2007	Tau	D6/540
D554,407 S *	11/2007	Thompson	D6/537
D717,068 S *	11/2014	Callif	D6/537
D761,589 S *	7/2016	Cheng	D6/556
2008/0047915 A1 *	2/2008	Parks	F24C 15/16 211/153
2010/0000952 A1 *	1/2010	McKinney	A47B 96/02 211/135
2010/0283364 A1 *	11/2010	Koehler	A47B 96/16 312/327

(**) Term: **14 Years**

(21) Appl. No.: **29/501,259**

(22) Filed: **Sep. 3, 2014**

(51) **LOC (10) Cl.** **06-04**

(52) **U.S. Cl.**
USPC **D6/566; D6/574**

(58) **Field of Classification Search**
USPC D6/566, 553, 536-537, 524, 525, 540,
D6/567, 320, 574; 211/13.1, 74, 71.01,
211/86.01, 75, 88.01, 90.01, 90.03, 106,
211/119, 126.1, 133.5, 181.1, 134, 87.01
CPC .. A47B 43/00; A47B 43/04; A47B 47/0066;
A47B 47/04; A47B 63/00; A47B 69/00;
A47B 71/00; B65D 51/00

See application file for complete search history.

(56) **References Cited**

U.S. PATENT DOCUMENTS

970,485 A *	9/1910	Prey	A47K 5/02 211/85.12
3,295,471 A *	1/1967	Cook	A47F 5/13 108/163

* cited by examiner

Primary Examiner — David Muller
Assistant Examiner — Nathan Johnston

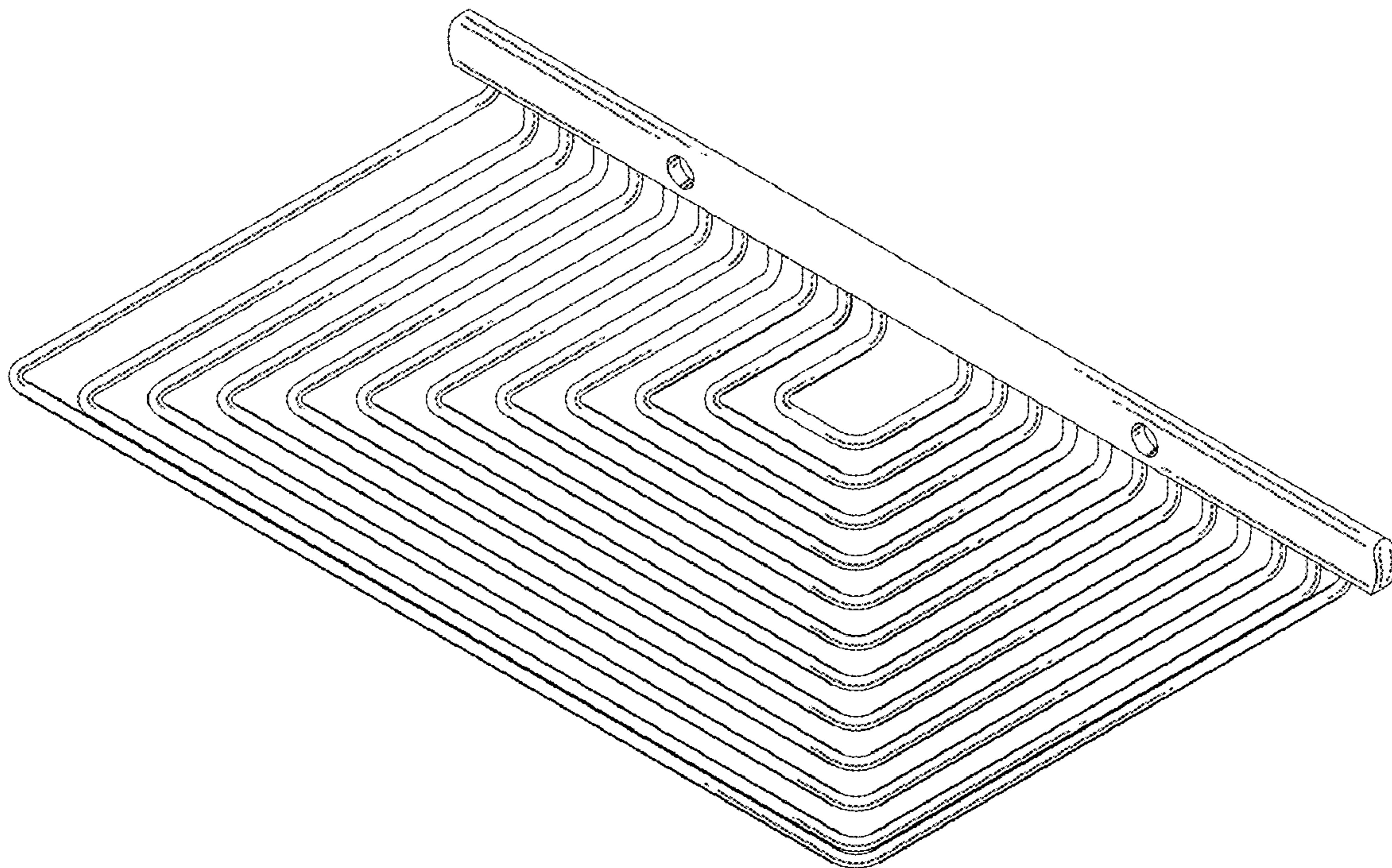
(57) **CLAIM**

The ornamental design for a rectangular wall rack, as shown and described.

DESCRIPTION

FIG. 1 is a perspective view of a rectangular wall rack showing my new design;
FIG. 2 is a front elevation view thereof;
FIG. 3 is a rear elevation view thereof;
FIG. 4 is a left side elevation view thereof;
FIG. 5 is a right side elevation view thereof;
FIG. 6 is a top plan view thereof;
FIG. 7 is a bottom plan view thereof; and,
FIG. 8 is another perspective view thereof.

1 Claim, 6 Drawing Sheets



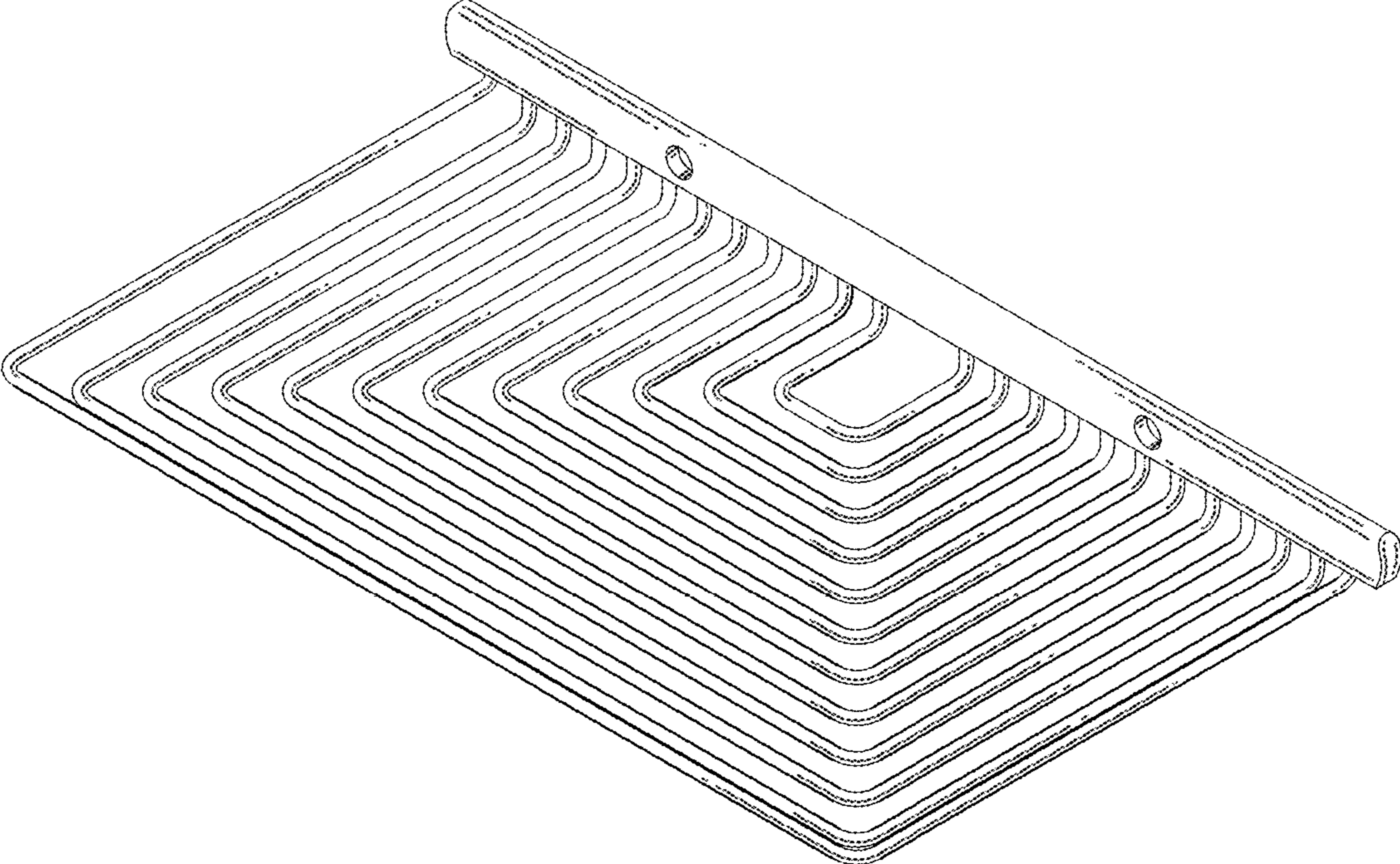


FIG. 1

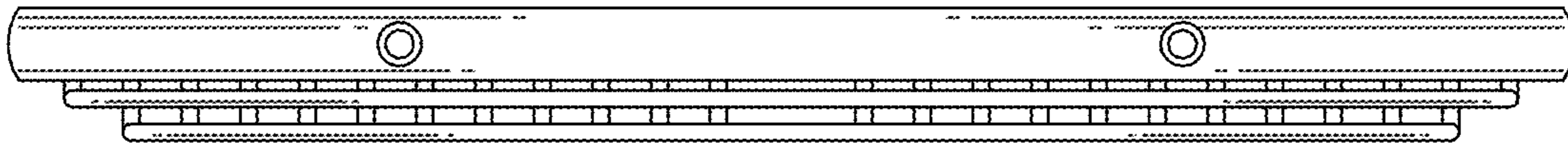


FIG. 2

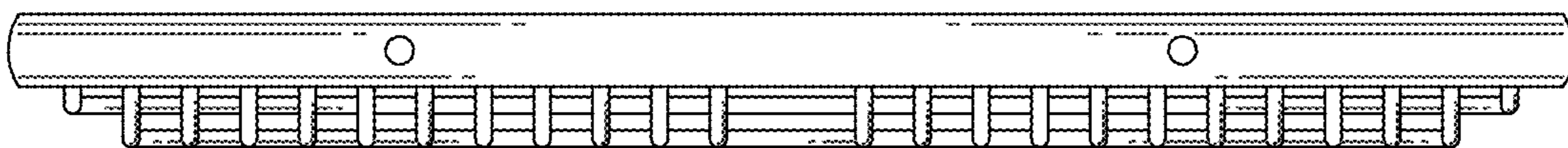


FIG. 3

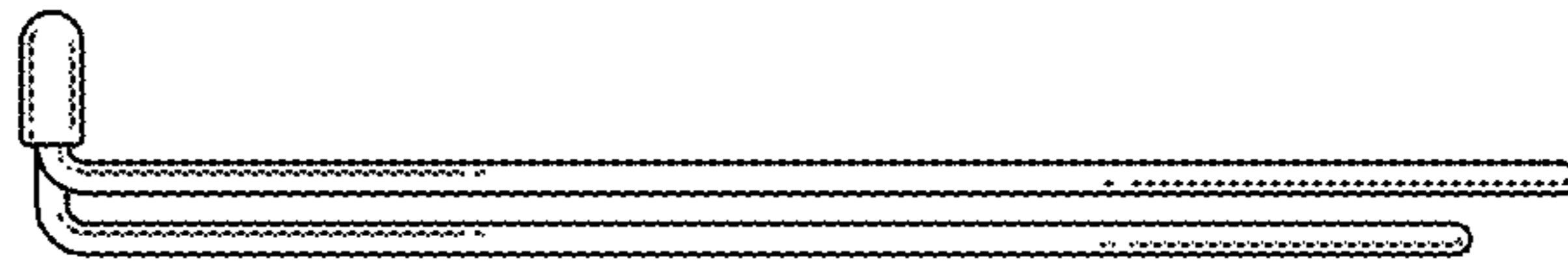


FIG. 4



FIG. 5

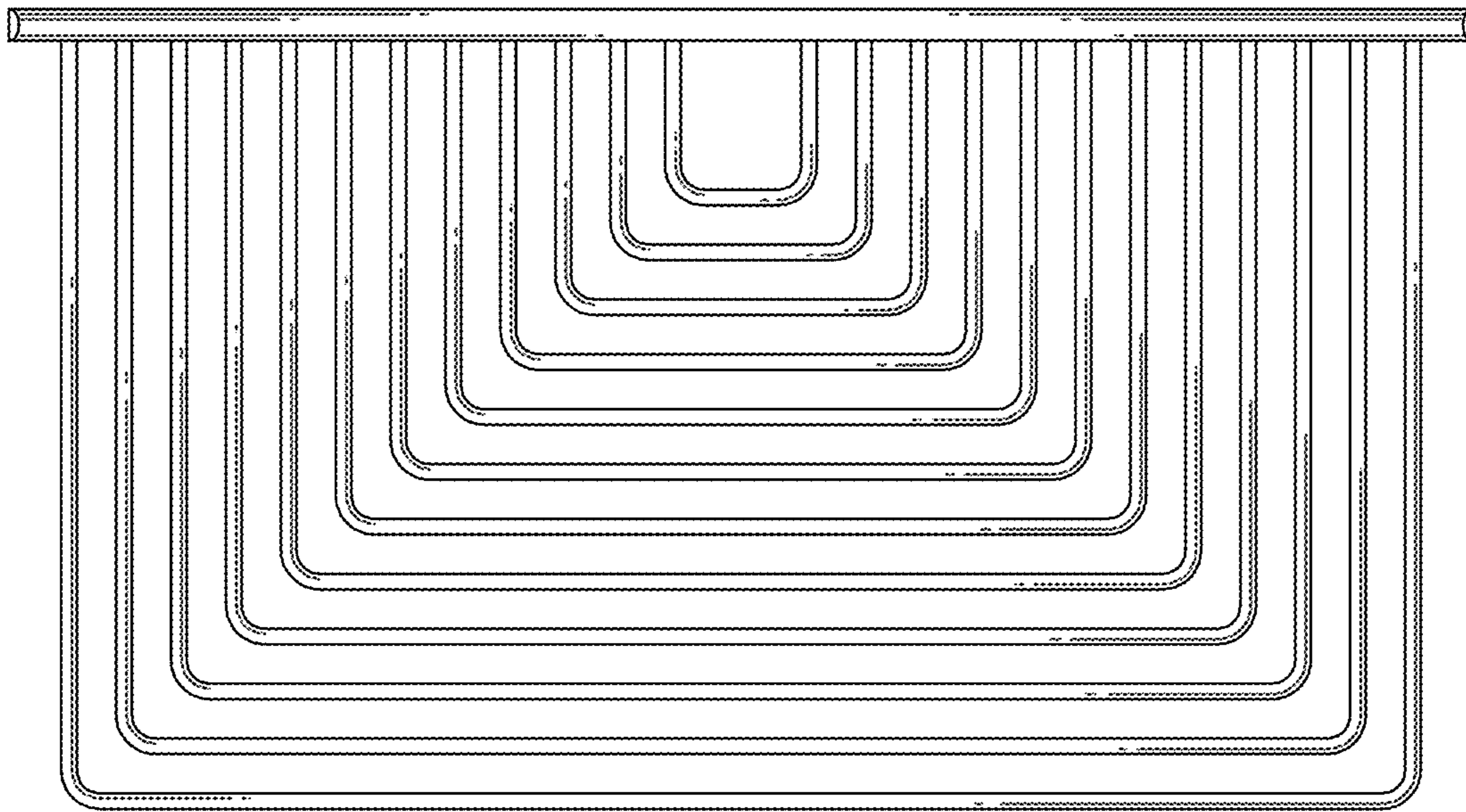


FIG. 6

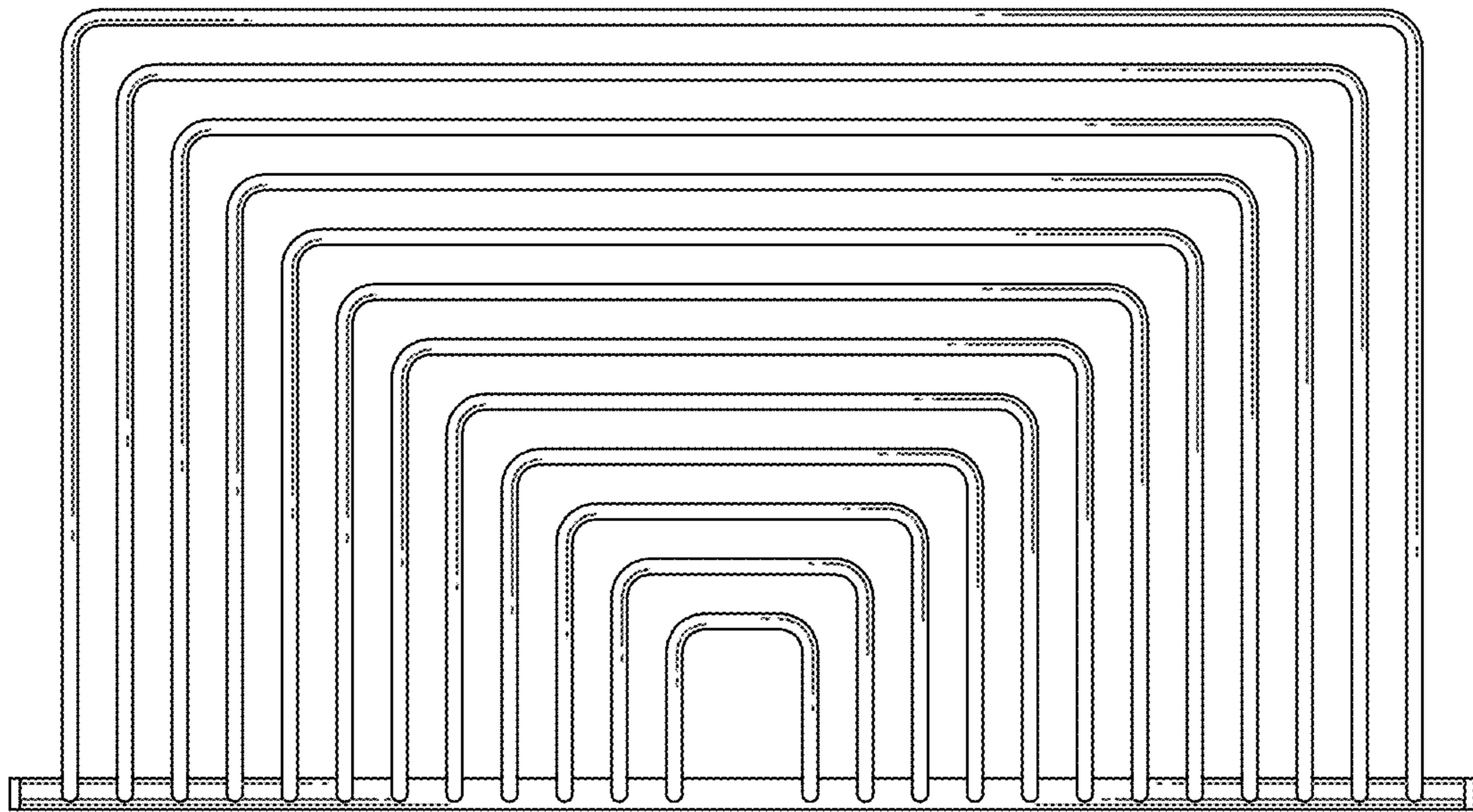


FIG. 7

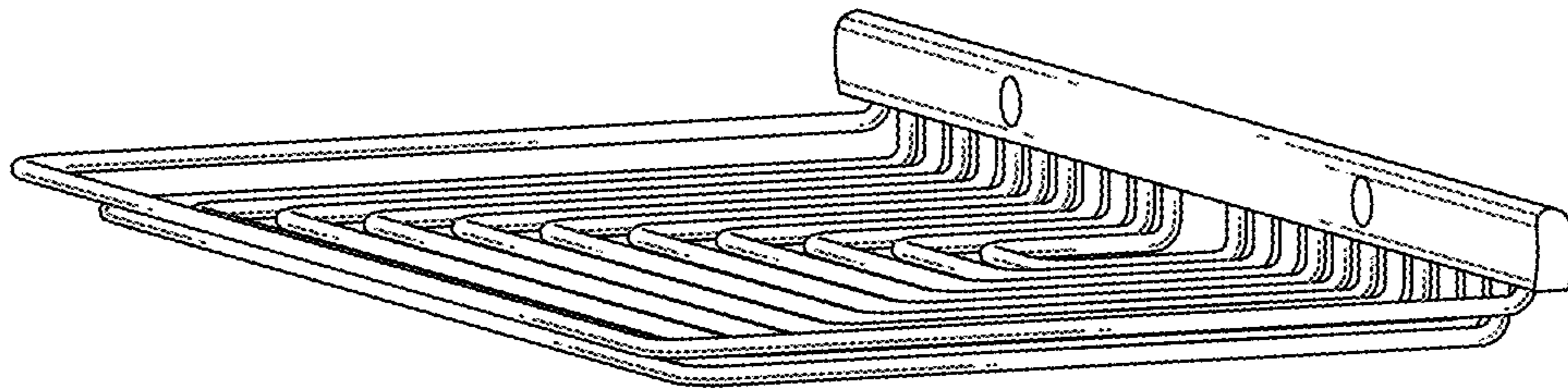


FIG. 8