

US00D769643S

(12) **United States Design Patent**  
**Holton**

(10) **Patent No.:** **US D769,643 S**  
(45) **Date of Patent:** **\*\* Oct. 25, 2016**

(54) **NOTCHED CONTAINER HAVING AN ADJUSTABLE BRACKET**

(71) Applicant: **Hunt Strategy, LLC**, Frankenmuth, MI (US)

(72) Inventor: **James Robert Holton**, Holly, MI (US)

(73) Assignee: **Hunt Strategy, LLC**, Frankenmuth, MI (US)

(\*\*) Term: **14 Years**

(21) Appl. No.: **29/520,796**

(22) Filed: **Mar. 18, 2015**

(51) **LOC (10) Cl.** ..... **06-07**

(52) **U.S. Cl.**

USPC ..... **D6/553**

(58) **Field of Classification Search**

USPC ..... D6/512, 513, 535, 553, 556, 574;  
D23/267, 268; D11/143, 155, 156

CPC ... E04D 13/064; E04D 13/08; A47F 5/0807;  
A47F 5/0025; A47F 5/04; A47H 27/00;  
A47B 96/076; A47B 31/00; B65D 90/14;  
B65D 25/24; B65D 25/22

See application file for complete search history.

(56) **References Cited**

**U.S. PATENT DOCUMENTS**

- 795,484 A \* 7/1905 Coble et al. .... B65D 25/24  
119/61.1
- D197,950 S \* 4/1964 Eicholtz et al. .... D6/513
- D218,771 S \* 9/1970 Harris et al. .... 211/65
- D245,288 S \* 8/1977 Roark ..... D3/298
- D247,357 S \* 2/1978 Gray ..... 47/59 R
- D259,868 S \* 7/1981 Julinot ..... D11/143
- D265,893 S \* 8/1982 Whiting ..... D11/151
- 4,380,290 A \* 4/1983 Luebke ..... A63C 11/027  
206/315.1
- D296,089 S \* 6/1988 Pouliot ..... D11/143
- 4,750,695 A \* 6/1988 Greenhouse ..... B65F 1/1415  
141/391
- D303,745 S \* 10/1989 Lowe ..... D6/553

- D306,201 S \* 2/1990 Paulsson ..... D23/267
- 4,957,254 A \* 9/1990 Hill ..... A47G 23/0225  
248/207
- 5,433,336 A \* 7/1995 Kristoffersson ..... A47B 88/20  
220/531
- 5,467,949 A \* 11/1995 Lemke ..... B65B 67/1233  
211/85.15
- D365,232 S \* 12/1995 Briault ..... D11/156
- 5,476,188 A \* 12/1995 Hassenpflug ..... F41A 23/18  
190/104
- 5,603,428 A \* 2/1997 Breckwoldt ..... E04F 21/02  
220/636
- 5,636,818 A \* 6/1997 Edwards ..... B62B 3/1408  
248/214
- D392,804 S \* 3/1998 Wilkening ..... D3/307
- D395,616 S \* 6/1998 Egloff ..... D11/156
- D403,268 S \* 12/1998 Dignam ..... D11/156
- 5,875,912 A \* 3/1999 Hobson ..... B43M 99/008  
220/4.03
- D413,261 S \* 8/1999 Yerich ..... D11/143
- 6,454,124 B1 \* 9/2002 Edwards ..... E04F 21/02  
220/4.32
- 6,575,328 B1 \* 6/2003 Foraker ..... E04F 21/00  
220/23.91
- D493,995 S \* 8/2004 Chen ..... D6/553
- D520,286 S \* 5/2006 Chen ..... D6/553

(Continued)

*Primary Examiner* — John Windmuller

*Assistant Examiner* — Steven Czyz

(74) *Attorney, Agent, or Firm* — Holland & Hart LLP

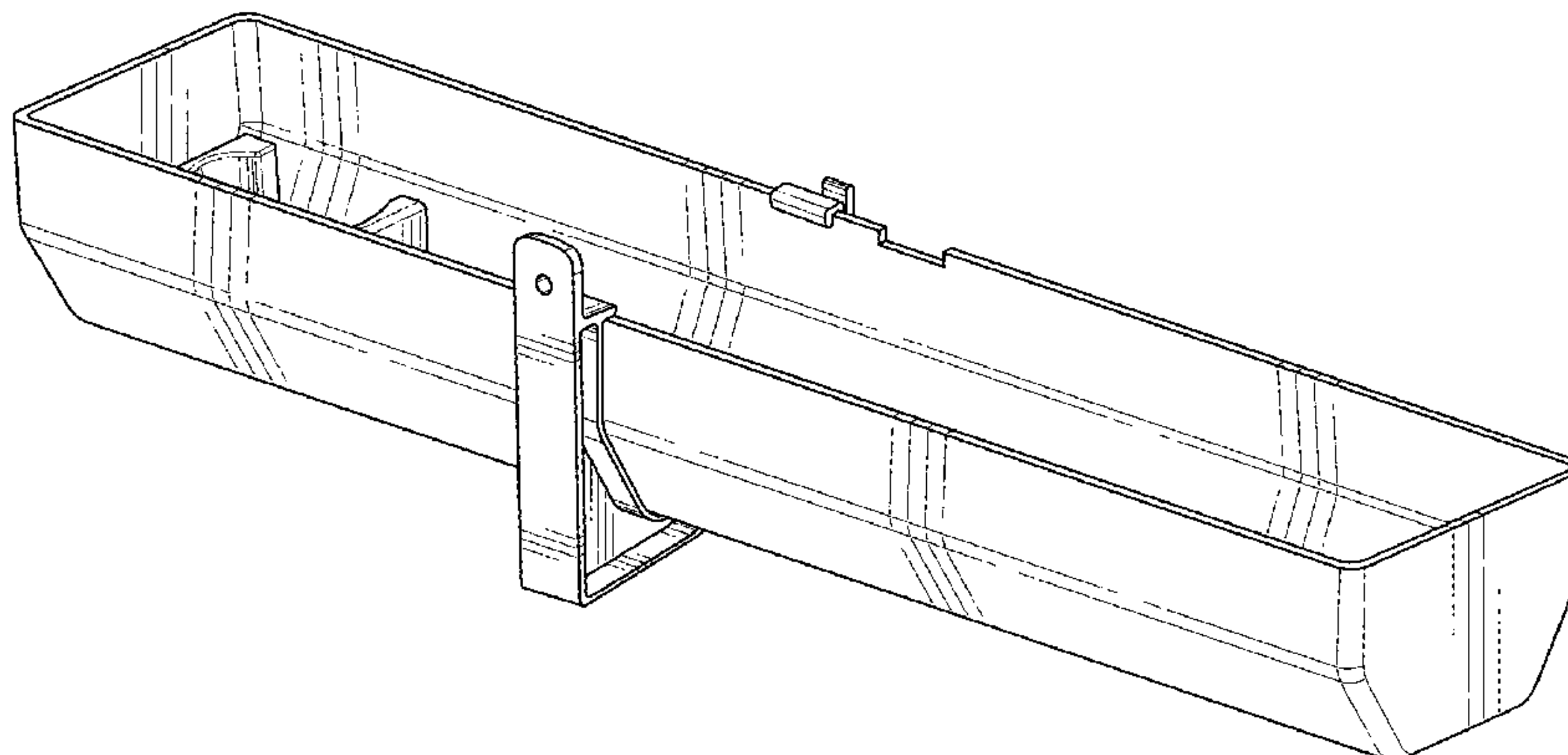
(57) **CLAIM**

The ornamental design for a notched container having an adjustable bracket, as shown.

**DESCRIPTION**

FIG. 1 is a rear perspective view of the notched container having an adjustable bracket of the present invention; FIG. 2 is a top perspective view thereof; FIG. 3 is a left side view thereof; FIG. 4 is a right side view thereof; FIG. 5 is a back view thereof; FIG. 6 is a front view thereof; and, FIG. 7 is a top plan view thereof.

**1 Claim, 6 Drawing Sheets**



(56)

References Cited

U.S. PATENT DOCUMENTS

D544,272 S \* 6/2007 Chen ..... D6/553  
D563,136 S \* 3/2008 Kramer ..... D6/553  
D564,820 S \* 3/2008 Loew ..... D6/513  
D587,947 S \* 3/2009 Valiulis ..... D6/553  
D589,728 S \* 4/2009 Shaha ..... D3/304  
D607,254 S \* 1/2010 Mak ..... D6/553  
D636,198 S \* 4/2011 Gibbs ..... D6/513  
D699,045 S \* 2/2014 Gomes ..... D6/513

D726,888 S \* 4/2015 Johansen ..... D23/267  
2006/0169705 A1 \* 8/2006 Pool ..... E04F 21/02  
220/629  
2007/0152002 A1 \* 7/2007 Dollar ..... B60R 11/00  
224/404  
2007/0176058 A1 \* 8/2007 Kohn ..... A47F 9/042  
248/100  
2009/0250294 A1 \* 10/2009 Byers ..... E06C 7/14  
182/129  
2011/0290803 A1 \* 12/2011 Kehres ..... E04F 21/02  
220/475

\* cited by examiner

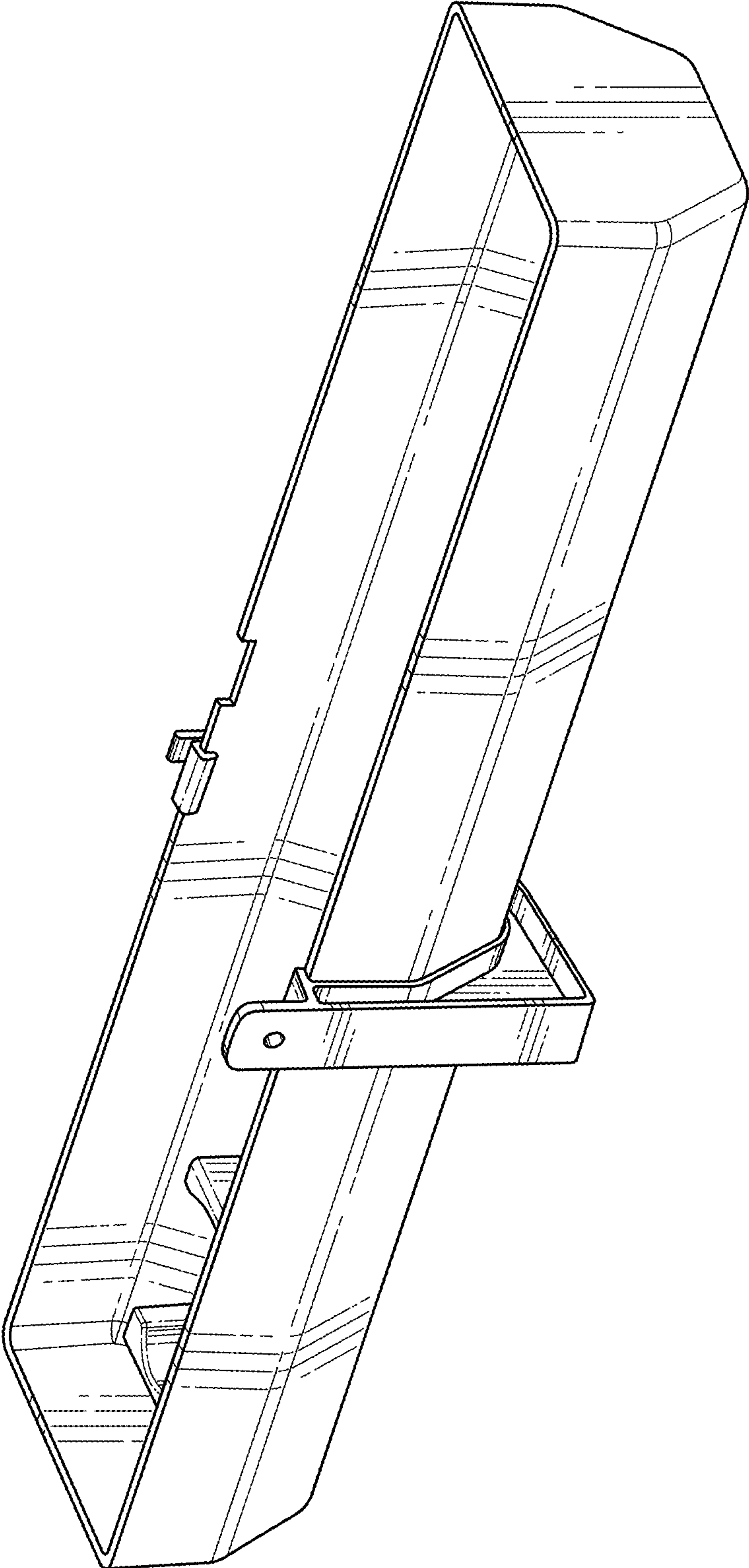


FIG. 1

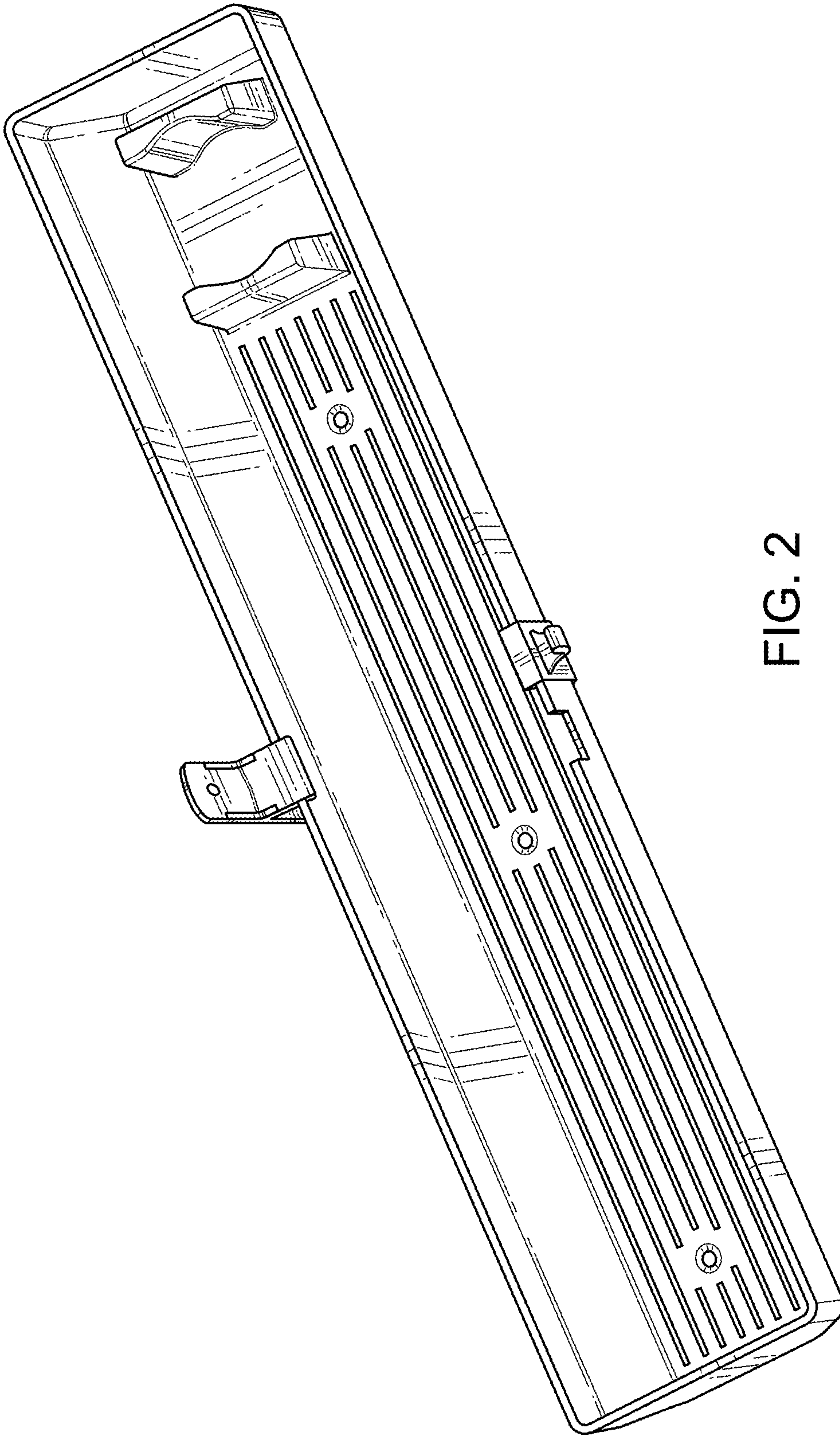


FIG. 2



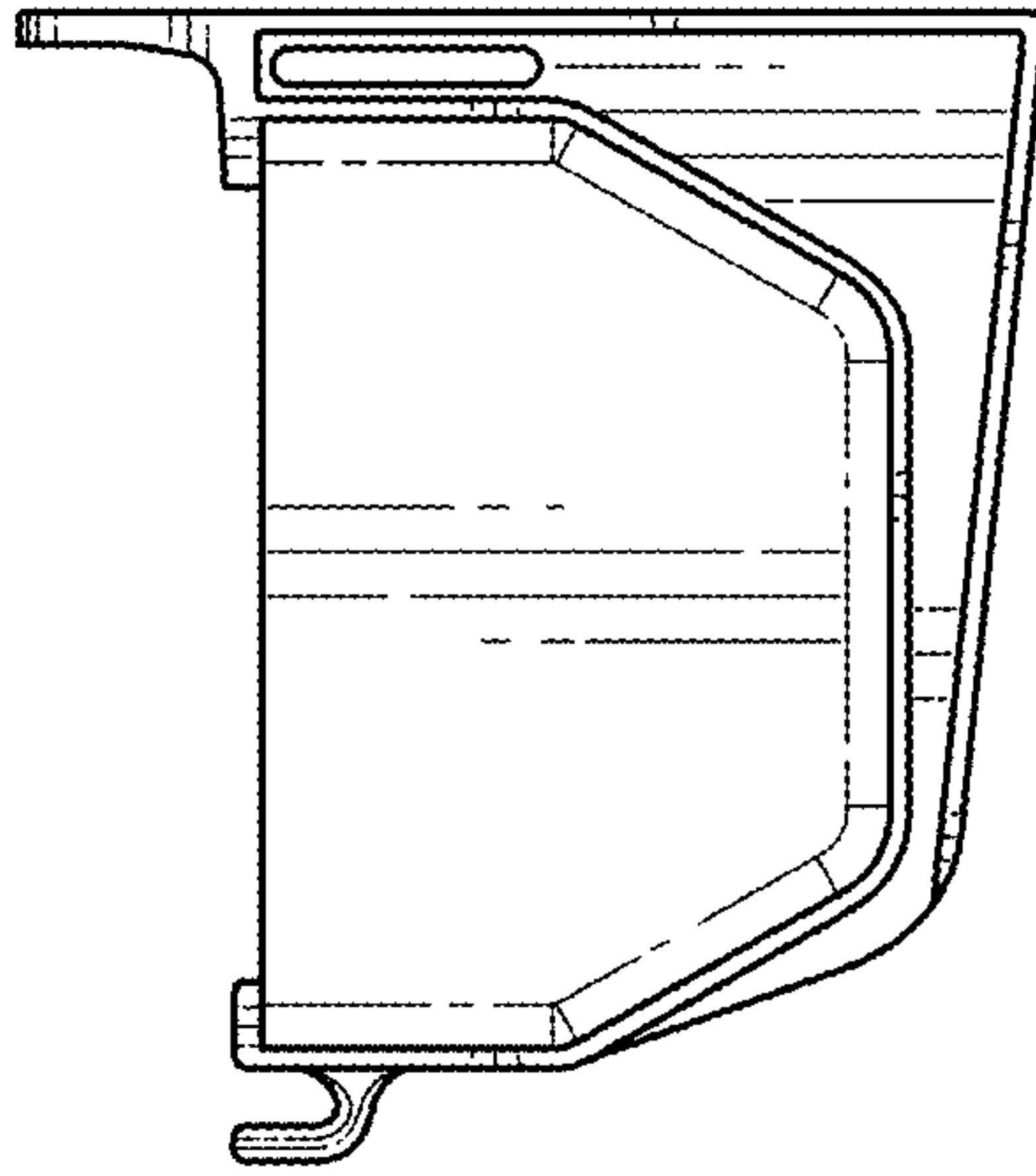


FIG. 4

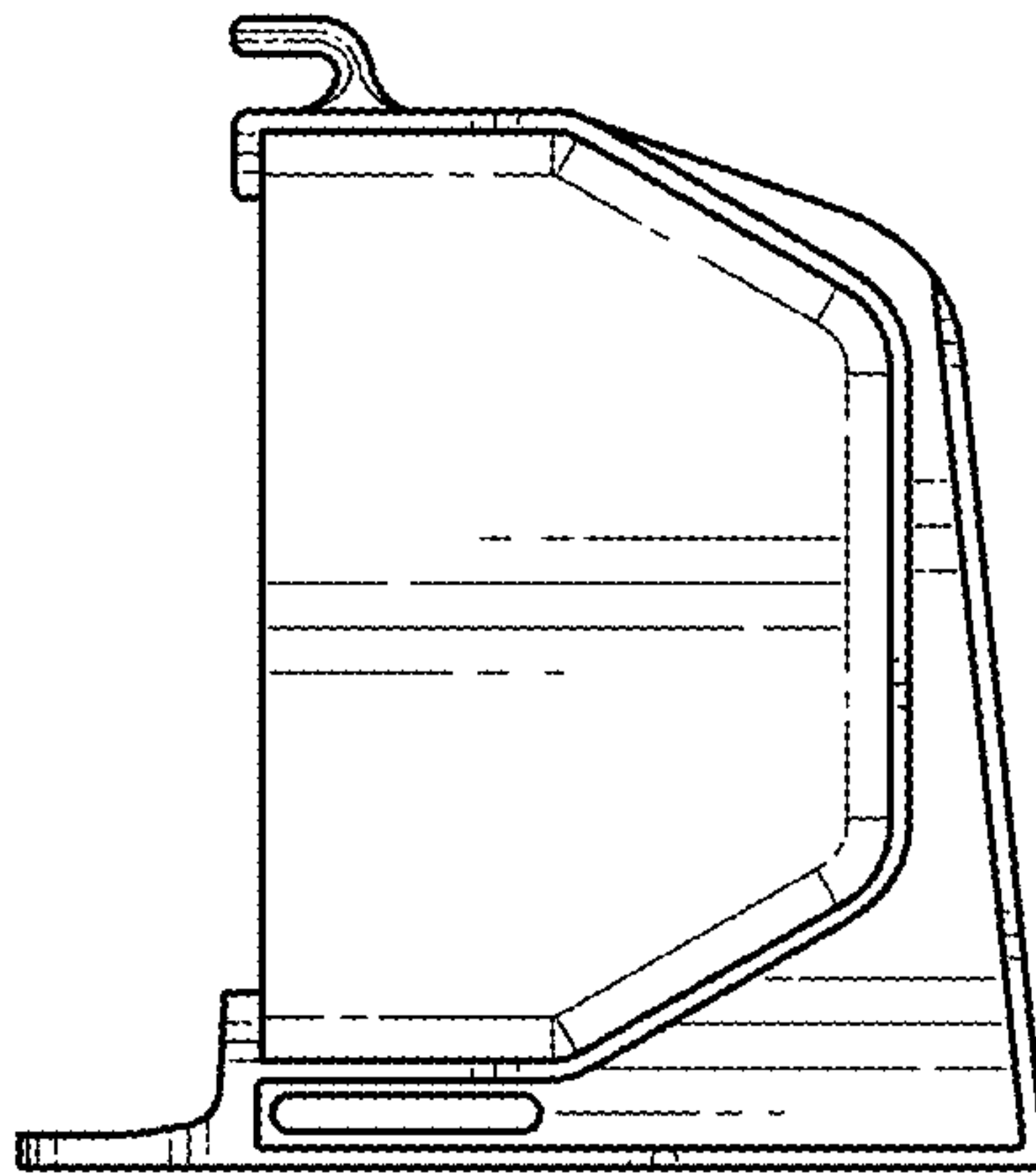


FIG. 3

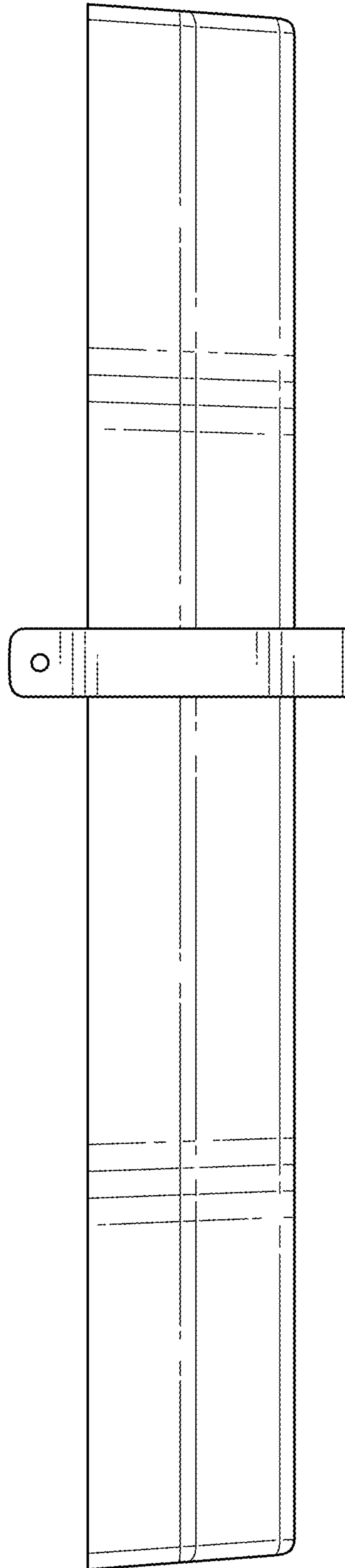


FIG. 5

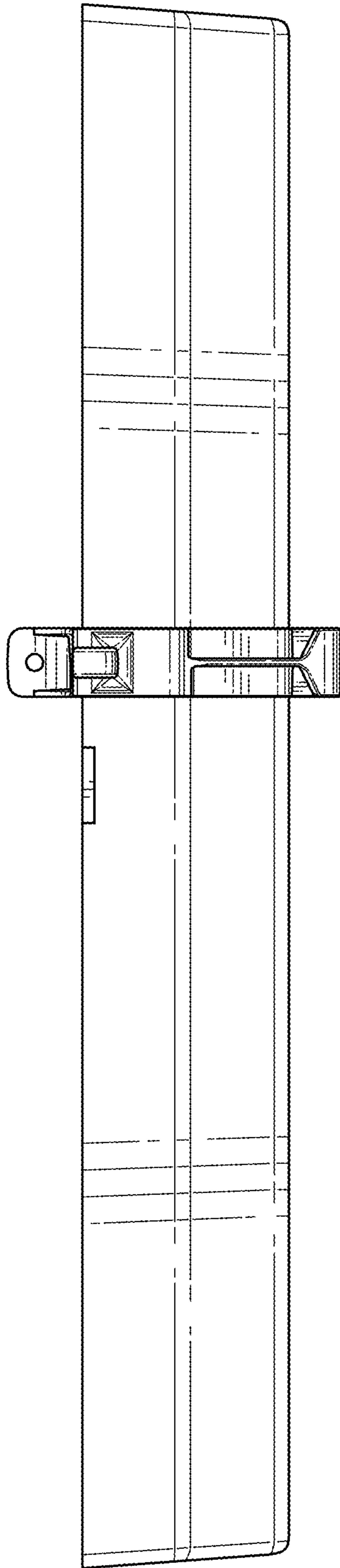


FIG. 6

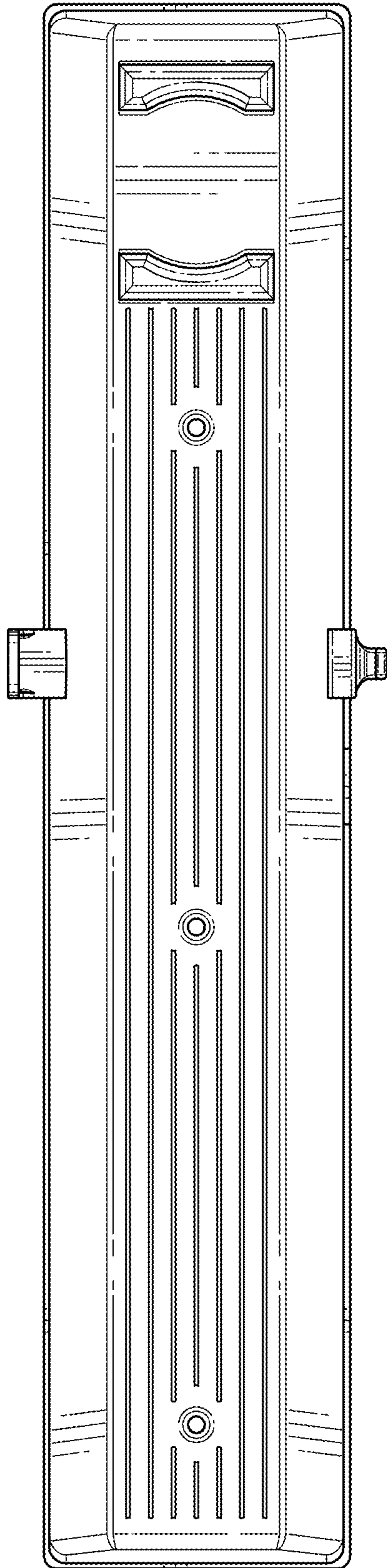


FIG. 7