



US00D769642S

(12) **United States Design Patent**
Holton

(10) **Patent No.:** **US D769,642 S**

(45) **Date of Patent:** **** Oct. 25, 2016**

(54) **CONTAINER HAVING BRACKETS**

(71) Applicant: **Jim Holton**, Holly, MI (US)

(72) Inventor: **Jim Holton**, Holly, MI (US)

(73) Assignee: **Hunt Strategy, LLC**, Frankenmuth, MI (US)

(**) Term: **14 Years**

(21) Appl. No.: **29/481,436**

(22) Filed: **Feb. 5, 2014**

(51) **LOC (10) Cl.** **06-04**

(52) **U.S. Cl.**
USPC **D6/552**

(58) **Field of Classification Search**
USPC D6/552; D3/201, 304; D8/349, 381;
108/25, 26, 97, 98, 134, 135, 136;
182/35, 53, 55, 129, 150, 187, 228.3;
248/214, 215, 230.6, 231.71, 318;
D26/81, 88
CPC A01M 31/02; F41A 35/00; F42B 39/28
See application file for complete search history.

(56) **References Cited**

U.S. PATENT DOCUMENTS

D274,967 S * 8/1984 Taylor D3/304
D305,841 S * 2/1990 MacQueen D3/304
5,653,309 A * 8/1997 Sturm A01M 31/02
182/135
5,740,633 A * 4/1998 Champagne E04D 13/064
52/11
D530,919 S * 10/2006 Snell D3/304

7,461,822 B2 * 12/2008 Edwards A01M 31/02
108/97
D612,608 S * 3/2010 Snell D3/304
8,763,755 B2 * 7/2014 Hagberg E04G 5/067
108/152
D748,453 S * 2/2016 Zurn D8/349

* cited by examiner

Primary Examiner — Wan Laymon

Assistant Examiner — Mark Booker

(74) *Attorney, Agent, or Firm* — Holland & Hart LLP

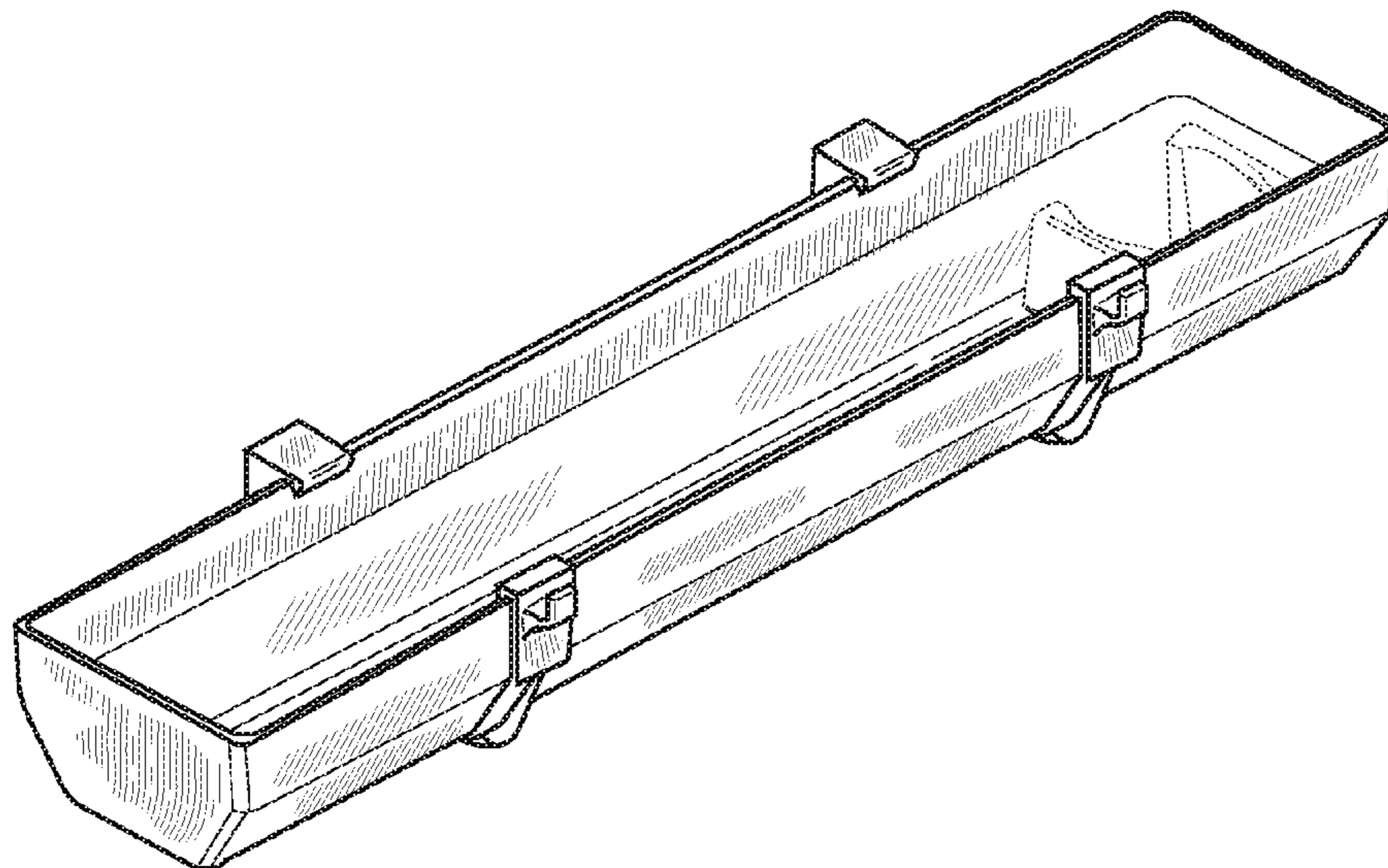
(57) **CLAIM**

The ornamental design for a container having brackets, as shown and described.

DESCRIPTION

FIG. 1 is a front perspective view of the container having brackets of the present invention;
FIG. 2 is a back perspective view of the container having brackets of FIG. 1;
FIG. 3 is a front view of the container having brackets of FIG. 1;
FIG. 4 is a back view of the container having brackets of FIG. 1;
FIG. 5 is a side view of the container having brackets of FIG. 1, as seen from the left side of FIG. 3, the right side being a minor image thereof; and,
FIG. 6 is a top plan view in elevation of the container having brackets of FIG. 1.
The broken lines shown in the figures represent portions of a container having brackets that form no part of the claimed design.

1 Claim, 3 Drawing Sheets



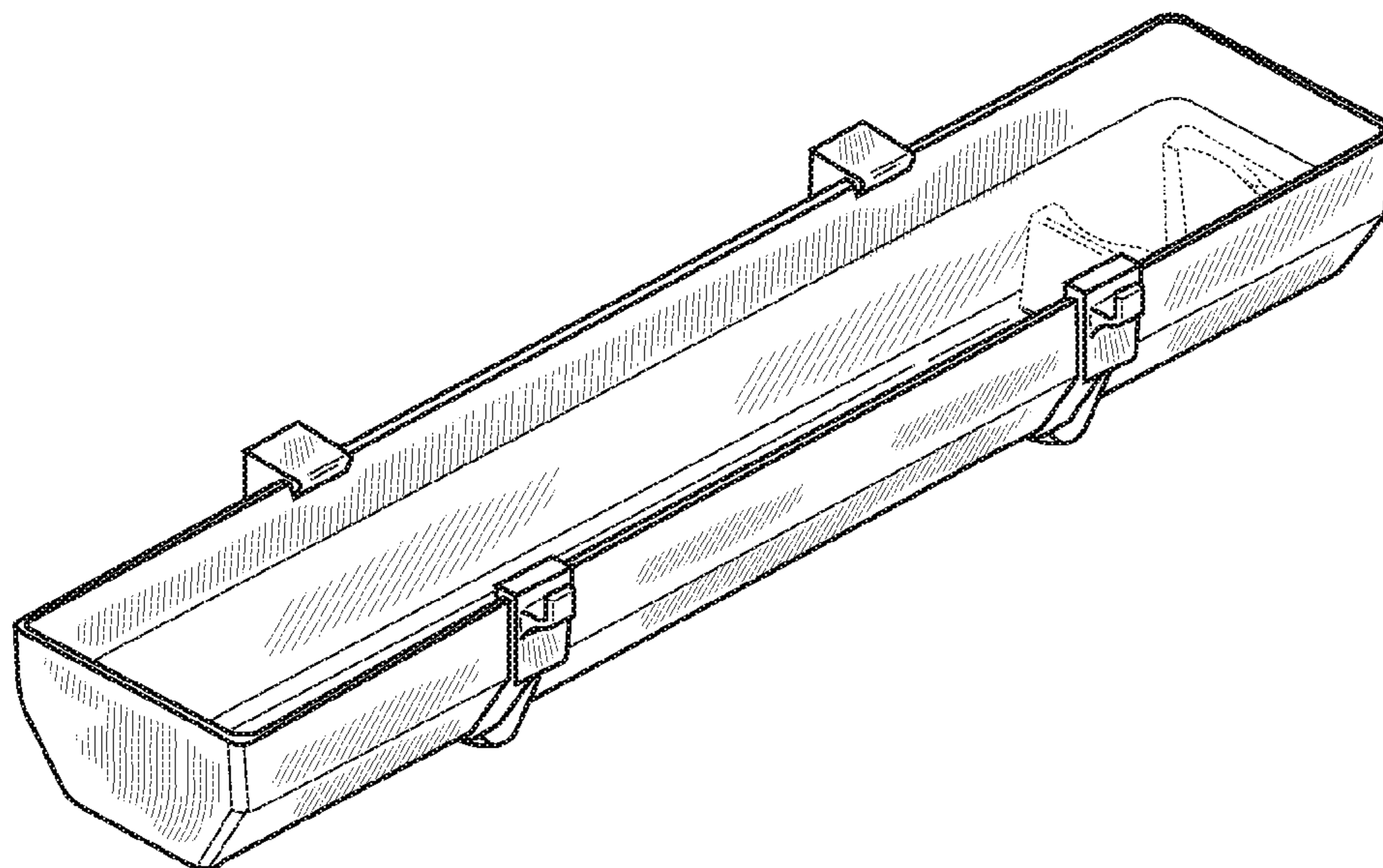


FIG. 1

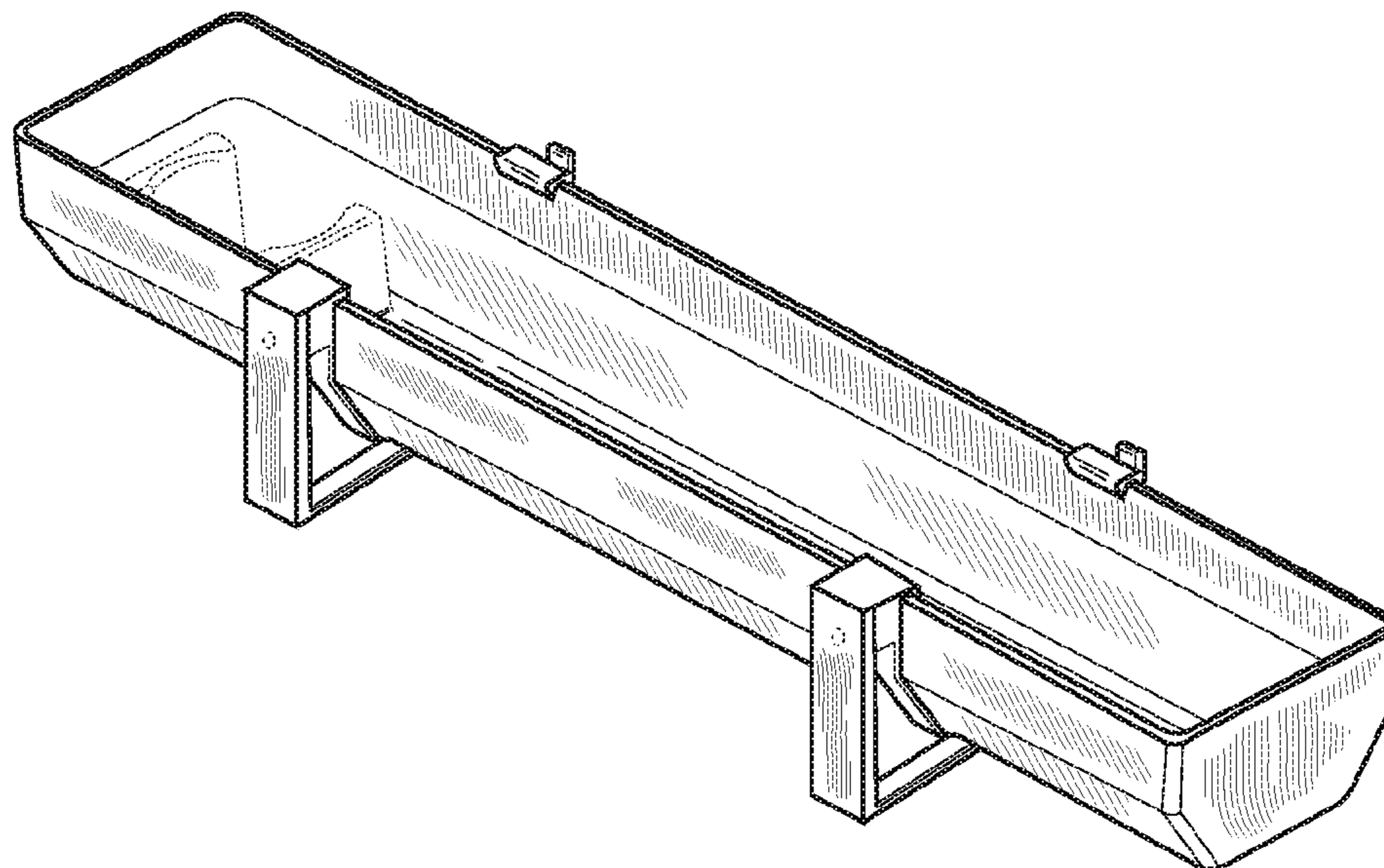


FIG. 2

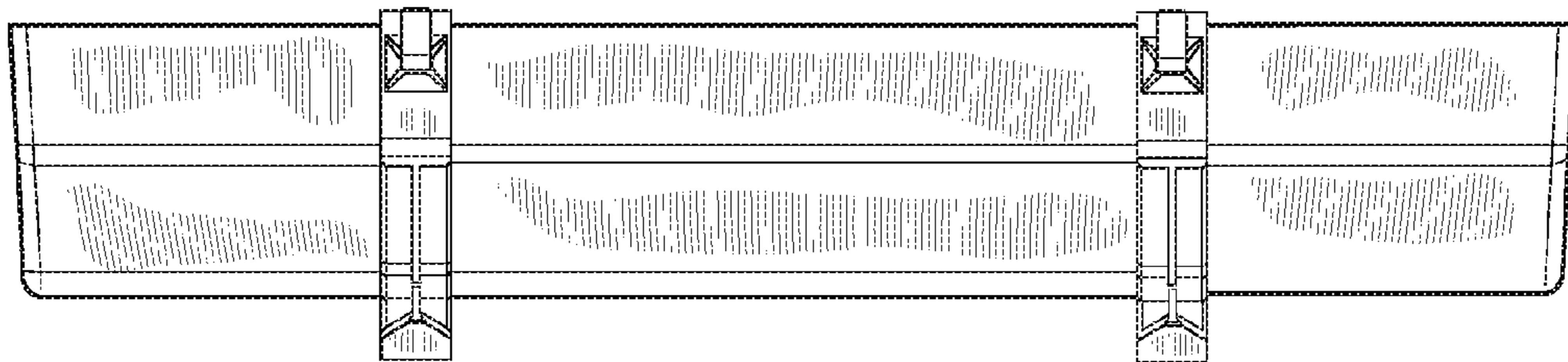


FIG. 3

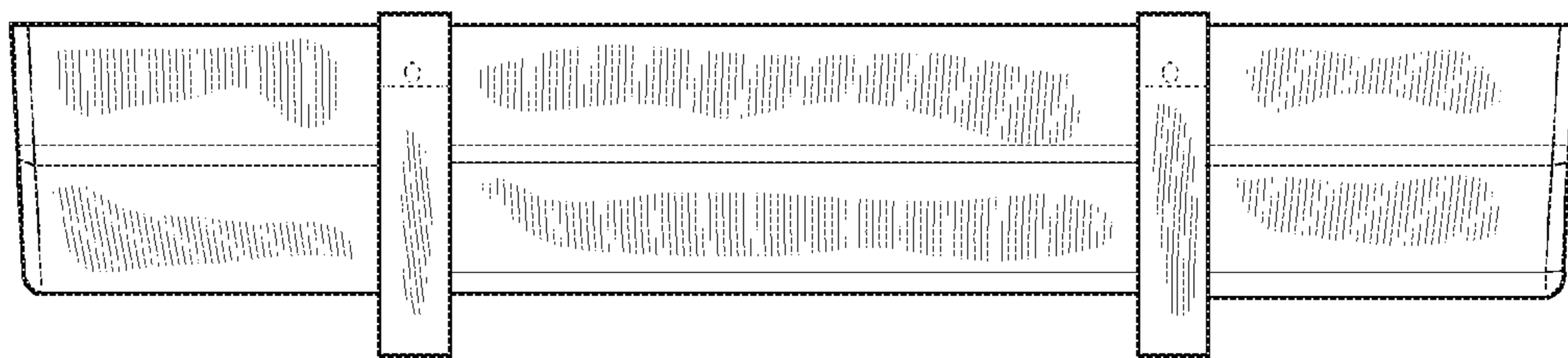


FIG. 4

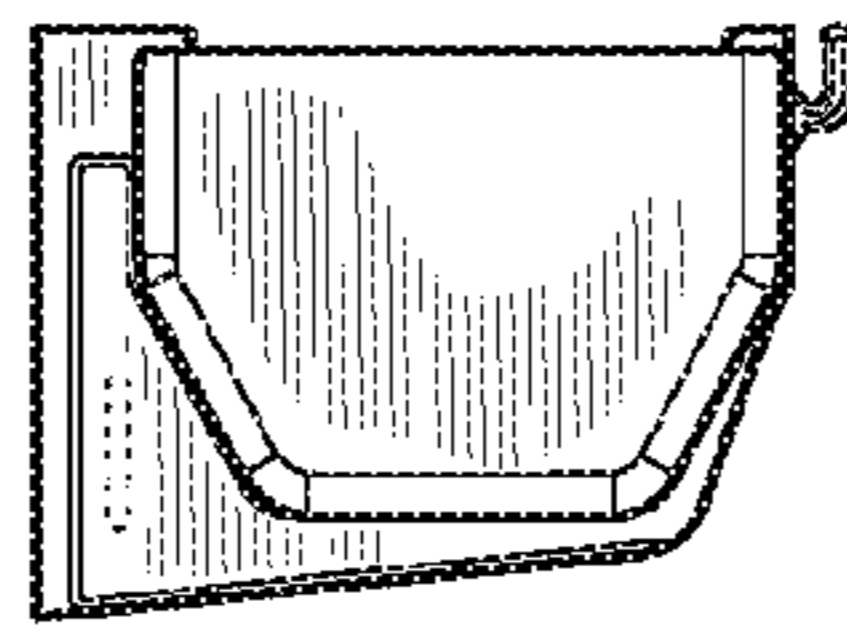


FIG. 5

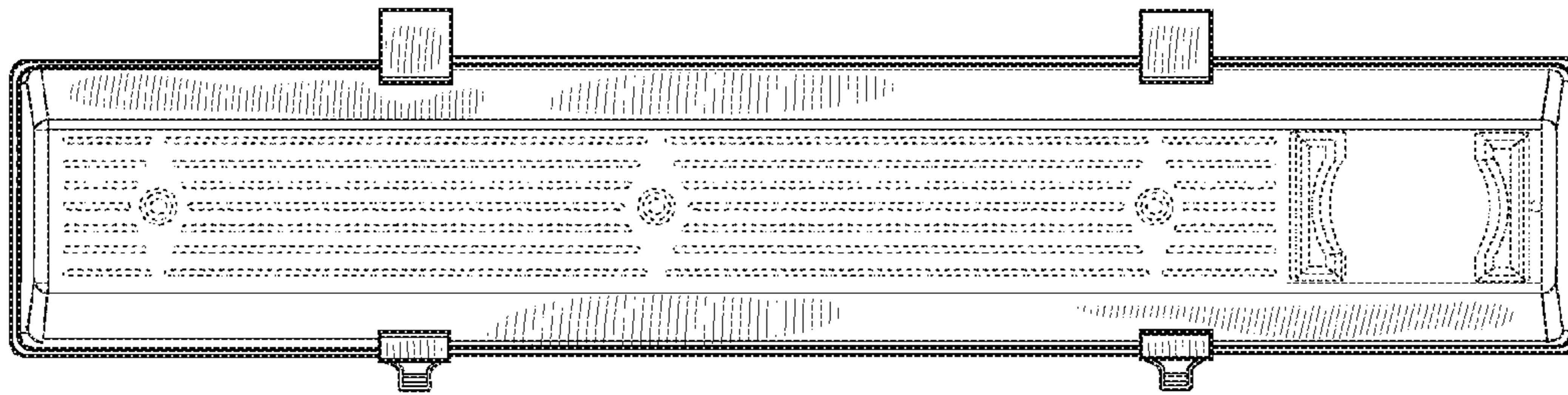


FIG. 6