



US00D769640S

(12) **United States Design Patent** (10) **Patent No.:** **US D769,640 S**
Chang (45) **Date of Patent:** **** Oct. 25, 2016**

(54) **SUPPORT ACCESSORY**

(71) Applicant: **Designer Brass Corporation**, Taichung (TW)

(72) Inventor: **Cheng Chung Chang**, Taichung (TW)

(73) Assignee: **DESIGNER BRASS CORPORATION**, Taichung (TW)

(**) Term: **14 Years**

(21) Appl. No.: **29/504,420**

(22) Filed: **Oct. 6, 2014**

(51) **LOC (10) Cl.** **23-02**

(52) **U.S. Cl.**
USPC **D6/524**

(58) **Field of Classification Search**

USPC D6/524, 528-531, 534; 206/361, 362, 206/362.1, 362.2, 362.3; 211/13.1, 60.1, 211/65, 66, 70.6, 89.01; 248/49, 175, 248/176.1, 200, 201, 205.1, 251, 302, 248/309.1, 315; 242/570, 590, 595-598
CPC A47K 5/02; A47K 10/10
See application file for complete search history.

(56) **References Cited**

U.S. PATENT DOCUMENTS

D337,014 S *	7/1993	Wang	D6/524
D455,196 S *	4/2002	Caplow	D23/249
D478,754 S *	8/2003	Moore	D6/524
D478,755 S *	8/2003	Moore	D6/524
D533,643 S *	12/2006	Veltz	D23/249
D550,009 S *	9/2007	Rexach	D6/524
D563,702 S *	3/2008	Ricereto	D6/524
D668,897 S *	10/2012	Romero	D6/524
D693,596 S *	11/2013	Zeng	D6/524

* cited by examiner

Primary Examiner — Wan Laymon

Assistant Examiner — Mark Booker

(74) *Attorney, Agent, or Firm* — Muncy, Geissler, Olds & Lowe, P.C.

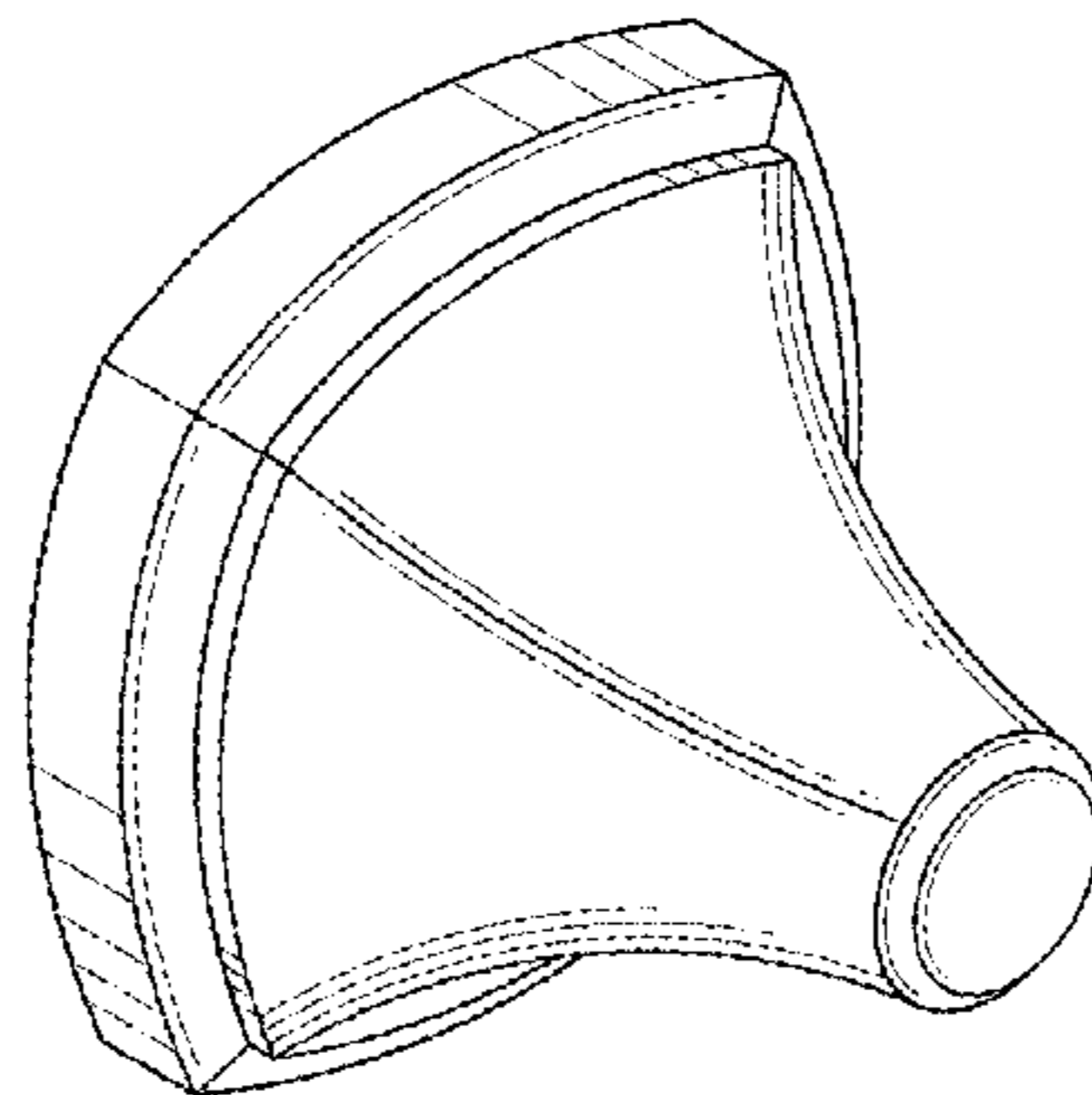
(57) **CLAIM**

The ornamental design for a support accessory, as shown and described.

DESCRIPTION

FIG. 1 is a top, front, and left side perspective view of a support accessory showing my new design;
FIG. 2 is a front elevation view thereof;
FIG. 3 is a top plan view thereof, the bottom being a mirror image of that shown;
FIG. 4 is a left side elevation view thereof, the right side being a mirror image of that shown;
FIG. 5 is an additional top, front, and left side perspective view of a first embodiment thereof, with the broken-line disclosure of a towel ring being for illustrative purposes only and forming no part of the claimed design;
FIG. 6 is an additional top, front, and left side perspective view of a second embodiment thereof, with the broken-line disclosure of a robe hook being for illustrative purposes only and forming no part of the claimed design;
FIG. 7 is an additional top, front, and left side perspective view of a third embodiment thereof, with the broken-line disclosure of a towel bar being for illustrative purposes only and forming no part of the claimed design;
FIG. 8 is an additional top, front, and left side perspective view of a fourth embodiment thereof, with the broken-line disclosure of a tissue holder being for illustrative purposes only and forming no part of the claimed design;
FIG. 9 is an additional top, front, and left side perspective view of a fifth embodiment thereof, with the broken-line disclosure of a double towel bar being for illustrative purposes only and forming no part of the claimed design; and
FIG. 10 is an additional top, front, and left side perspective view of a sixth embodiment thereof, with the broken-line disclosure of a glass shelf being for illustrative purposes only and forming no part of the claimed design; and,
FIG. 11 is an additional top, front, and left side perspective view of a seventh embodiment thereof, with the broken-line disclosure of a tilting wall mirror being for illustrative purposes only and forming no part of the claimed design.

1 Claim, 9 Drawing Sheets



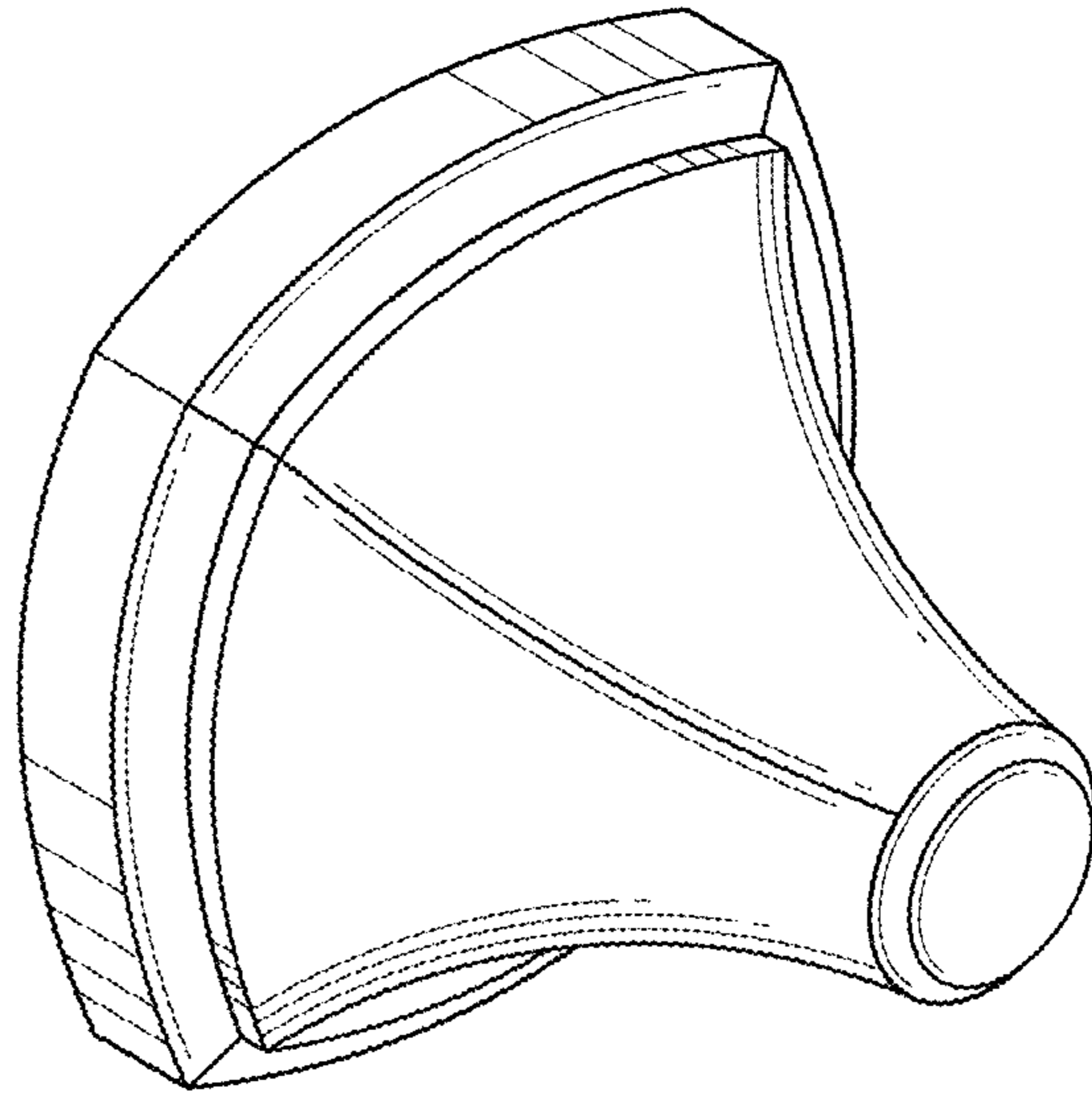


FIG. 1

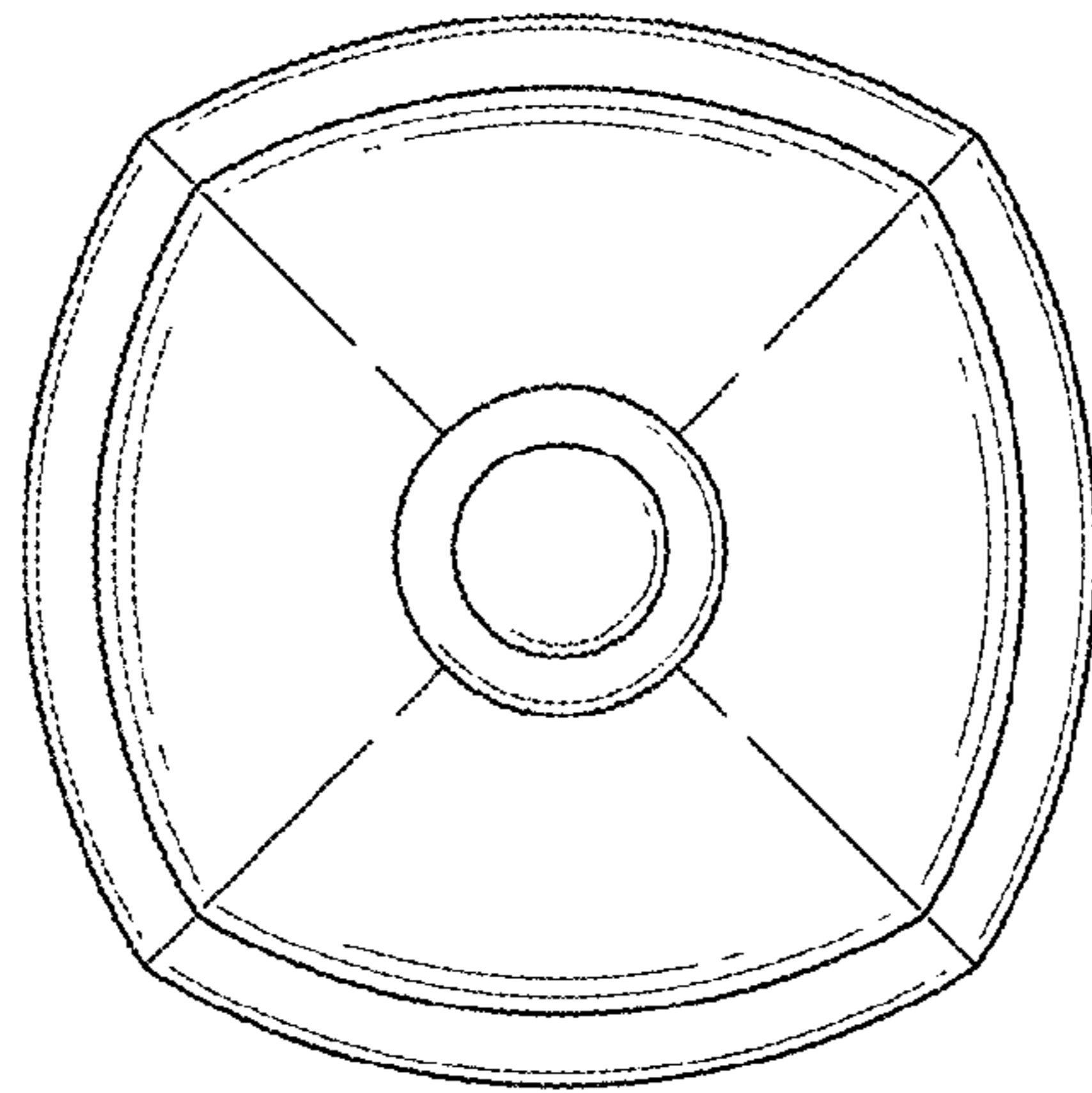


FIG. 2

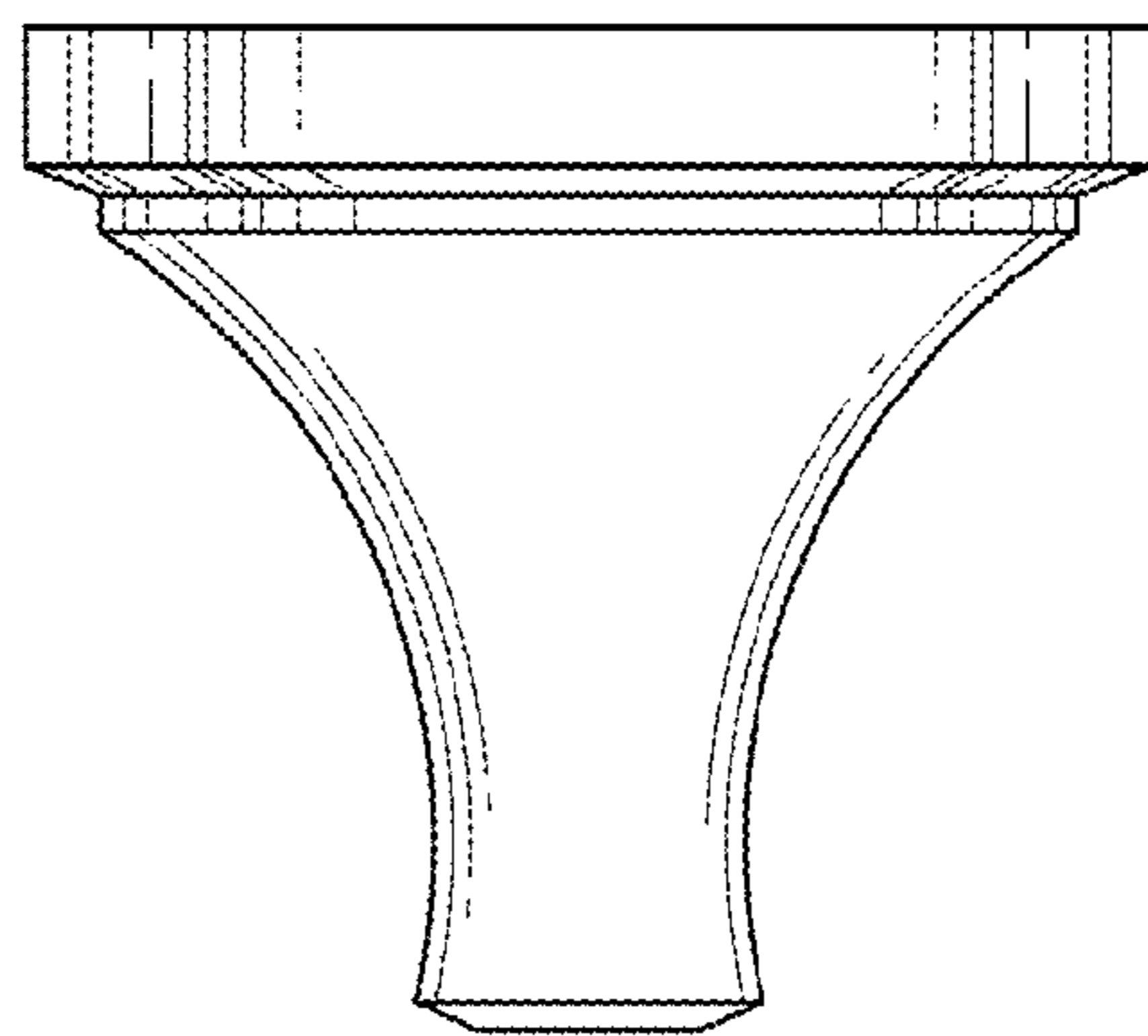


FIG. 3

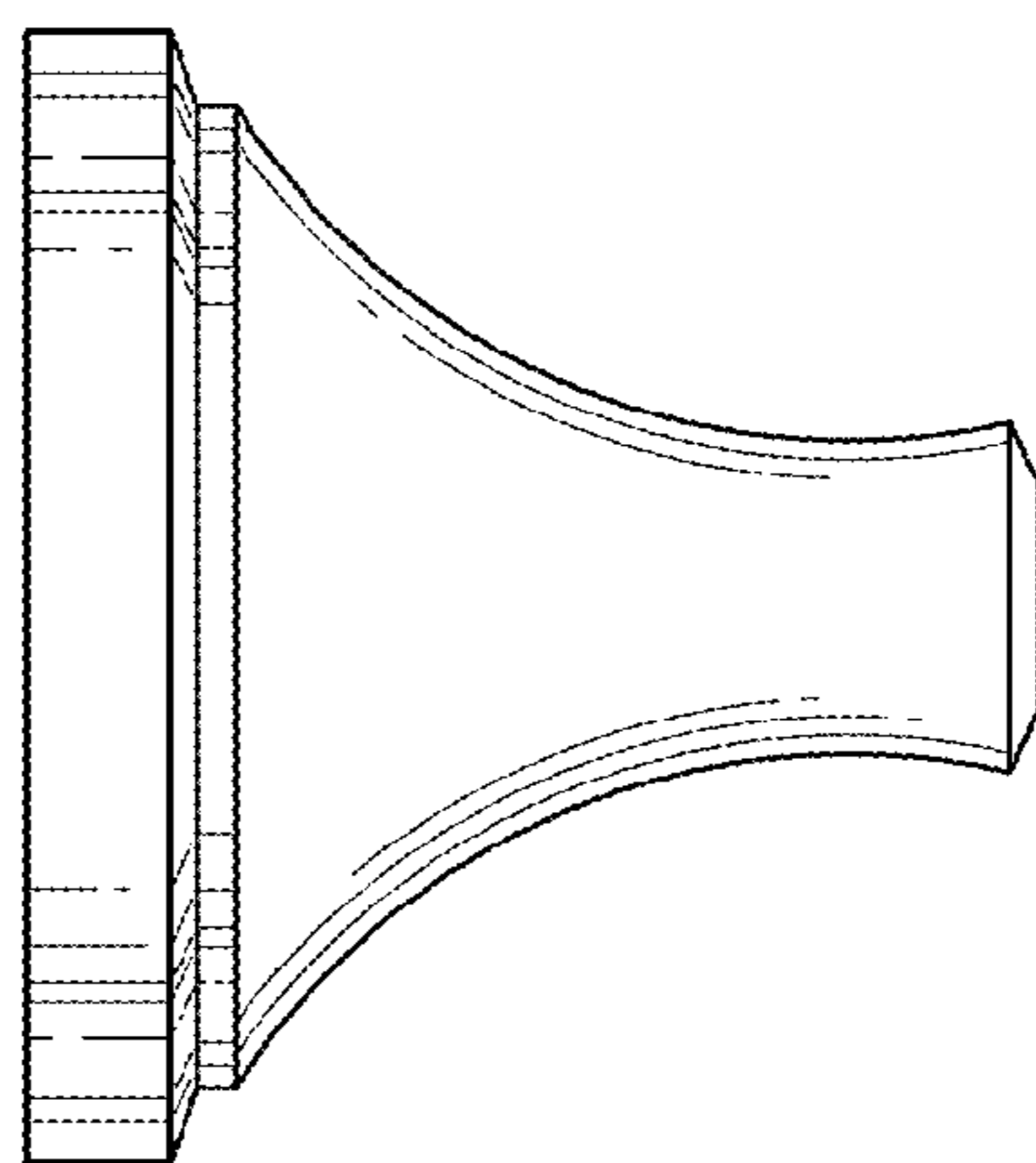


FIG. 4

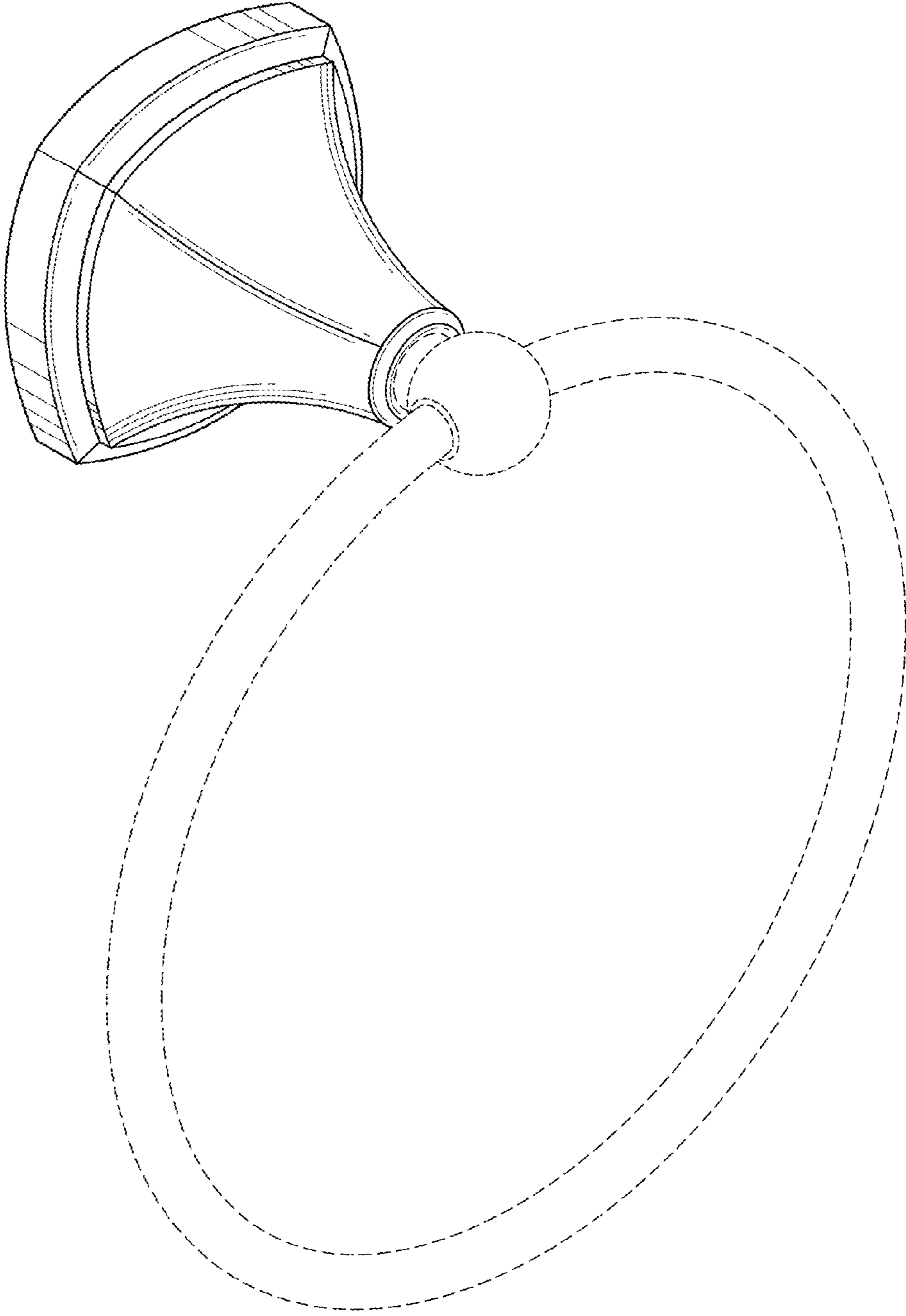


FIG. 5

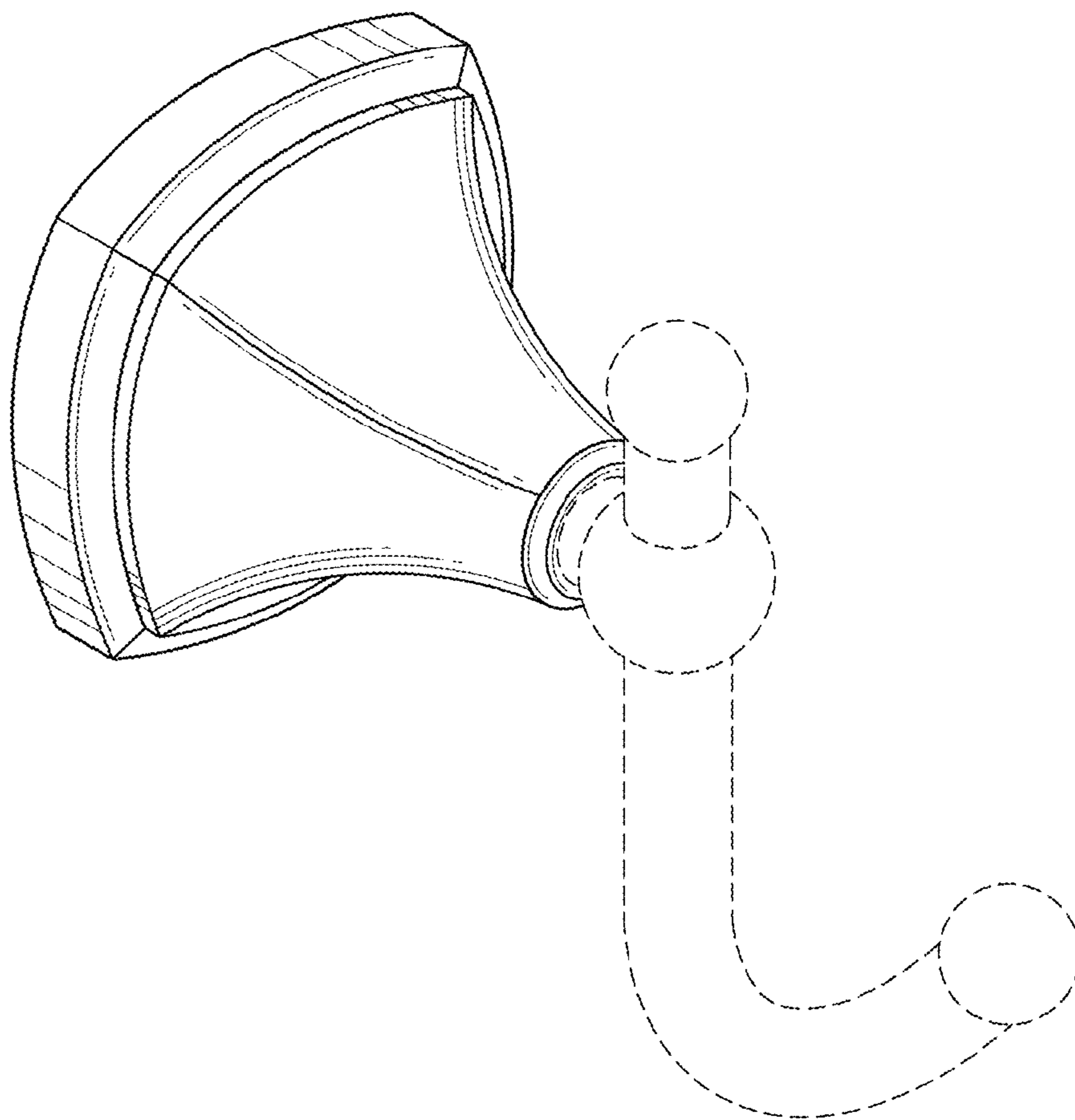


FIG. 6

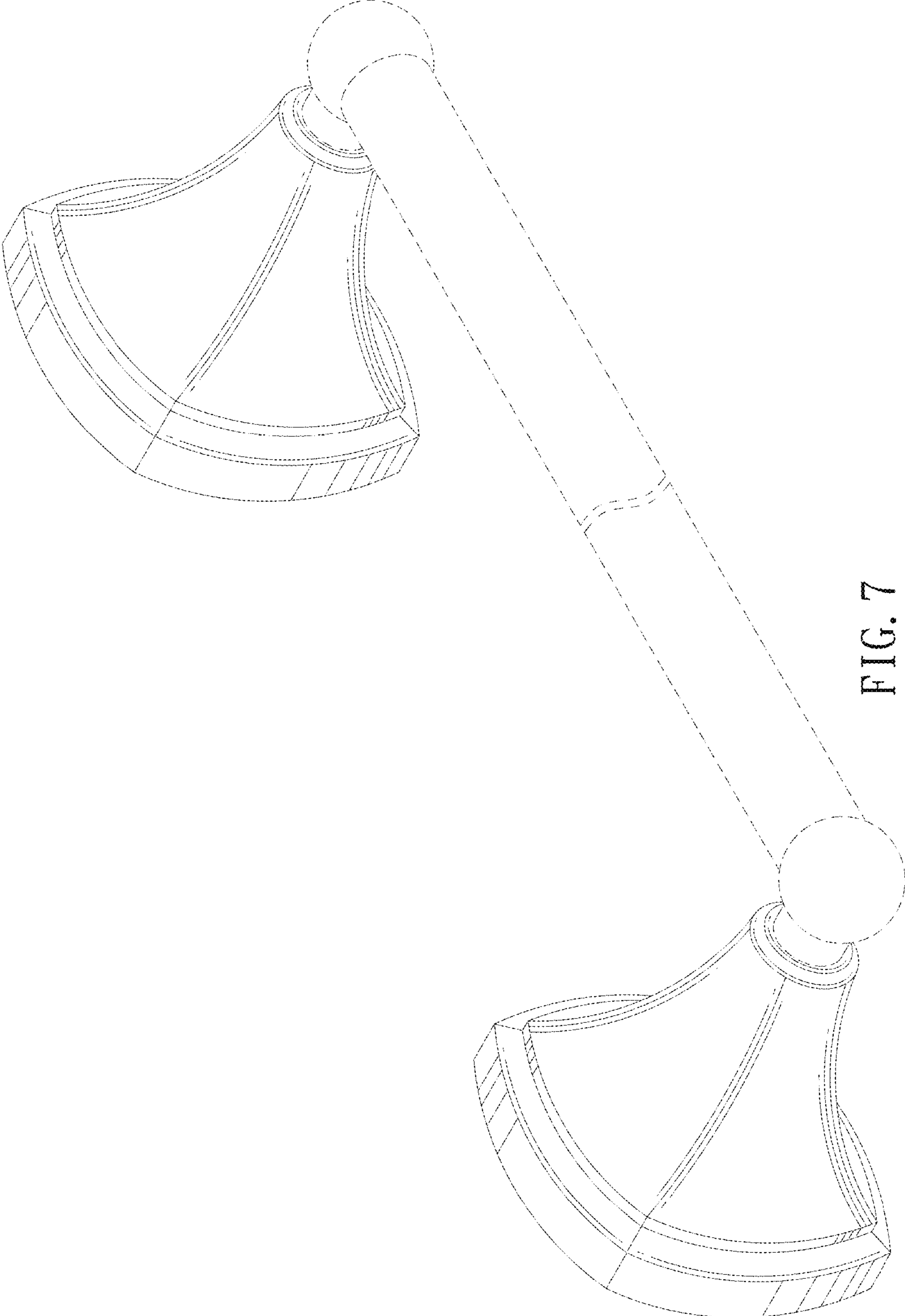


FIG. 7

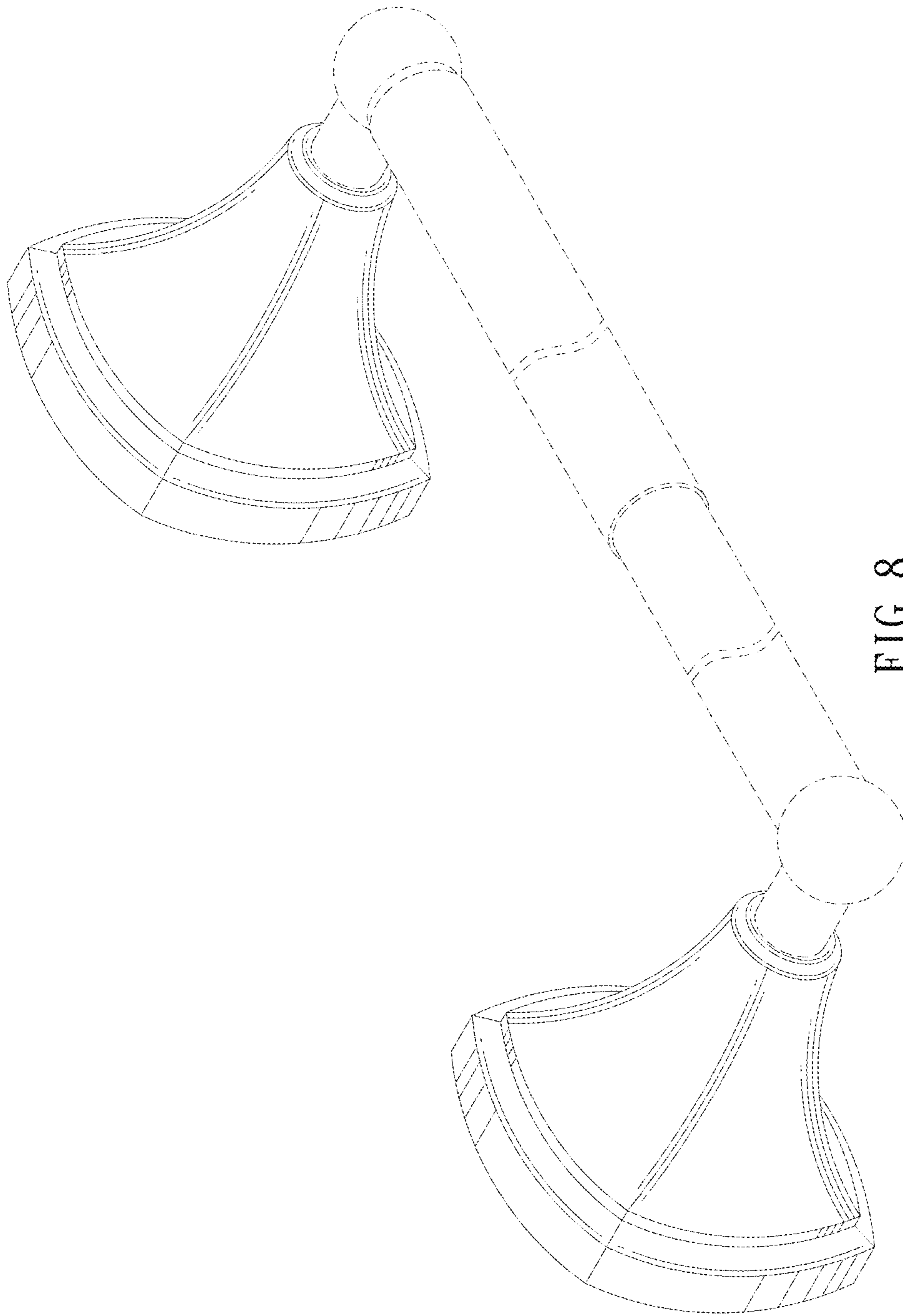


FIG. 8

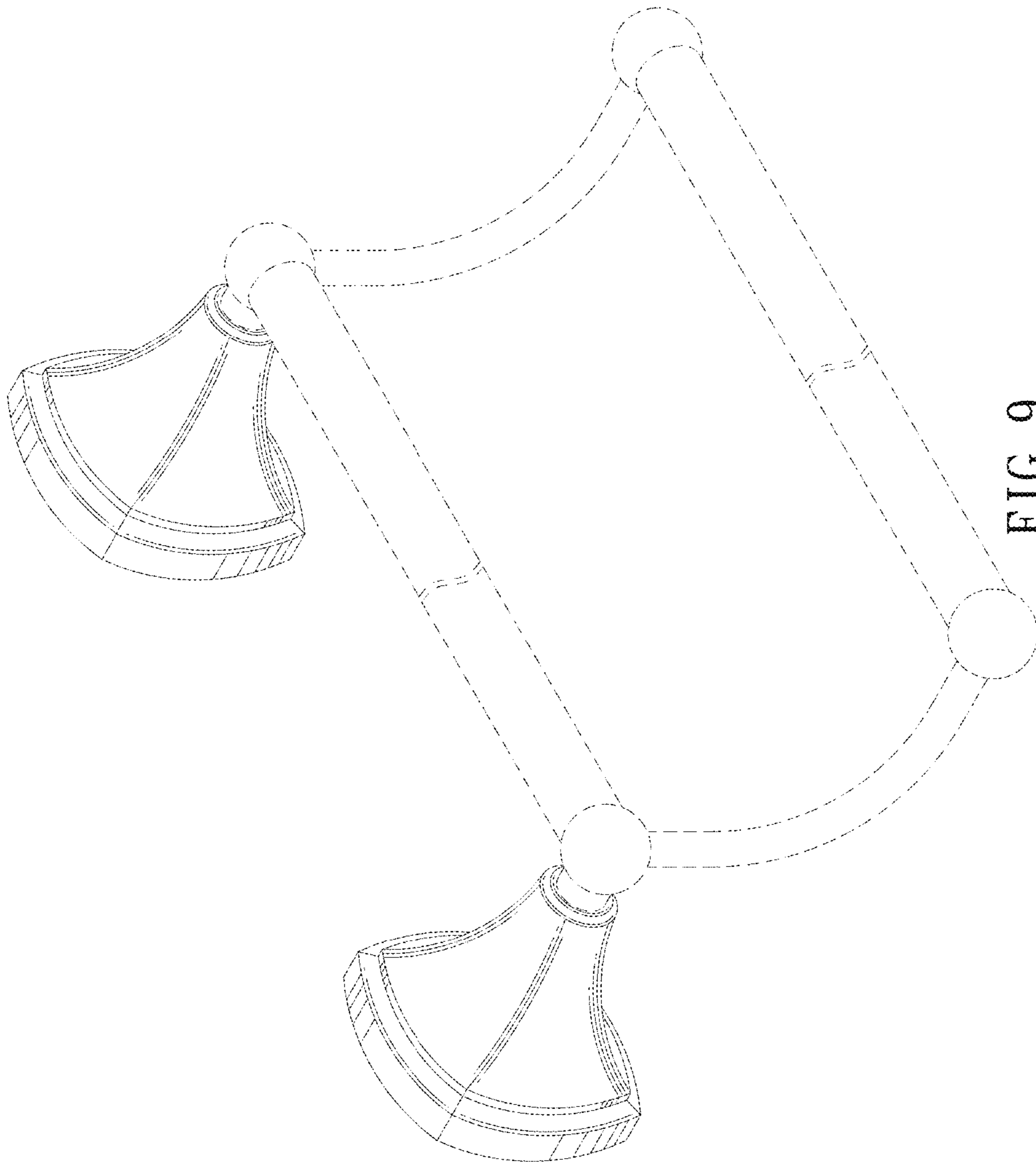


FIG. 9

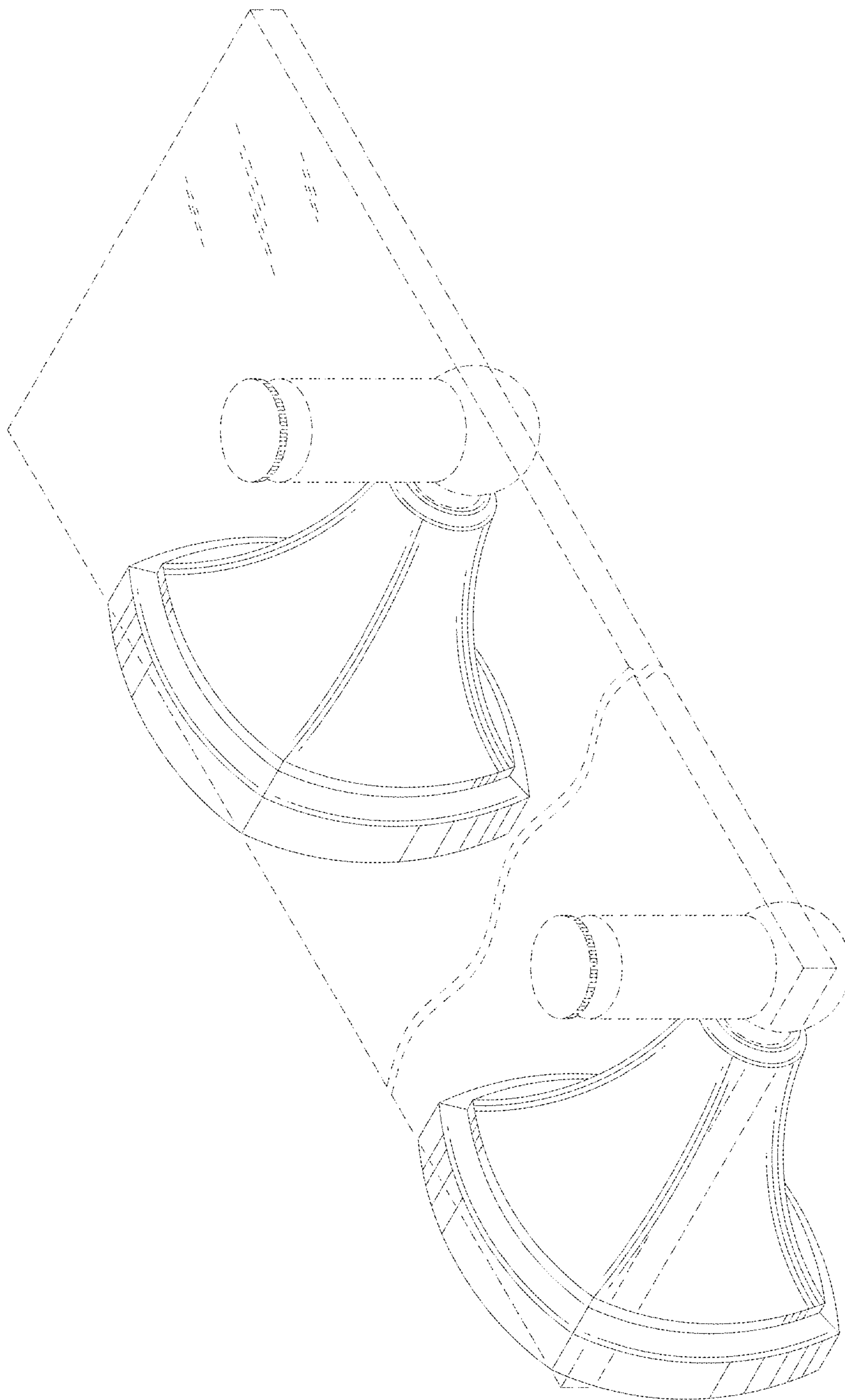


FIG. 10

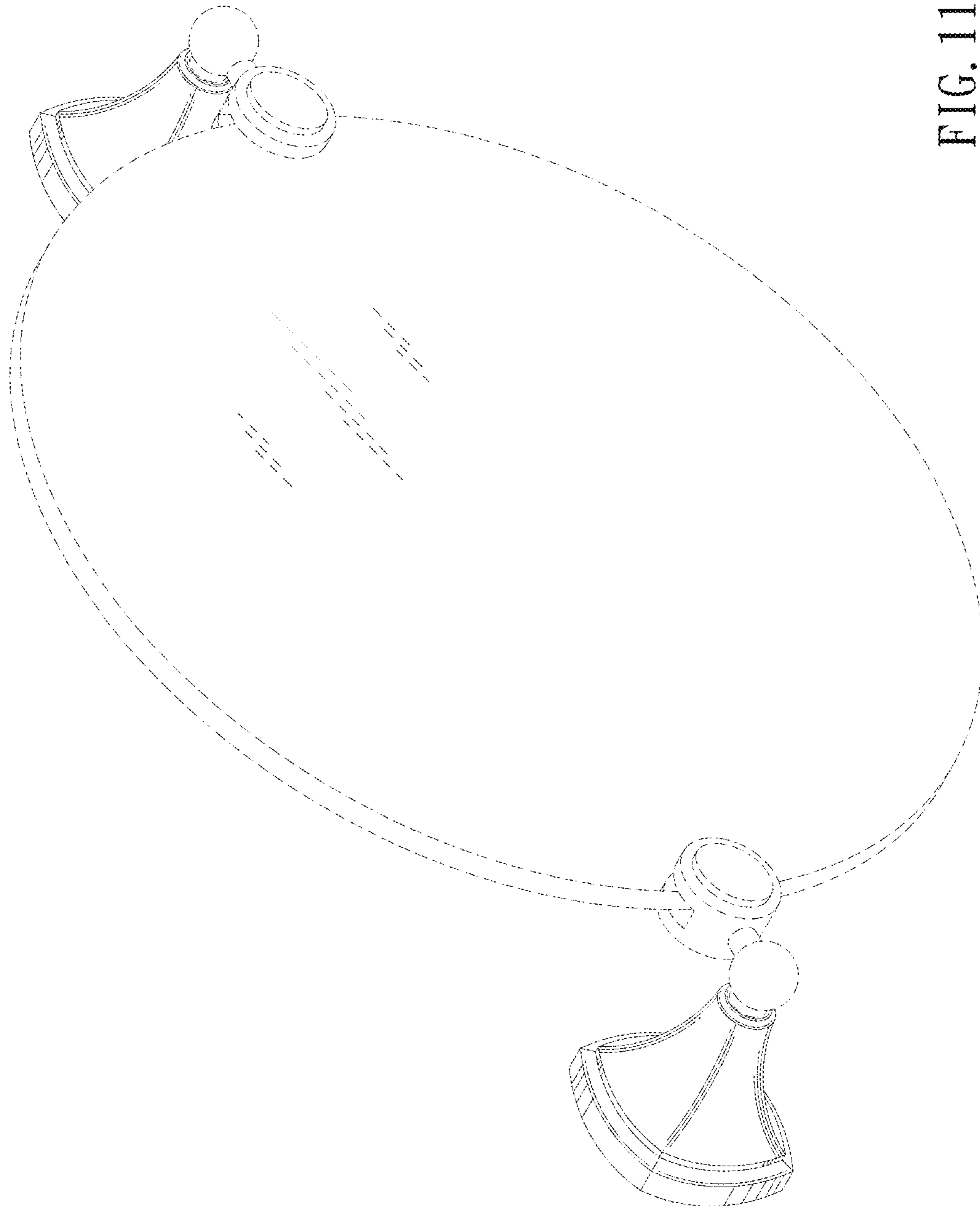


FIG. 11