

US00D769637S

(12) **United States Design Patent** (10) **Patent No.:** **US D769,637 S**
Mezzera (45) **Date of Patent:** **** Oct. 25, 2016**

(54) **CHAIR**

(71) Applicant: **Marcelo Mezzera**, Rancho Santa Margarita, CA (US)

(72) Inventor: **Marcelo Mezzera**, Rancho Santa Margarita, CA (US)

(73) Assignee: **LF Centennial Limited** (VG)

(**) Term: **14 Years**

(21) Appl. No.: **29/518,022**

(22) Filed: **Feb. 19, 2015**

(51) **LOC (10) Cl.** **06-01**

(52) **U.S. Cl.**
USPC **D6/366**

(58) **Field of Classification Search**
USPC D6/364-368, 374, 716; 297/452.24,
297/452.26, 452.28, 452.32-33, 452.37
CPC B60N 2/02; B60N 2/22; B60N 2/44;
A47C 1/10; A47C 1/031
See application file for complete search history.

(56) **References Cited**

U.S. PATENT DOCUMENTS

D531,433 S *	11/2006	Johnson	D6/366
D532,631 S *	11/2006	Egger	D6/366
D532,633 S *	11/2006	Smith	D6/366
D533,376 S *	12/2006	Vong	D6/366
D533,377 S *	12/2006	Egger	D6/366
D534,747 S *	1/2007	True	D6/366
D536,200 S *	2/2007	Vong	D6/366
D537,279 S *	2/2007	Smith	D6/366
D537,660 S *	3/2007	True	D6/366
D537,661 S *	3/2007	McDiarmid	D6/366
D537,662 S *	3/2007	McDiarmid	D6/366
D538,072 S *	3/2007	McDiarmid	D6/366
D538,073 S *	3/2007	McDiarmid	D6/366
D538,558 S *	3/2007	Egger	D6/366
D538,559 S *	3/2007	Egger	D6/366
D540,073 S *	4/2007	McDiarmid	D6/366
D540,573 S *	4/2007	Smith	D6/366
D540,574 S *	4/2007	Johnson	D6/366

D540,575 S *	4/2007	Johnson	D6/366
D543,060 S *	5/2007	Mazzera	D6/366
D543,393 S *	5/2007	Vong	D6/366
D543,399 S *	5/2007	Johnson	D6/716
D550,001 S *	9/2007	Mazzera	D6/366
D551,881 S *	10/2007	True	D6/366
D557,530 S *	12/2007	Egger	D6/366
D557,531 S *	12/2007	Johnson	D6/366
D557,947 S *	12/2007	Egger	D6/366
D561,502 S *	2/2008	Egger	D6/366
D561,504 S *	2/2008	Smith	D6/366
D566,435 S *	4/2008	Grove	D6/366

(Continued)

OTHER PUBLICATIONS

Amazon [online] Retrieved on Jun. 6, 2016 from URL:<http://www.amazon.com/Serta-43807-Health-Wellness-Executive/dp/B00EUU5G82>.*

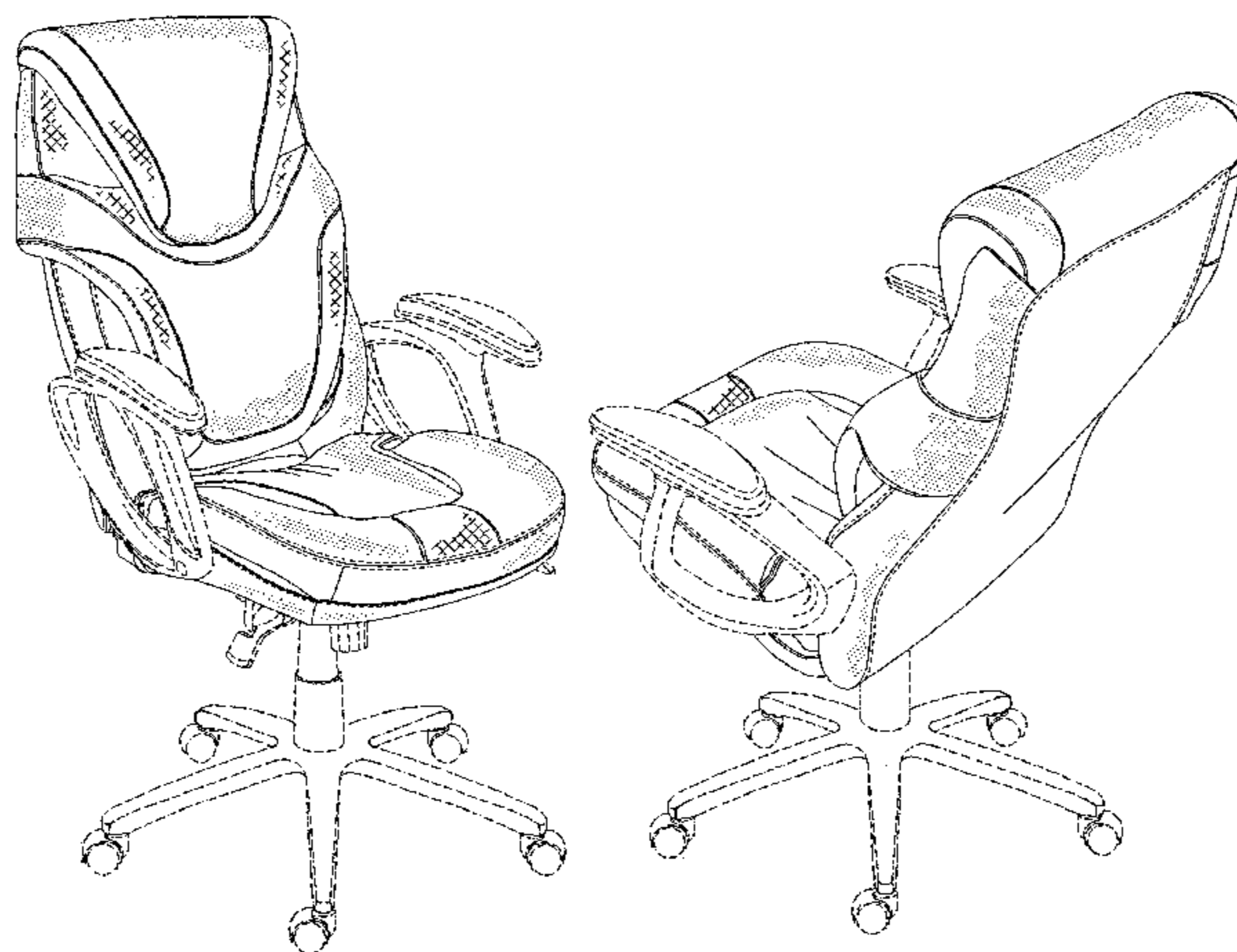
Primary Examiner — Manpreet Matharu
Assistant Examiner — Keith Wilson
(74) *Attorney, Agent, or Firm* — Morland C. Fischer

(57) **CLAIM**
The ornamental design for a chair, as shown and described.

DESCRIPTION

FIG. 1 is a perspective view showing the left side, top and front of a chair which forms my new design, the long broken lines in this and other figures representing environment and forming no part of the claim;
FIG. 2 is a perspective view showing the right side, top and rear thereof;
FIG. 3 is a front elevational view;
FIG. 4 is a left side elevational view thereof;
FIG. 5 is a rear elevational view thereof;
FIG. 6 is a right side elevational view thereof;
FIG. 7 is a top plan view thereof; and,
FIG. 8 is a bottom plan view thereof.
The short broken lines in FIGS. 1-8 are understood to represent stitching.

1 Claim, 4 Drawing Sheets



(56)

References Cited

U.S. PATENT DOCUMENTS

D566,436 S *	4/2008	Egger	D6/366	D657,593 S *	4/2012	Ping	D6/365
D566,437 S *	4/2008	Egger	D6/366	D657,595 S *	4/2012	Ping	D6/365
D572,050 S *	7/2008	Tamara	D6/366	D657,981 S *	4/2012	Ping	D6/365
D576,430 S *	9/2008	Hernandez	D6/366	D657,982 S *	4/2012	Ping	D6/365
D593,344 S *	6/2009	True	D6/366	D657,983 S *	4/2012	Ping	D6/365
D596,428 S *	7/2009	True	D6/366	D658,409 S *	5/2012	Ping	D6/365
D598,682 S *	8/2009	Egger	D6/366	D661,133 S *	6/2012	Ping	D6/365
D604,968 S *	12/2009	True	D6/366	D661,522 S *	6/2012	Ping	D6/365
D606,781 S *	12/2009	Hernandez	D6/366	D666,030 S *	8/2012	Kvello	D6/716
D614,894 S *	5/2010	Queally	D6/366	D666,031 S *	8/2012	Wold	D6/716
D614,895 S *	5/2010	Queally	D6/366	D706,048 S *	6/2014	Wang	D6/366
D626,768 S *	11/2010	Galati, Jr.	D6/716	9,033,411 B2 *	5/2015	Mezzera	A47C 7/44 297/11
D632,105 S *	2/2011	Aruga	D6/356	2013/0033077 A1 *	2/2013	Belnick	A47C 7/386 297/220

* cited by examiner

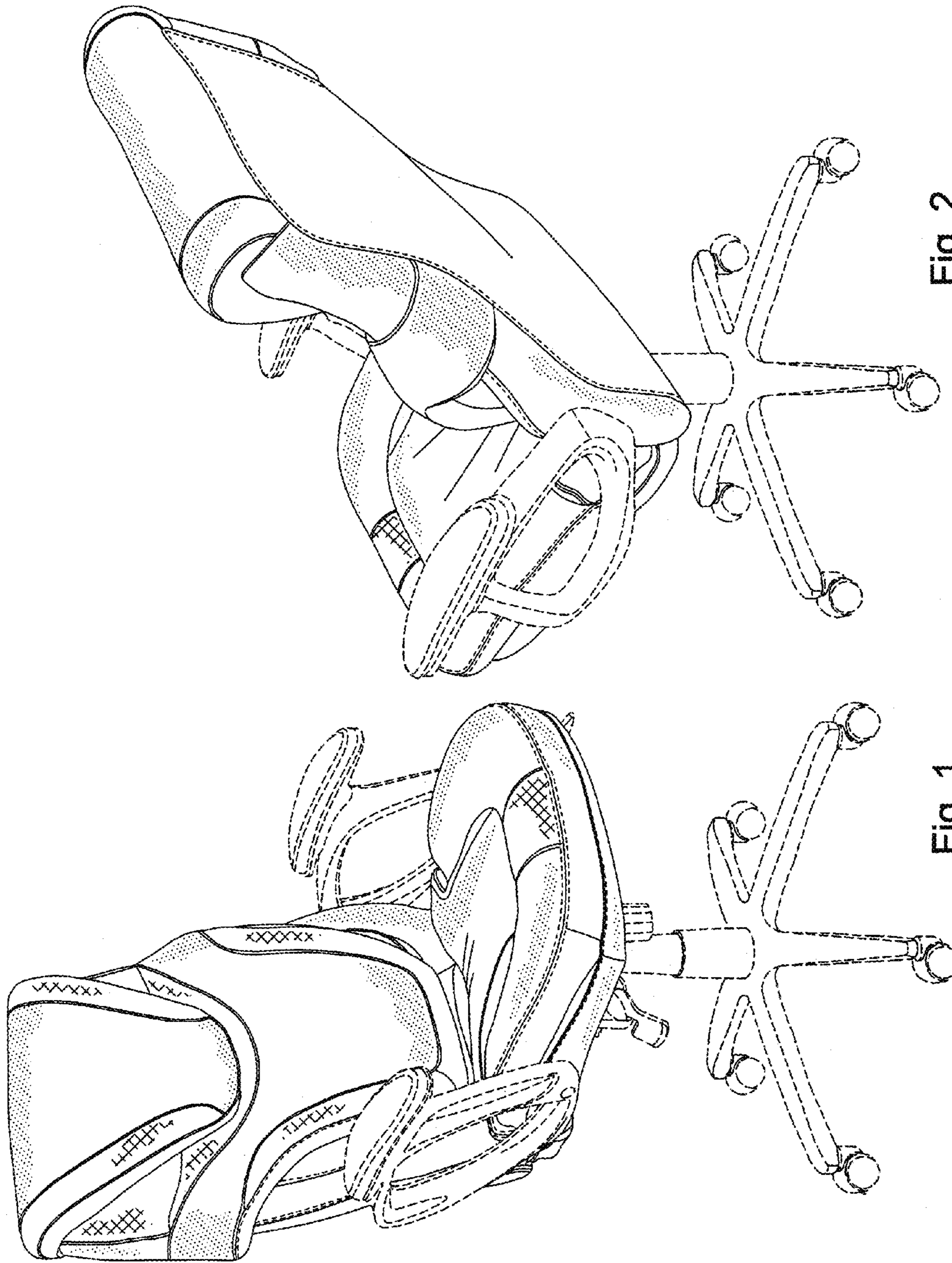


Fig. 2

Fig. 1

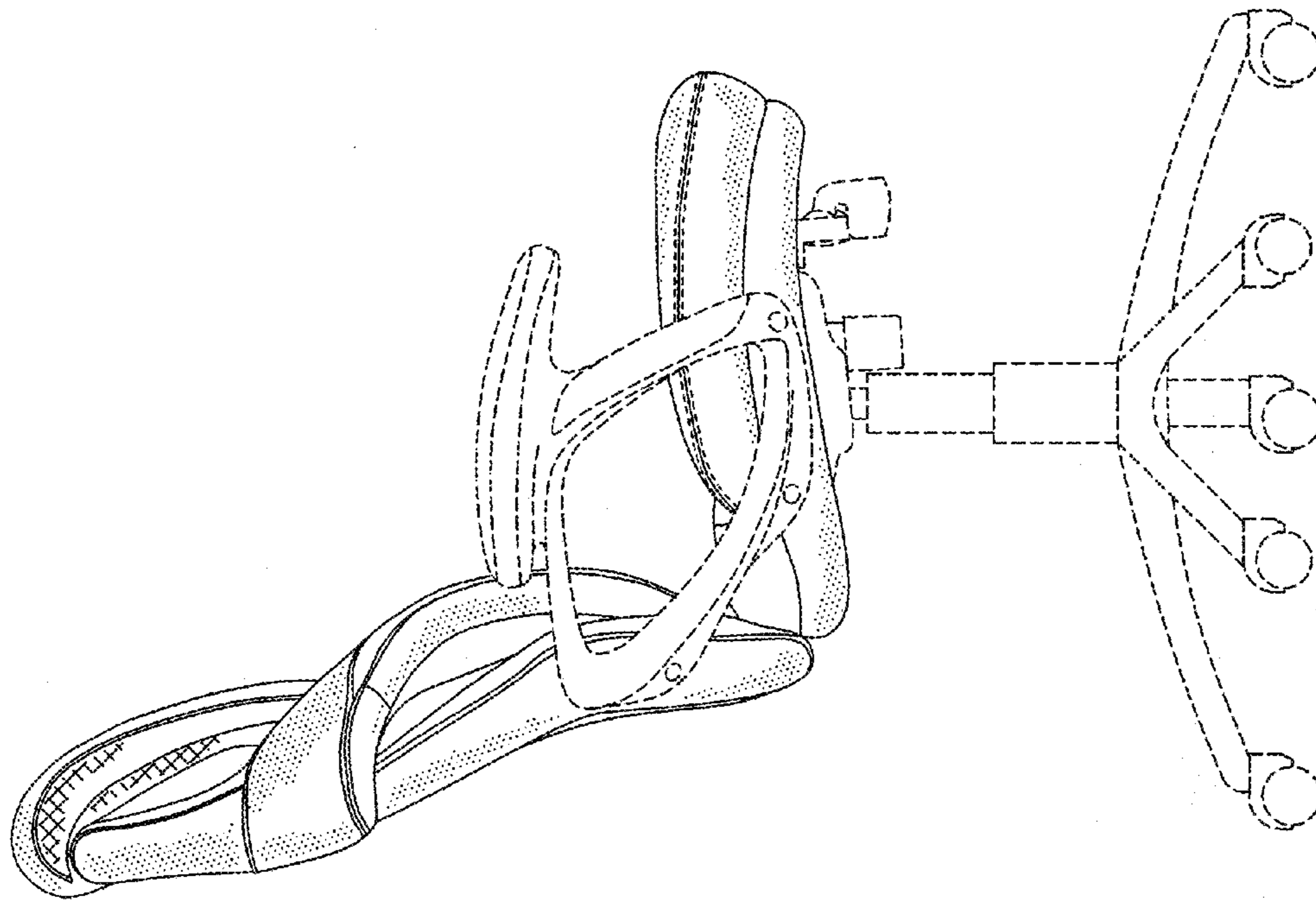


Fig. 4

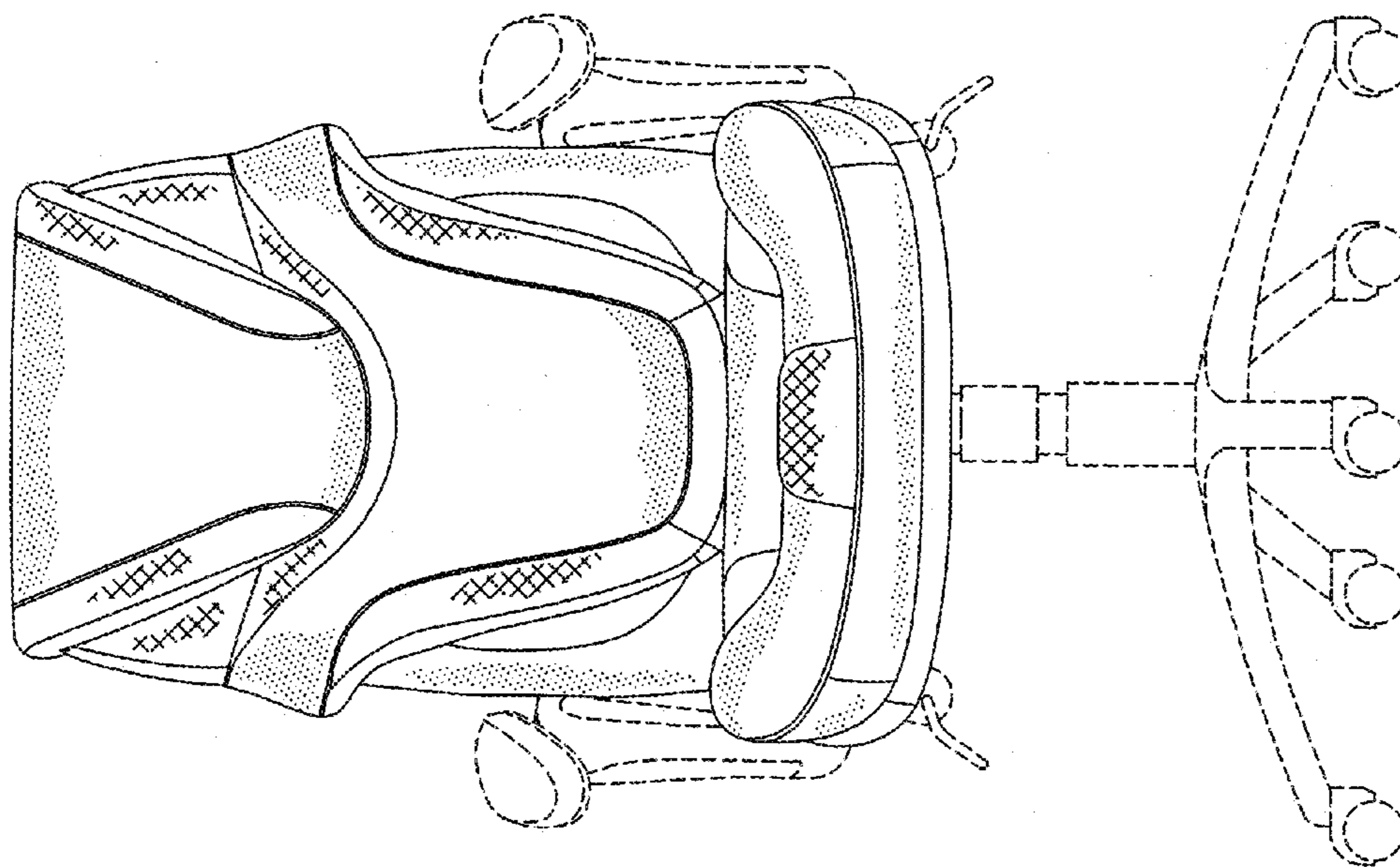


Fig. 3

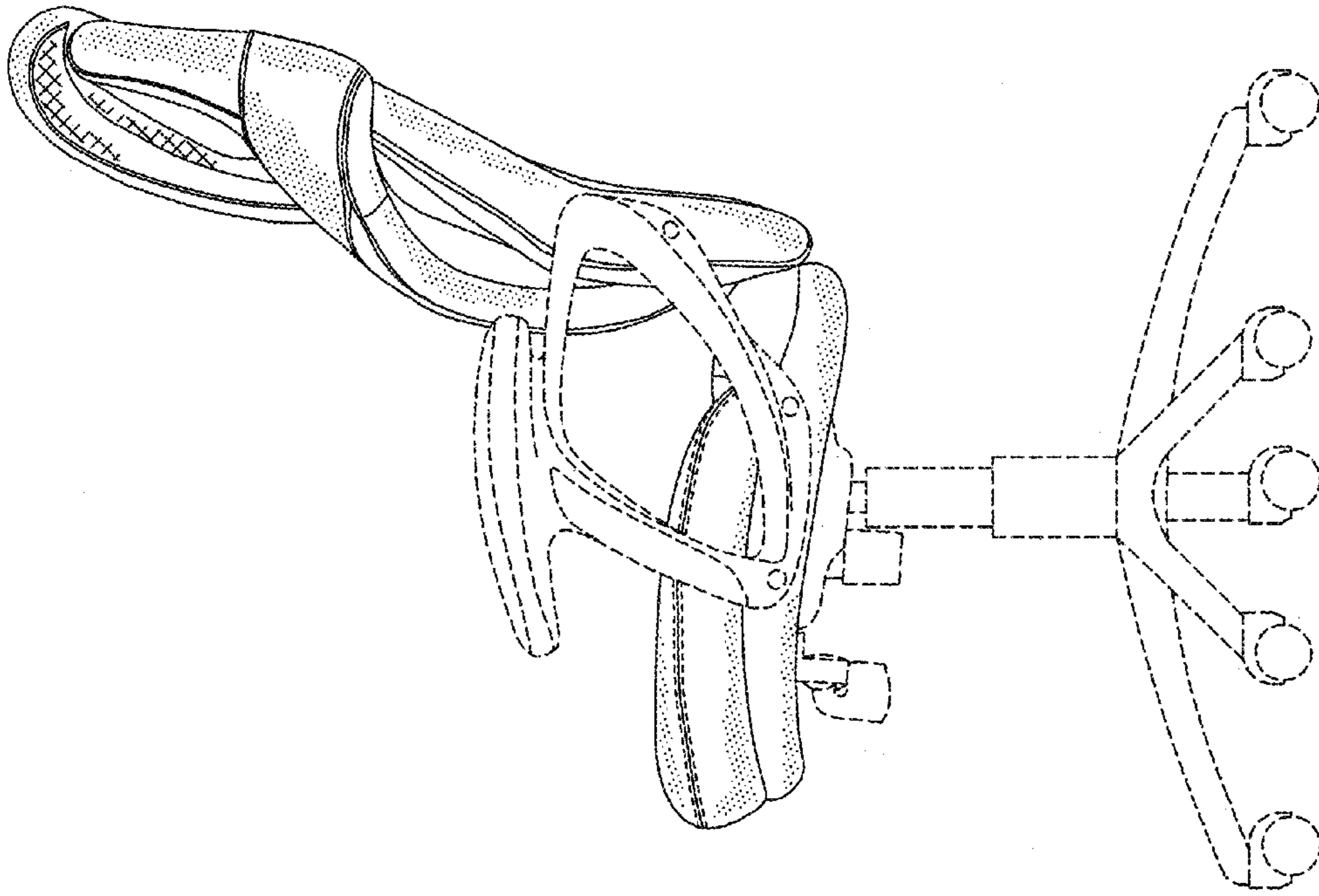


Fig. 6

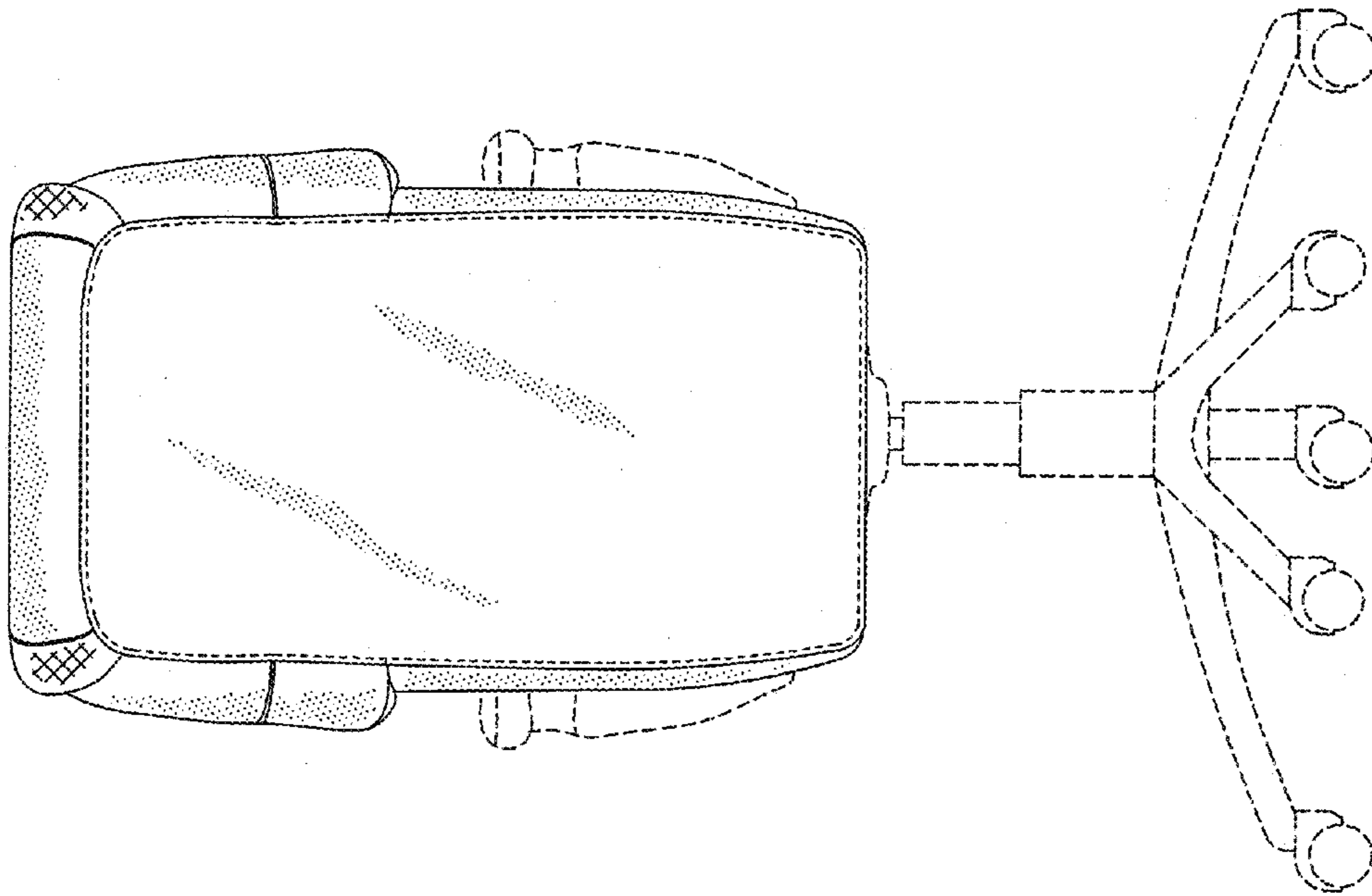


Fig. 5

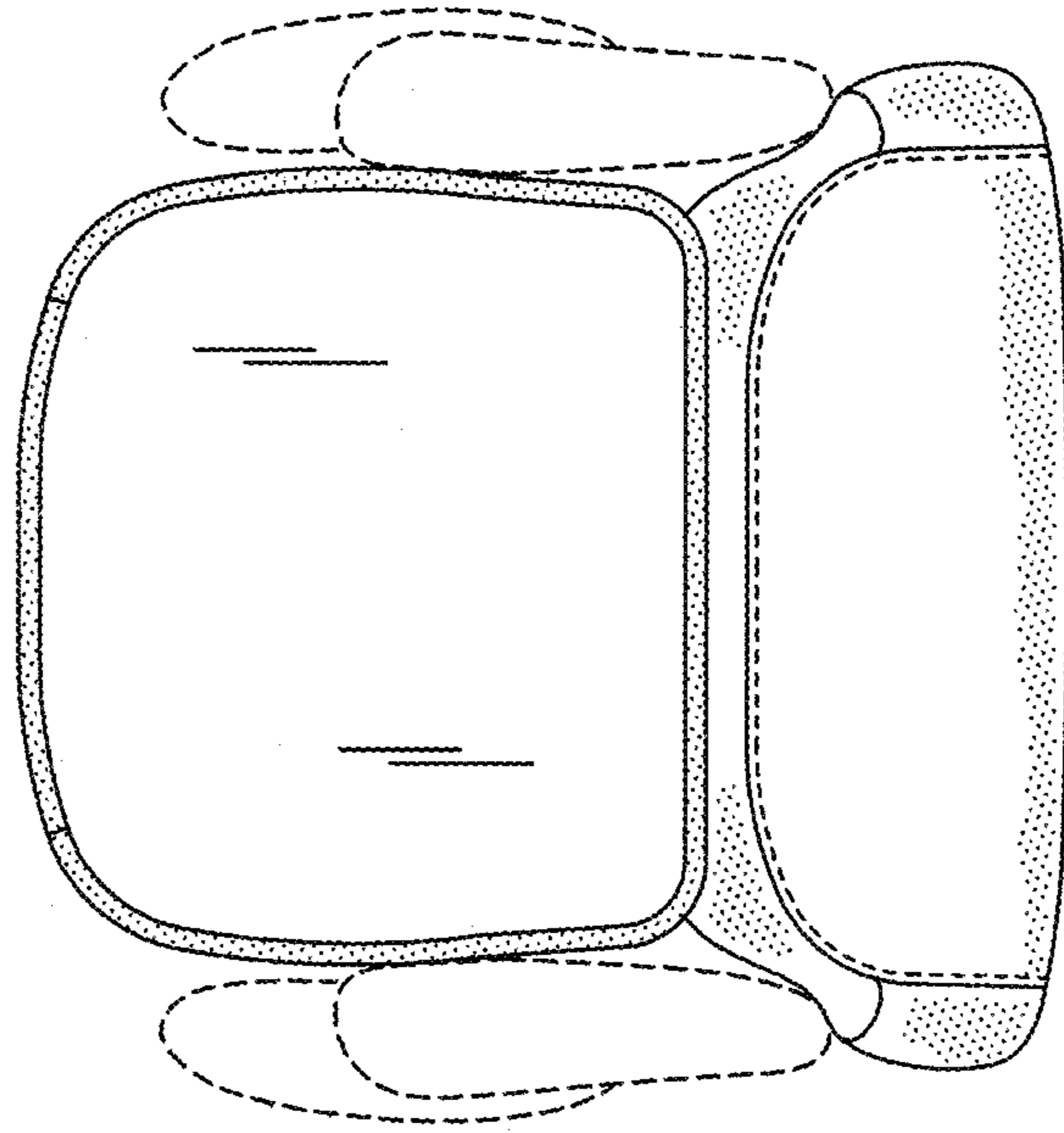


Fig. 8

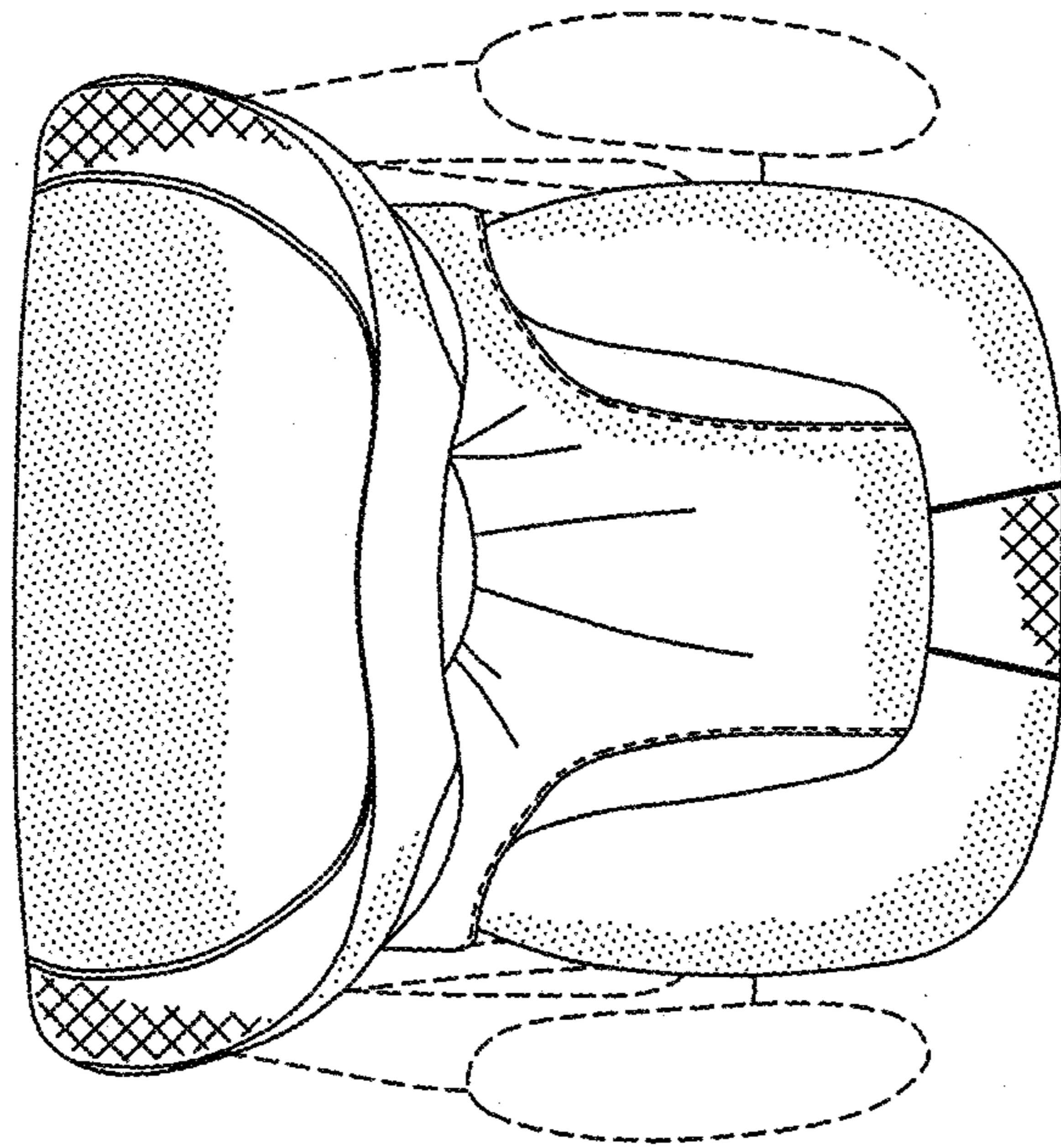


Fig. 7