



US00D769632S

(12) **United States Design Patent**  
**Bullejos**

(10) **Patent No.:** **US D769,632 S**  
(45) **Date of Patent:** **\*\* Oct. 25, 2016**

- (54) **CHAIR**
- (71) Applicant: **Fernando Muñoz Bullejos**, La Zubia  
Granada (ES)
- (72) Inventor: **Fernando Muñoz Bullejos**, La Zubia  
Granada (ES)
- (\*\*) Term: **15 Years**
- (21) Appl. No.: **35/500,284**
- (22) Filed: **May 27, 2015**
- (80) **Hague Agreement Data**  
Int. Filing Date: **May 27, 2015**  
Int. Reg. No.: **DM/086648**  
Int. Reg. Date: **May 27, 2015**  
Int. Reg. Pub. Date: **Nov. 27, 2015**
- (51) **LOC (10) Cl.** ..... **06-01**
- (52) **U.S. Cl.**  
USPC ..... **D6/358**; D6/376
- (58) **Field of Classification Search**  
USPC ..... D6/329, 334, 355, 358, 376, 716.2  
CPC ..... A47C 7/02; A47C 3/18; A47C 7/54;  
A47C 3/00; A47C 1/00; A47C 4/42  
See application file for complete search history.

- (56) **References Cited**  
U.S. PATENT DOCUMENTS  
D143,982 S \* 2/1946 Michelson ..... 297/446.2  
D161,177 S \* 12/1950 Harrison ..... 297/451.1  
D224,633 S \* 8/1972 Kohl ..... D6/358  
D261,580 S \* 11/1981 Aulenti ..... D6/334  
D288,151 S \* 2/1987 Lindstrom ..... D6/358  
D293,169 S \* 12/1987 Salvato ..... D6/334  
D333,750 S \* 3/1993 Hess ..... D6/372  
D360,771 S \* 8/1995 Hess ..... D6/376  
D521,754 S \* 5/2006 Barlow, III ..... D6/358  
D537,260 S \* 2/2007 Osburn ..... D6/334

- D540,558 S \* 4/2007 Neil ..... D6/376
- 7,621,600 B2 \* 11/2009 Buchbinder ..... A47C 5/046  
297/446.2
- D610,816 S \* 3/2010 Keichel ..... D6/334
- D637,838 S \* 5/2011 Piretti ..... D6/379
- D637,839 S \* 5/2011 Piretti ..... D6/364
- D655,934 S \* 3/2012 Nigro ..... D6/376
- 8,292,368 B1 \* 10/2012 Yarbrough ..... A47C 1/029  
297/326
- D718,068 S \* 11/2014 Ye ..... D6/376
- D740,044 S \* 10/2015 Brown ..... D6/376
- D751,313 S \* 3/2016 Palmer ..... D6/371
- 9,295,332 B2 \* 3/2016 Barile ..... A47C 7/443
- 2009/0051207 A1 \* 2/2009 Behrens ..... A47C 3/00  
297/452.56
- 2011/0285191 A1 \* 11/2011 van Hekken ..... A47C 3/04  
297/299
- 2015/0015051 A1 \* 1/2015 Huang ..... A47C 3/04  
297/445.1
- 2015/0137566 A1 \* 5/2015 Wagner ..... A47C 7/021  
297/135
- 2015/0164231 A1 \* 6/2015 Piretti ..... A47C 7/44  
297/354.1

**OTHER PUBLICATIONS**

Latinae, Iconic, The ñ Chair, dated 2015, [online], [site visited Mar. 25, 2016], Available on Internet, URL: <[http://latinae.com/index.php?id\\_lang=4](http://latinae.com/index.php?id_lang=4)>.\*

(Continued)

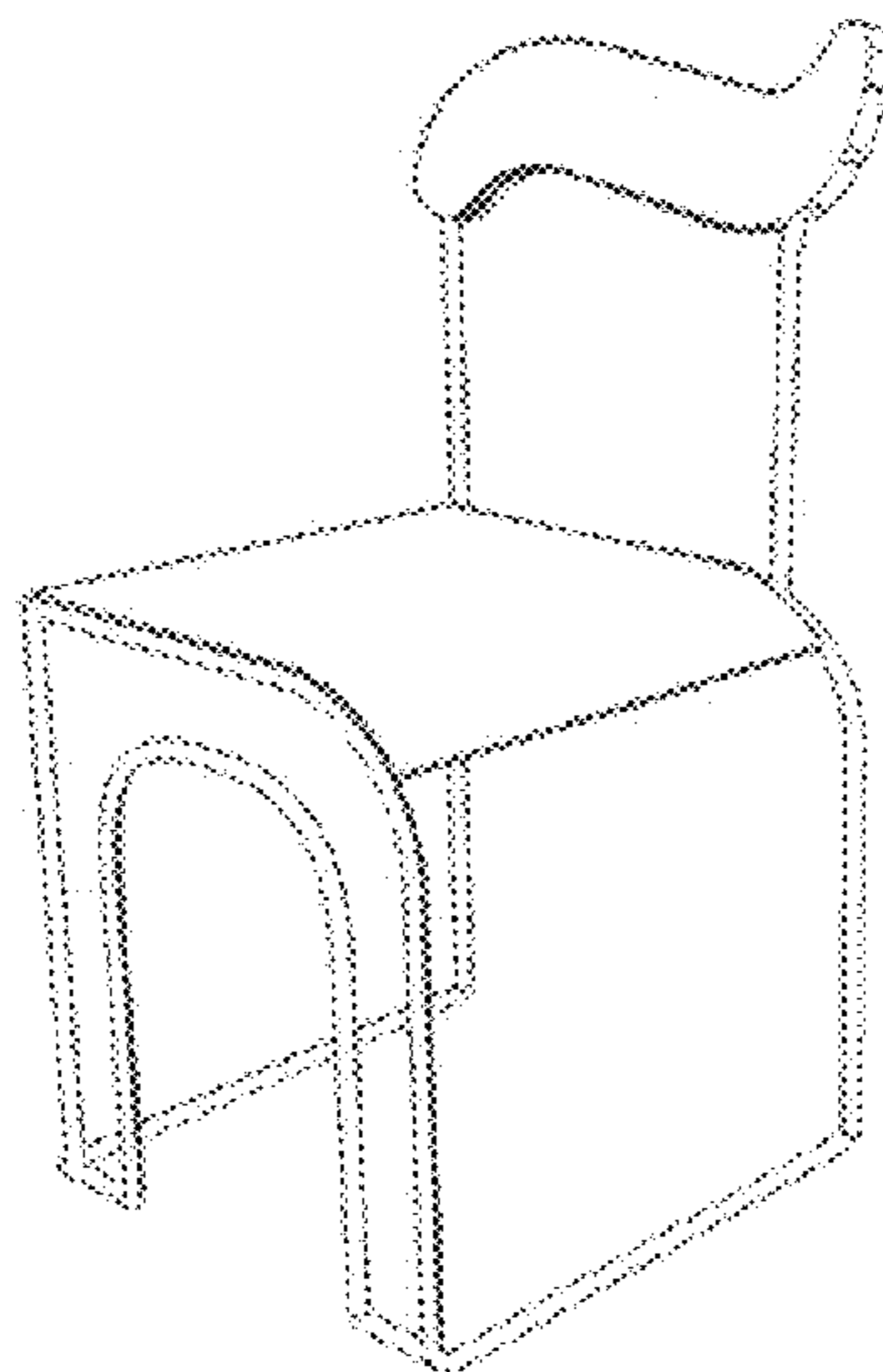
*Primary Examiner* — Jeffrey D Asch  
*Assistant Examiner* — Marissa J Cash

- (57) **CLAIM**  
The ornamental design for a chair, as shown and described.

**DESCRIPTION**

- 2. Chair**
- 2.1: Perspective**
- 2.2: Perspective**
- This design refers to a chair based on the Spanish letter ñ.

**1 Claim, 2 Drawing Sheets**



(56)

**References Cited**

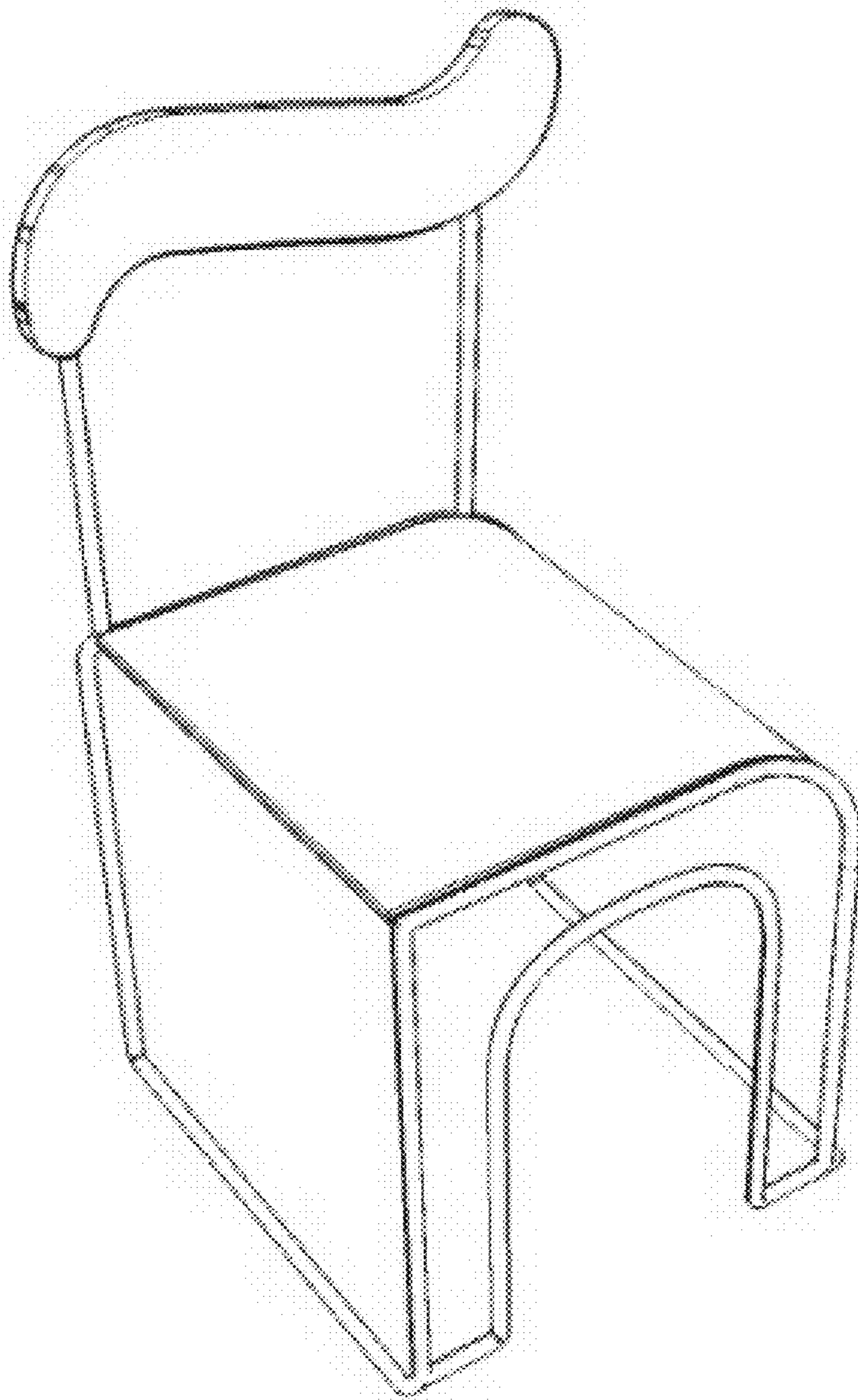
OTHER PUBLICATIONS

Chair with and without arms, Epoca EP1B, Luxy Spa, IDF, dated 2016, [online], [site visited Mar. 29, 2016], Available on Internet, URL: <<http://www.idfdesign.com/guest-office-chairs-2/epoca-ep1b.htm>>.\*

Chair with and without arms 2 stacking, Olivia Stacking café chairs, La Porta, dated 2016. [online], [site visited Mar. 29, 2016], Available on Internet, <[http://www.laporta.co.uk/products/selected\\_cafe\\_chairs\\_dining\\_chairs.html#olivia](http://www.laporta.co.uk/products/selected_cafe_chairs_dining_chairs.html#olivia)>.\*

\* cited by examiner

# 2.1



# 2.2

