



US00D769630S

(12) **United States Design Patent** (10) **Patent No.:** **US D769,630 S**
Daley et al. (45) **Date of Patent:** **** Oct. 25, 2016**

(54) **HIGH CHAIR**

(71) Applicant: **Thorley Industries LLC**, Pittsburgh, PA (US)
(72) Inventors: **Robert D. Daley**, Pittsburgh, PA (US); **Elijah Wiegmann**, Natrona Heights, PA (US); **Jordan Zito**, Apollo, PA (US); **Robert Stutler**, Pittsburgh, PA (US)
(73) Assignee: **Thorley Industries LLC**, Pittsburgh, PA (US)
(**) Term: **15 Years**
(21) Appl. No.: **29/527,418**
(22) Filed: **May 19, 2015**

Related U.S. Application Data

(63) Continuation of application No. 29/500,955, filed on Aug. 29, 2014, now Pat. No. Des. 730,070.
(51) **LOC (10) Cl.** **06-01**
(52) **U.S. Cl.**
USPC **D6/339**
(58) **Field of Classification Search**
USPC D6/334-336, 338-339, 491, 333, 716, D6/716.1-716.7; D12/129; D21/412, 419; 280/30-31; 5/94, 98.1, 99.1, 101, 105, 5/655; 297/183.1-183.4, 184.13, 184.15, 297/184.17, 250.1, 256.1, 255, 256.15, 297/256.16, 174 R, 174 CS, 170-173, 136, 297/148, 27, 61, 68; 4/572.1
CPC B60N 2/2845; B60N 2/2821; B60N 2/02; B60N 2/10; B60N 2/14; B60N 2/16; B60N 2/22; B60N 2/26; B60N 2002/0212; B60N 2002/0216; B60N 2002/022; A47D 13/02; A47D 13/08; A47D 13/083; A47D 13/10; A47D 1/00; A47D 1/002; A47D 1/004; A47D 1/008; A47D 1/04; A47C 15/004
See application file for complete search history.

(56) **References Cited**

U.S. PATENT DOCUMENTS

D432,798 S	10/2000	Boney	
D603,175 S *	11/2009	Jacobs	D6/339
D619,818 S	7/2010	Bergkvist	
D641,180 S	7/2011	Kennedy et al.	
D650,598 S	12/2011	Kennedy et al.	
D663,539 S *	7/2012	Chuah	D6/339
D683,143 S	5/2013	Gold et al.	
D691,819 S	10/2013	Kittilsen et al.	
D699,955 S	2/2014	Chen	
D704,460 S	5/2014	Maurer et al.	
D730,070 S *	5/2015	Daley	D6/339
D742,656 S *	11/2015	Ho	D6/339

* cited by examiner

Primary Examiner — Abraham Bahta
(74) *Attorney, Agent, or Firm* — The Webb Law Firm

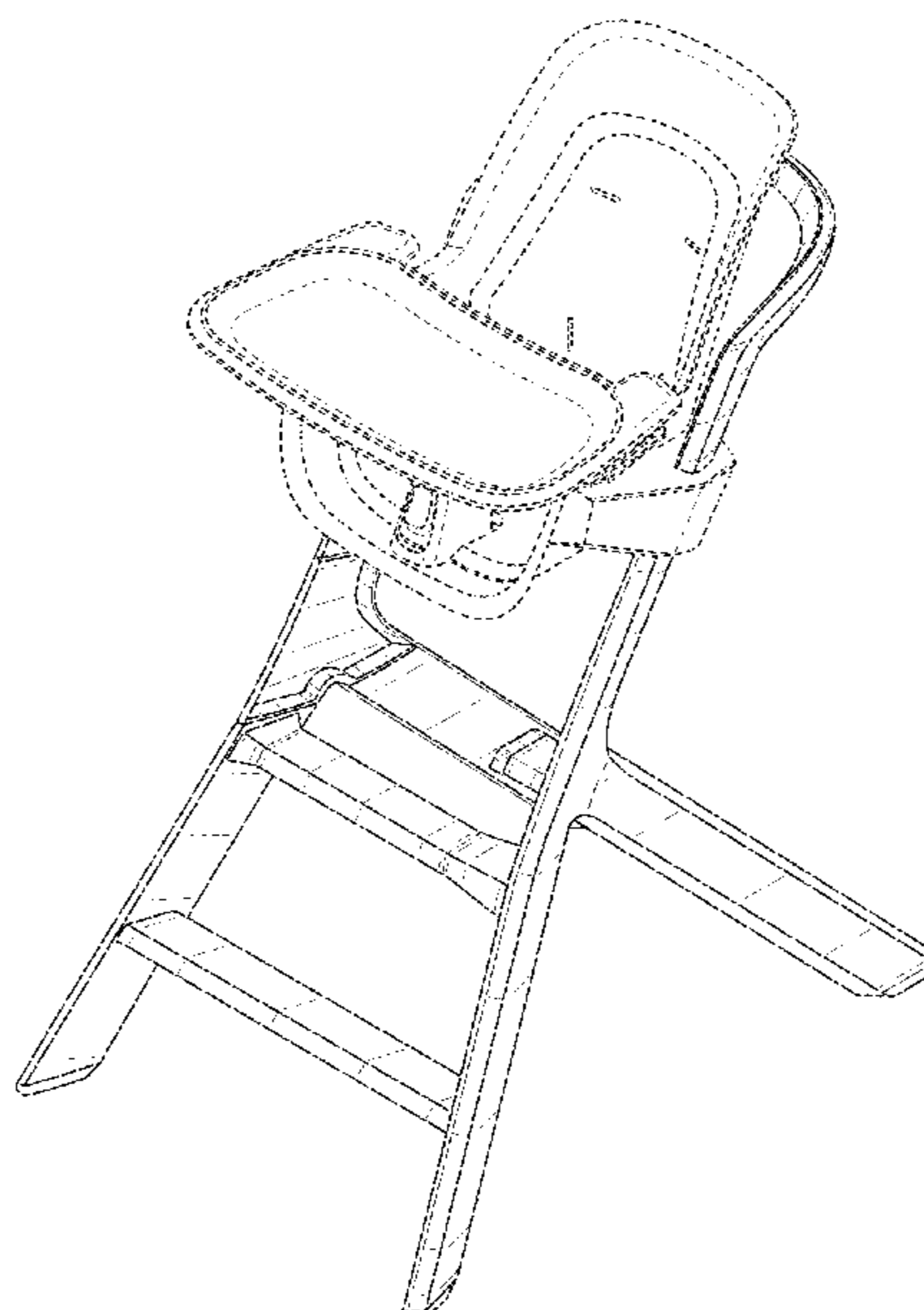
(57) **CLAIM**

The ornamental design for a high chair, as shown and described.

DESCRIPTION

FIG. 1 is a front perspective view of a high chair in accordance with the invention;
FIG. 2 is a front side plan view thereof;
FIG. 3 is a rear side plan view thereof;
FIG. 4 is a right side plan view thereof;
FIG. 5 is a left side plan view thereof;
FIG. 6 is a top plan view thereof; and,
FIG. 7 is a bottom plan view thereof.
The broken lines illustrating portions of the high chair form no part of the claimed design.

1 Claim, 7 Drawing Sheets



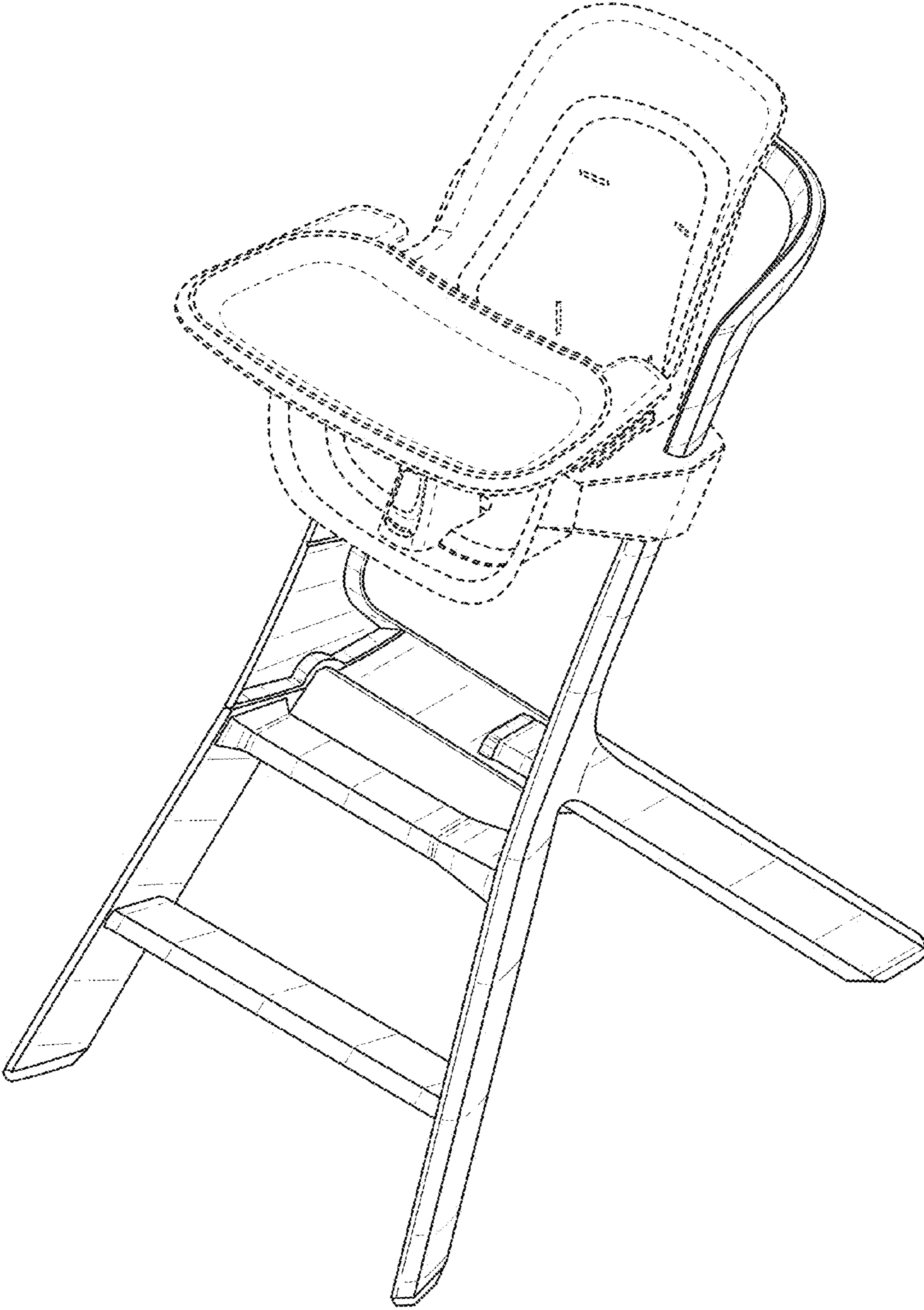


FIG. 1

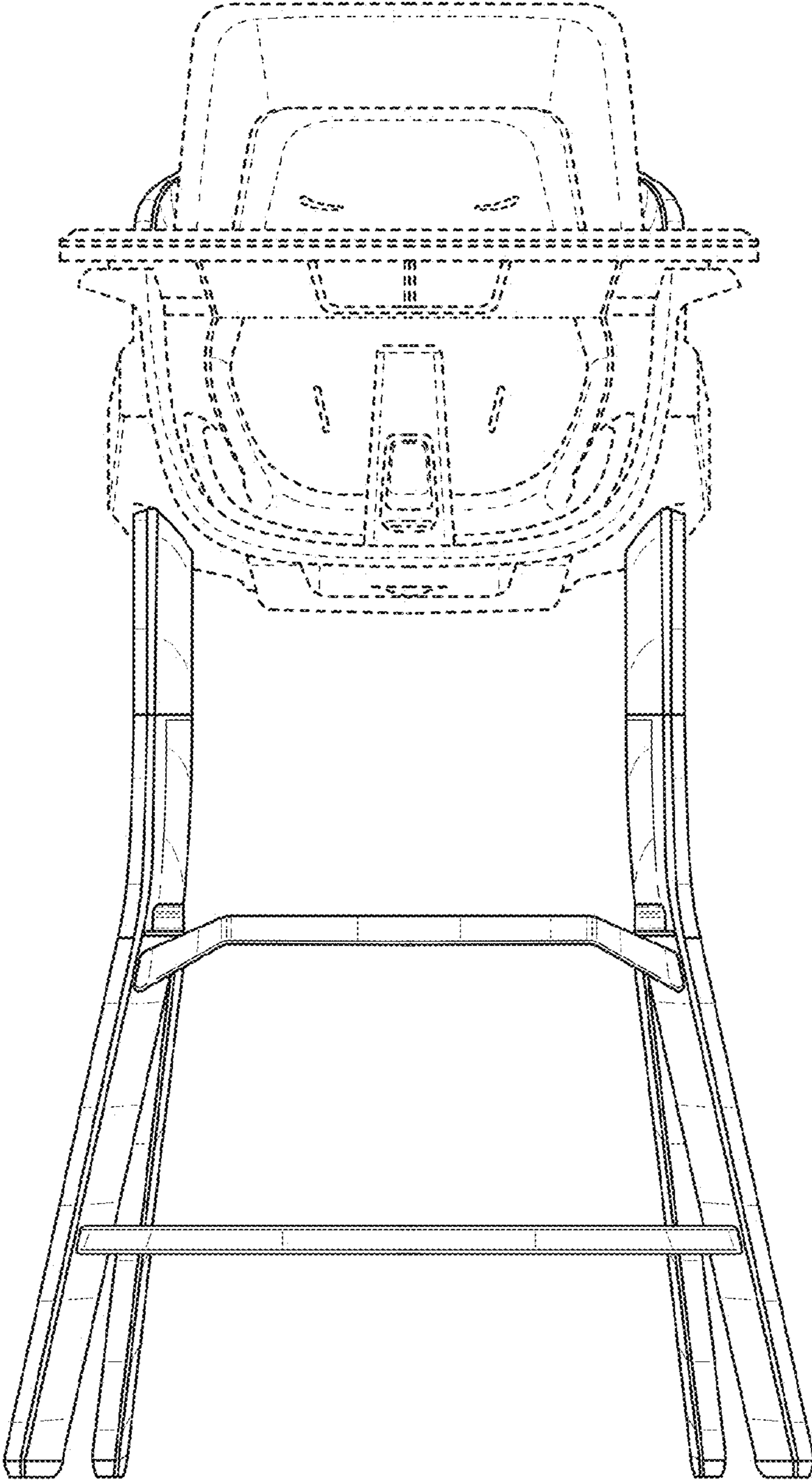


FIG. 2

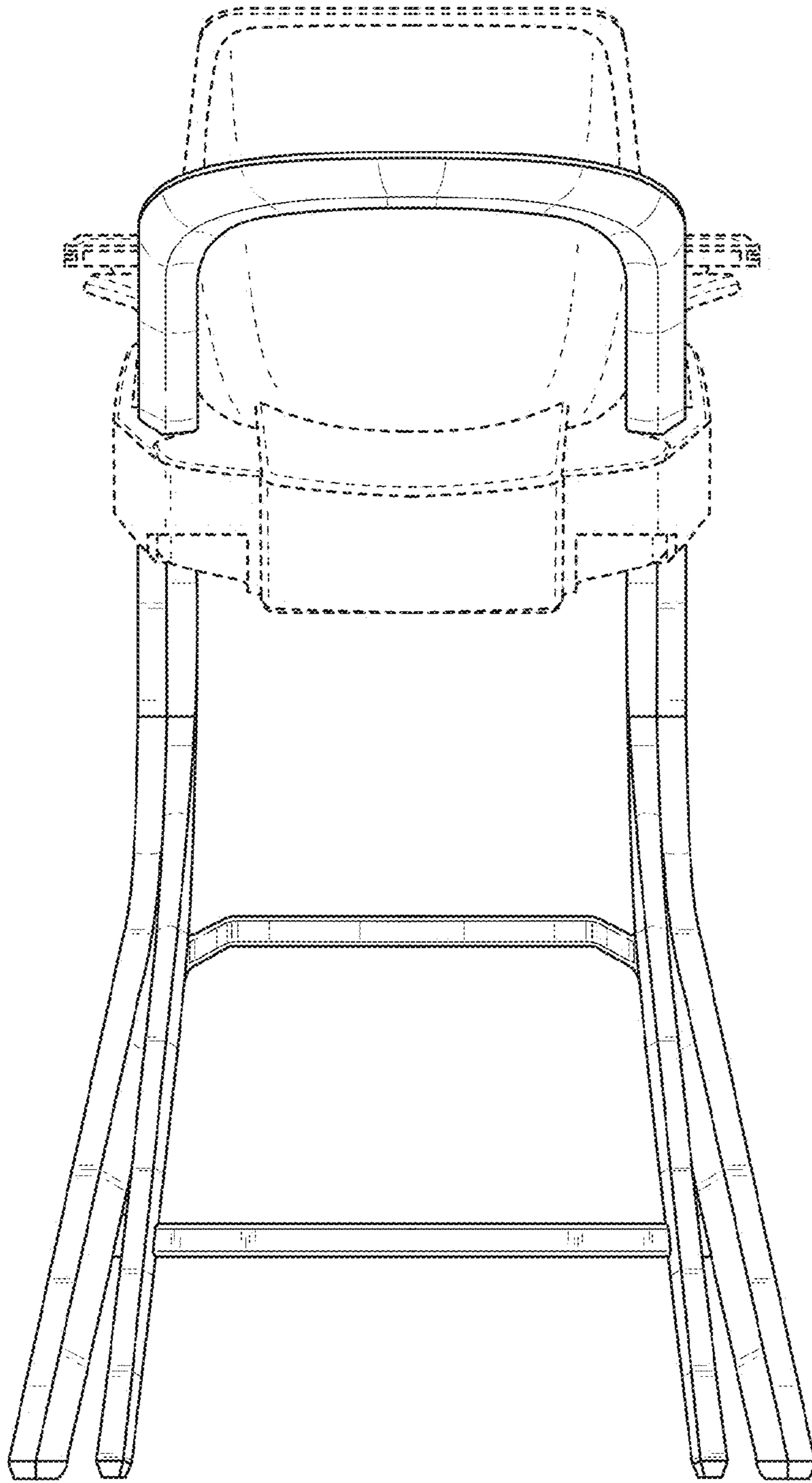


FIG. 3

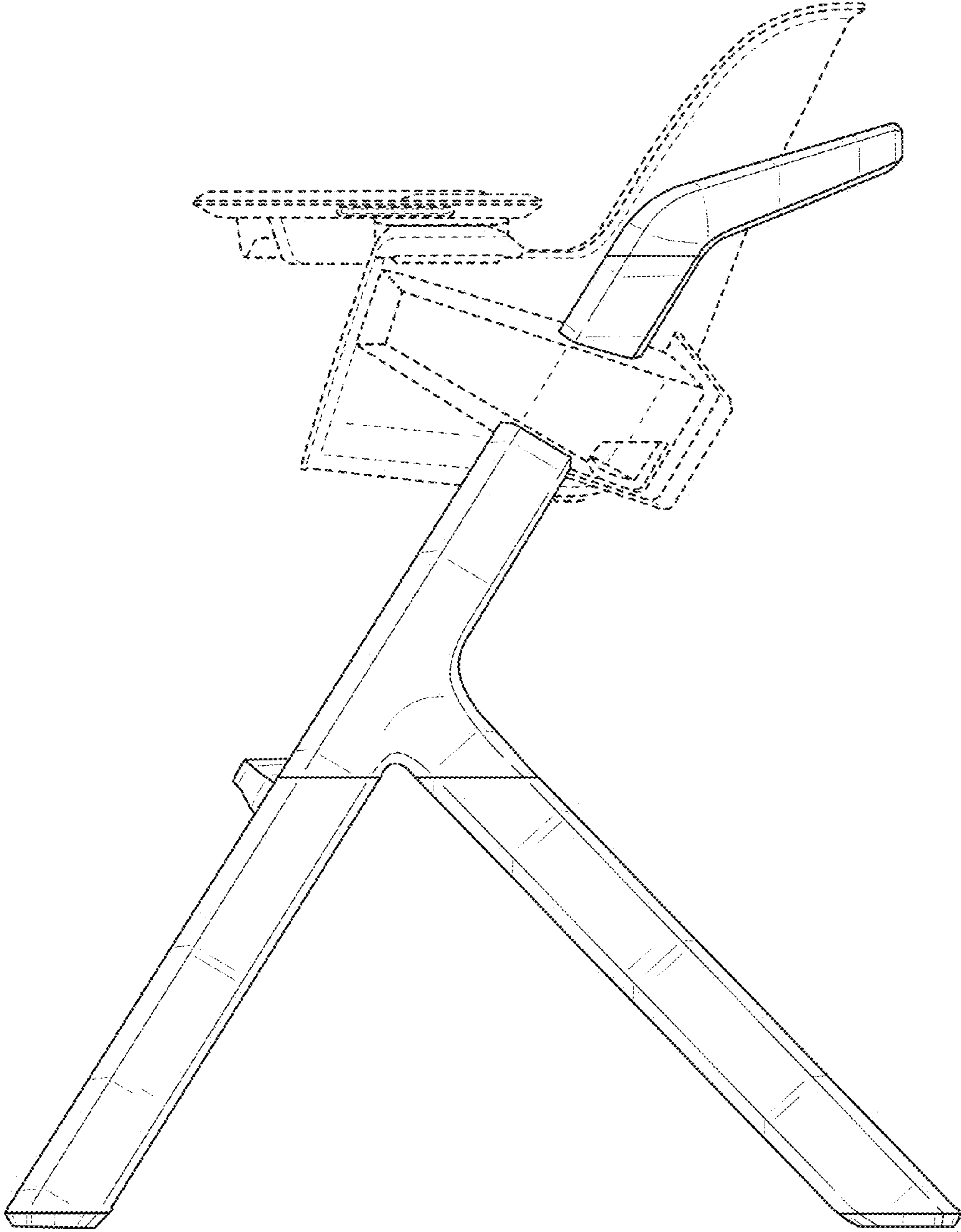


FIG. 4

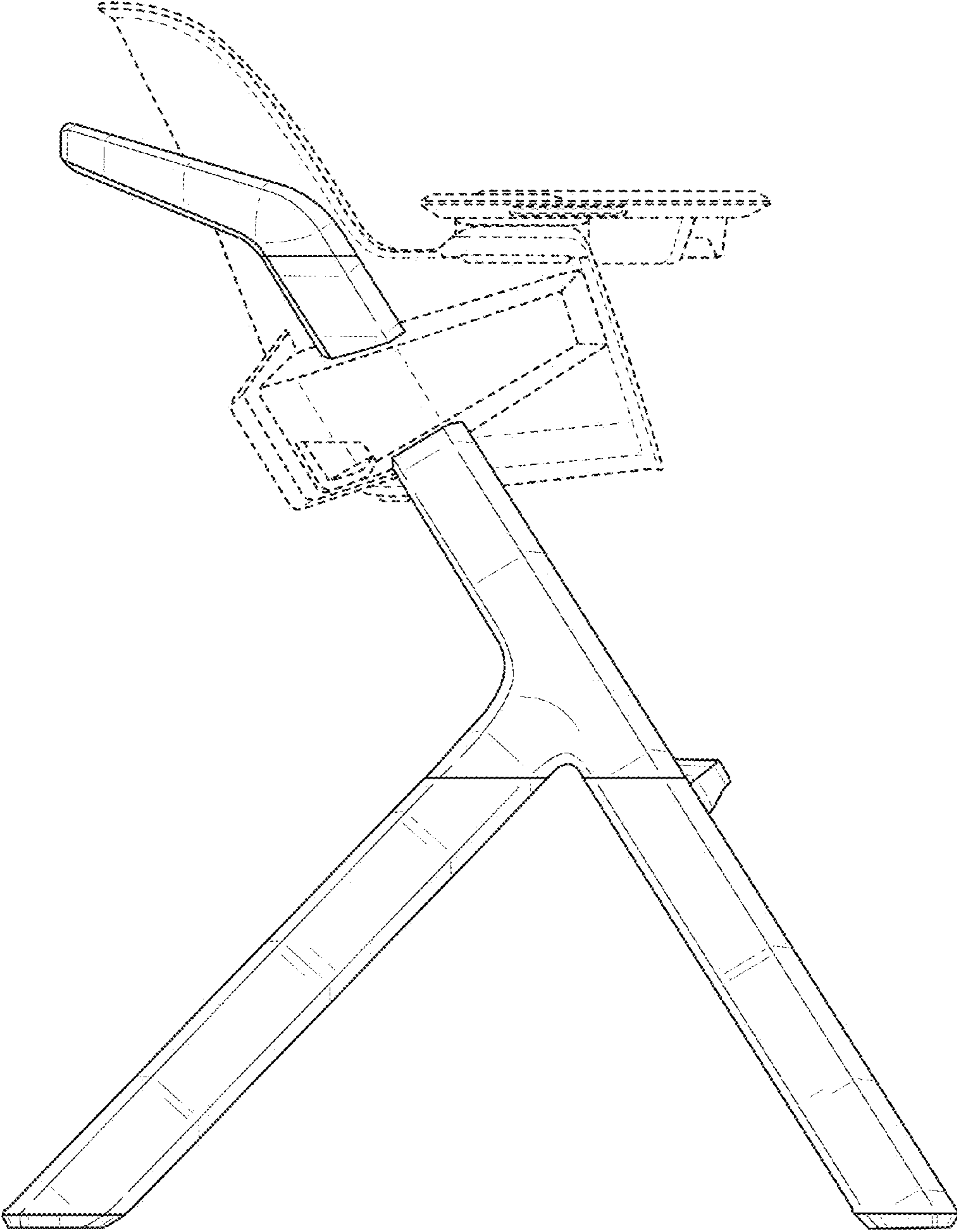


FIG. 5

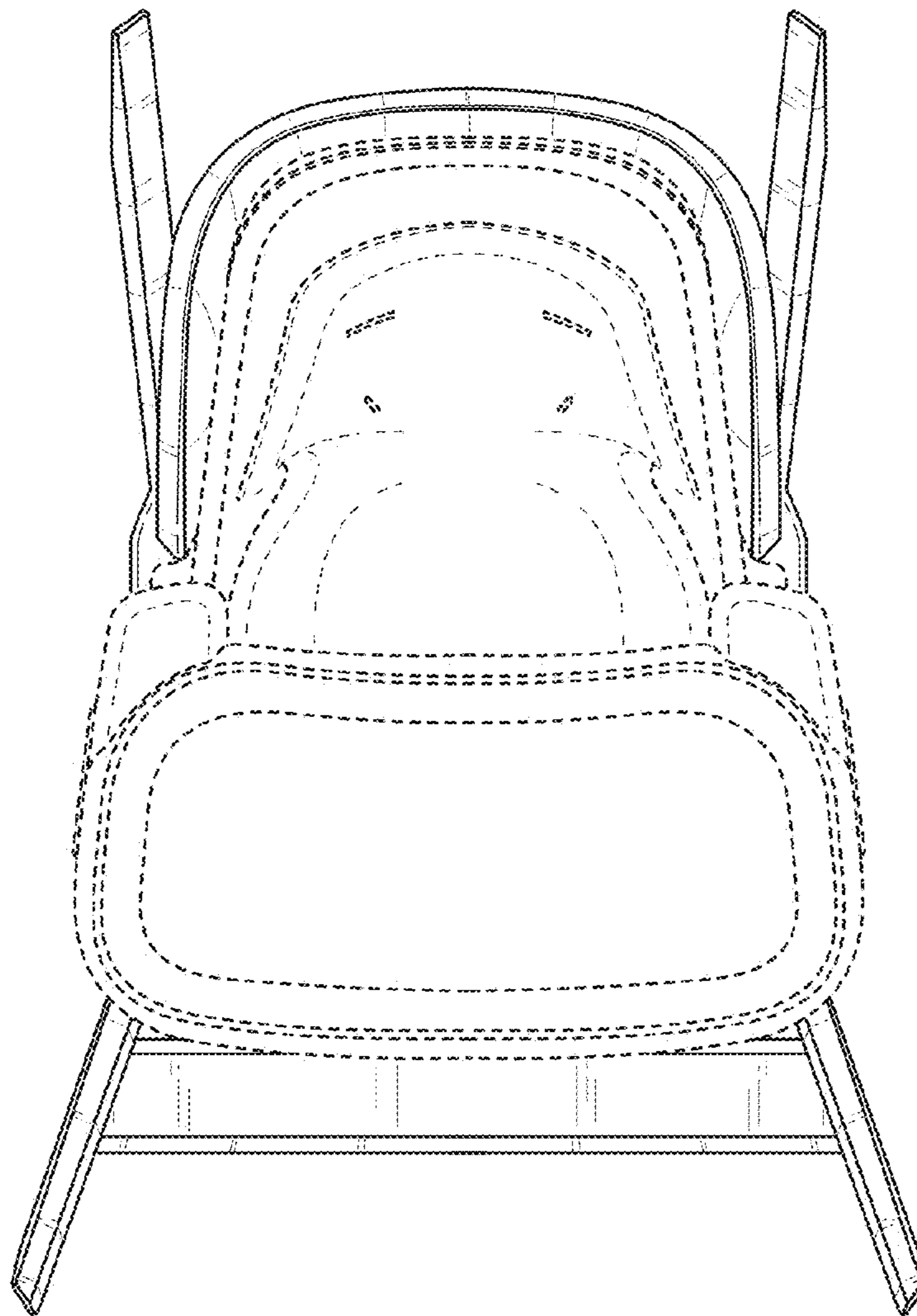


FIG. 6

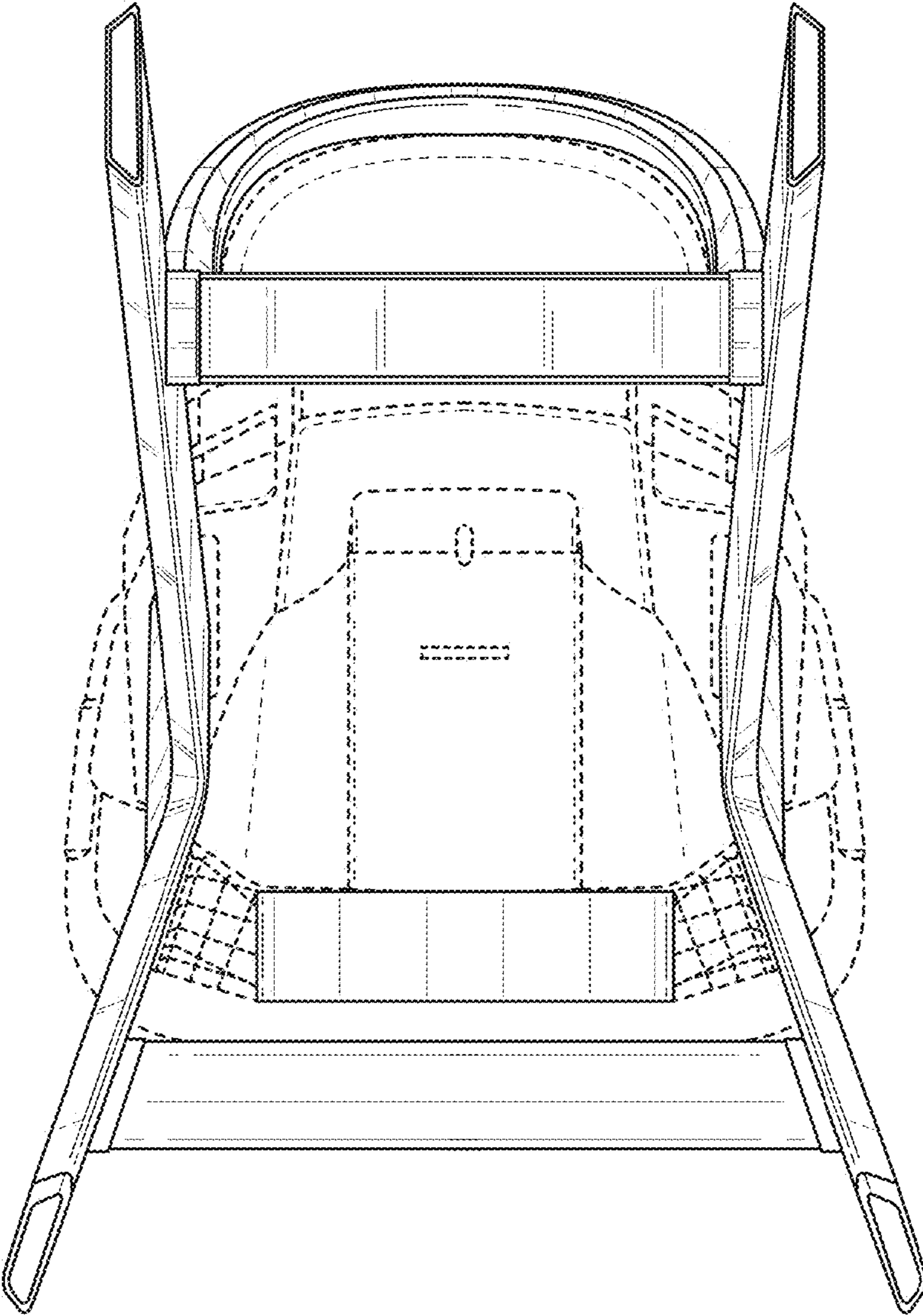


FIG. 7