



US00D769627S

(12) **United States Design Patent** (10) **Patent No.:** **US D769,627 S**
Hanson (45) **Date of Patent:** **** Oct. 25, 2016**

(54) **COMBINED MICROPHONE-LIKE HAIRBRUSH AND STAND**

(71) Applicant: **Kathy Lynn Hanson**, Barberton, OH (US)

(72) Inventor: **Kathy Lynn Hanson**, Barberton, OH (US)

(**) Term: **14 Years**

(21) Appl. No.: **29/442,910**

(22) Filed: **Jun. 12, 2013**

(51) **LOC (10) Cl.** **04-02**

(52) **U.S. Cl.**
USPC **D4/116**

(58) **Field of Classification Search**

USPC D4/116, 121, 133, 134, 136, 138; 15/159.1, 160, 186-188; 206/361, 206/362.2, 362.3; 211/65, 66; 248/110, 248/111, 113, 688
CPC A46B 1/00; A46B 3/00; A46B 3/005; A46B 3/04; A46B 3/22; A46B 9/00; A46B 9/005; A46B 9/02; A46B 9/023; A46B 9/028; A46B 2200/00; A46B 2200/10; A46B 2200/102; A46B 2200/104; A46B 2200/405; A46B 17/02; A45D 44/18; A47K 1/09; A47L 13/512

See application file for complete search history.

(56) **References Cited**

U.S. PATENT DOCUMENTS

1,197,511 A * 9/1916 Loewenherz 15/160
D359,624 S * 6/1995 Dols D4/136

(Continued)

FOREIGN PATENT DOCUMENTS

JP 2001299608 A * 10/2001
KR 102930 S * 6/1990

(Continued)

OTHER PUBLICATIONS

EM 2229286-0001, Registered Design file information, (Blue Sky Designs Ltd) May 3, 2013, [online], [retrieved on May 12, 2015] Retrieved from the Community Design Database of the Office for Harmonization in the Internal Market using the Internet: <URL: http://oami.europa.eu>.*

(Continued)

Primary Examiner — Rosemary K Tarcza

Assistant Examiner — Christy Nemeth

(74) *Attorney, Agent, or Firm* — Fay Sharpe LLP

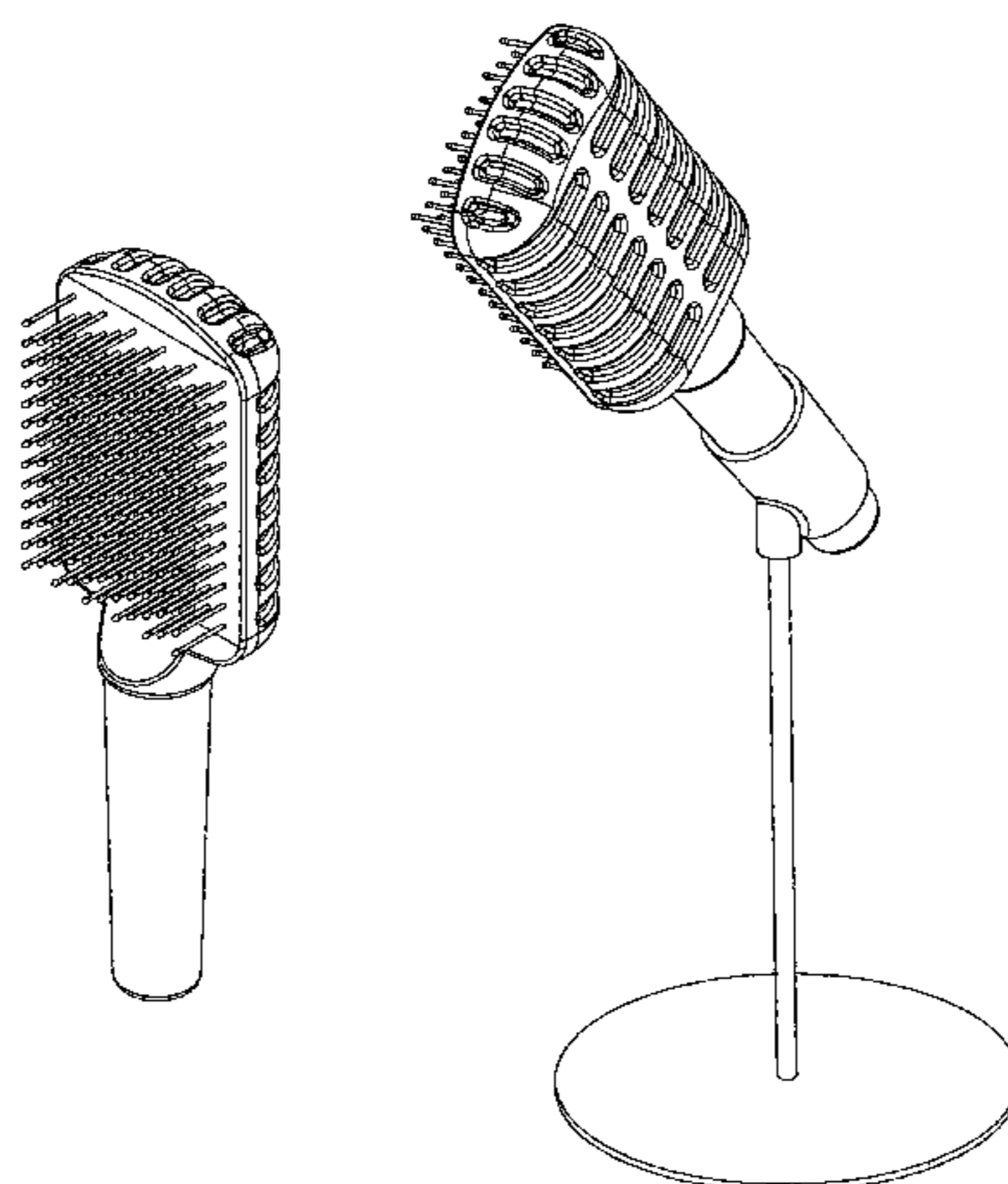
(57) **CLAIM**

The ornamental design for a combined microphone-like hairbrush and stand, as shown and described.

DESCRIPTION

FIG. 1 is a front elevation view of a combined microphone-like hairbrush and stand with the hairbrush being shown separately for clarity of illustration only; FIG. 2 is a right side elevation view of the hairbrush shown in FIG. 1; FIG. 3 is a rear elevation view of the hairbrush shown in FIG. 1; FIG. 4 is a top plan view of the hairbrush shown in FIG. 1; FIG. 5 is a bottom plan view of the hairbrush shown in FIG. 1; FIG. 6 is an isometric view of the hairbrush shown in FIG. 1; FIG. 7 is a front elevation view of the stand portion shown separately for clarity of illustration only; FIG. 8 is a right side elevation view of the stand shown in FIG. 7; FIG. 9 is a top plan view of the stand shown in FIG. 7; FIG. 10 is an isometric view of the stand shown in FIG. 7; FIG. 11 is a front elevation view of the combined microphone-like hairbrush and stand in assembled condition; FIG. 12 is a right side elevation view of the design as shown in FIG. 11; FIG. 13 is a rear elevation view of the design as shown in FIG. 11; FIG. 14 is a top plan view of the design as shown in FIG. 11; and, FIG. 15 is an isometric view of the design as shown in FIG. 11.

1 Claim, 15 Drawing Sheets



(56)

References Cited

OTHER PUBLICATIONS

U.S. PATENT DOCUMENTS

D508,777 S * 8/2005 Kampel et al. D4/133
D513,883 S * 1/2006 Kampel et al. D4/133
7,861,360 B2 * 1/2011 Malka 15/169

FOREIGN PATENT DOCUMENTS

KR 211961 S * 4/1998
KR 30-02522715 S * 2/2000

Colourbox Stock Photo Image #3763918, Mar. 26, 2012 [online],
Vintage microphone against the background, 2 pages, [retrieved on
May 15, 2015] Retrieved from the Internet: <URL: <https://www.colourbox.com>.*

* cited by examiner

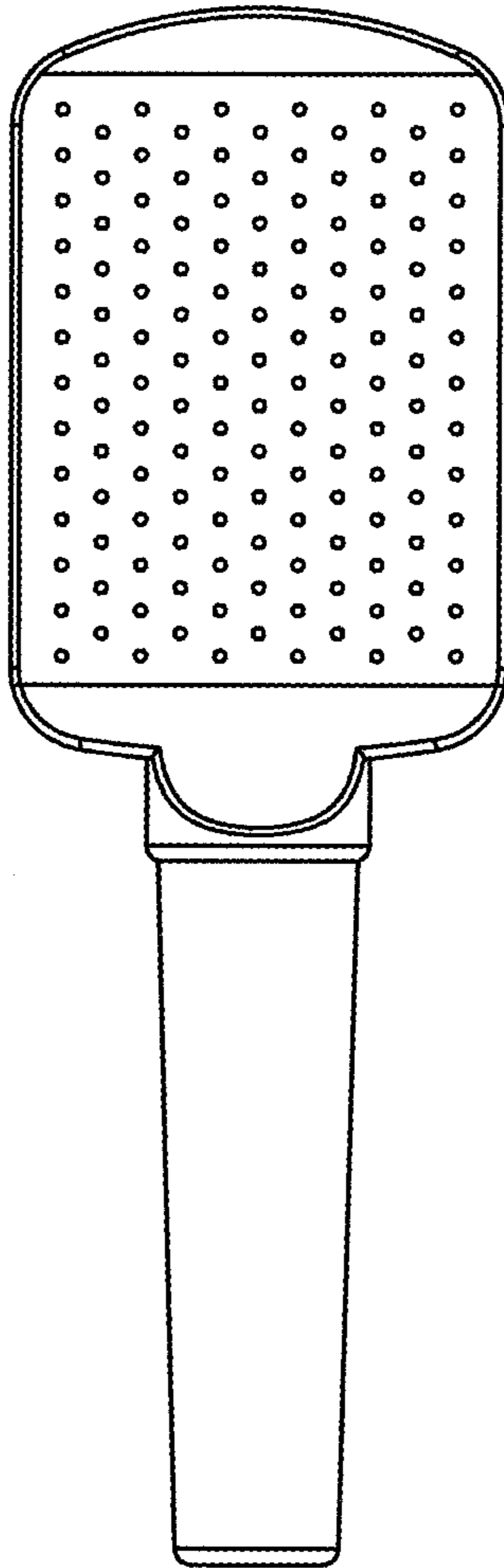


Fig. 1

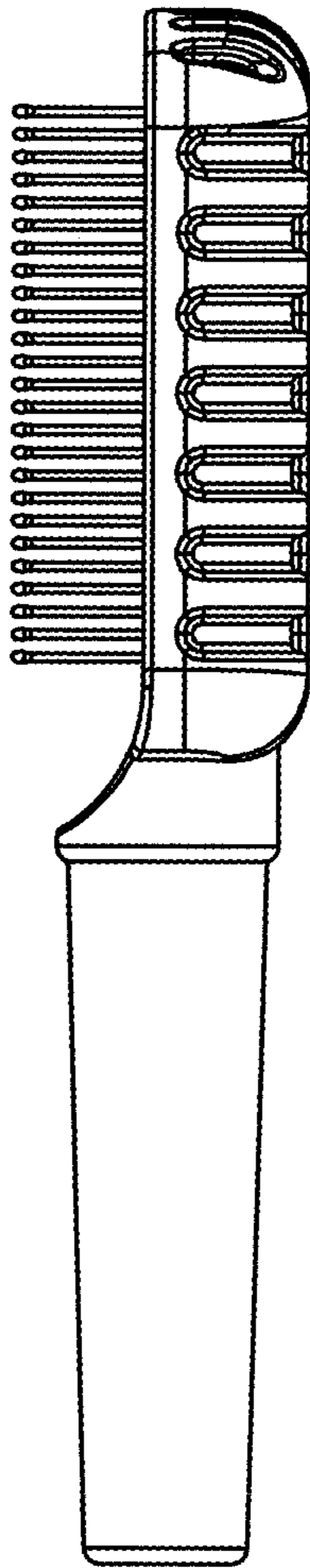


Fig. 2

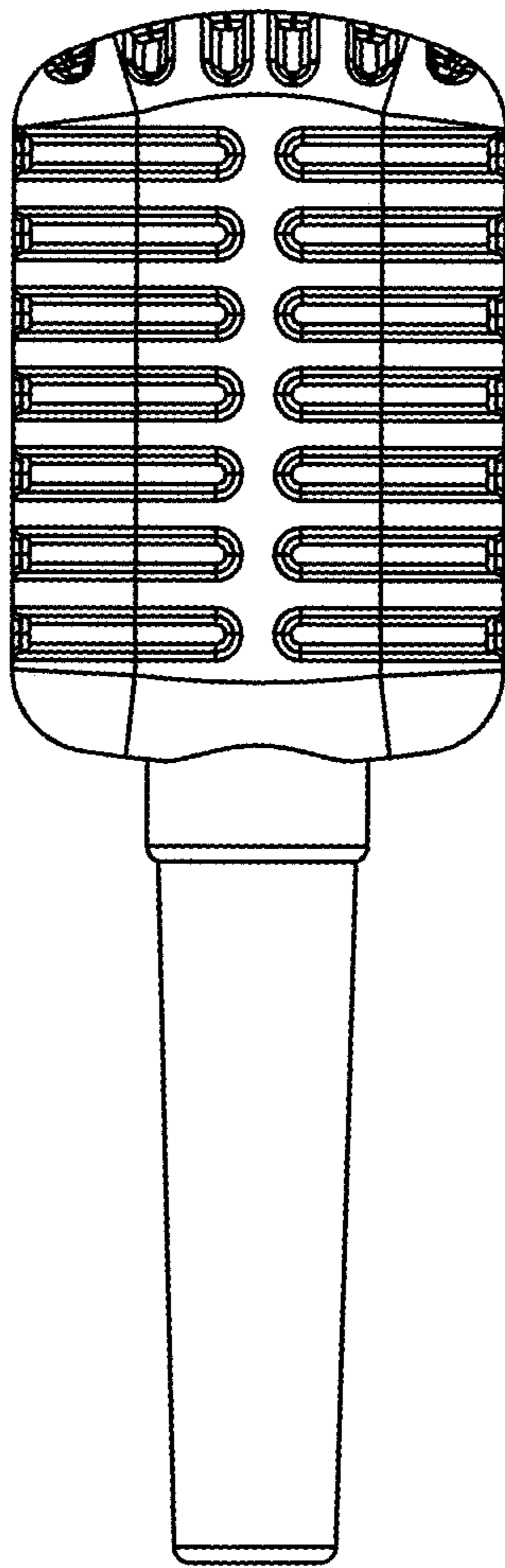


Fig. 3

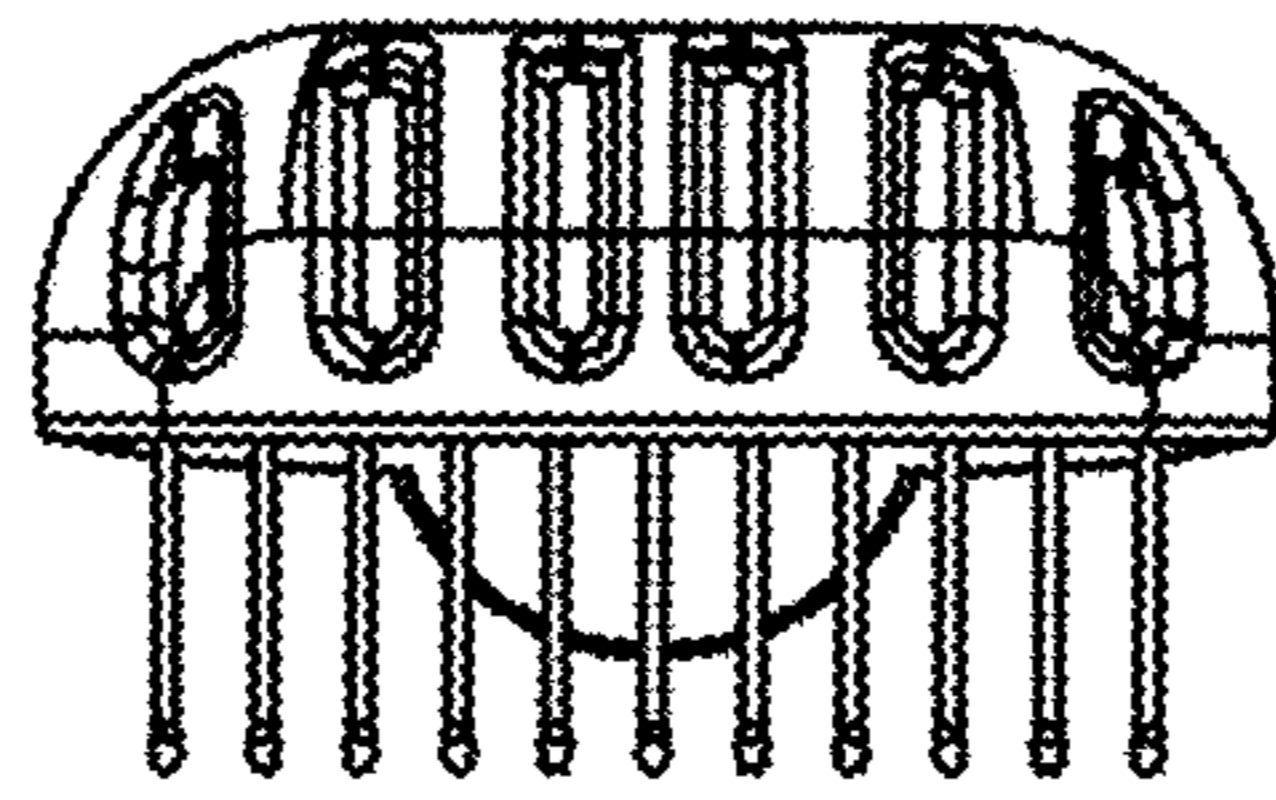


Fig. 4

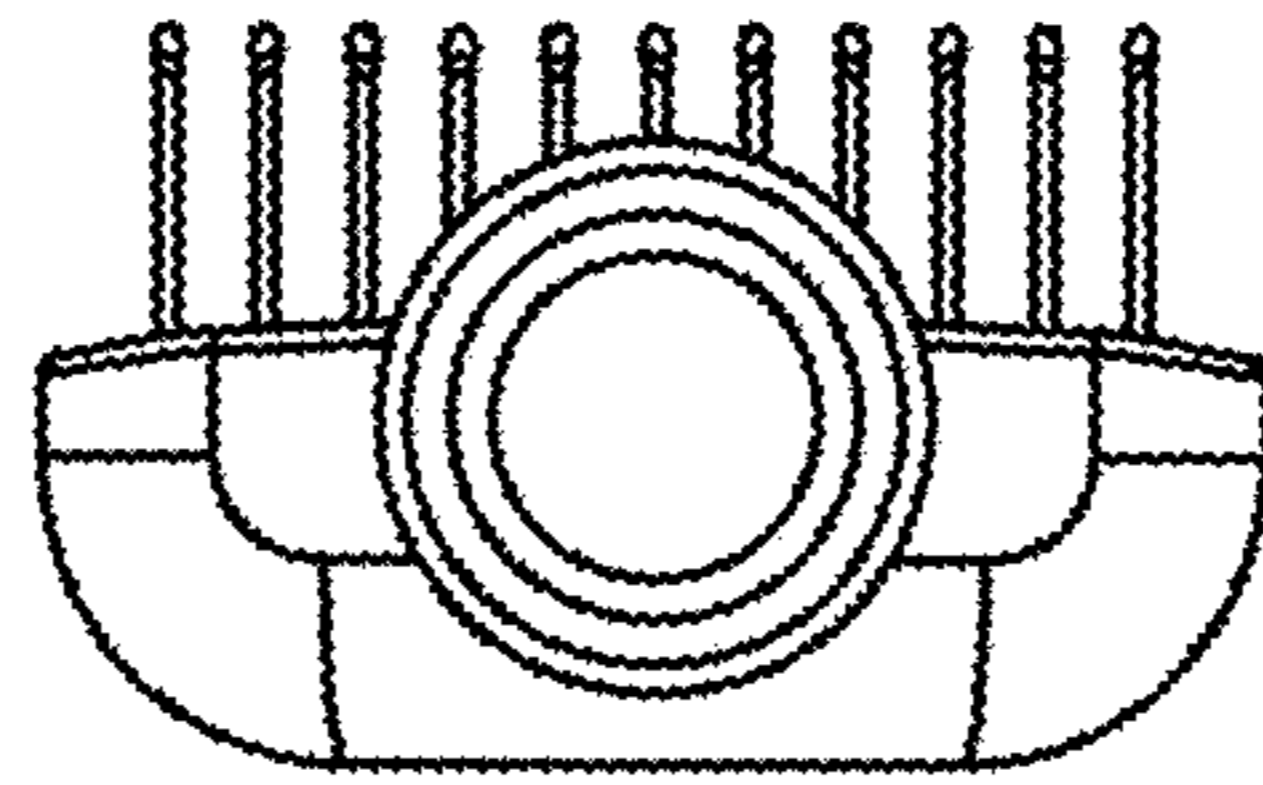


Fig. 5

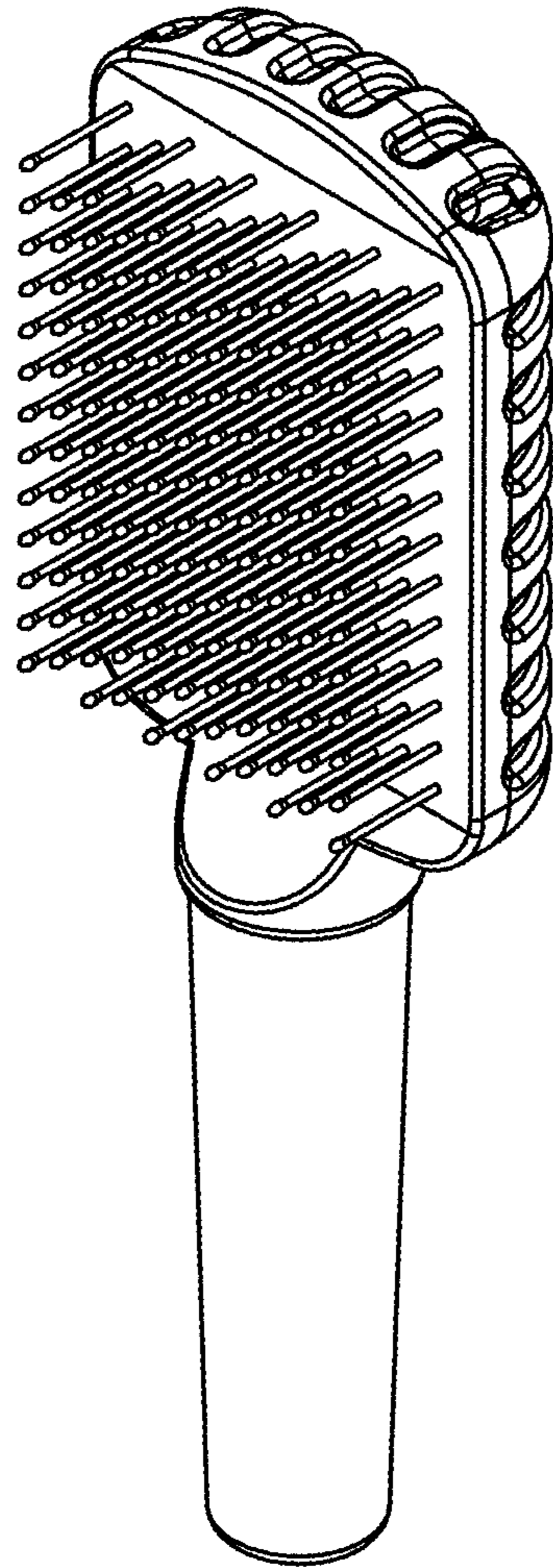


Fig. 6

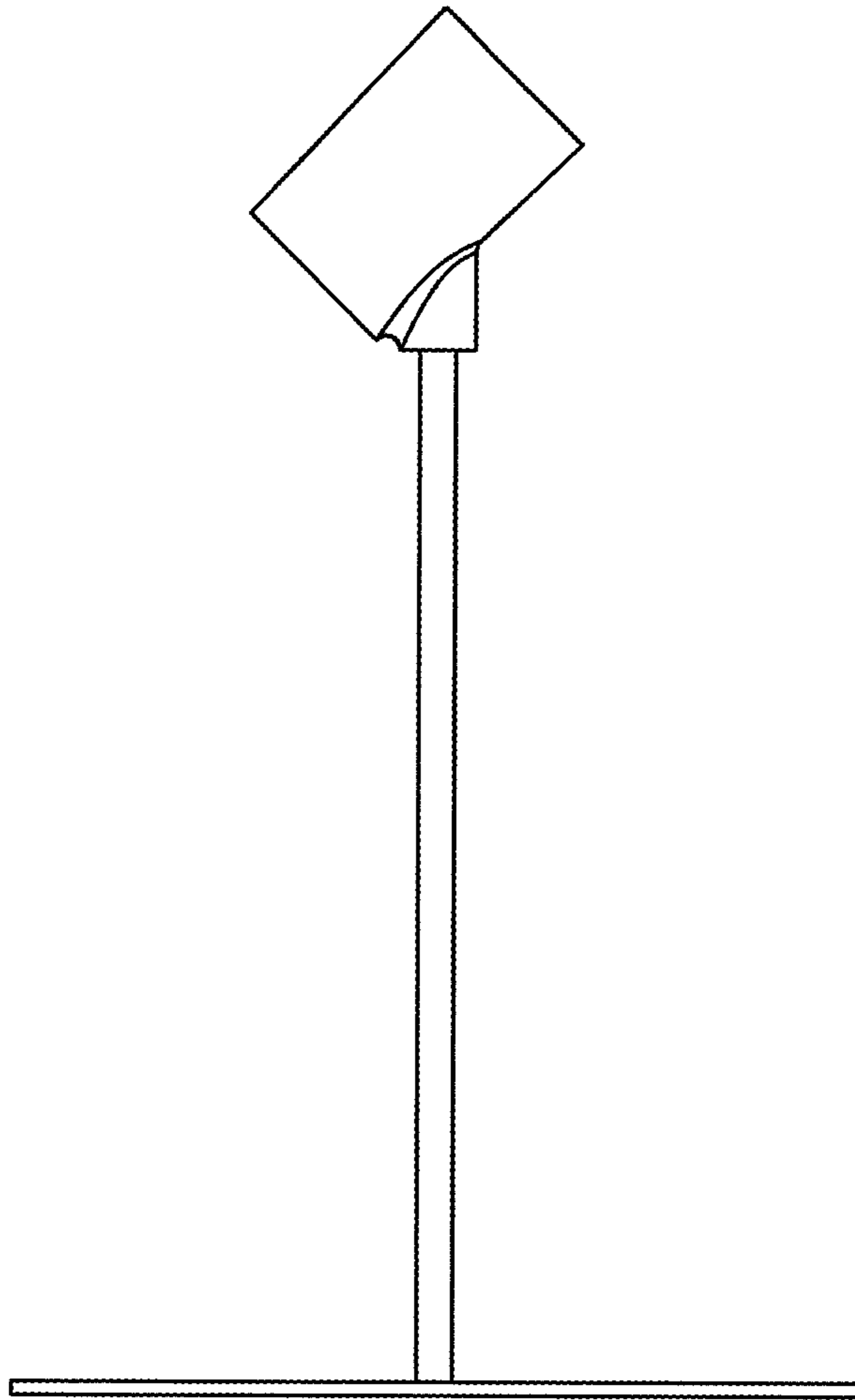


Fig. 7

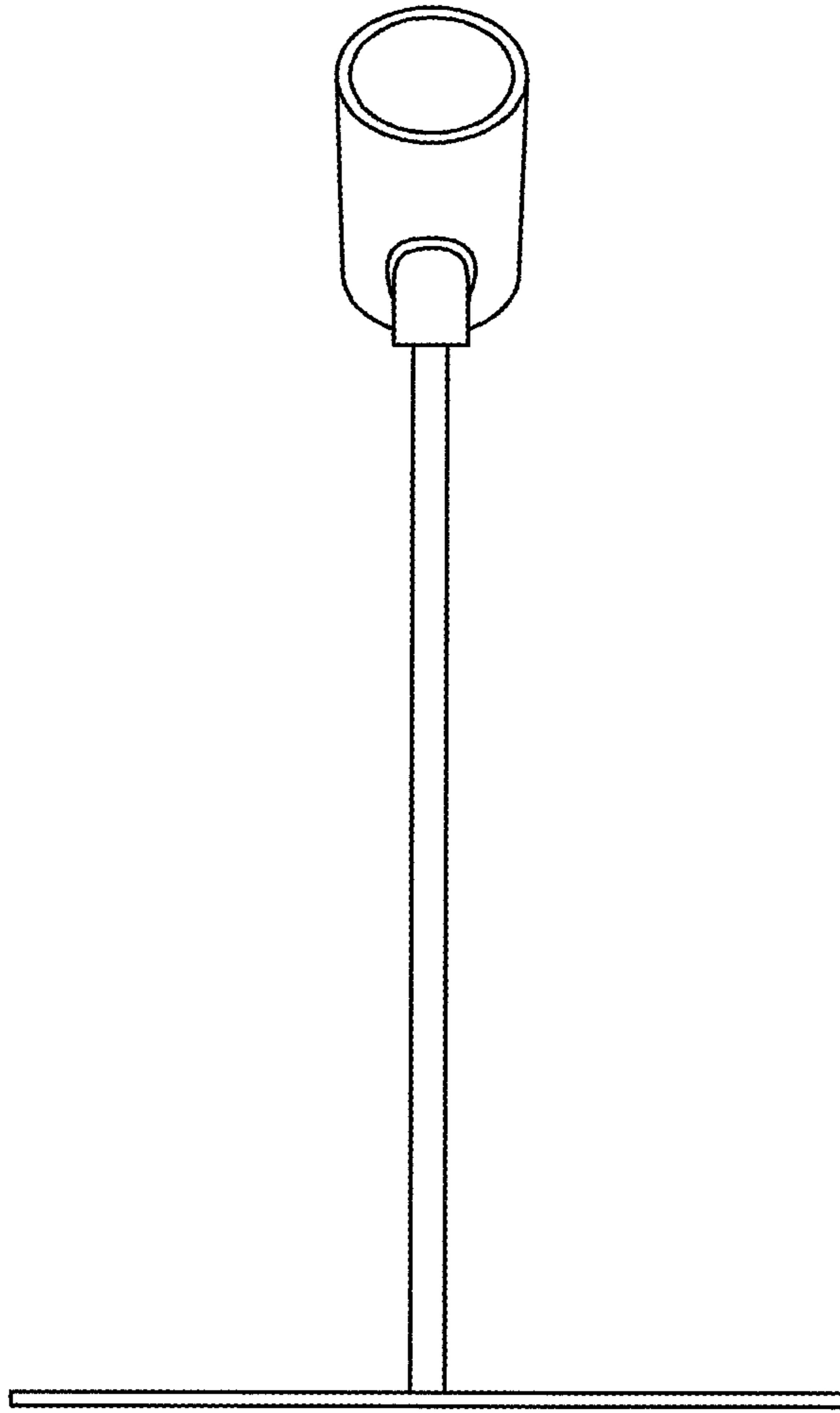


Fig. 8

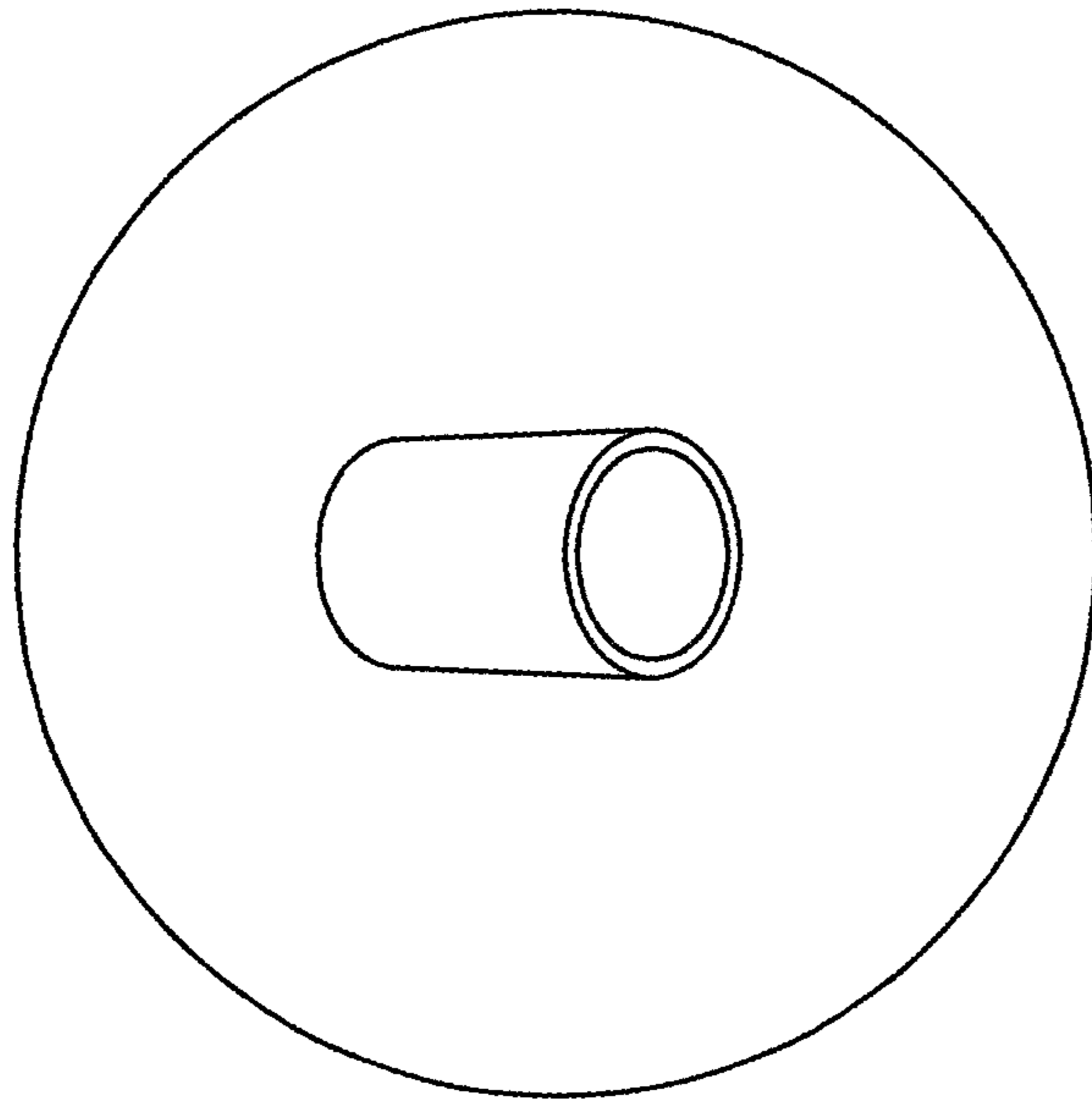


Fig. 9

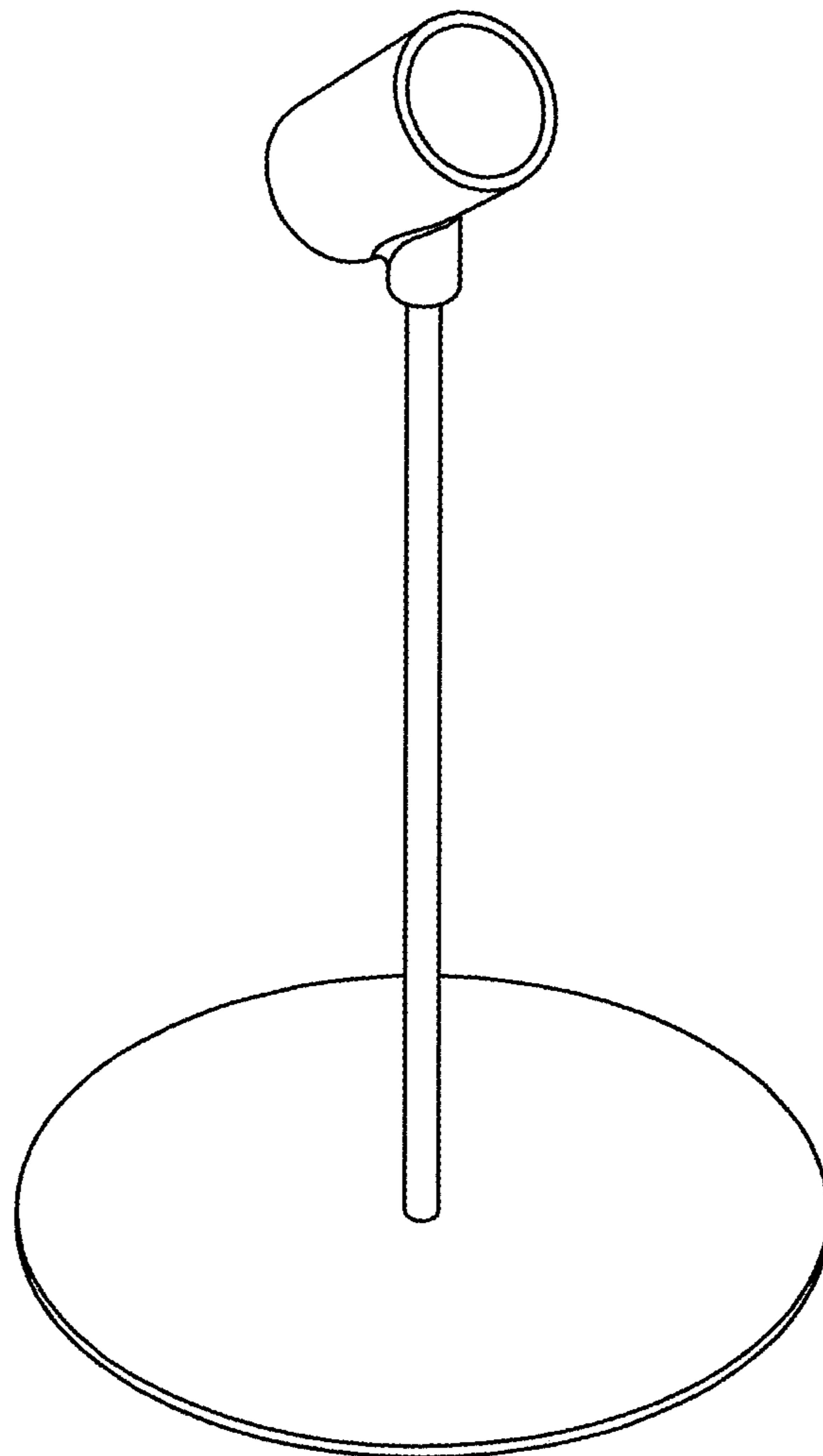


Fig. 10

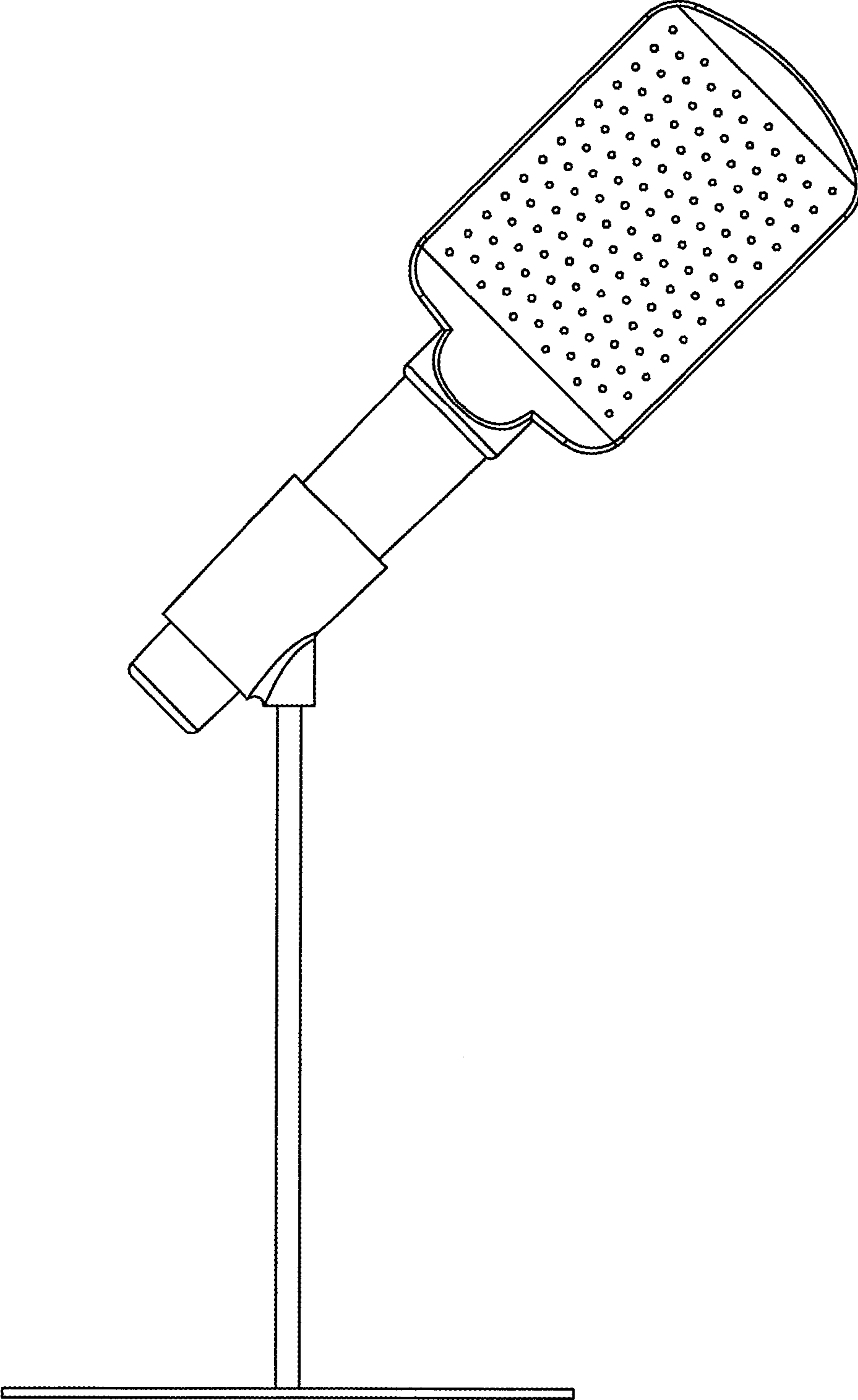


Fig. 11

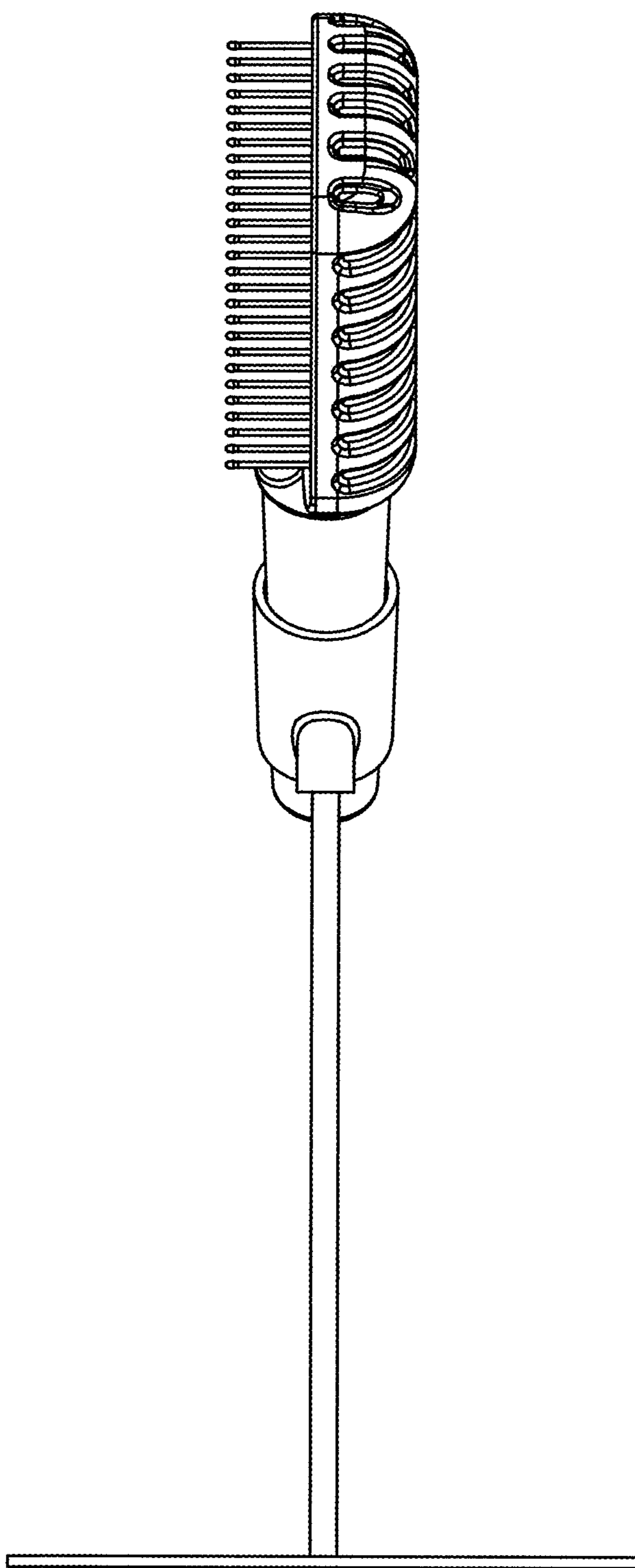


Fig. 12

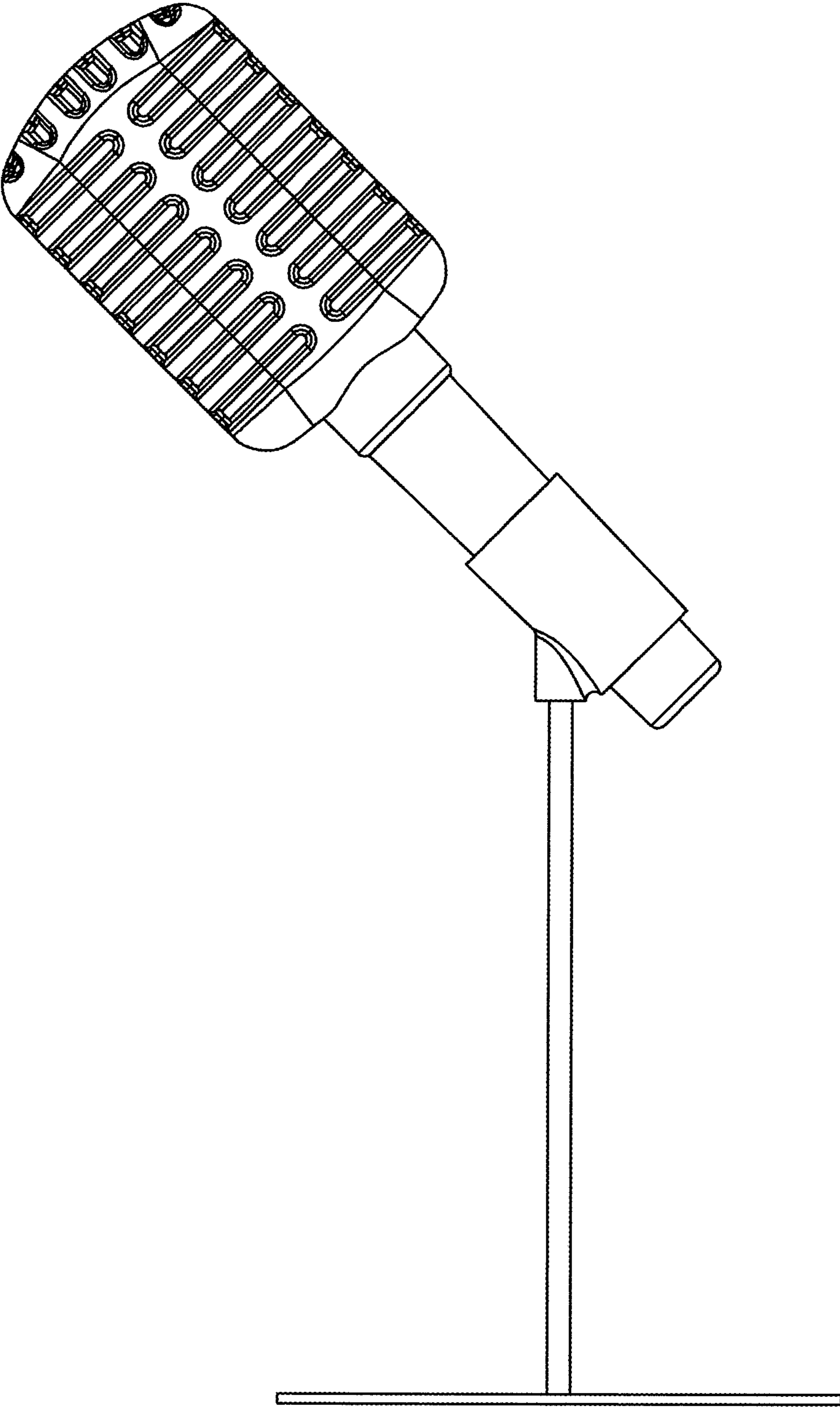


Fig. 13

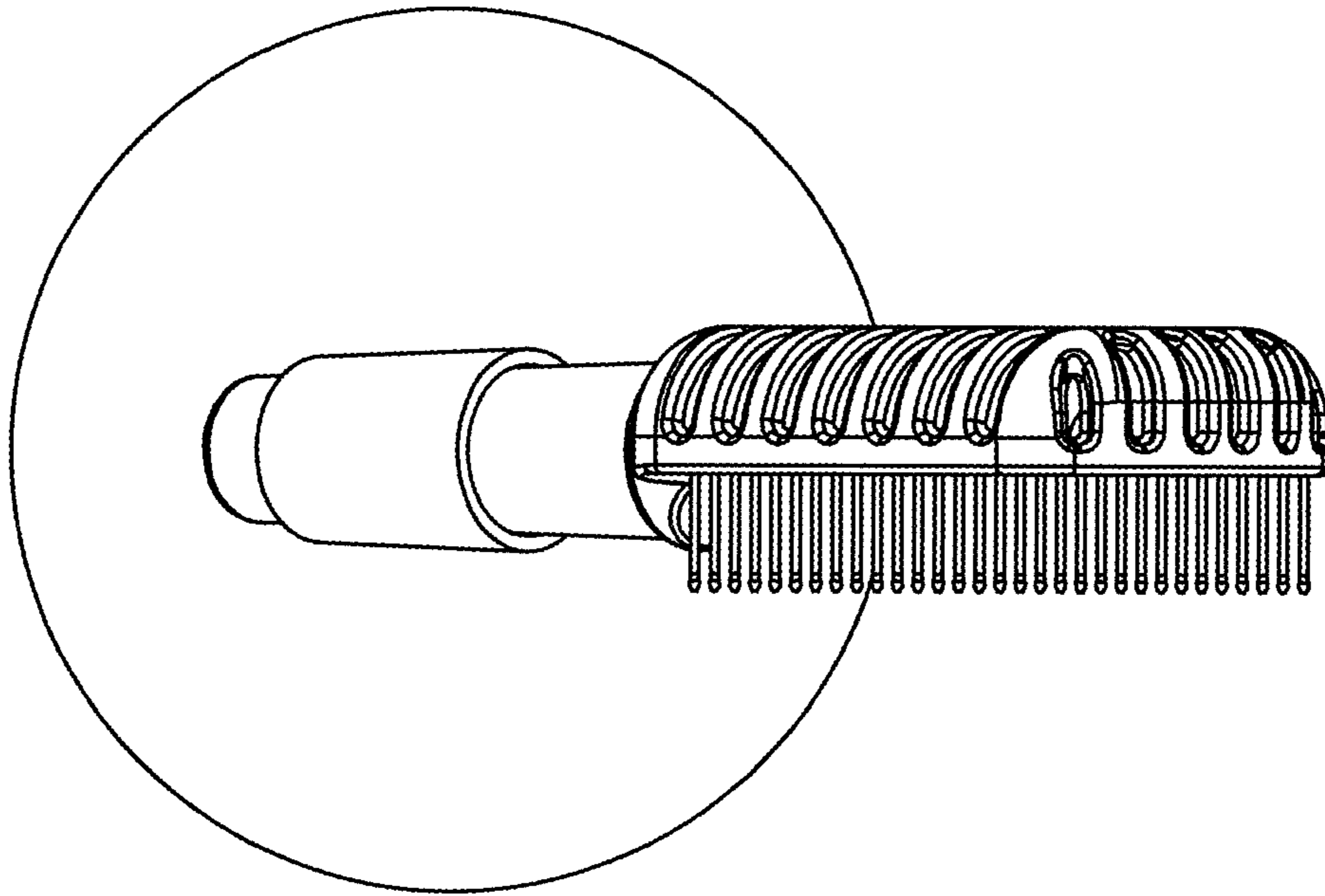


Fig. 14

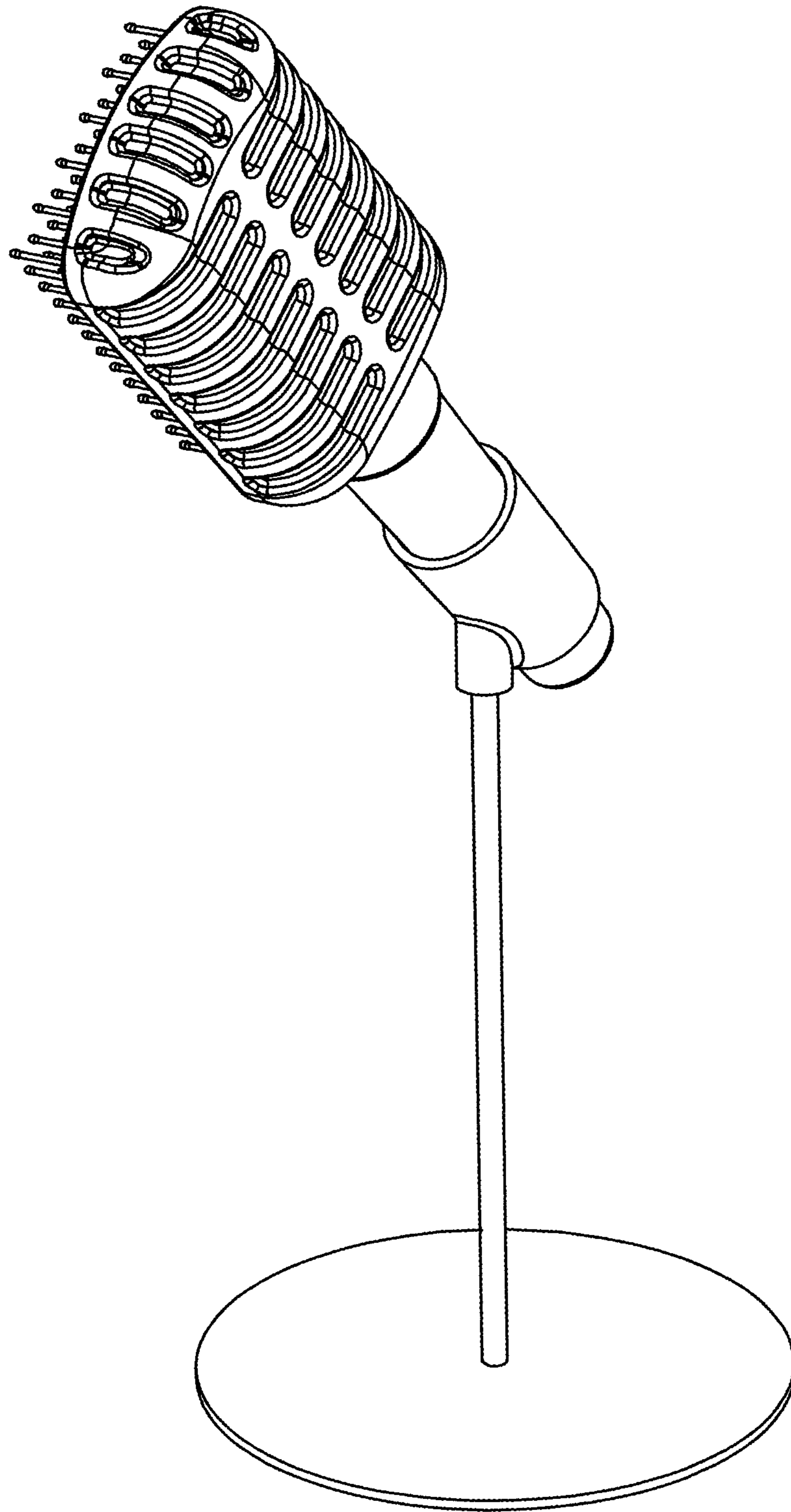


Fig. 15