



US00D769626S

(12) **United States Design Patent** (10) **Patent No.:** **US D769,626 S**
Bloch et al. (45) **Date of Patent:** **** Oct. 25, 2016**

(54) **REFILL HEAD FOR ELECTRIC TOOTHBRUSH**
(71) Applicant: **COLGATE-PALMOLIVE COMPANY**, Piscataway, NJ (US)
(72) Inventors: **Brian Bloch**, Hillsborough, NJ (US); **Lars Ralf Rainer Lieberwirth**, Glashuetten (DE)
(73) Assignee: **COLGATE-PALMOLIVE COMPANY**, New York, NY (US)
(**) Term: **14 Years**

5,448,792 A 9/1995 Wiedemann et al.
5,453,644 A 9/1995 Yap et al.
5,577,285 A 11/1996 Drossler
5,778,474 A 7/1998 Shek
D411,769 S 7/1999 Wright
6,000,083 A 12/1999 Blaustein et al.
6,151,745 A 11/2000 Roberts et al.
6,189,693 B1 2/2001 Blaustein et al.
6,311,358 B1 11/2001 Soetewey et al.
D458,029 S 6/2002 Li
D470,660 S 2/2003 Schaber
6,574,820 B1 6/2003 DePuydt et al.
D480,563 S 10/2003 Hensel
D487,349 S 3/2004 Julian
6,725,490 B2 4/2004 Blaustein et al.
D500,208 S 12/2004 Vu

(Continued)

(21) Appl. No.: **29/477,154**

(22) Filed: **Dec. 19, 2013**

(51) **LOC (10) Cl.** **04-02**

(52) **U.S. Cl.**
USPC **D4/101**

(58) **Field of Classification Search**
USPC D4/101, 104-112; 15/110, 167.1, 15/167.2, 207.2; 132/308-311; 601/139, 601/141, 142; 606/161
CPC A46B 3/00; A46B 3/005; A46B 3/22; A46B 9/00; A46B 9/005; A46B 9/02; A46B 9/04; A46B 9/045; A46B 15/0075; A46B 15/0081; A46B 2200/10; A46B 2200/1026; A46B 2200/1066; A46B 2200/173; A46B 2200/186; A61B 17/244; A61C 17/16; A61C 17/22; A61C 17/222; A61C 17/24; A61C 17/32; A61C 17/3409; A61C 17/3427; A61C 17/3436; A61C 17/3445; A61C 17/3449; A61C 17/3472
See application file for complete search history.

(56) **References Cited**

U.S. PATENT DOCUMENTS

4,277,862 A 7/1981 Vowles
D353,490 S 12/1994 Hartwein

FOREIGN PATENT DOCUMENTS

CA 2145065 11/2002
CA 2727682 5/2003

(Continued)

Primary Examiner — Karen E Eldridge Powers

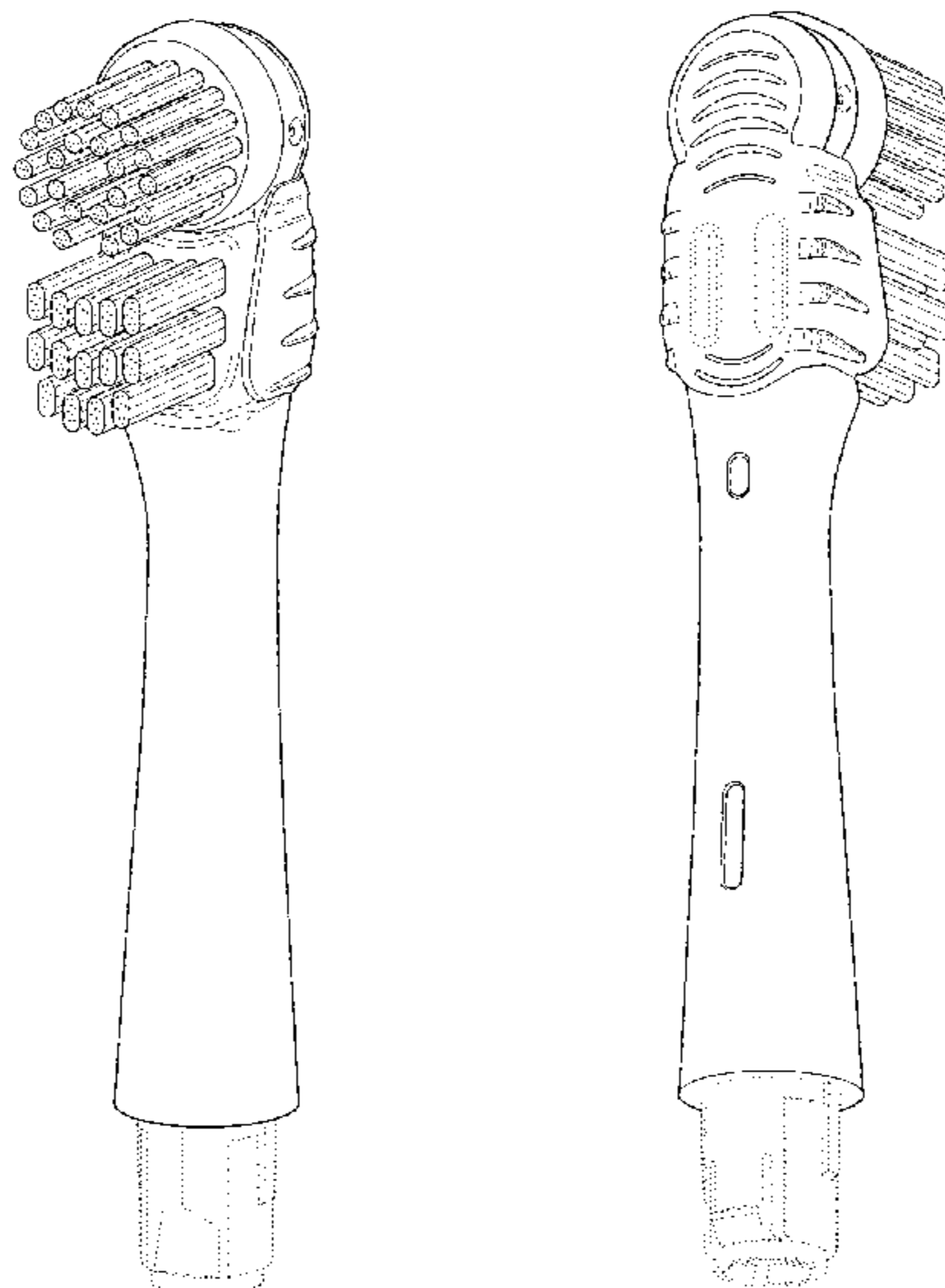
(57) **CLAIM**

The ornamental design for a refill head for electric toothbrush, as shown and described.

DESCRIPTION

FIG. 1 is a front perspective view of the new design; FIG. 2 is a rear perspective view thereof; FIG. 3 is a front view thereof; FIG. 4 is a rear view thereof; FIG. 5 is a right side view thereof; FIG. 6 is a left side view thereof; FIG. 7 is a top view thereof; and, FIG. 8 is a bottom view thereof. All broken lines shown in the drawings illustrate environmental structure and form no part of the claimed design.

1 Claim, 4 Drawing Sheets



(56)

References Cited

U.S. PATENT DOCUMENTS

D503,852 S	4/2005	Hensel	CA	D121892	1/2009
6,886,207 B1	5/2005	Solanki	CA	D121894	1/2009
D510,662 S	10/2005	Kling et al.	CA	2532727	2/2009
6,952,854 B2	10/2005	Blaustein et al.	CA	2494755	5/2009
6,988,777 B2	1/2006	Pfenniger et al.	CA	2523180	7/2009
D527,903 S	9/2006	Chan	CA	2462435	10/2009
7,124,461 B2	10/2006	Blaustein et al.	CA	2477314	10/2009
D534,725 S	1/2007	Vu	CA	2591699	11/2009
D536,876 S	2/2007	Chan et al.	CA	2742912	5/2010
7,197,784 B2	4/2007	Wong	CA	2755997	9/2010
D547,051 S	7/2007	Kirk, III et al.	CA	2760067	10/2010
7,269,872 B2	9/2007	Fattori et al.	CA	2766373	12/2010
D563,106 S	3/2008	Chan et al.	CA	2497733	2/2011
D577,198 S	9/2008	Jimenez et al.	CA	2465902	5/2011
7,451,514 B2	11/2008	Blaustein et al.	CA	2579039	5/2011
7,458,647 B2	12/2008	Fischer et al.	CA	2589607	5/2011
D603,170 S *	11/2009	Wong D4/108	CA	2644304	6/2011
D611,712 S	3/2010	Stoerkel et al.	CA	2781242	6/2011
7,707,676 B2	5/2010	Solanki	CA	2781245	6/2011
D625,104 S	10/2010	Winkler	CA	2518405	7/2011
D625,105 S	10/2010	Winkler	CA	D140845	1/2012
D632,894 S	2/2011	Shigeno et al.	CA	D140847	1/2012
7,941,886 B2	5/2011	Chenvainu et al.	CA	D142396	1/2012
D640,469 S *	6/2011	Nanda D4/112	CA	2479945	8/2012
7,975,344 B2	7/2011	Braun et al.	CA	2521848	8/2012
7,992,244 B2	8/2011	Prineppi	CA	2514911	11/2012
8,060,970 B2	11/2011	Solanki	CA	2781418	12/2012
D651,805 S	1/2012	Hay et al.	CA	D135253	12/2012
D653,035 S	1/2012	Gebski	CA	2548425	1/2013
D660,004 S *	5/2012	Knutzen et al. D4/108	CA	2549461	2/2013
8,234,742 B2	8/2012	Blaustein et al.	CA	2759094	4/2013
D669,687 S	10/2012	Heil et al.	CN	1424001	6/2003
8,332,982 B2	12/2012	Braun et al.	CN	2636836	9/2004
8,332,985 B2	12/2012	Solanki	CN	1548011	11/2004
D673,775 S	1/2013	Jimenez et al.	CN	2652351	11/2004
D676,662 S	2/2013	Jimenez et al.	CN	1568901	1/2005
8,370,984 B2	2/2013	Farrell et al.	CN	201042465	4/2008
8,418,301 B2	4/2013	Kressner	CN	300909803	4/2009
8,434,183 B2	5/2013	Fritsch et al.	CN	300966813	7/2009
8,468,634 B2	6/2013	Iwahori et al.	CN	201370645	12/2009
8,528,148 B2	9/2013	Brown, Jr. et al.	CN	301354565 S	9/2010
8,584,299 B2	11/2013	Chan et al.	CN	201727600	2/2011
D697,311 S *	1/2014	Herr et al. D4/106	CN	201727601	2/2011
2002/0084550 A1	7/2002	Roberts et al.	CN	301548727 S	5/2011
2003/0084524 A1	5/2003	Blaustein et al.	CN	301555643 S	5/2011
2004/0087882 A1	5/2004	Roberts et al.	CN	201870760	6/2011
2004/0177458 A1	9/2004	Chan et al.	CN	202113181	1/2012
2004/0200016 A1	10/2004	Chan et al.	EM	000037007-0001	10/2003
2005/0086753 A1	4/2005	Roberts et al.	EM	000065255-0001	11/2003
2006/0085931 A1	4/2006	Roberts et al.	EM	000065255-0002	11/2003
2007/0234496 A1	10/2007	Roberts et al.	EM	000065255-0003	11/2003
2010/0251493 A1	10/2010	Sale et al.	EM	000101076-0001	2/2004
2011/0047729 A1	3/2011	Iwahori et al.	EM	000101076-0002	2/2004
2011/0083288 A1	4/2011	Kressner	EM	000102827-0007	7/2005
2012/0036655 A1	2/2012	Fritsch et al.	EM	000774484-0003	1/2008
2012/0204365 A1	8/2012	Kressner	EM	001127815-0001	6/2009
2012/0246846 A1	10/2012	Hall	EM	001775412-0001	3/2012
			EM	002078147-0001	7/2012
			EM	002163675-0001	1/2013
			EM	002174730-0001	1/2013
			EM	002174730-0002	1/2013
			EP	0360766	3/1990
			EP	0628291	12/1994
			EP	1093770	4/2001
			EP	2441159	6/2010
			EP	2289463	3/2011
			EP	1776893	1/2013
			EP	1485039	2/2013
			EP	1641602	3/2013
			EP	2092845	3/2013
			EP	2111181	3/2013
			GB	395624	7/1933
			GB	2303855	3/1997
			RU	57329	8/2005
			RU	57797	9/2005
			RU	68516	12/2008
			RU	69783	4/2009
			RU	74165	3/2010
			RU	75350	7/2010

FOREIGN PATENT DOCUMENTS

CA	2727867	5/2003	EP	2441159	6/2010
CA	D106400	6/2004	EP	2289463	3/2011
CA	D106401	6/2004	EP	1776893	1/2013
CA	2644300	11/2004	EP	1485039	2/2013
CA	D103743	1/2005	EP	1641602	3/2013
CA	2221796	5/2005	EP	2092845	3/2013
CA	2374479	12/2005	EP	2111181	3/2013
CA	D111559	7/2006	GB	395624	7/1933
CA	2199970	5/2007	GB	2303855	3/1997
CA	2634392	6/2007	RU	57329	8/2005
CA	2649473	11/2007	RU	57797	9/2005
CA	2803801	8/2008	RU	68516	12/2008
CA	2550728	10/2008	RU	69783	4/2009
CA	2465486	1/2009	RU	74165	3/2010
CA	2465488	1/2009	RU	75350	7/2010

(56)

References Cited

FOREIGN PATENT DOCUMENTS

RU	75625	7/2010
WO	WO 96/31171	10/1996
WO	WO 96/37164	11/1996
WO	WO 98/01083	1/1998
WO	WO 99/37181	7/1999
WO	WO 00/44259	8/2000
WO	WO 01/19281	3/2001
WO	WO 01/28452	4/2001
WO	WO 03/017861	3/2003
WO	WO 03/024353	3/2003
WO	WO 03/039393	5/2003
WO	WO 03/039396	5/2003
WO	WO 03/039397	5/2003
WO	WO 03/055351	7/2003
WO	WO 03/075712	9/2003
WO	WO 2004/045448	6/2004
WO	WO 2004/056235	7/2004
WO	WO 2004/080330	9/2004
WO	WO 2004/091340	10/2004

WO	WO 2004/093719	11/2004
WO	WO 2005/009274	2/2005
WO	WO 2005/032398	4/2005
WO	WO 2005/063143	7/2005
WO	WO 2005/063144	7/2005
WO	WO 2005/115196	12/2005
WO	WO 2006/029235	3/2006
WO	WO 2006/063226	6/2006
WO	WO 2008/029377	3/2008
WO	WO 2010/023644	3/2010
WO	WO 2010/025820	3/2010
WO	WO 2010/051080	5/2010
WO	WO 2010/106522	9/2010
WO	WO 2010/113140	10/2010
WO	WO 2010/143166	12/2010
WO	WO 2010/151582	12/2010
WO	WO 2011/072865	6/2011
WO	WO 2011/077290	6/2011
WO	WO 2011/116935	9/2011
WO	WO 2012/030908	3/2012
WO	WO 2012/042493	4/2012
WO	WO 2013/021716	2/2013

* cited by examiner

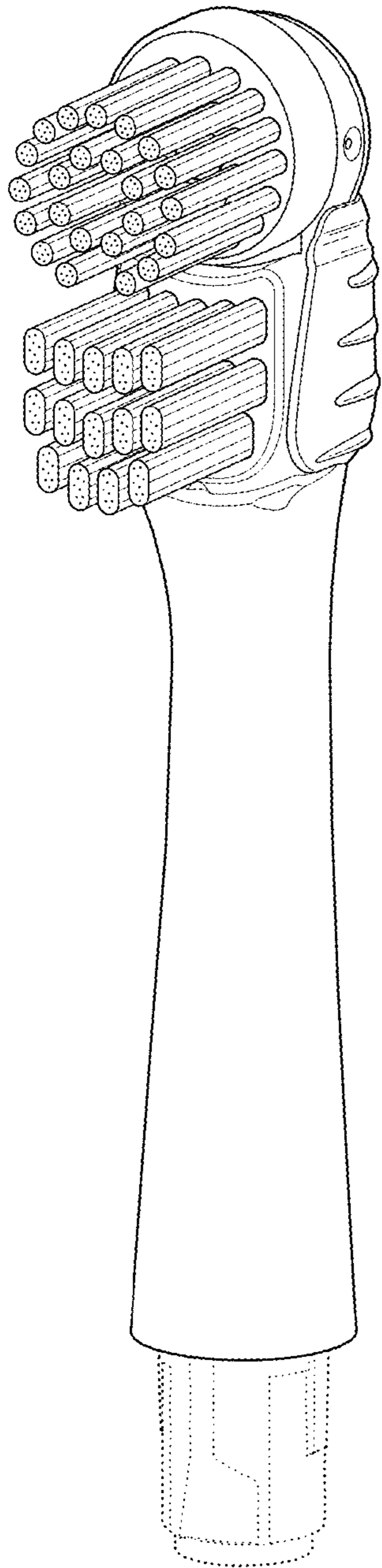


FIG. 1

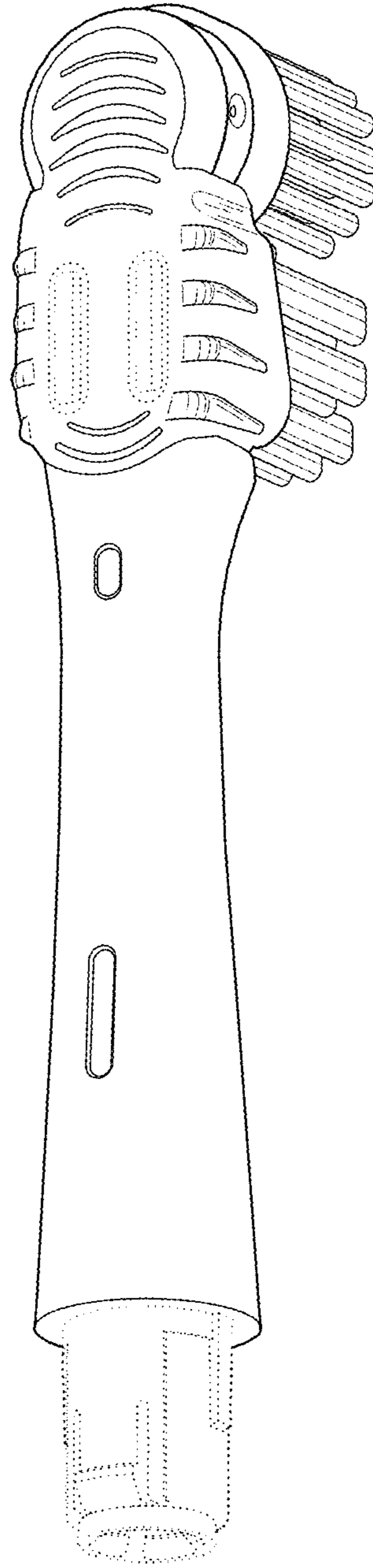


FIG. 2

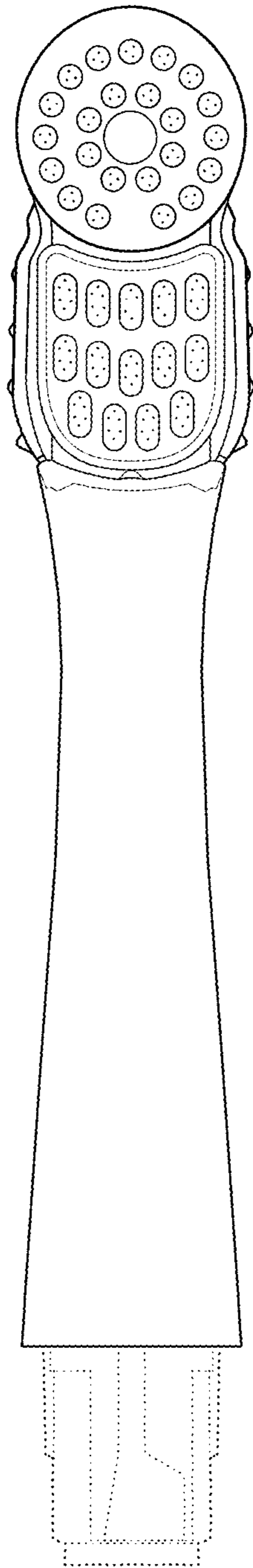


FIG. 3

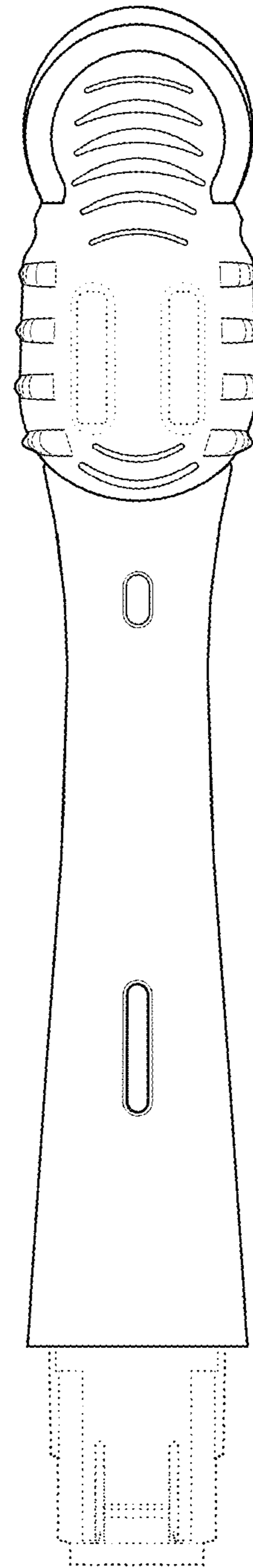


FIG. 4

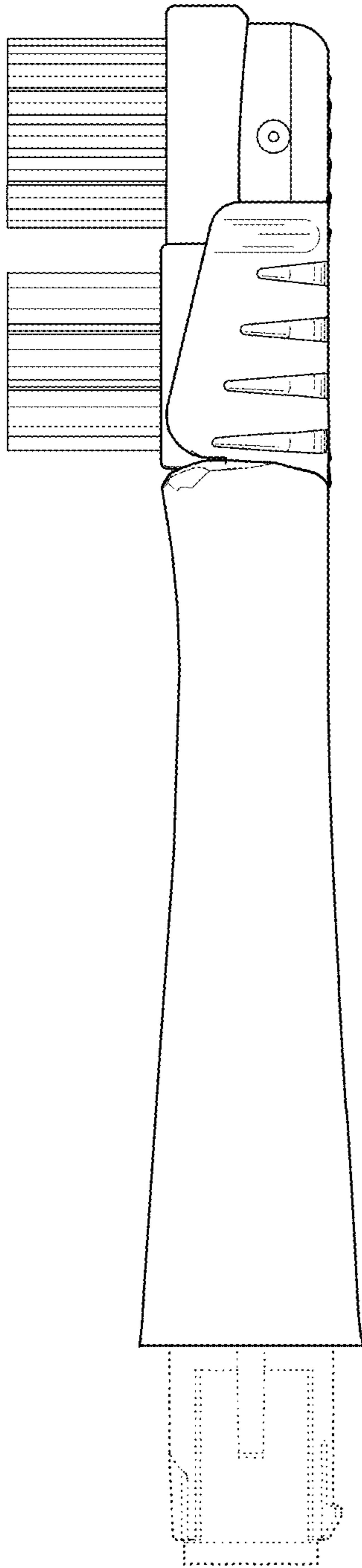


FIG. 5

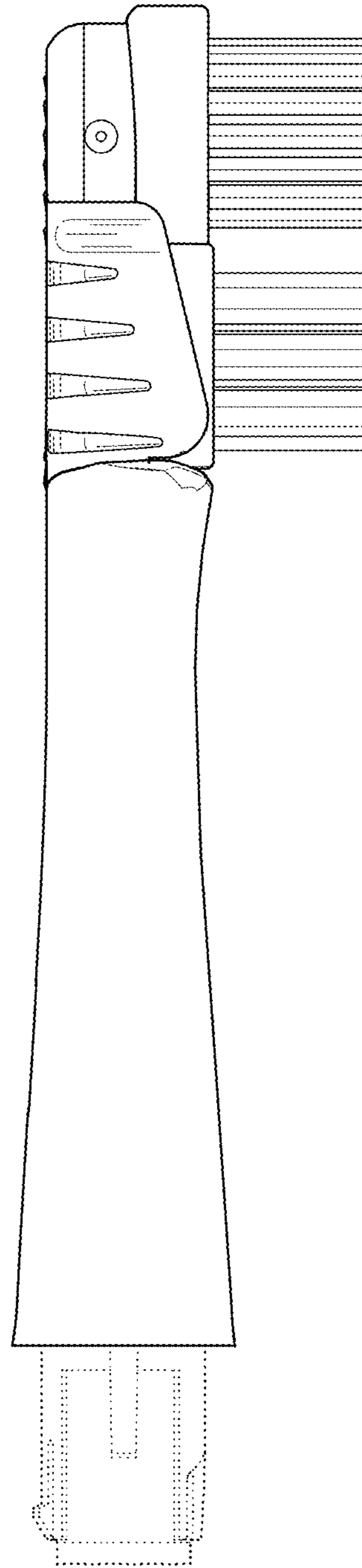


FIG. 6

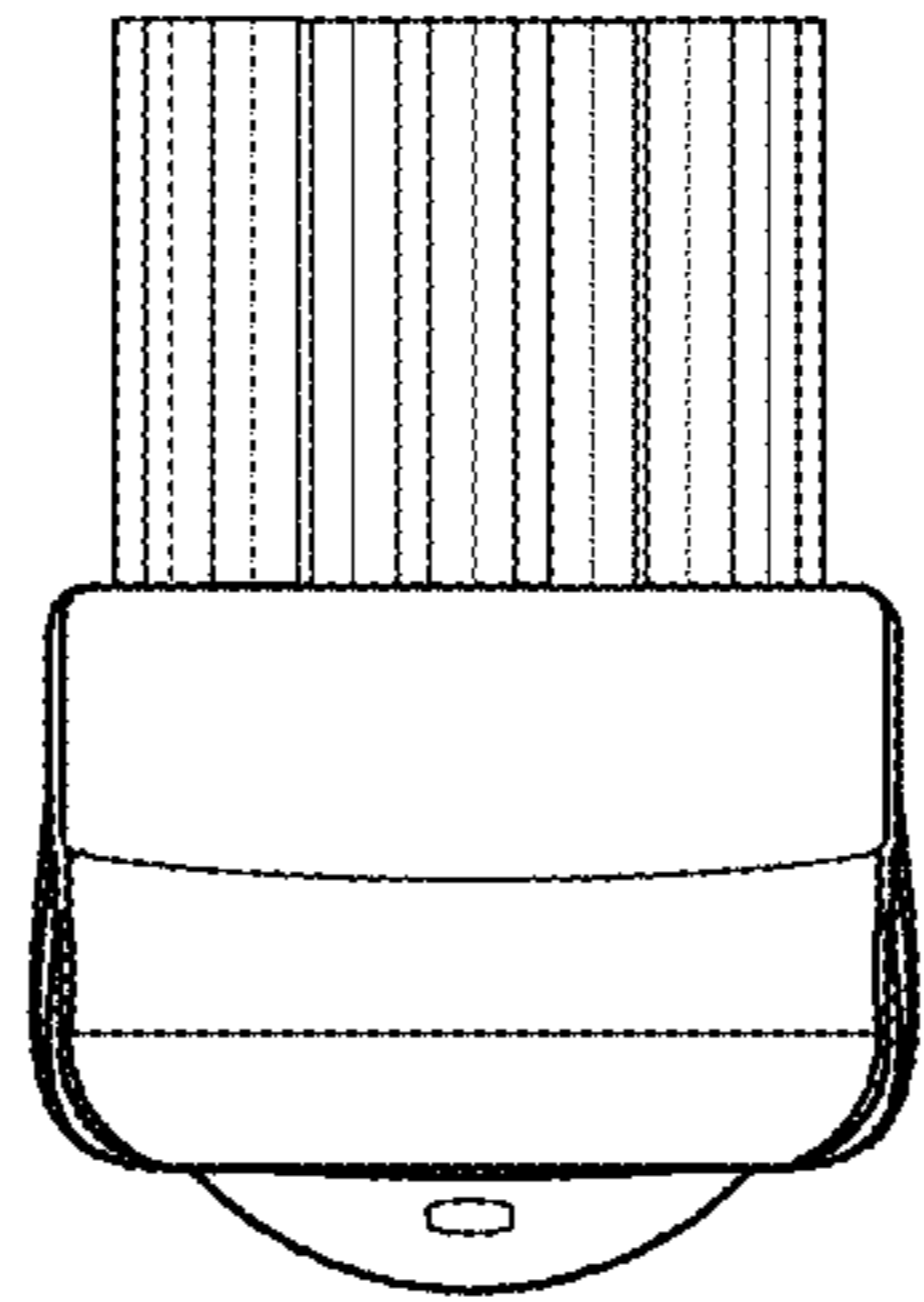


FIG. 7

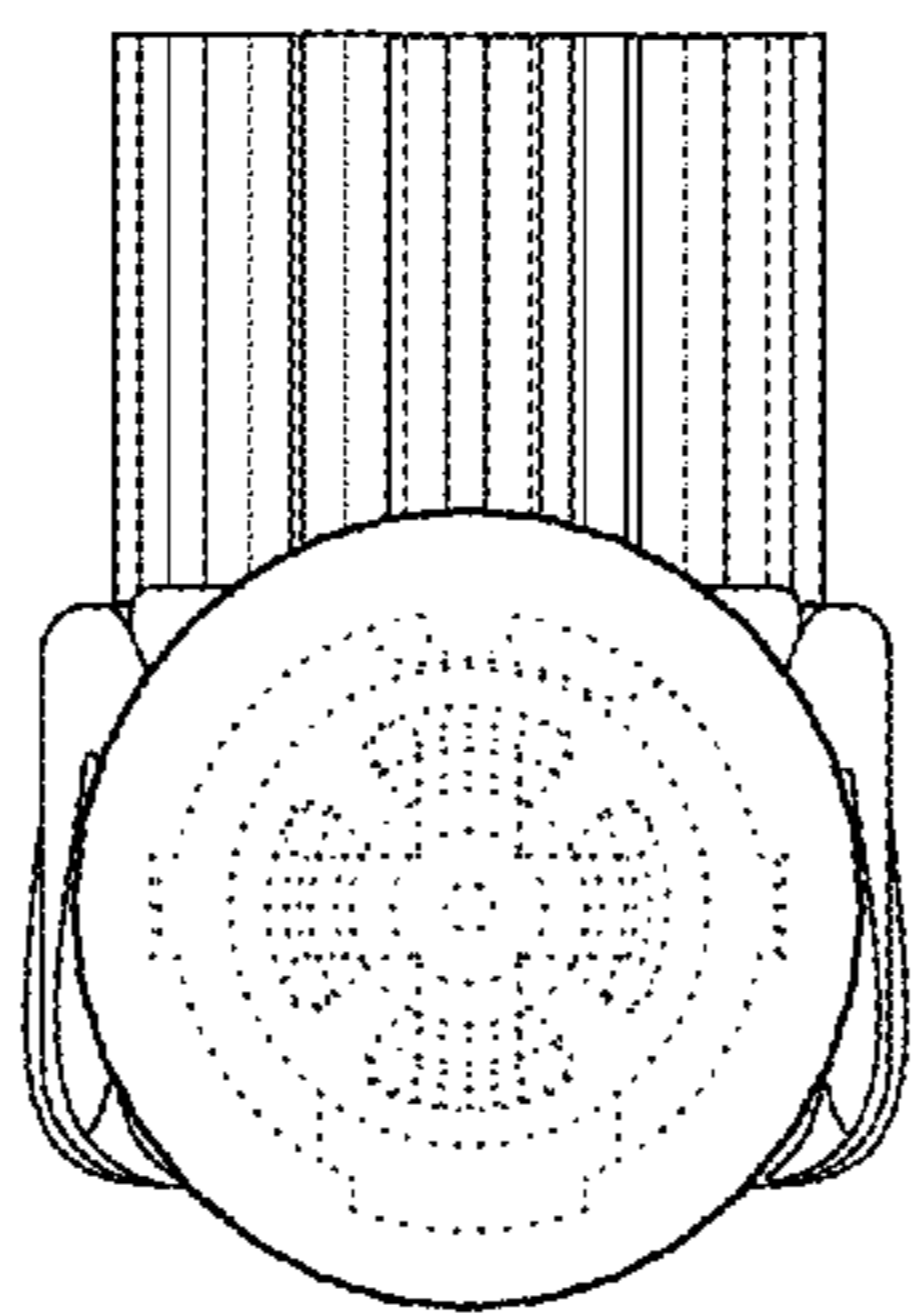


FIG. 8