



US00D769623S

(12) **United States Design Patent** (10) **Patent No.:** **US D769,623 S**
Dooney (45) **Date of Patent:** **** Oct. 25, 2016**

- (54) **HANDBAG WITH A DRAWSTRING CLOSURE**
- (71) Applicant: **Dooney & Bourke, Inc.**, Norwalk, CT (US)
- (72) Inventor: **Henry Peter Dooney**, Greenwich, CT (US)
- (73) Assignee: **Dooney & Bourke, Inc.**, Norwalk, CT (US)
- (**) Term: **14 Years**
- (21) Appl. No.: **29/522,837**
- (22) Filed: **Apr. 2, 2015**
- (51) **LOC (10) Cl.** **03-01**
- (52) **U.S. Cl.**
USPC **D3/318**
- (58) **Field of Classification Search**
USPC D3/244, 318
CPC A45C 1/024; A45C 3/06
See application file for complete search history.

(56) **References Cited**

U.S. PATENT DOCUMENTS

D333,565 S *	3/1993	Imbert	D3/217
D358,706 S *	5/1995	Kopel	D3/233
D433,567 S *	11/2000	Howard	D3/244
D574,149 S *	8/2008	van der Poel	D3/237
D627,158 S *	11/2010	Dreyfuss	D3/244

OTHER PUBLICATIONS

Mull, "Suddenly, Drawstring Bags are Everywhere", Sep. 4, 2013, Shoulder Bags, Trends; © Purseblog Network, 14 pgs., retrieved on Apr. 2, 2015.
 Google search results, "michael kors drawstring handbags", Google, Shopping, Handbags, Michael Kors, 5 pgs., retrieved on Apr. 2, 2015; Admitted Prior Art.
 9Starbag.com, Louis Vuitton Monogram Canvas to Drawstring Bag M50207, 4 pgs., retrieved on Apr. 2, 2015; Admitted Prior Art.

* cited by examiner

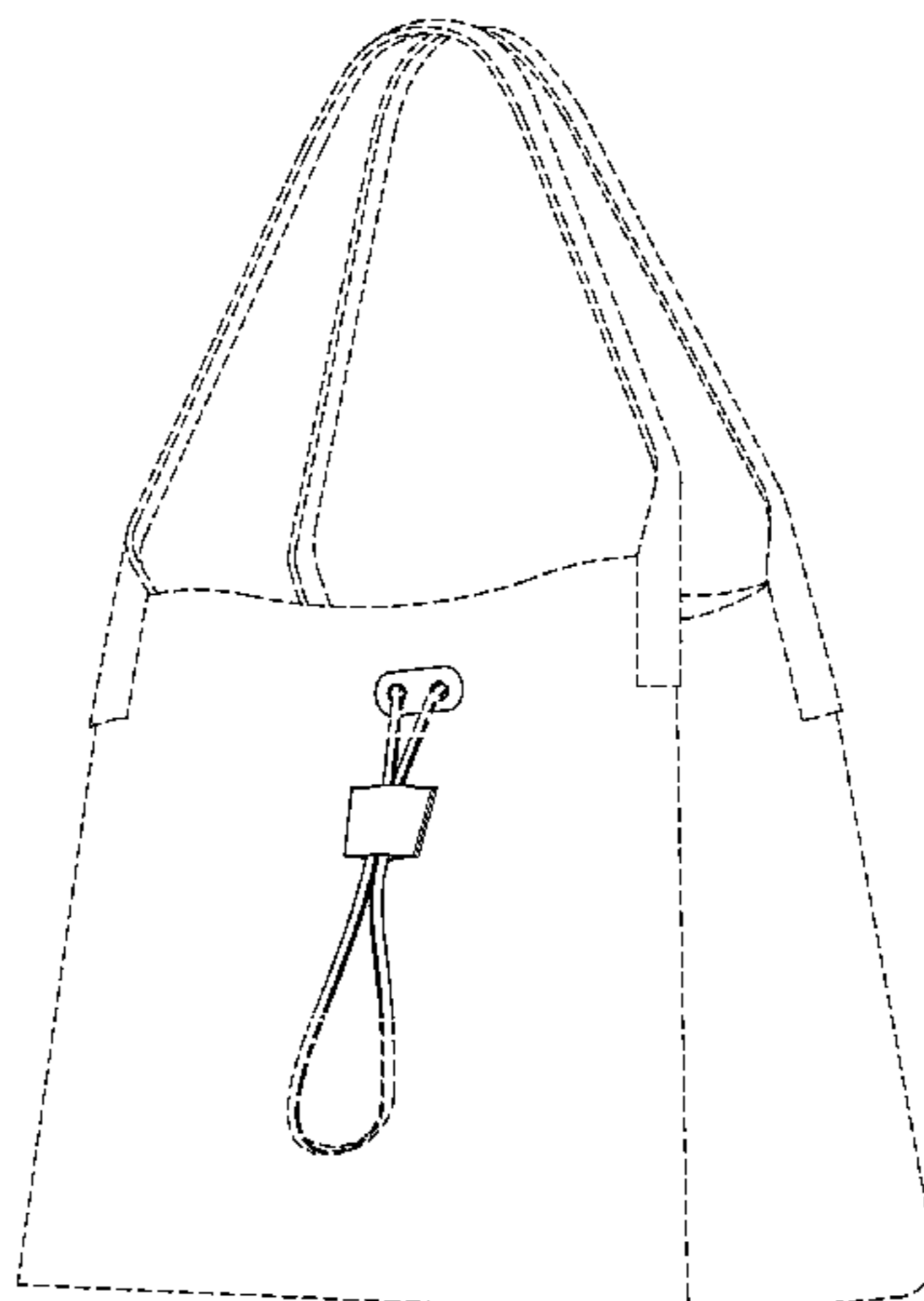
Primary Examiner — Holly Baynham
(74) *Attorney, Agent, or Firm* — Greenberg Traurig, LLP

(57) **CLAIM**
The ornamental design for a handbag with a drawstring closure, as shown and described.

DESCRIPTION

FIG. 1 is a perspective view of a first embodiment of a handbag with a drawstring closure showing my new design; FIG. 2 is a front view of the first embodiment of the handbag with a drawstring closure shown in FIG. 1; FIG. 3 is a front view of the first embodiment of a portion of the handbag with a drawstring closure shown in FIG. 1; FIG. 4 is a top cross-sectional view along lines 4-4 of the first embodiment of the portion of the handbag with a drawstring closure shown in FIG. 3; FIG. 5 is a left side view of the first embodiment of the portion of the handbag with a drawstring closure shown in FIG. 3; the right side view is identical to the left side view; FIG. 6 is a bottom cross-sectional view along lines 6-6 of the first embodiment of the portion of the handbag with a drawstring closure shown in FIG. 3; FIG. 7 is a first perspective view of a second embodiment of a handbag with a drawstring closure showing my new design; FIG. 8 is a second perspective view of the second embodiment of a handbag with a drawstring closure shown in FIG. 7; FIG. 9 is a front view of the second embodiment of the handbag with a drawstring closure shown in FIG. 7; FIG. 10 is a front view of the second embodiment of a portion of the handbag with a drawstring closure shown in FIG. 7; FIG. 11 is a top cross-sectional view along lines 11-11 of the second embodiment of the portion of the handbag with a drawstring closure shown in FIG. 10; FIG. 12 is a left side view of the second embodiment of the portion of the handbag with a drawstring closure shown in FIG. 10; the right side view is identical to the left side view; and, FIG. 13 is a bottom cross-sectional view along lines 13-13 of the second embodiment of the portion of the handbag with a drawstring closure shown in FIG. 10. The broken lines showing a bag are included to show features that form no part of the claimed design.

1 Claim, 7 Drawing Sheets



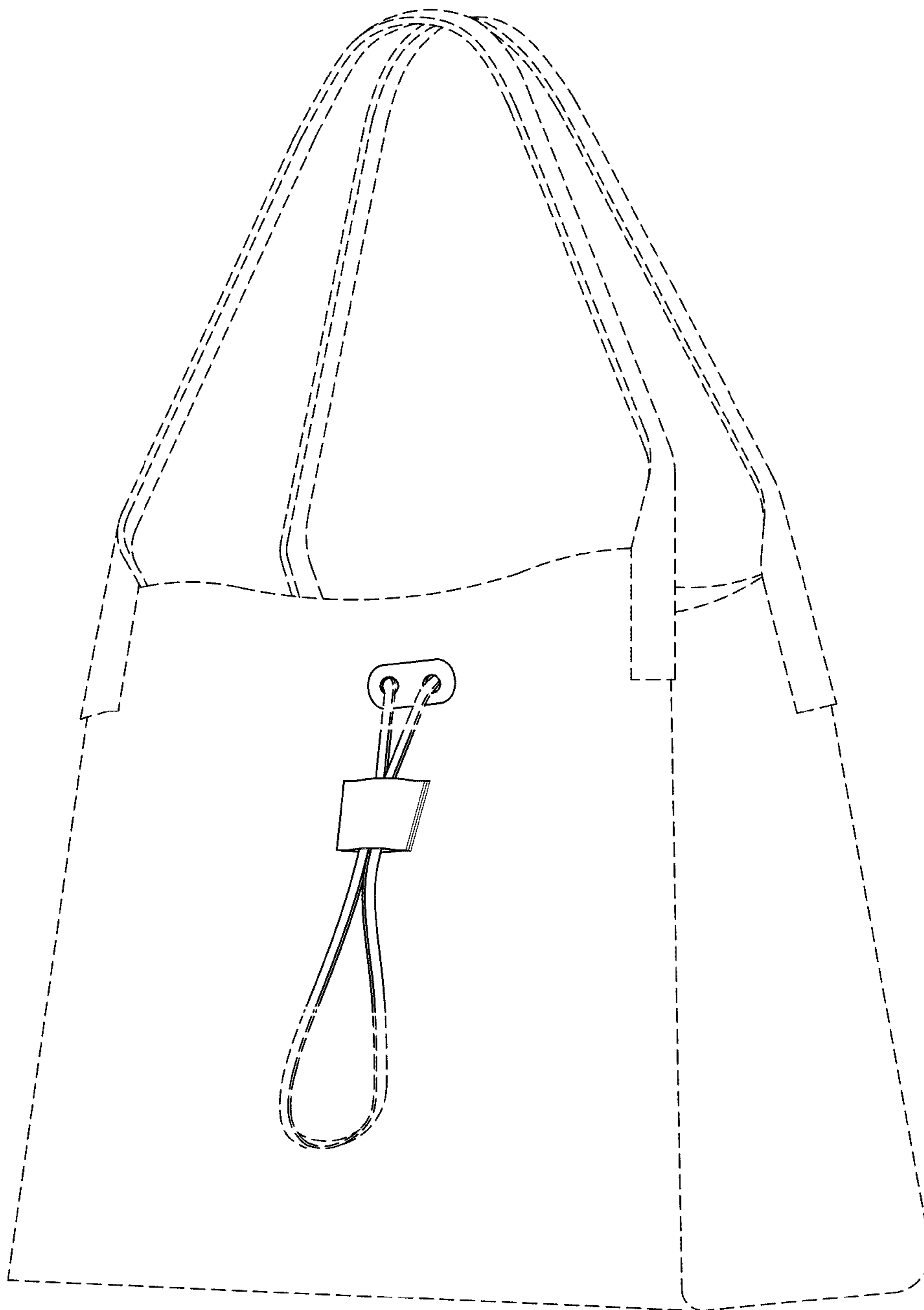


FIG. 1

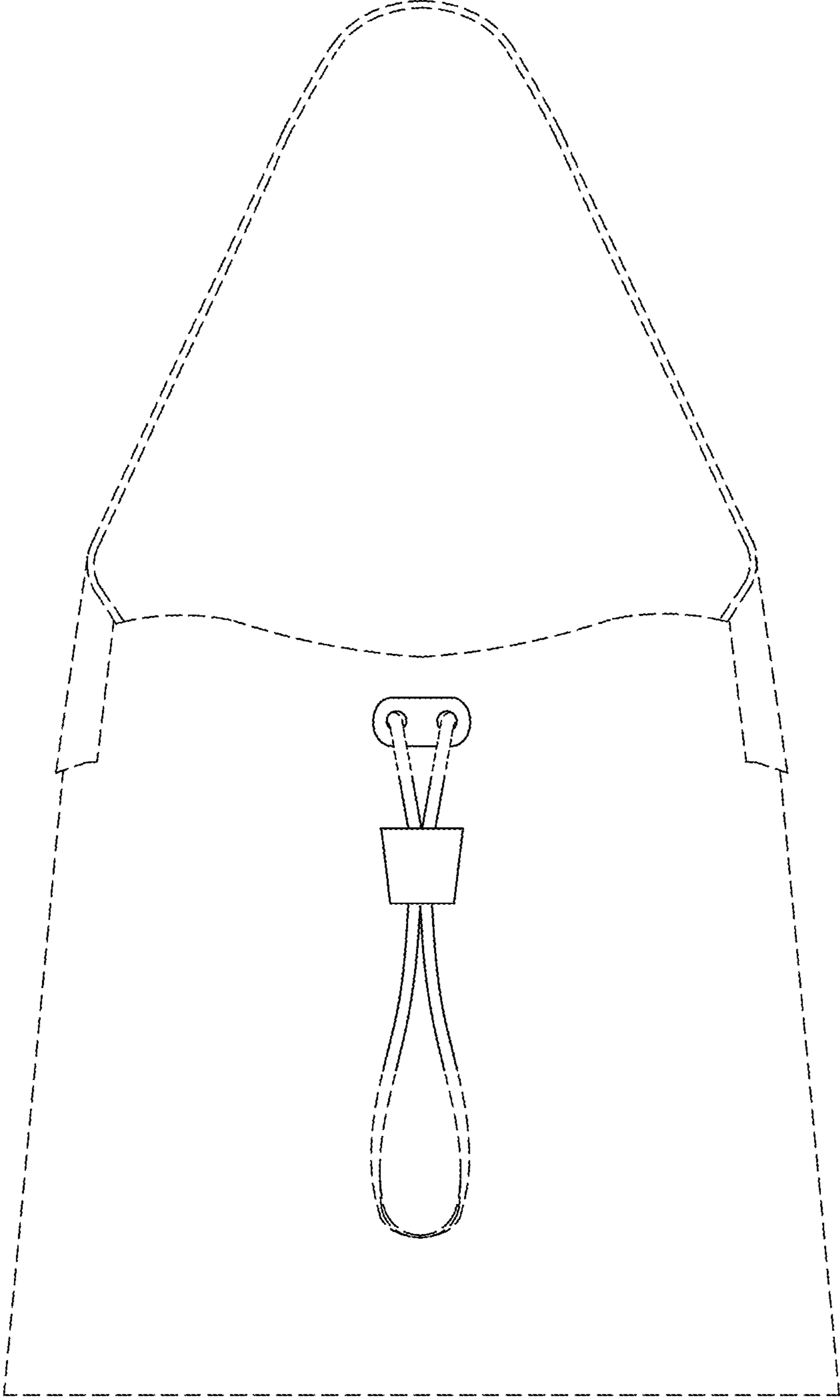


FIG. 2

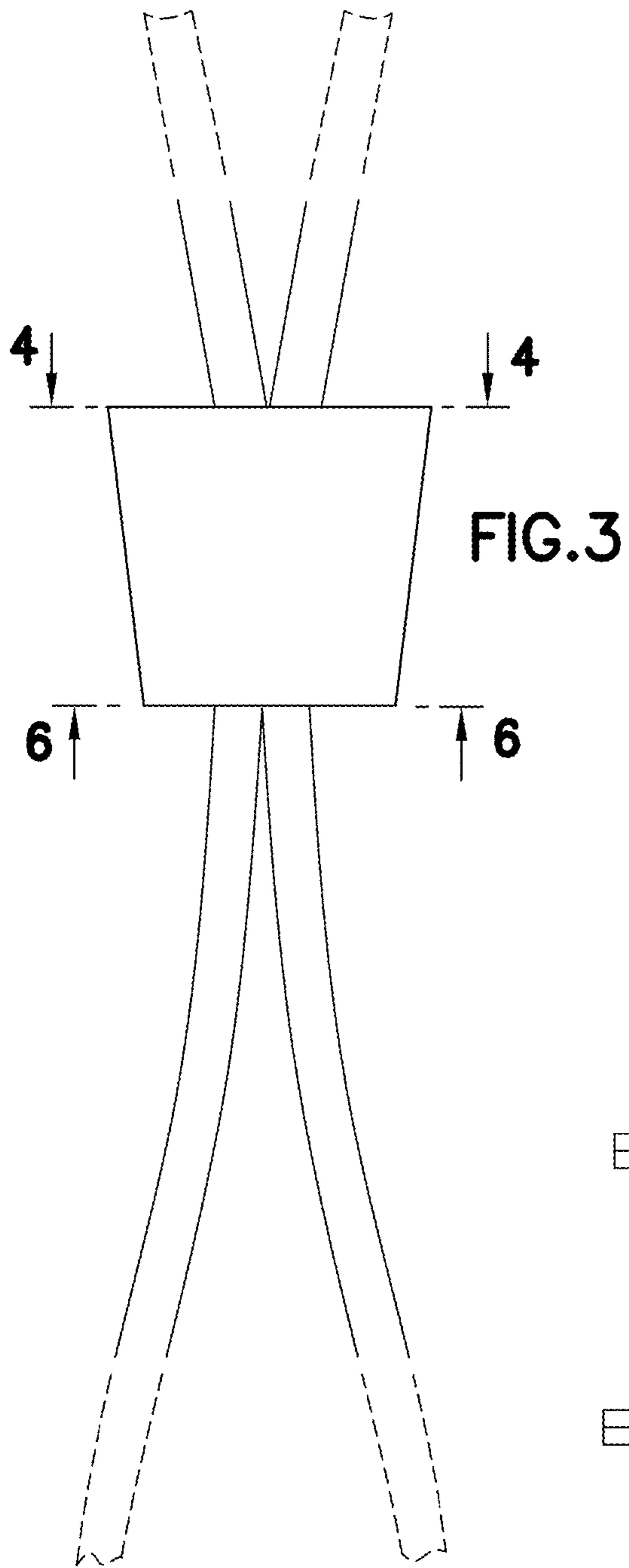


FIG.3

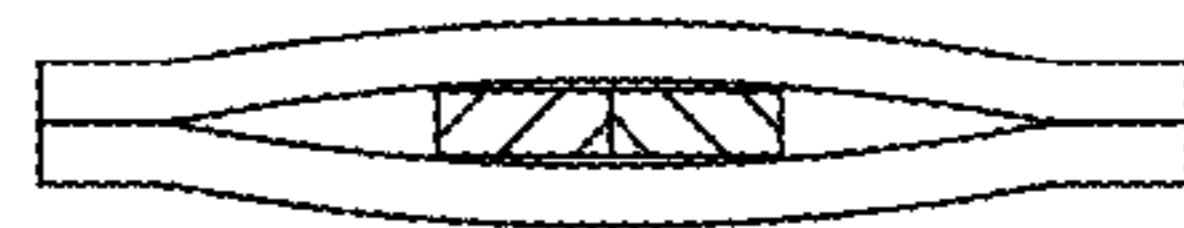


FIG.4



FIG.6

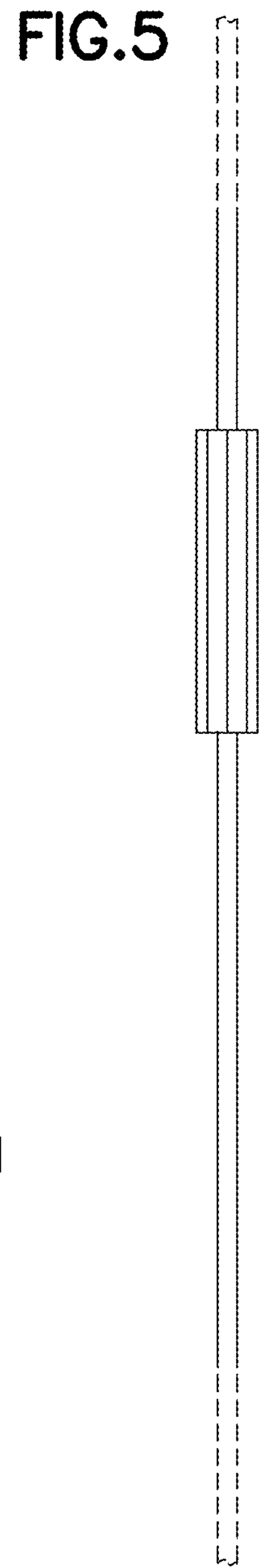


FIG.5

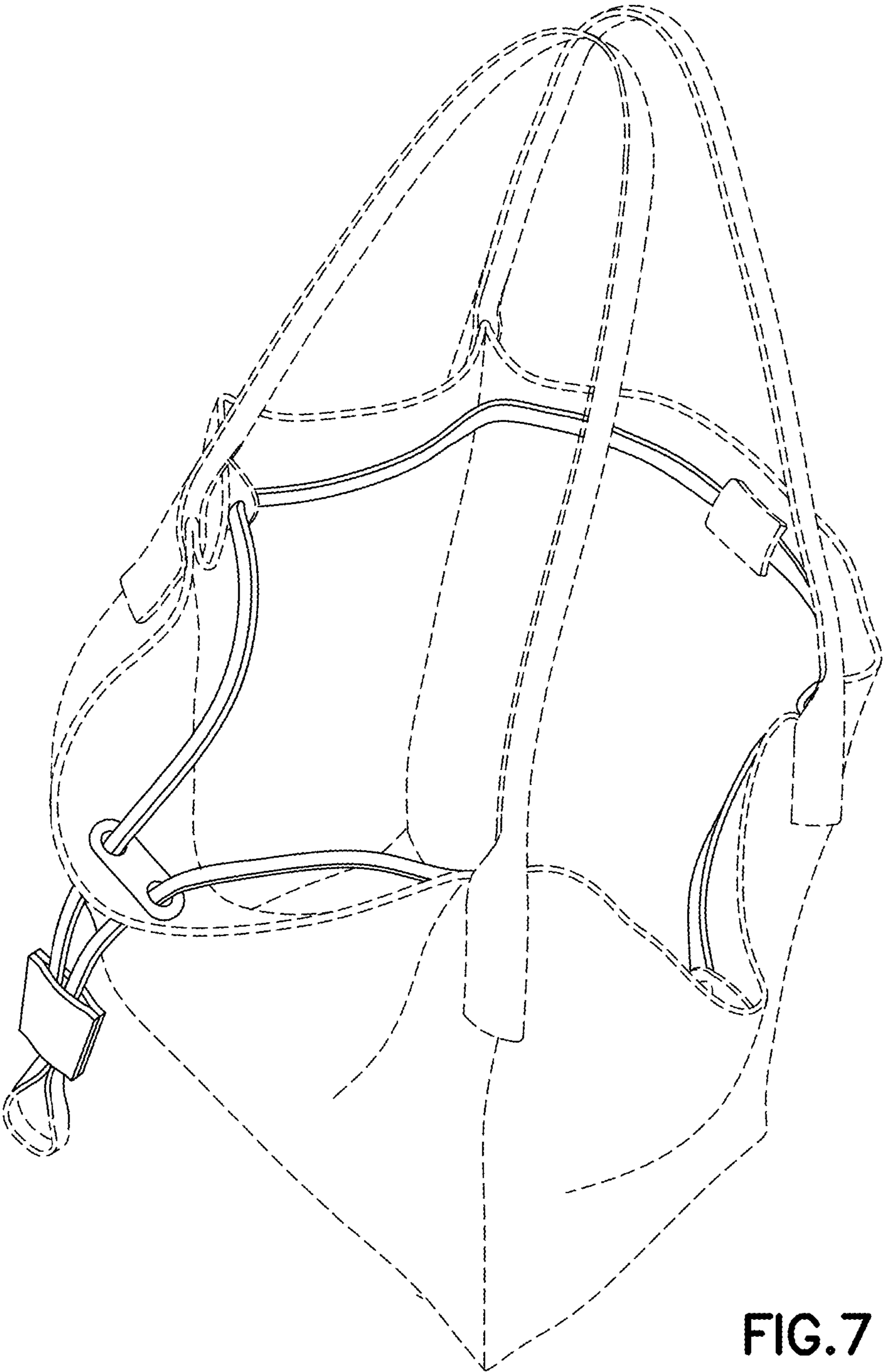


FIG. 7

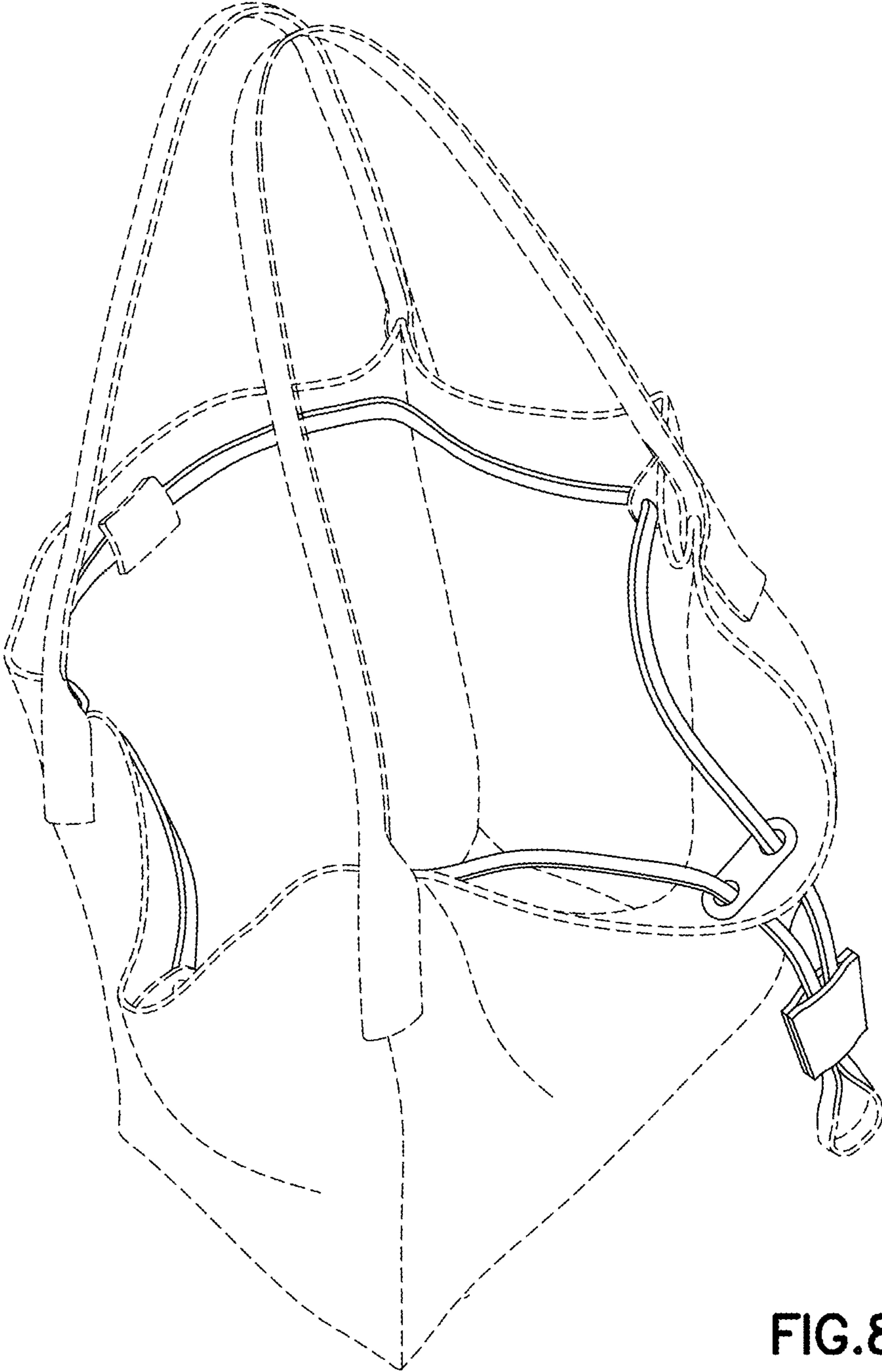


FIG. 8

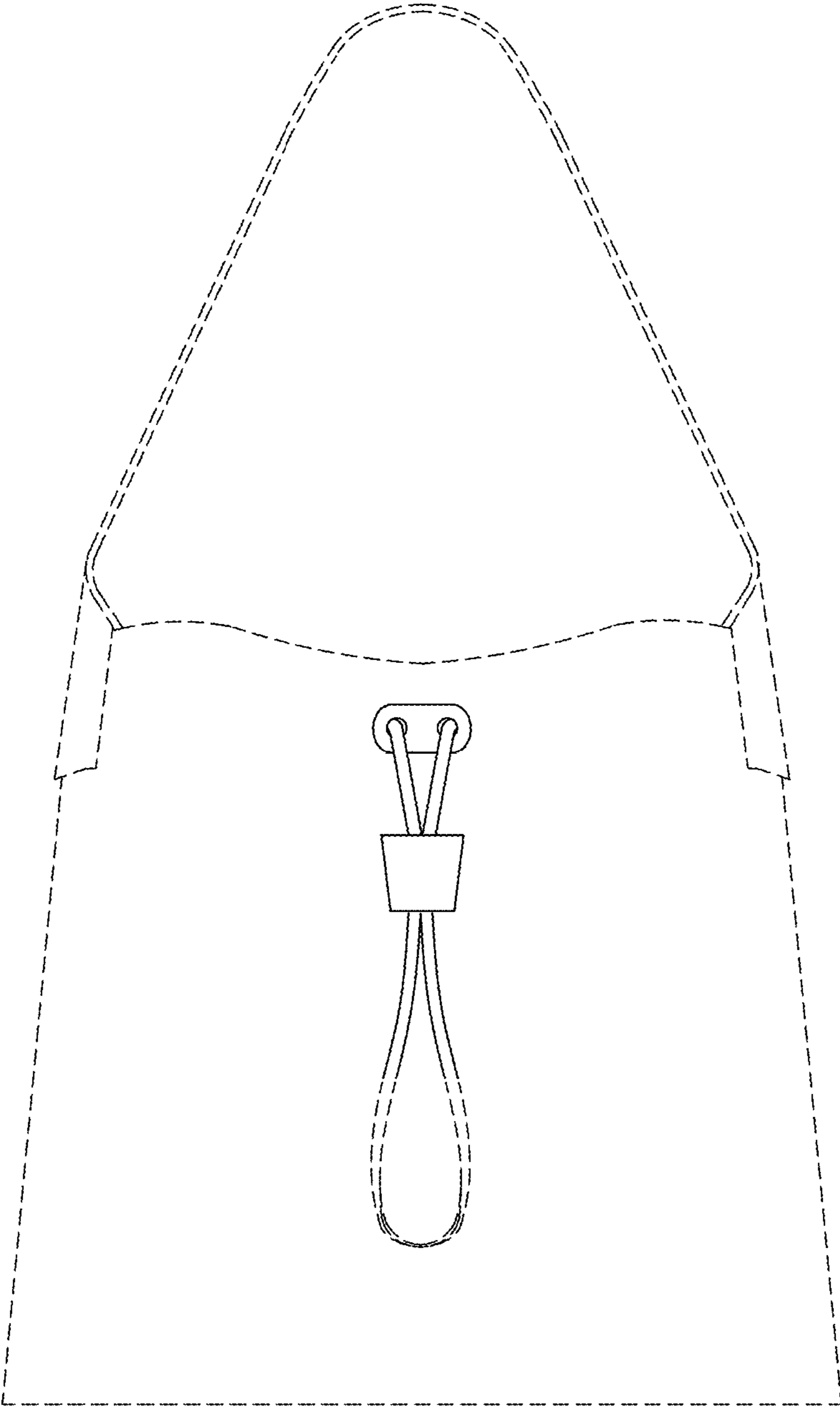


FIG.9

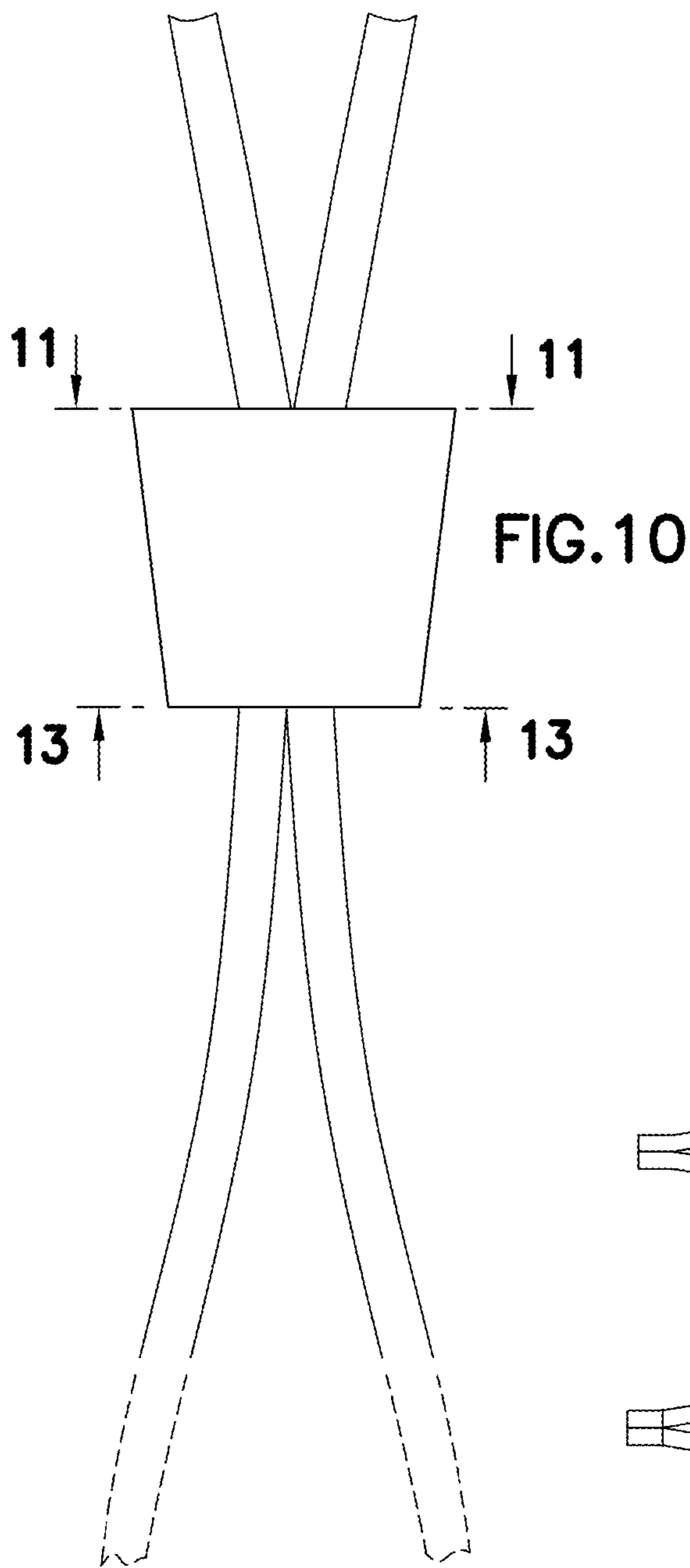


FIG. 12

