



US00D769621S

(12) **United States Design Patent**
Hissong et al.

(10) **Patent No.:** **US D769,621 S**

(45) **Date of Patent:** **** Oct. 25, 2016**

(54) **MOLDED POCKET**

(71) Applicant: **Commercial Sewing, Inc.**, Torrington, CT (US)

(72) Inventors: **Michael E. Hissong**, Torrington, CT (US); **David J. Mazzarelli**, Torrington, CT (US)

(73) Assignee: **COMMERCIAL SEWING, INC.**, Torrington, CT (US)

(**) Term: **14 Years**

(21) Appl. No.: **29/492,407**

(22) Filed: **May 30, 2014**

(51) **LOC (10) Cl.** **03-01**

(52) **U.S. Cl.**
USPC **D3/303**

(58) **Field of Classification Search**
USPC D3/218, 227, 232-233, 239, 240-243, D3/249, 289, 301, 303, 318, 323, 327, 328, D3/900; D12/607, 401, 202, 216; D15/5, D15/18
CPC Y10T 24/2586; Y10T 24/2589; Y10T 24/257; Y10T 24/25; A44B 19/262; A44B 19/26; A44B 19/00; A41F 1/008; A41D 2300/322; A45C 11/324
See application file for complete search history.

(56) **References Cited**

U.S. PATENT DOCUMENTS

D115,805 S * 7/1939 Wright D3/301
D155,480 S * 10/1949 Castelli D3/265

D186,135 S * 9/1959 Watkins D3/265
D403,505 S * 1/1999 Clark D3/265
D414,603 S * 10/1999 Burchett D3/219
D586,559 S * 2/2009 Lyons D3/318
D642,380 S * 8/2011 Yun D3/232
D658,380 S * 5/2012 Divita D3/318
2009/0114550 A1 * 5/2009 Ying A45C 15/00
206/5

* cited by examiner

Primary Examiner — Robert M Spear

Assistant Examiner — Eliza Bennett-Hattan

(74) *Attorney, Agent, or Firm* — Cantor Colburn LLP

(57) **CLAIM**

We claim, the ornamental design for a molded pocket, as shown and described.

DESCRIPTION

FIG. 1 is a perspective view of a molded pocket, showing my new design;

FIG. 2 is a top plan view of the molded pocket of FIG. 1;

FIG. 3 is a bottom plan view of the embodiment shown in FIG. 1;

FIG. 4 is a front view of the embodiment shown in FIG. 1;

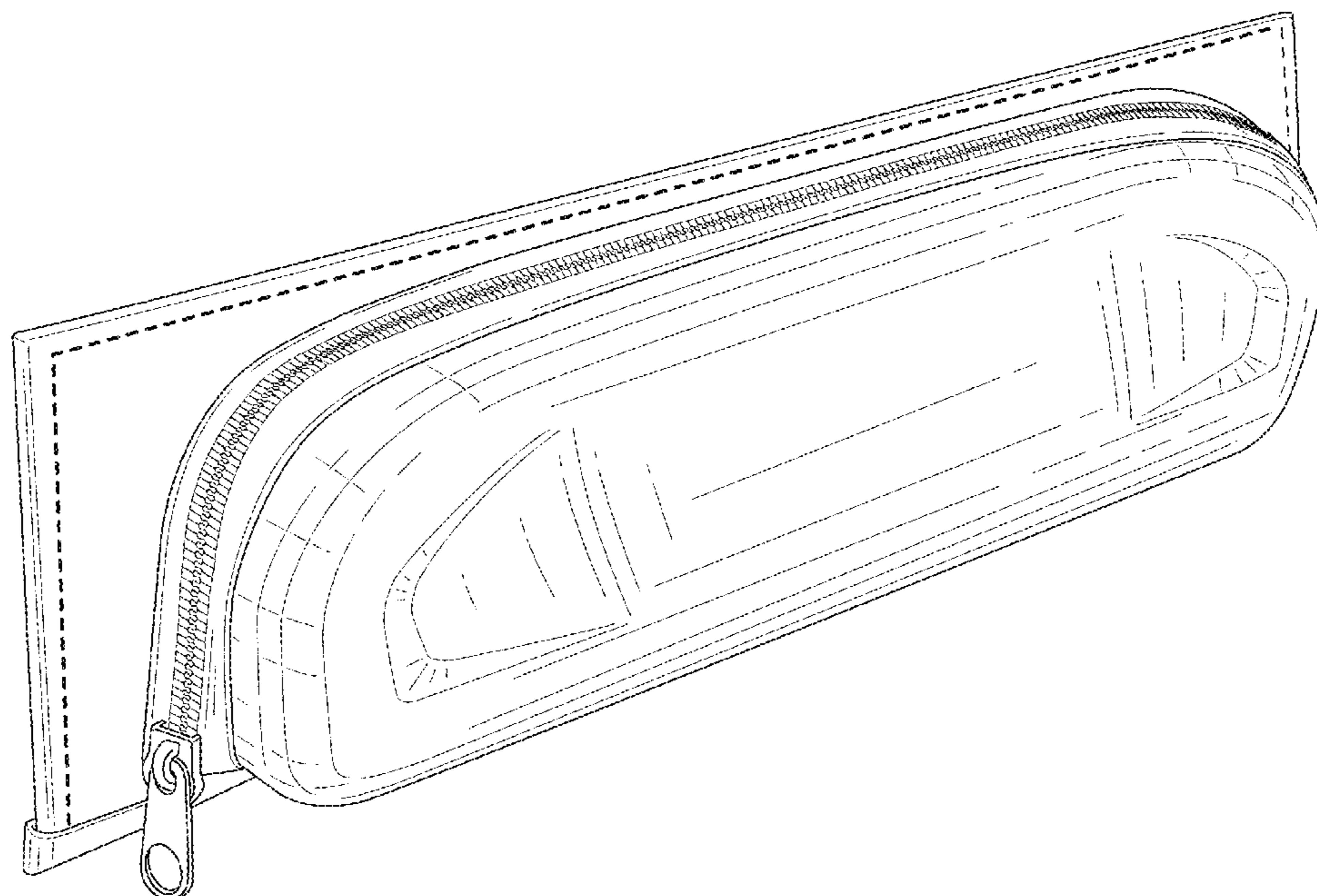
FIG. 5 is a back view of the embodiment shown in FIG. 1;

FIG. 6 is a side elevation view of the embodiment shown in FIG. 1; and,

FIG. 7 is another side elevation view of the molded pocket of FIG. 1.

The broken lines depict environmental subject matter only and form no part of the claimed design.

1 Claim, 6 Drawing Sheets



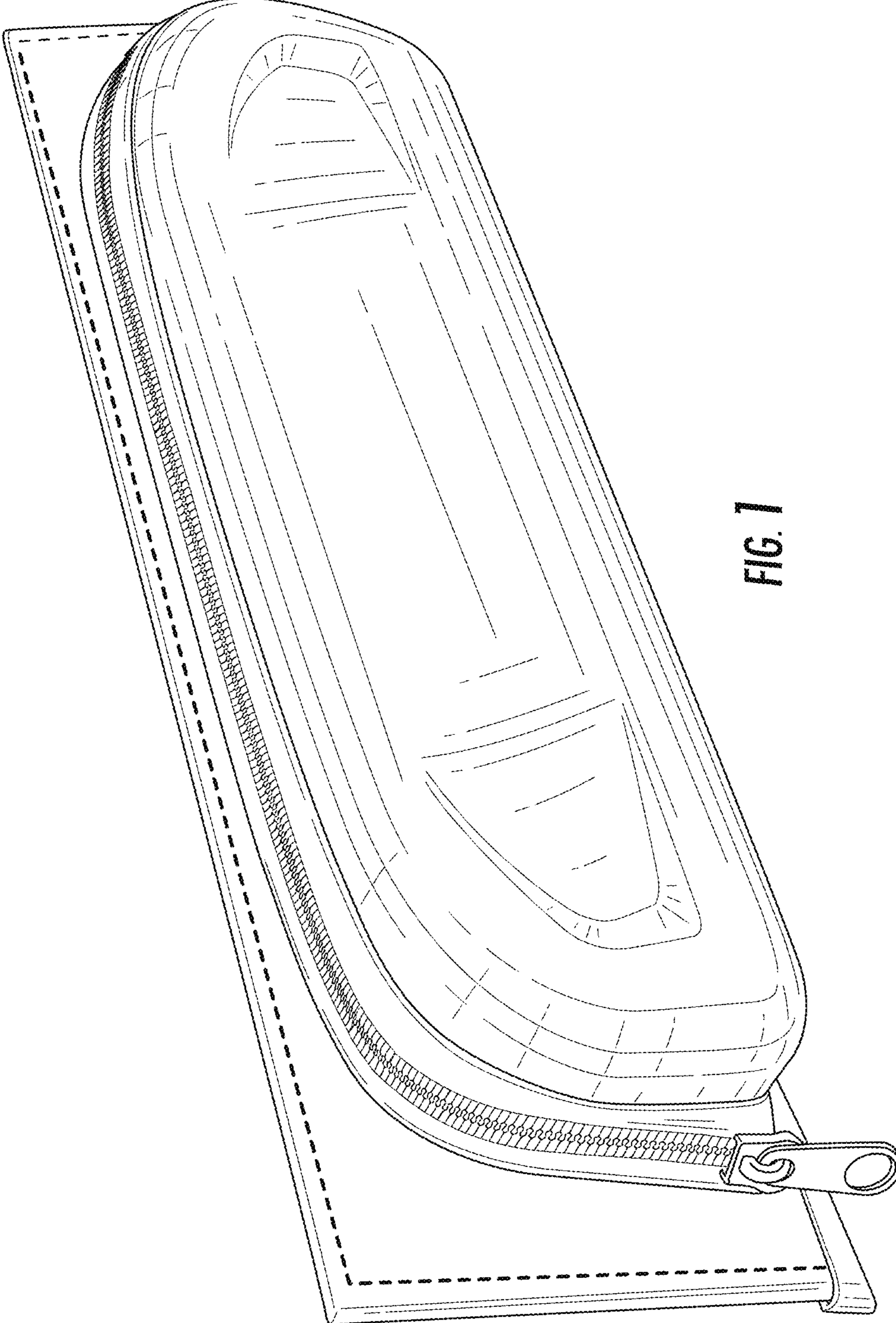


FIG. 1

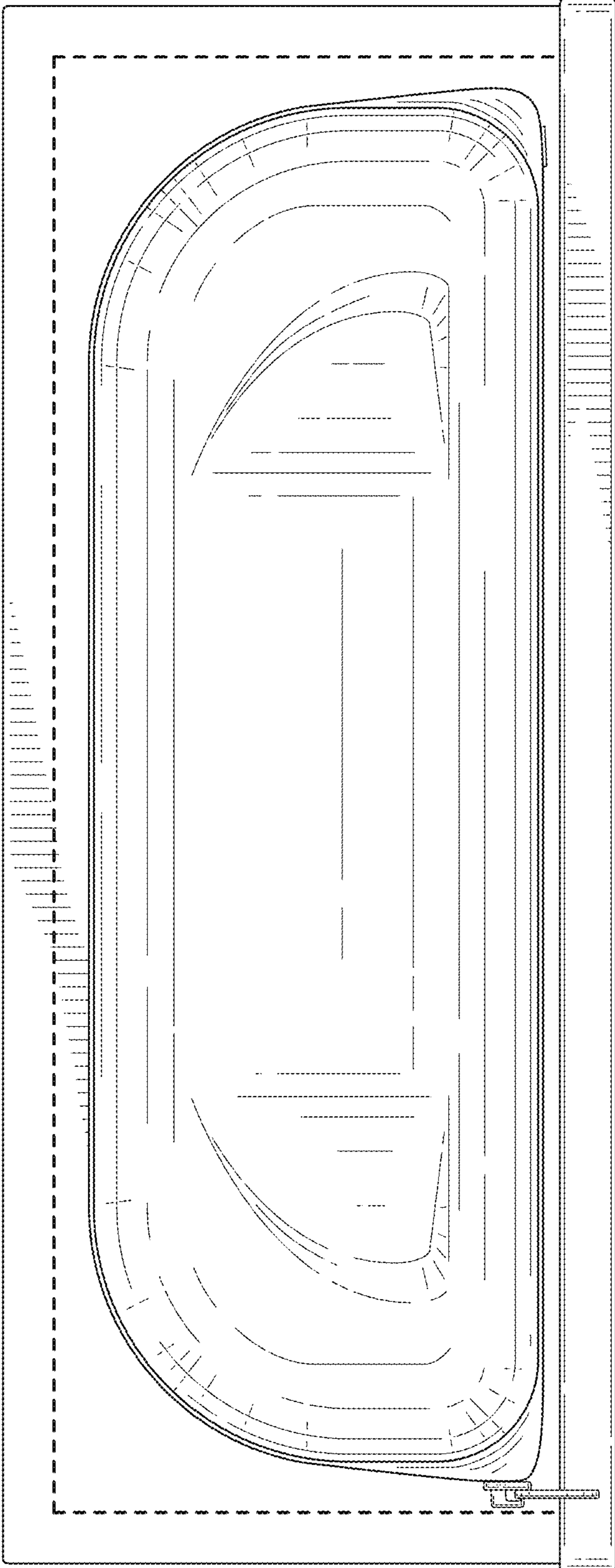


FIG. 2

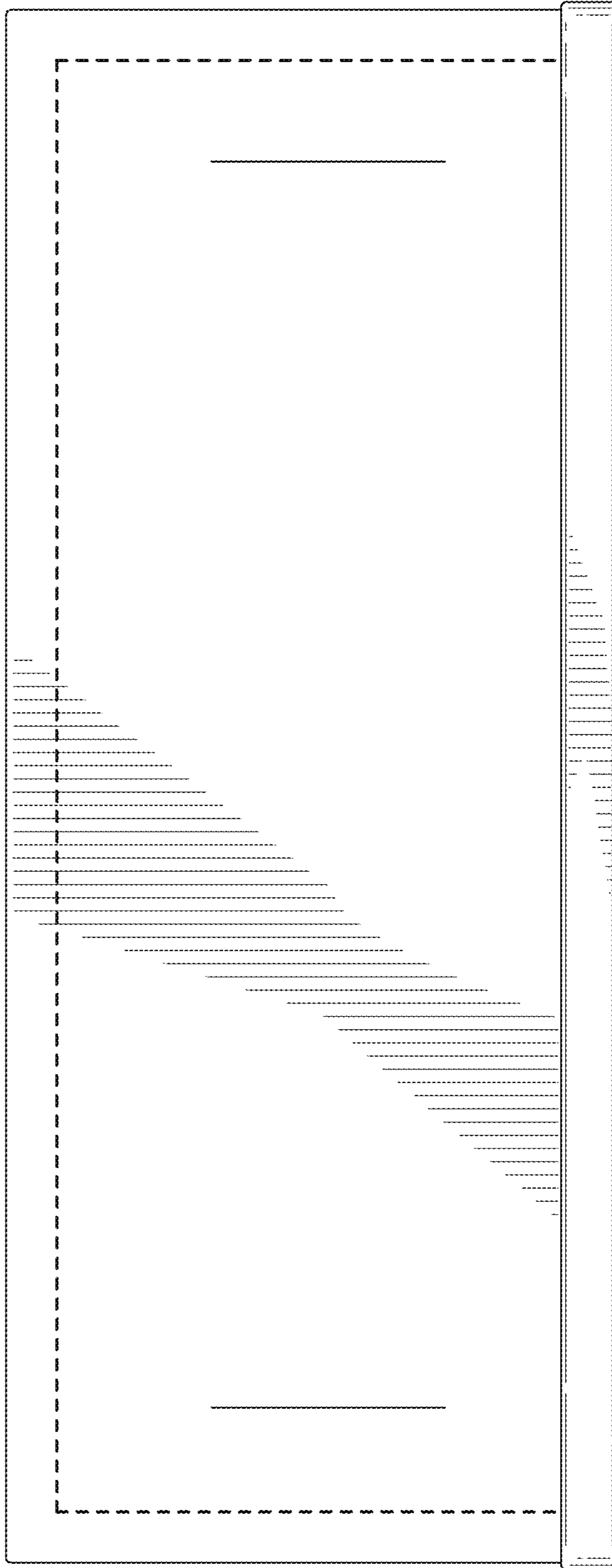


FIG. 3

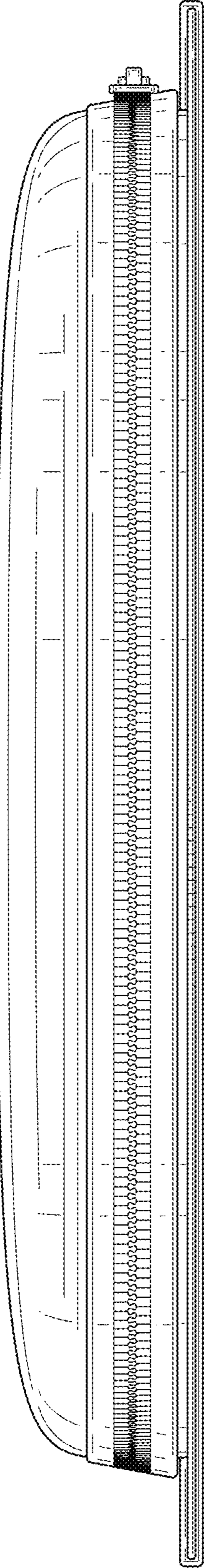


FIG. 4

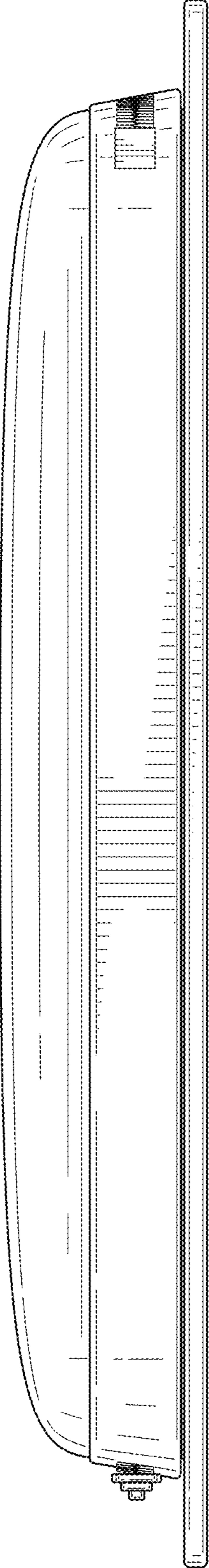


FIG. 5

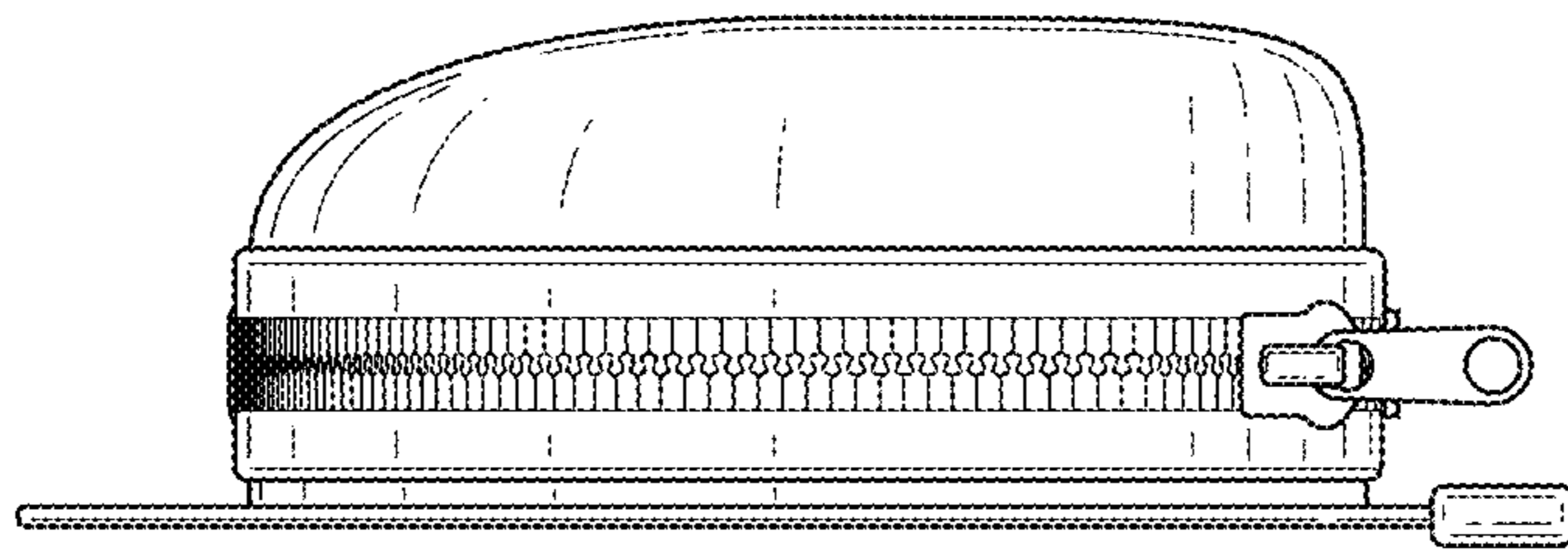


FIG. 6

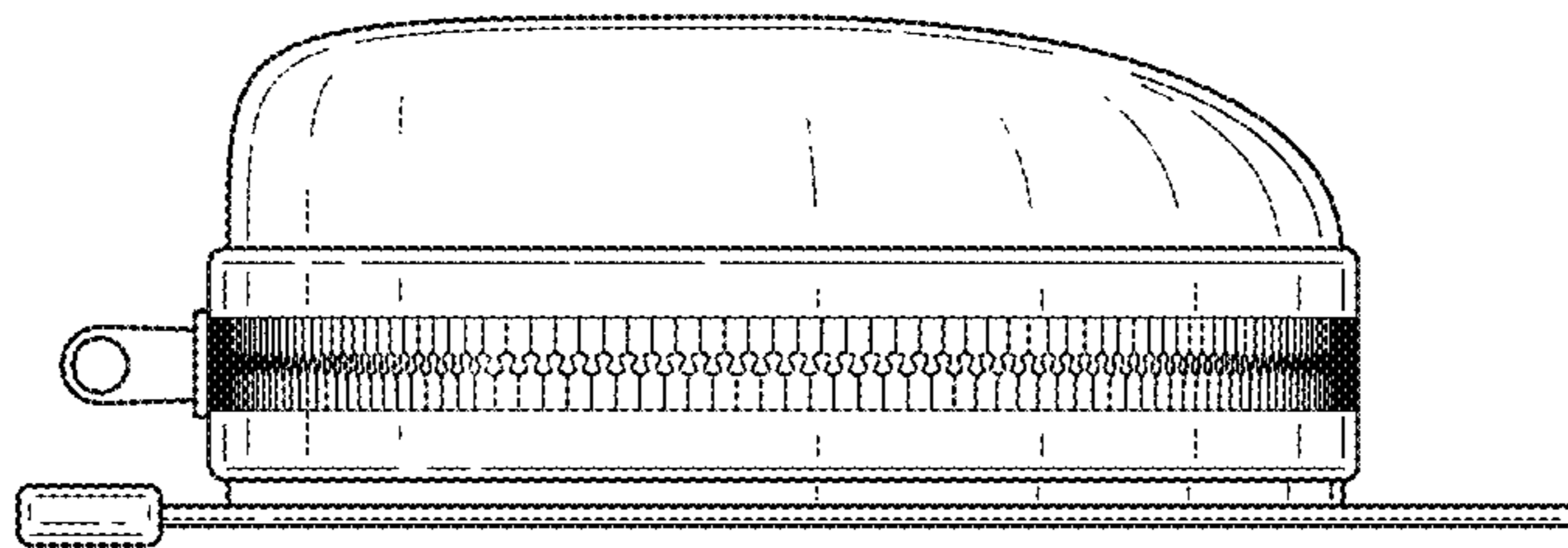


FIG. 7