

US00D769618S

(12) **United States Design Patent** (10) **Patent No.:** **US D769,618 S**
Szal (45) **Date of Patent:** **** *Oct. 25, 2016**

(54) **STORAGE CASE**
(71) Applicant: **Timothy N. Szal**, Newton, MA (US)
(72) Inventor: **Timothy N. Szal**, Newton, MA (US)
(*) Notice: This patent is subject to a terminal disclaimer.
(**) Term: **14 Years**
(21) Appl. No.: **29/491,760**
(22) Filed: **May 23, 2014**
(51) **LOC (10) Cl.** **03-01**
(52) **U.S. Cl.**
USPC **D3/270**
(58) **Field of Classification Search**
USPC D3/269, 270, 271.1, 271.11; D9/673;
D21/545, 542; D12/308; 114/331, 332
CPC A63H 23/02; A63H 23/04; A63H 23/06;
A63H 23/10
See application file for complete search history.

(56) **References Cited**
U.S. PATENT DOCUMENTS
3,160,133 A * 12/1964 Walker A63H 23/00
114/245
3,683,835 A * 8/1972 Deslierres B63G 8/24
114/331
D245,529 S * 8/1977 Hudson D21/545
D275,300 S * 8/1984 Mancini D12/112
D304,923 S * 12/1989 Pado D12/308
D415,464 S * 10/1999 Frechette D12/308
D470,544 S * 2/2003 Uetake D21/545
D503,754 S * 4/2005 Winston D21/545

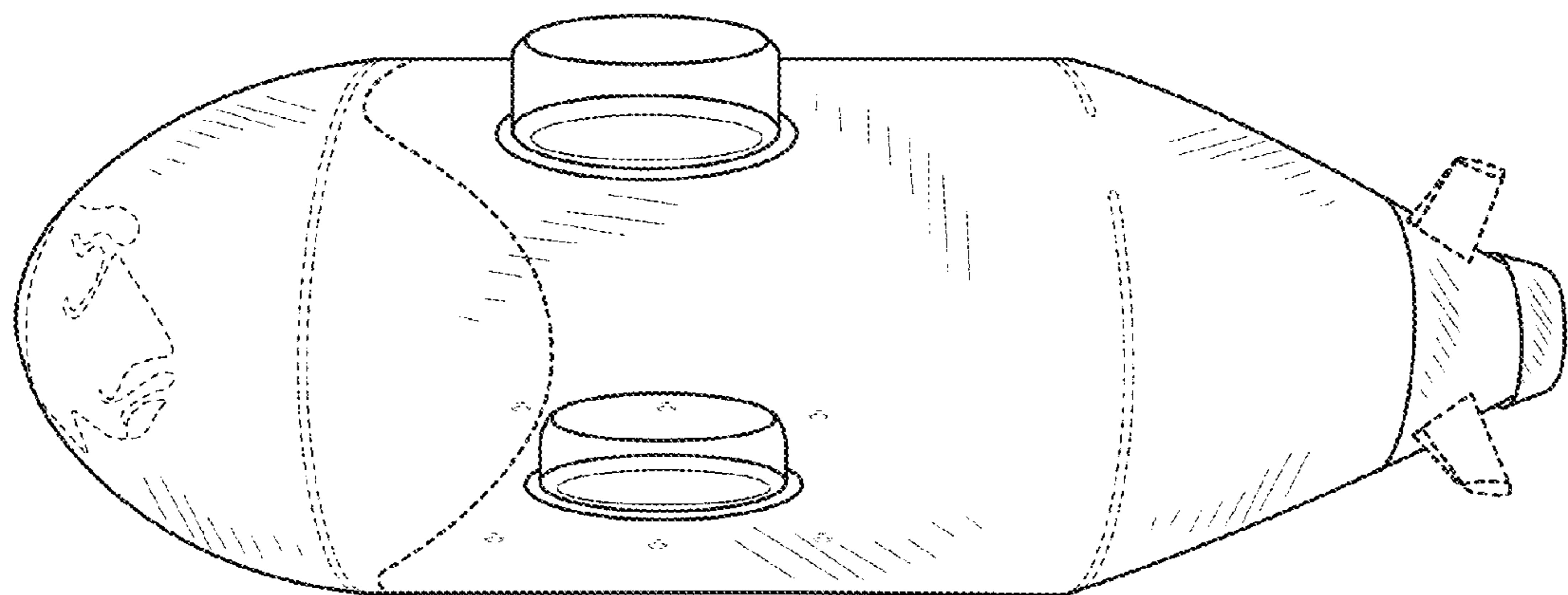
8,011,993 B1 * 9/2011 Thompson A63H 23/04
446/153
D684,220 S * 6/2013 Komuku D21/545
D733,634 S * 7/2015 De Camargo Aranha ... D12/308
2005/0208867 A1 * 9/2005 Higashida A63H 30/04
446/154
2007/0128970 A1 * 6/2007 Mietta A63H 23/04
446/154

* cited by examiner
Primary Examiner — Cynthia Ramirez
(74) *Attorney, Agent, or Firm* — Travis L. Johnson;
David S. Einfeldt

(57) **CLAIM**
The ornamental design for a storage case, as shown and described.

DESCRIPTION
FIG. 1 is a side perspective view of a storage case showing my new design;
FIG. 2 is a front view thereof;
FIG. 3 is a back view thereof;
FIG. 4 is a top view thereof;
FIG. 5 is a bottom view thereof;
FIG. 6 is a side view thereof;
FIG. 7 is a perspective view having the cap removed; and,
FIG. 8 is a perspective of the removed cap.
The broken lines shown in the figures are included for the purpose of illustrating environment and form no part of the claimed design.
The case and the cap are shown removed in FIGS. 7 and 8 respectively for convenience of illustration.

1 Claim, 5 Drawing Sheets



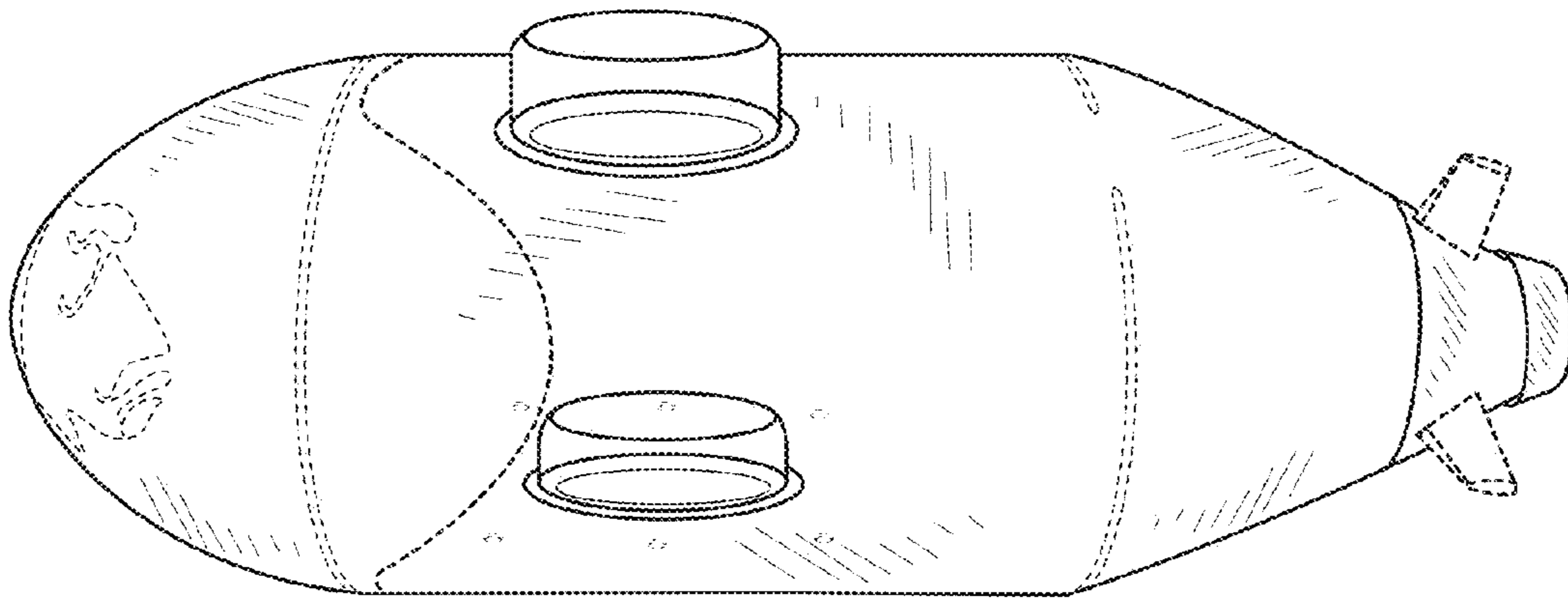


FIG. 1

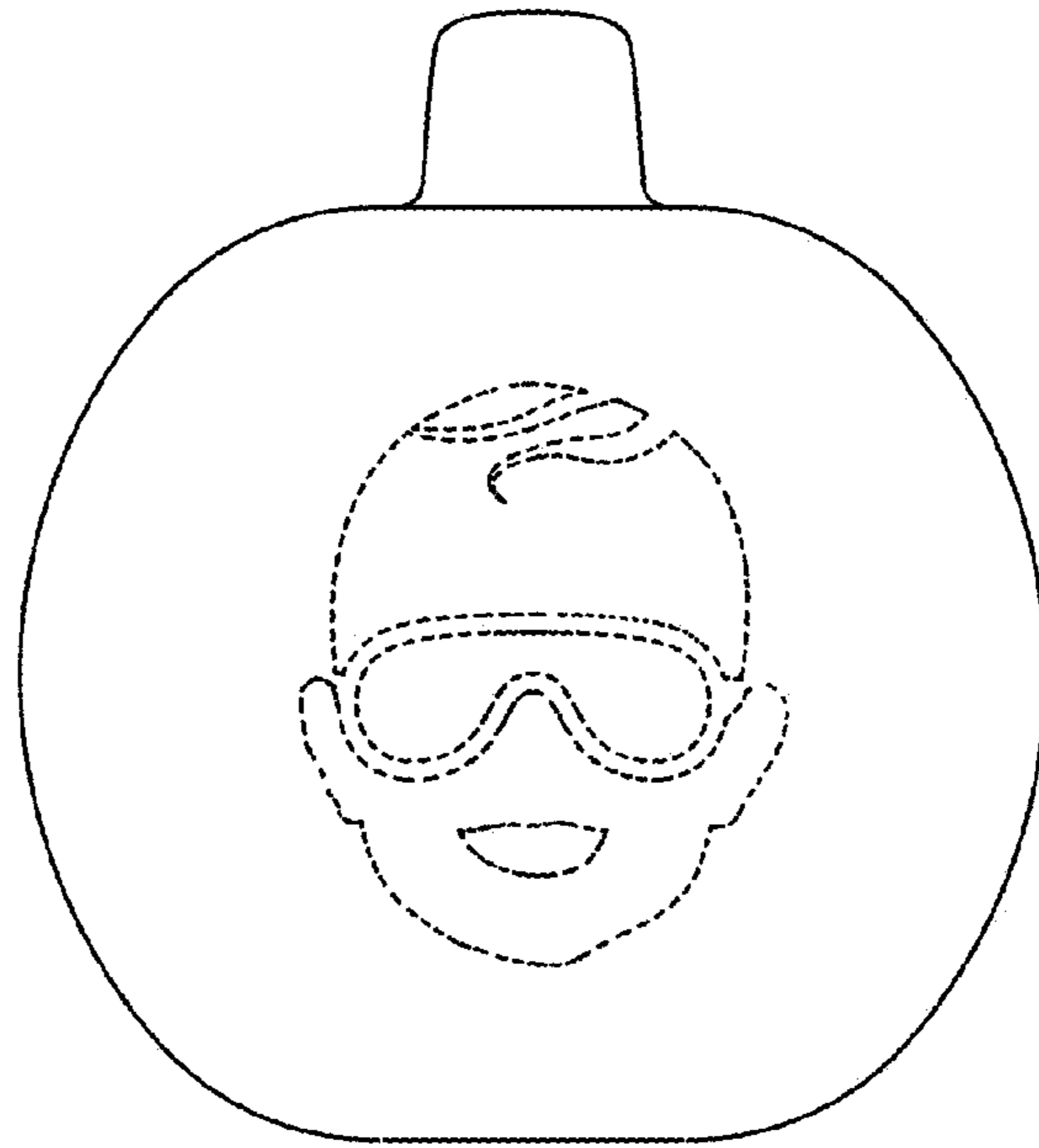


FIG. 2

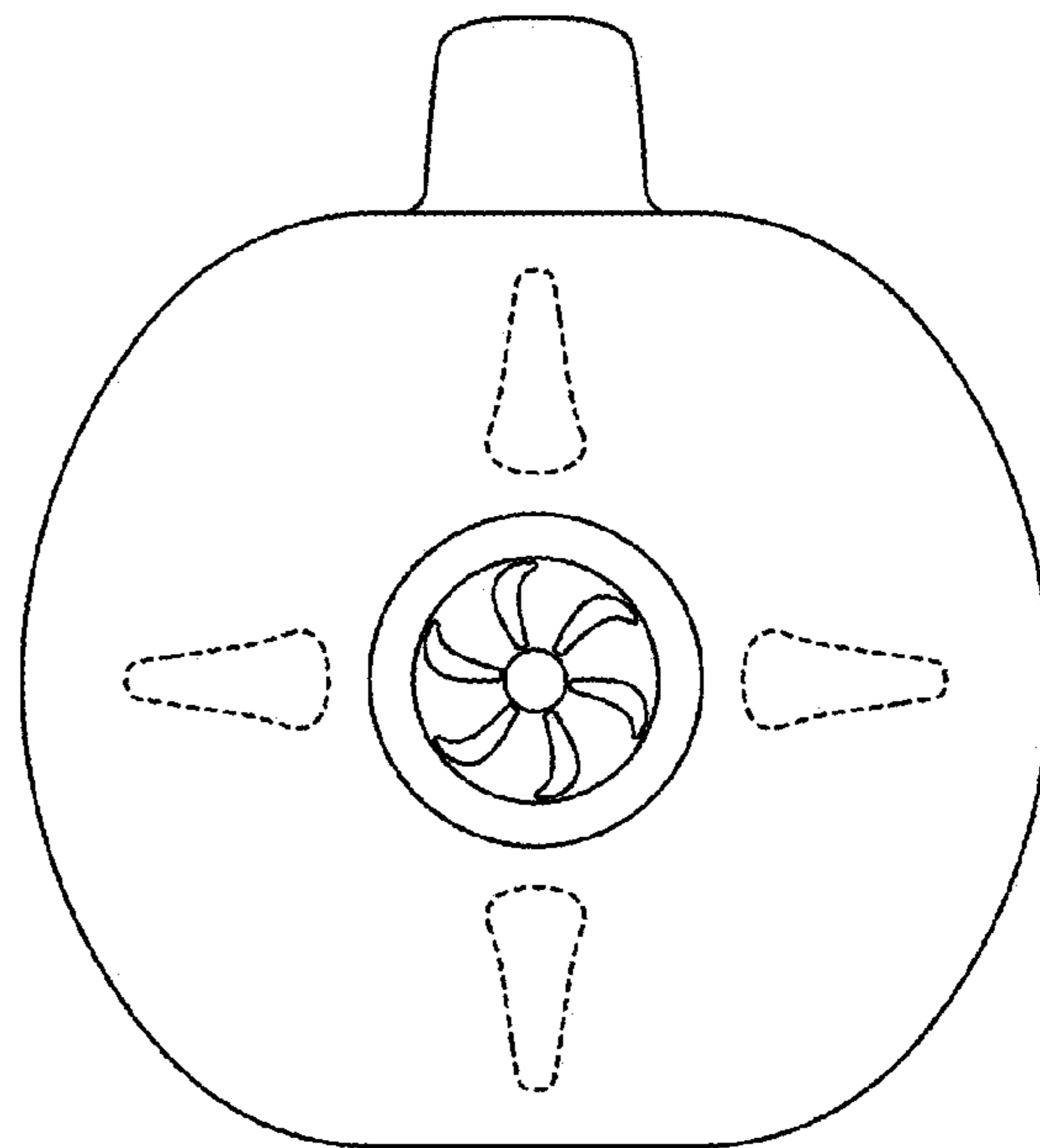


FIG. 3

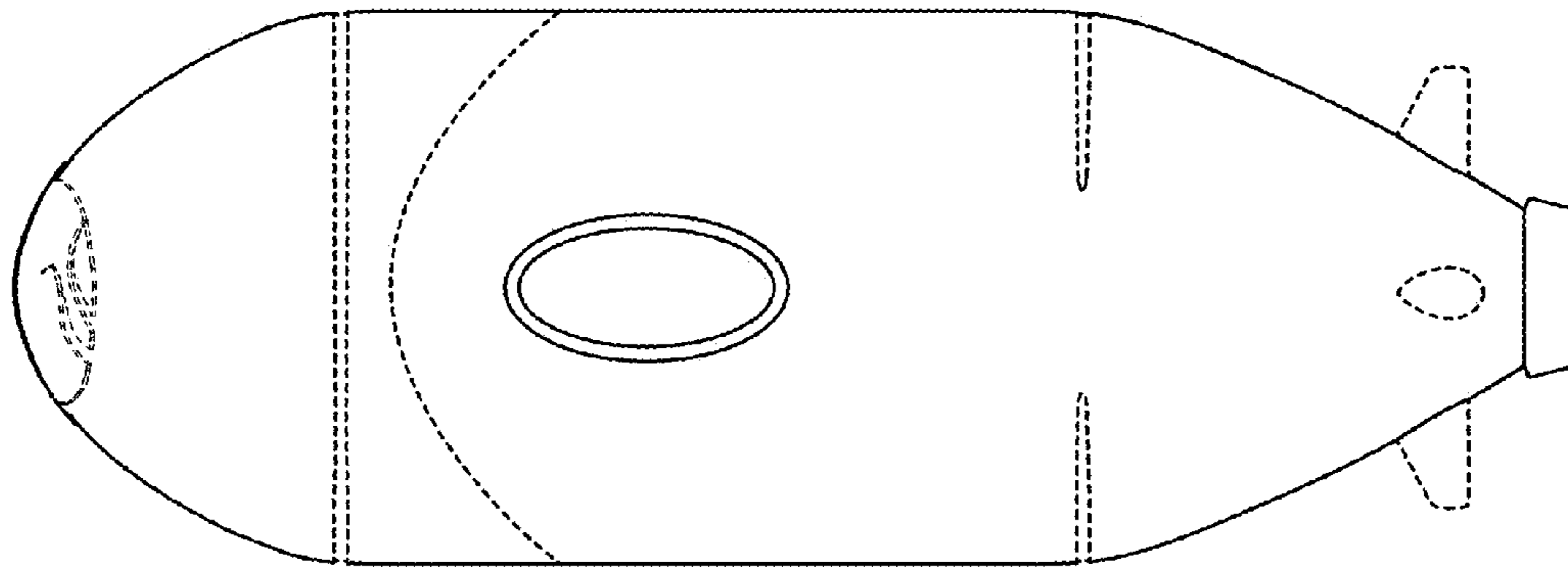


FIG. 4

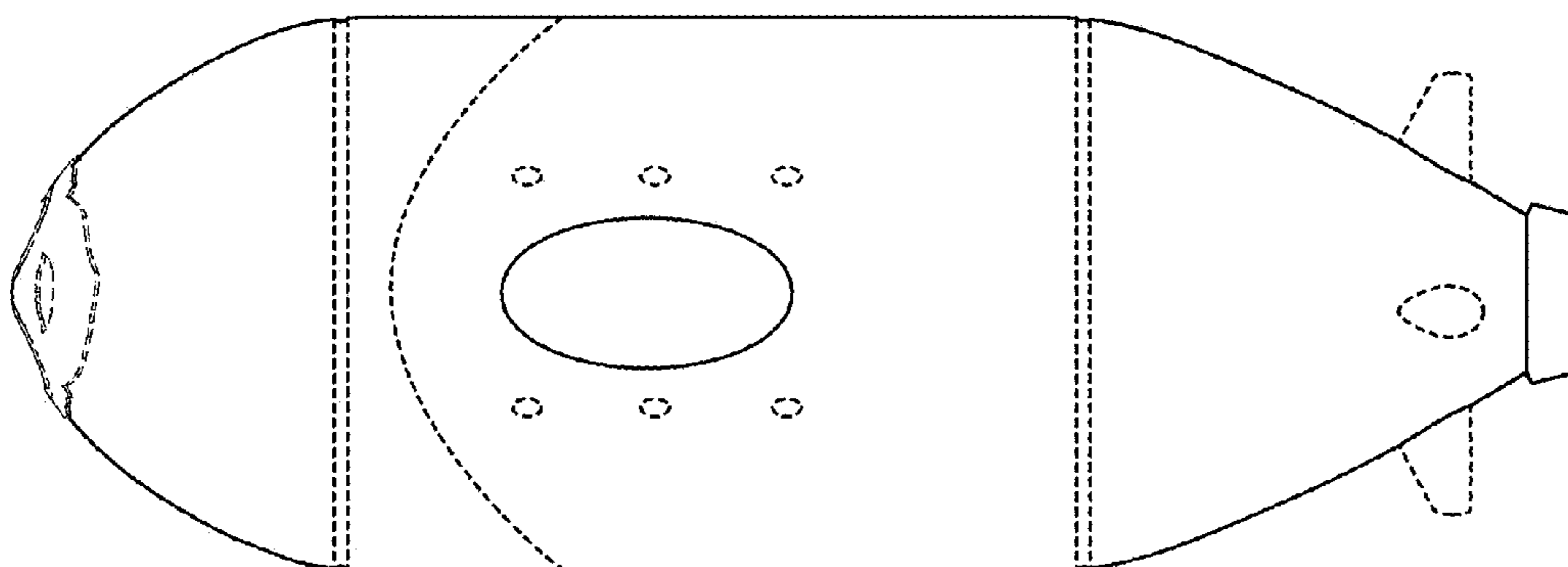


FIG. 5

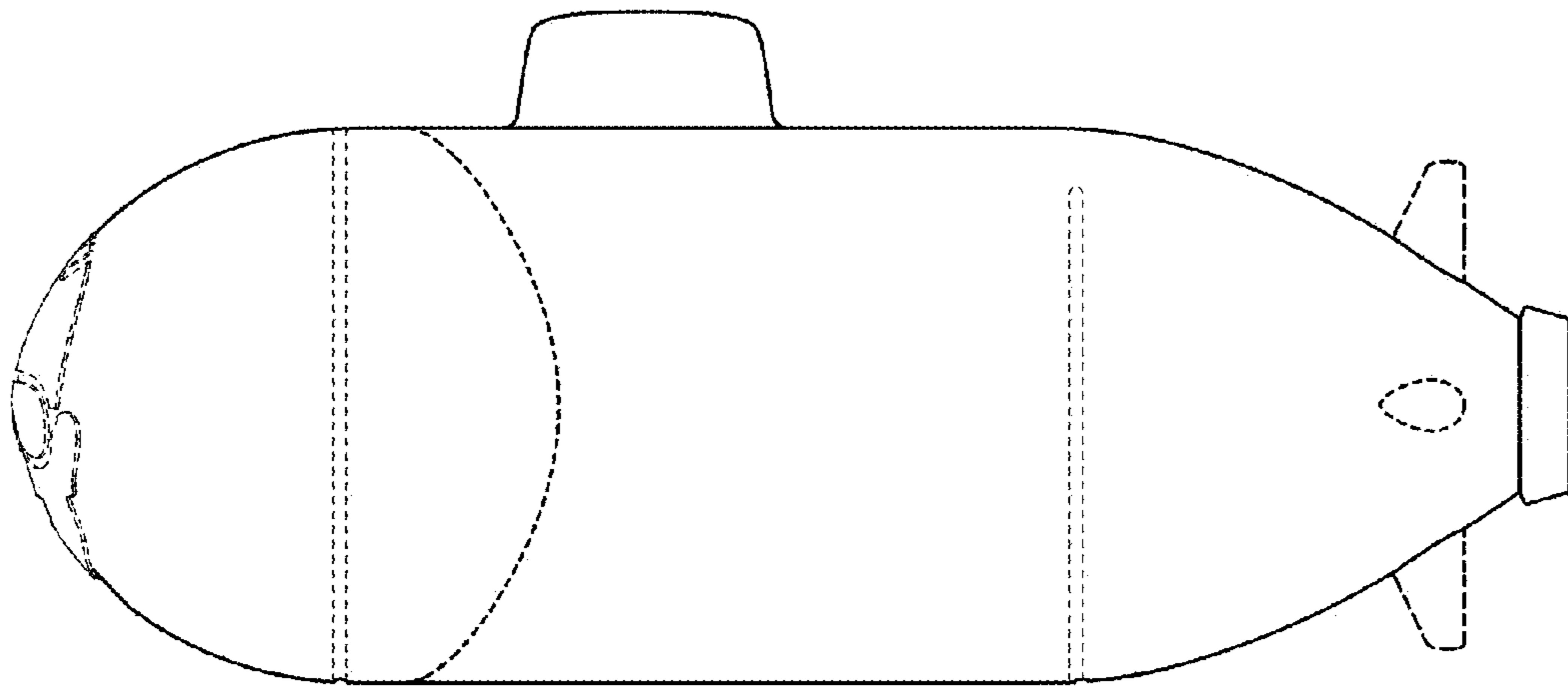


FIG. 6

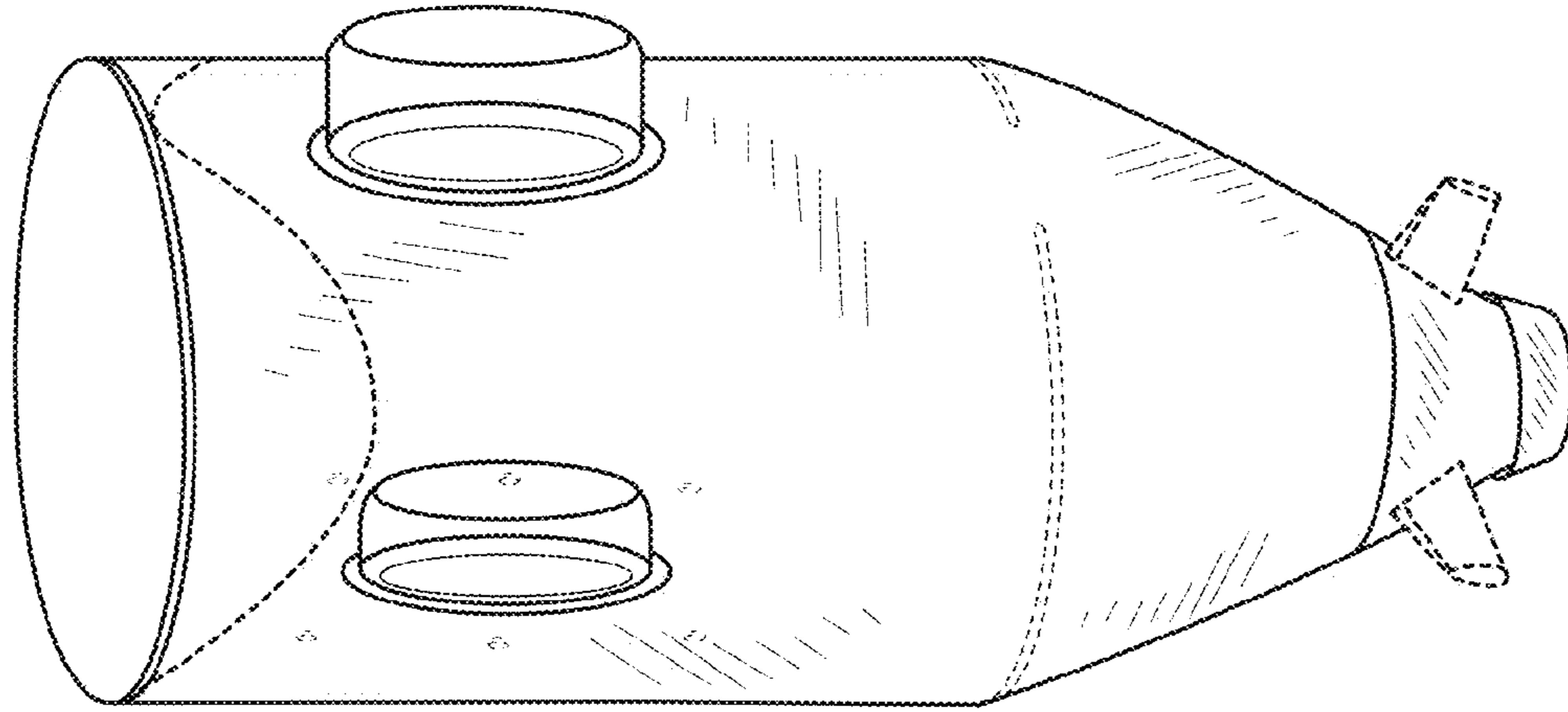


FIG. 7

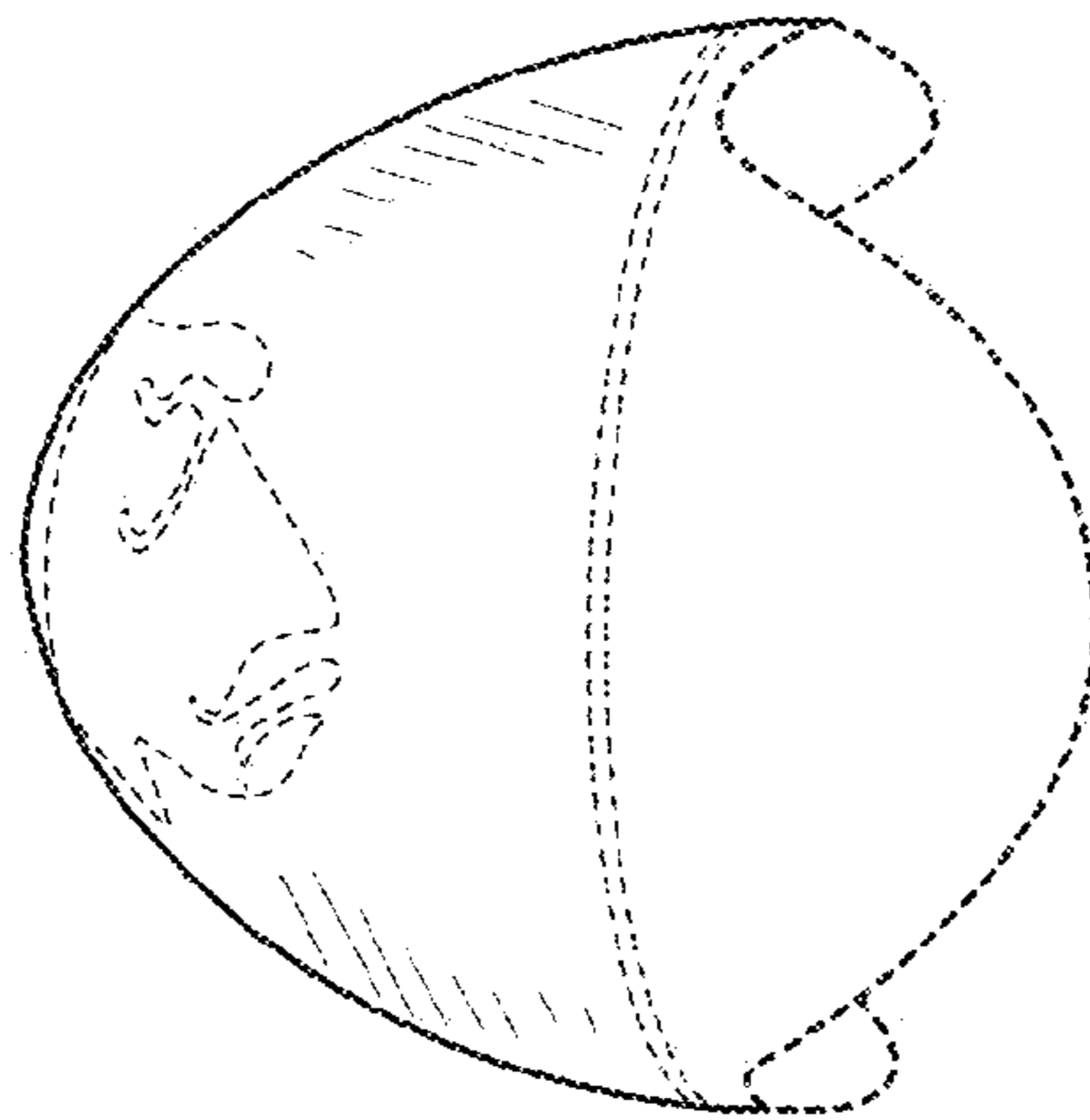


FIG. 8