



US00D769614S

(12) **United States Design Patent** (10) **Patent No.:** **US D769,614 S**
Nejjar (45) **Date of Patent:** **** *Oct. 25, 2016**

(54) **WAISTBAND PACK**

FOREIGN PATENT DOCUMENTS

(71) Applicant: **Lisa Nejjar**, St. Johns, FL (US)

WO WO2013033226 3/2013

(72) Inventor: **Lisa Nejjar**, St. Johns, FL (US)

OTHER PUBLICATIONS

(*) Notice: This patent is subject to a terminal disclaimer.

Fitfannypack—Timeline | Facebook, <https://www.facebook.com/Fitfannypack/timeline?ref=page_internal>, Dec. 29, 2012-Oct. 1, 2014, printed on Oct. 1, 2014.

(**) Term: **14 Years**

(Continued)

(21) Appl. No.: **29/516,153**

(22) Filed: **Jan. 29, 2015**

Primary Examiner — Catheri Oliver-Garcia

(51) **LOC (10) Cl.** **03-01**

(74) *Attorney, Agent, or Firm* — Hanrahan Law Firm, P.A.; Benjamin M. Hanrahan

(52) **U.S. Cl.**
USPC **D3/226**

(58) **Field of Classification Search**
USPC D3/215, 221, 226, 224, 228, 232–248;
D2/624–631; 224/236, 240–241, 245,
224/401, 581, 583, 660, 674, 677, 585, 901,
224/904
CPC A45F 3/00; A45F 3/005; A45F 5/00;
A45F 2003/144

See application file for complete search history.

(57) **CLAIM**

The ornamental design for a waistband pack, as shown and described.

DESCRIPTION

(56) **References Cited**

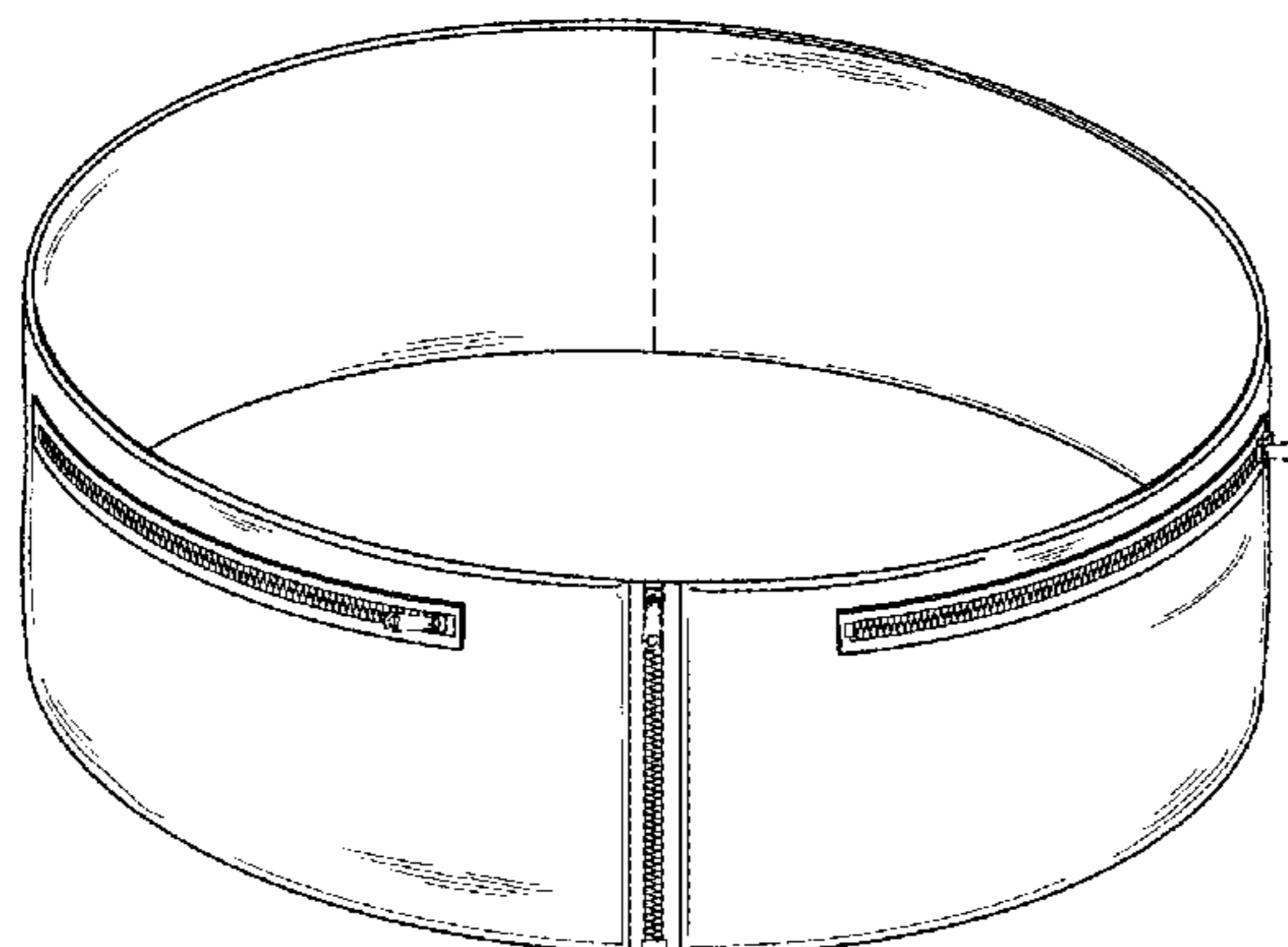
U.S. PATENT DOCUMENTS

1,920,061 A	7/1933	Carr
2,386,708 A	10/1945	Morrison
2,492,862 A	12/1949	Harvey
2,681,453 A	6/1954	Lane
2,733,712 A	2/1956	Wuesthoff
3,931,917 A	1/1976	Zellmer
D261,196 S	10/1981	Griffin
4,446,574 A	5/1984	Kalomeris
D278,761 S	5/1985	Fuller
4,525,879 A	7/1985	Kalomeris
4,634,031 A	1/1987	Frankhouse
5,020,711 A	6/1991	Kelley
5,096,103 A	3/1992	Baugh
5,119,513 A	6/1992	McKay
5,794,769 A	8/1998	Tomlinson et al.
D397,838 S	9/1998	Waggoner et al.
6,325,260 B1	12/2001	Gorham
6,435,392 B1	8/2002	Kennedy

(Continued)

FIG. 1 is a perspective view illustrating my design for a waistband pack with the ends thereof engaged.
FIG. 2 is a front perspective view with the ends thereof disengaged.
FIG. 3 is a front view thereof.
FIG. 4 is a rear view thereof.
FIG. 5 is a top view thereof.
FIG. 6 is a bottom view thereof.
FIG. 7 is a left side view thereof; and,
FIG. 8 is a right side view thereof.
The broken straight line illustrated in FIGS. 1 through 6 represent a seam which is not part of the claimed design and is presented for illustrative purposes only. Furthermore, the zipper clasps or handles illustrated in FIGS. 1 through 8 are also presented in broken lines, and thus form no part of the claimed design.

1 Claim, 4 Drawing Sheets



(56)

References Cited

U.S. PATENT DOCUMENTS

D553,853 S	10/2007	Willows et al.
D612,150 S	3/2010	Overton
D615,753 S	5/2010	Pomerantz
D618,907 S	7/2010	Overton
D630,841 S	1/2011	Pomerantz
8,104,654 B2	1/2012	Overton
D691,795 S	10/2013	Do
D724,316 S	3/2015	Nejjar
D740,549 S	10/2015	Nejjar
2008/0073400 A1	3/2008	Swartz et al.
2008/0190980 A1	8/2008	Overton
2010/0000003 A1	1/2010	O.
2013/0048687 A1	2/2013	Do
2013/0048695 A1	2/2013	Do

OTHER PUBLICATIONS

- Fitfannypack—Photos | Facebook, <<https://www.facebook.com/Fitfannypack/photos/pb.306014389518911.-2207520000.1412188585./306025866184430/?type=3&theater>>, Dec. 29, 2012, printed on Oct. 1, 2014.
- Fitfannypack—Photos | Facebook, <<https://www.facebook.com/Fitfannypack/photos/pb.306014389518911.-2207520000.1412190010./330304977089852/?type=3&theater>>, Feb. 7, 2013, printed on Oct. 1, 2014.
- Fitfannypack—Photos | Facebook, <<https://www.facebook.com/Fitfannypack/photos/pb.306014389518911.-2207520000.1412190010./332693636850986/?type=3&theater>>, Feb. 11, 2013, printed on Oct. 1, 2014.
- Fitfannypack—Photos | Facebook, <<https://www.facebook.com/Fitfannypack/photos/pb.306014389518911.-2207520000.1412190004./382429901877359/?type=3&theater>>, May 24, 2013, printed on Oct. 1, 2014.
- Fitfannypack—Photos | Facebook, <<https://www.facebook.com/Fitfannypack/photos/pb.306014389518911.-2207520000.1412190000./403376669782682/?type=3&theater>>, Jul. 3, 2013, printed on Oct. 1, 2014.
- Fitfannypack—Photos | Facebook, <<https://www.facebook.com/Fitfannypack/photos/pb.306014389518911.-2207520000.1412189995./470969676356714/?type=3&theater>>, Nov. 9, 2013, printed on Oct. 1, 2014.
- Fitfannypack—Photos | Facebook, <<https://www.facebook.com/Fitfannypack/photos/pb.306014389518911.-2207520000.1412189995./475081819278833/?type=3&theater>>, Nov. 17, 2013, printed on Oct. 1, 2014.
- Fitfannypack—Photos | Facebook, <<https://www.facebook.com/Fitfannypack/photos/pb.306014389518911.-2207520000.1412189995./475081552612193/?type=3&theater>>, Nov. 17, 2013, printed on Oct. 1, 2014.
- Fitfannypack—Photos | Facebook, <<https://www.facebook.com/Fitfannypack/photos/pb.306014389518911.-2207520000.1412189995./475431802577168/?type=3&theater>>, Nov. 18, 2013, printed on Oct. 1, 2014.
- Fitfannypack—Photos | Facebook, <<https://www.facebook.com/Fitfannypack/photos/pb.306014389518911.-2207520000.1412189988./520959818024366/?type=3&theater>>, Feb. 6, 2014, printed on Oct. 1, 2014.
- Fitfannypack—Photos | Facebook, <<https://www.facebook.com/Fitfannypack/photos/pb.306014389518911.-2207520000.1412189988./521041564682858/?type=3&theater>>, Feb. 6, 2014, printed on Oct. 1, 2014.
- Hipssister | Global Sister—Travel—Shop Now, <<http://hipssister.com/shop-now/travel/global-sister.html>>, printed Oct. 1, 2014.
- Hipssister | Left Coast Sister, <<http://hipssister.com/shop-now/fitness/left-coast-sister.html>>, printed on Oct. 1, 2014.
- Hipssister | Lil Sister, <<http://hipssister.com/shop-now/children/lil-sister.html>>, printed on Oct. 1, 2014.
- Hipssister | Park City Sister, <<http://hipssister.com/shop-now/travel/park-city-sister.html>>, printed on Oct. 1, 2014.
- Hipssister | Reversible Left Coast Sister, <<http://hipssister.com/shop-now/fitness/reversible-left-coast-sister.html>>, printed on Oct. 1, 2014.
- Hipssister | Soho Sister, <<http://hipssister.com/shop-now/fashion/soho-sister.html>>, printed on Oct. 1, 2014.
- Hipssister | Sports-Sister—Reversible Team Colors, <<http://hipssister.com/shop-now/sports-sister-reversible-team-colors.html>>, printed on Oct. 1, 2014.
- Hipssister | Standard Left Coast Sister, <<http://hipssister.com/shop-now/fitness/standard-left-coast-sister.html>>, printed on Oct. 1, 2014.
- Hipssister | Swims-Sister Collection, <<http://hipssister.com/shop-now/swims-sister/swims-sister-collection.html>>, printed on Oct. 1, 2014.
- Hipssister | Vegas Sister, <<http://hipssister.com/shop-now/fashion/vegas-sister.html>>, printed on Oct. 1, 2014.
- Supplemental Amendment, including newly presented figures 6-9, U.S. Appl. No. 13/598,337 (Pub. No. 2013/0048695 published on Feb. 28, 2013), Applicant: Mia Do; Supplemental Amendment dated Feb. 3, 2015.
- Request for Continued Examination, U.S. Appl. No. 13/598,337 (Pub. No. 2013/0048695 published on Feb. 28, 2013), Request for Continued Examination dated Mar. 10, 2015.

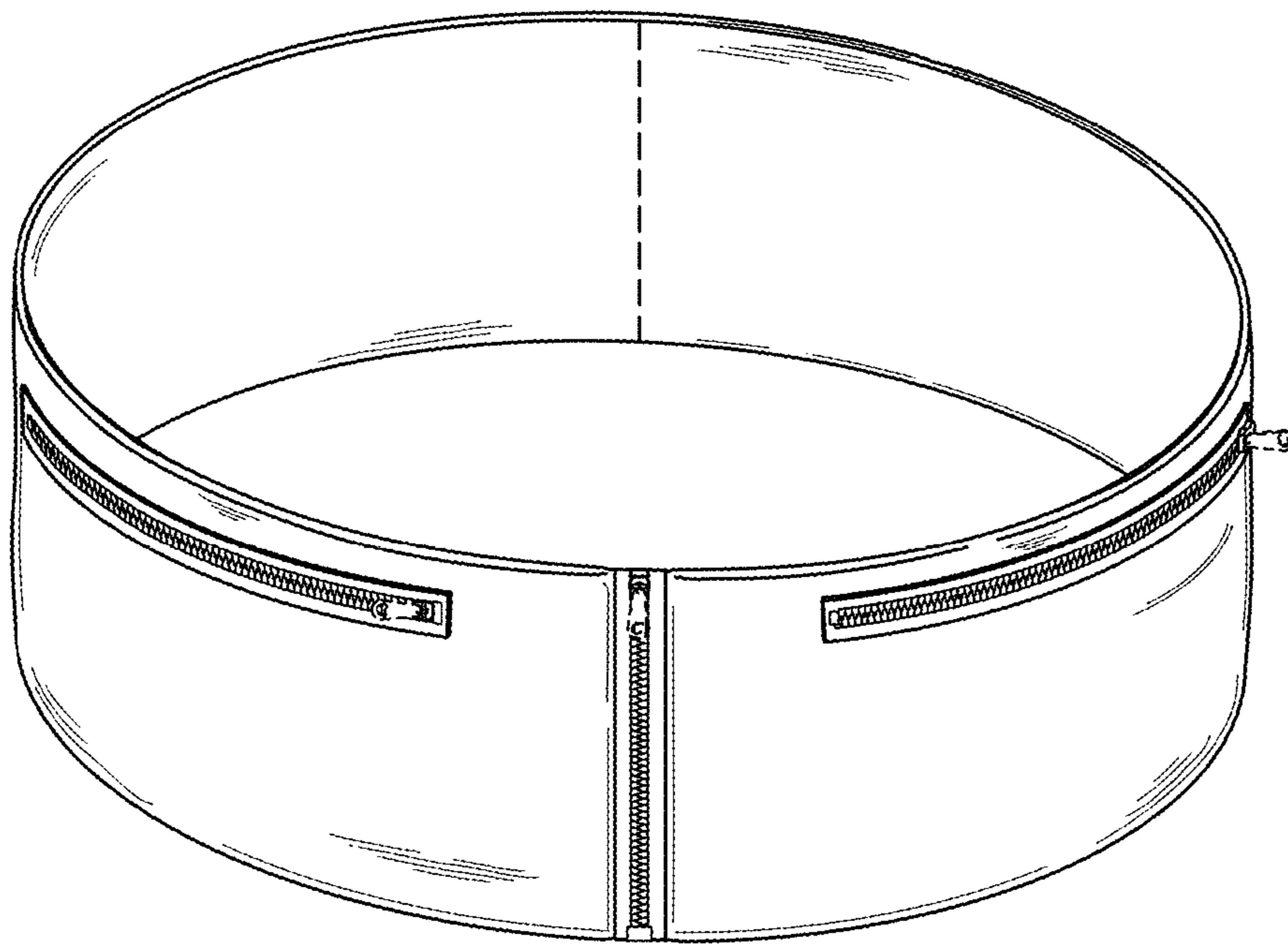


FIG. 1

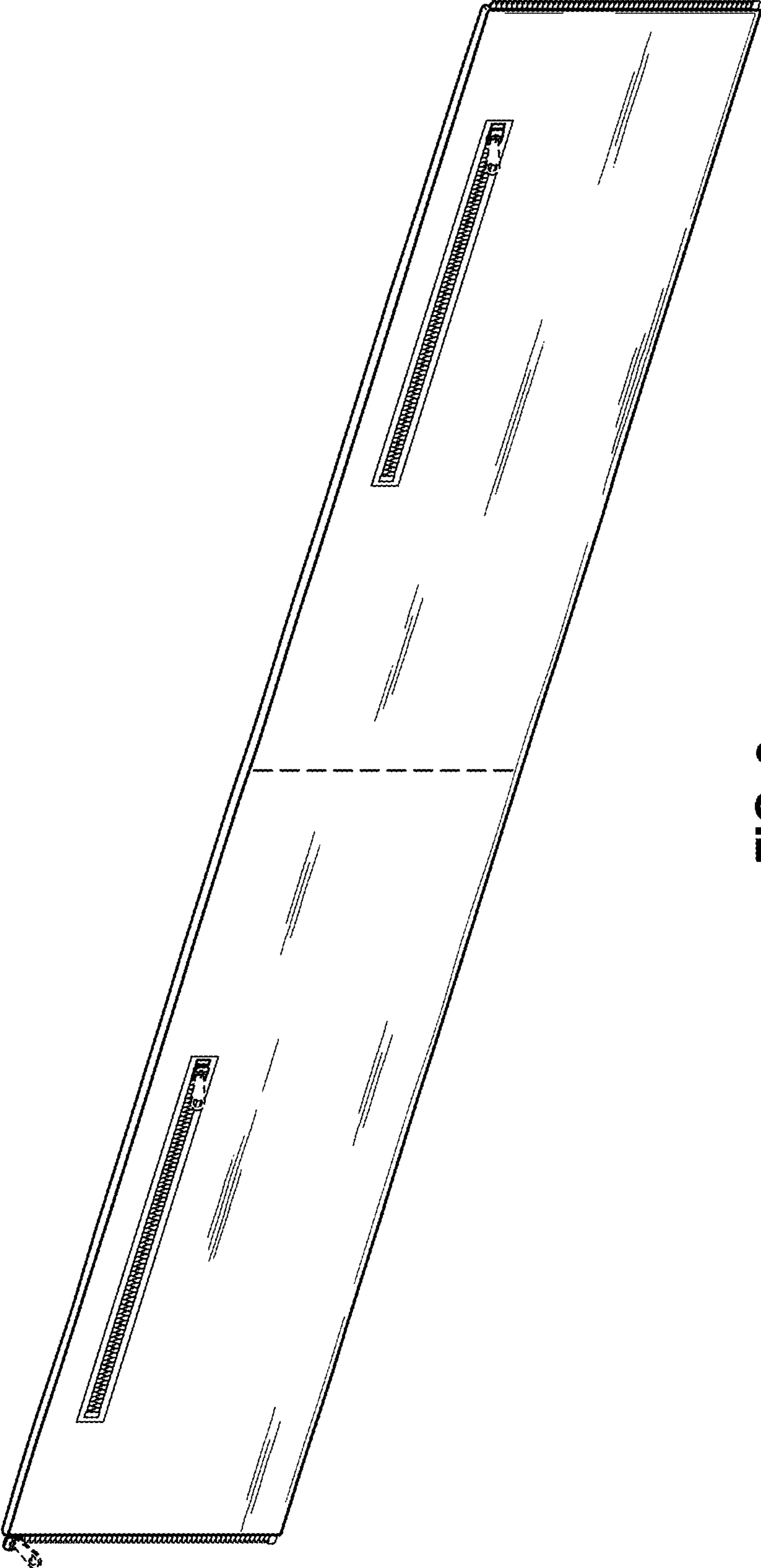


FIG. 2

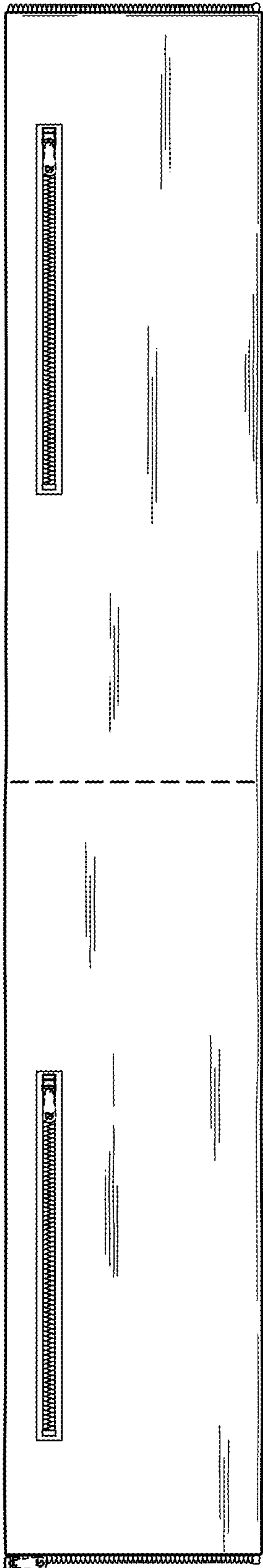


FIG. 3

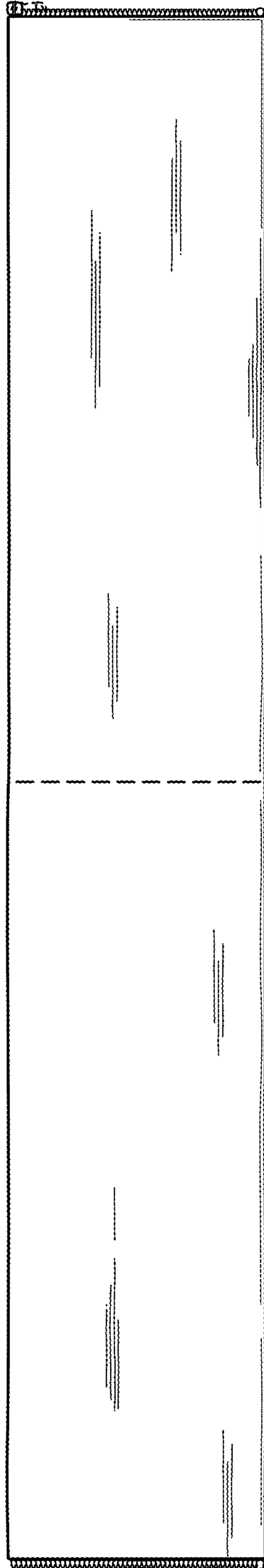


FIG. 4



FIG. 5



FIG. 6



FIG. 7



FIG. 8