



US00D769613S

(12) **United States Design Patent** (10) **Patent No.:** **US D769,613 S**
Willows et al. (45) **Date of Patent:** **** Oct. 25, 2016**

(54) **BOTTLE SLEEVE**
(71) Applicant: **Amphipod, Inc.**, Seattle, WA (US)
(72) Inventors: **Keith S. Willows**, Seattle, WA (US);
June A. Angus, Seattle, WA (US);
Antonio Del Rosario, Bellevue, WA (US)
(73) Assignee: **AMPHIPOD, INC.**, Seattle, WA (US)

(**) Term: **14 Years**
(21) Appl. No.: **29/522,563**

(22) Filed: **Mar. 31, 2015**
(51) **LOC (10) Cl.** **03-01**
(52) **U.S. Cl.**
USPC **D3/202**
(58) **Field of Classification Search**
USPC D3/201, 202, 215, 225, 303, 226, 229;
D7/605, 607, 608, 619.1, 620
CPC A45F 3/16; A45F 3/20; A45F 5/00;
A45F 5/02; A45C 11/20
See application file for complete search history.

(56) **References Cited**
U.S. PATENT DOCUMENTS

D219,954 S 2/1971 Koenigsberg
3,843,032 A * 10/1974 Moran A45F 3/16
215/382
4,176,772 A 12/1979 Danon
D257,409 S 10/1980 Kishbaugh et al.
4,401,245 A * 8/1983 Zills B65D 81/3886
215/12.1
4,526,280 A * 7/1985 Taylor B65D 77/0406
150/154
D292,127 S * 9/1987 Aiello D24/128
D300,904 S 5/1989 Pardo et al.
4,974,762 A * 12/1990 Boretsky A45C 1/04
224/148.2
D313,694 S * 1/1991 Mawhinney D12/422
4,993,565 A 2/1991 Ota et al.

D315,058 S * 3/1991 Burke D3/202
D318,798 S 8/1991 Biesecker
D320,455 S 10/1991 Malcolm
5,570,824 A 11/1996 Lyon et al.
D393,211 S 4/1998 Mengeu
5,758,790 A 6/1998 Ewing, Jr.
5,873,551 A * 2/1999 Jones A61J 9/06
224/600
D410,770 S * 6/1999 Bergara D3/202

(Continued)

FOREIGN PATENT DOCUMENTS

JP 07101517 A 4/1995

OTHER PUBLICATIONS

Ultimate Direction, 2002 High Performance Hydration.
Amphipod 2004 Catalog.

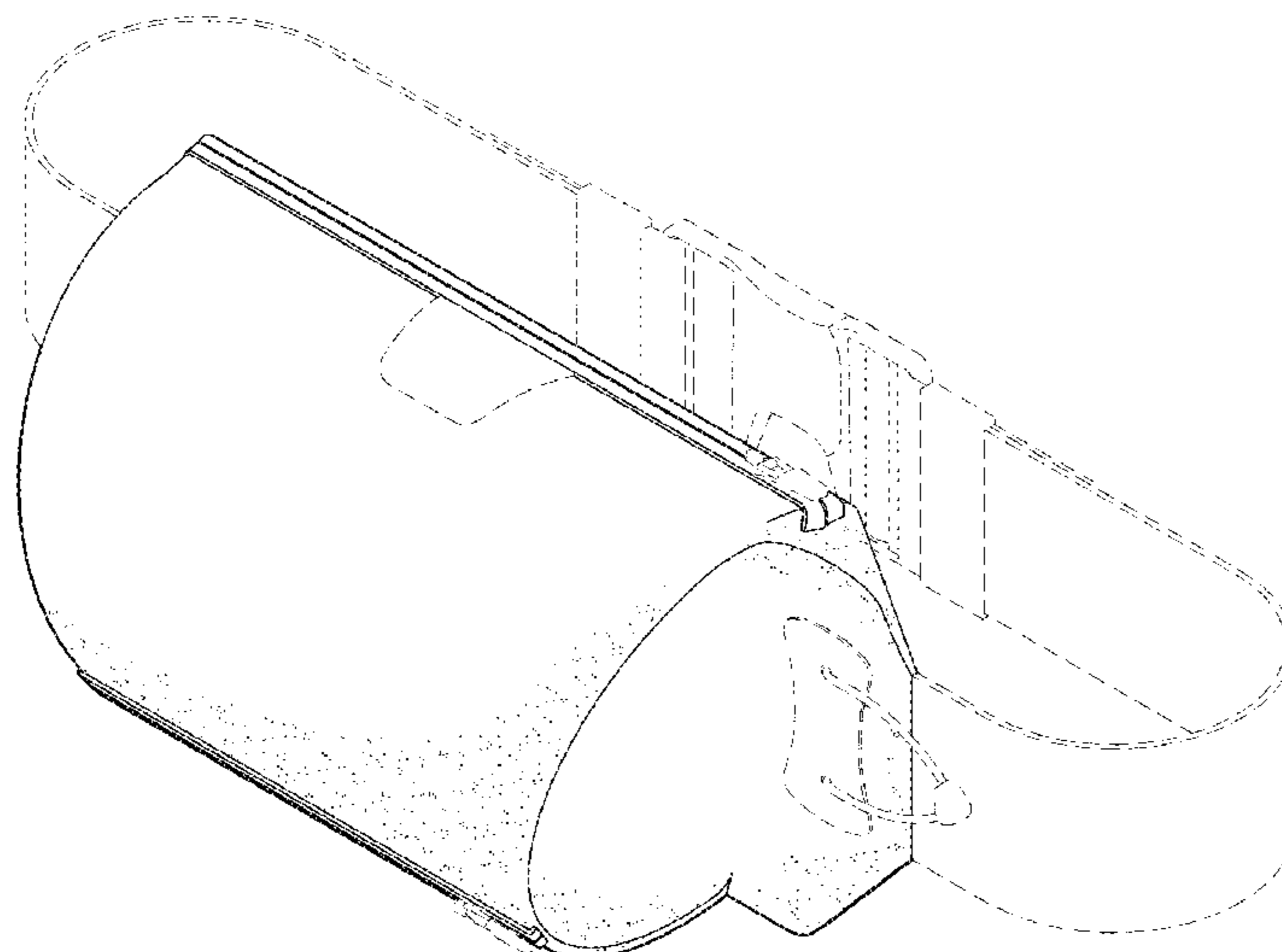
Primary Examiner — John Windmuller
Assistant Examiner — Steven Czyz
(74) *Attorney, Agent, or Firm* — Lowe Graham Jones
PLLC

(57) **CLAIM**
The ornamental design for a bottle sleeve, as shown and described.

DESCRIPTION

FIG. 1 is a front perspective view of the bottle sleeve, showing our new design;
FIG. 2 is a front elevational view thereof;
FIG. 3 is a top plan view thereof;
FIG. 4 is a right side elevational view thereof;
FIG. 5 is a left side elevational view thereof;
FIG. 6 is a rear elevational view with the unclaimed belt shown cutaway for ease of disclosure; and,
FIG. 7 is a bottom plan view thereof.
The broken lines depict portions of the article that form no part of the claimed design.

1 Claim, 6 Drawing Sheets



(56)

References Cited

U.S. PATENT DOCUMENTS

6,109,496	A *	8/2000	Andrew	A45F 3/00 224/223
6,182,872	B1 *	2/2001	Six	A45F 3/00 224/148.3
D448,925	S *	10/2001	Willows	D3/226
6,321,958	B1	11/2001	Erdmann		
6,401,993	B1 *	6/2002	Andrino	A45F 5/00 224/148.5
6,405,912	B2 *	6/2002	Giannou	A45C 11/00 224/233
6,454,146	B2 *	9/2002	Alis	A45F 5/02 224/250
D467,418	S *	12/2002	Perron	D3/229
6,508,391	B2	1/2003	Gilbert		
6,971,562	B2 *	12/2005	Willows	A45F 5/00 224/148.4
D567,595	S *	4/2008	Christopher	D3/229
7,520,412	B2 *	4/2009	Willows	A45F 3/14 224/148.4
8,002,157	B2 *	8/2011	Willows	A45F 3/14 224/148.4
D648,520	S *	11/2011	Fahrendorff	D3/201
D650,985	S *	12/2011	Swartz	D3/202
D681,326	S *	5/2013	Willows	D3/229
D682,551	S *	5/2013	Phillips	D3/303
D712,147	S *	9/2014	Curran-Blaney	D3/303
8,985,409	B2 *	3/2015	Willows	A45F 5/00 224/148.1
D750,376	S *	3/2016	Hamilton	D3/218

* cited by examiner

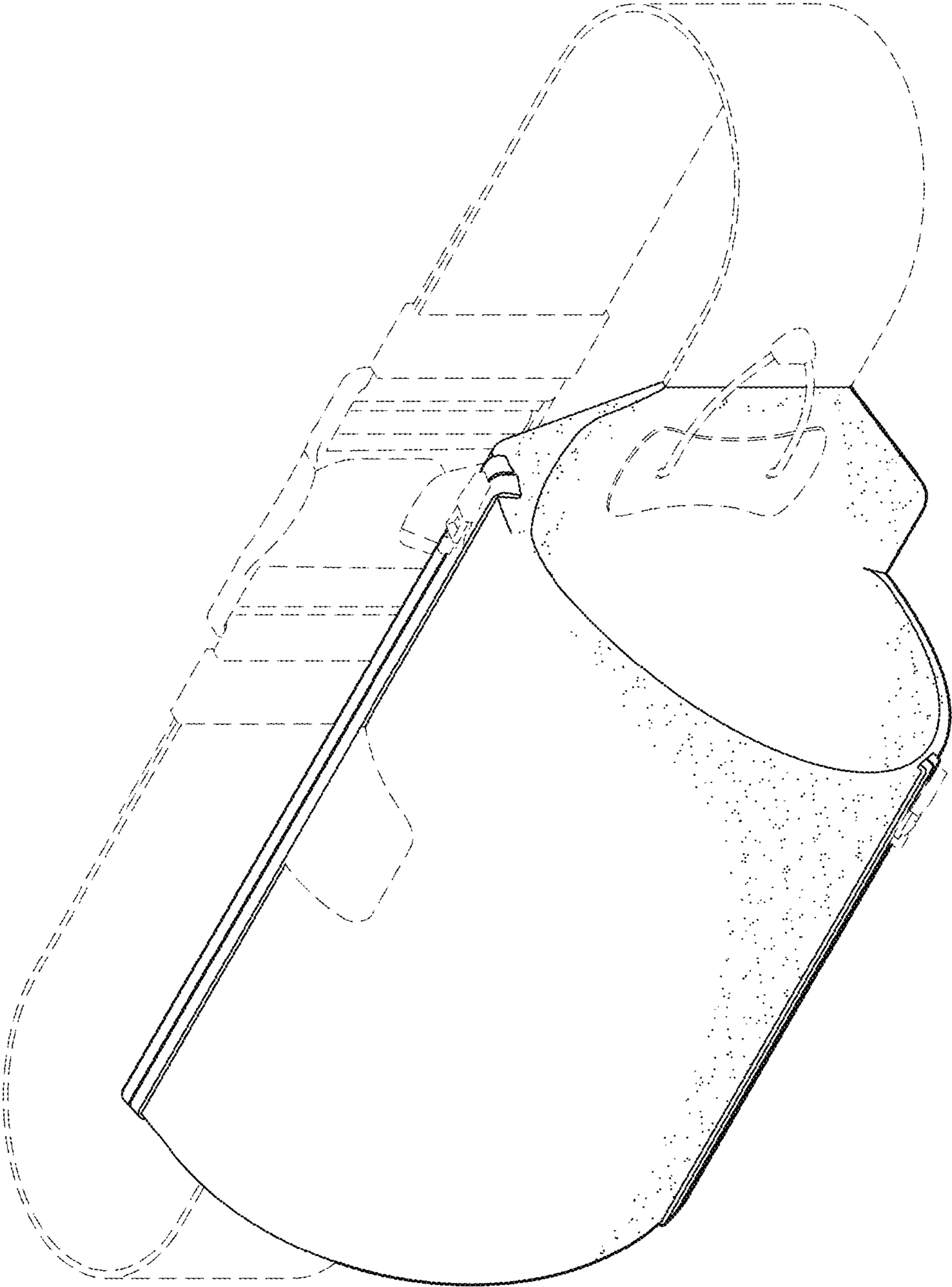


FIG.1

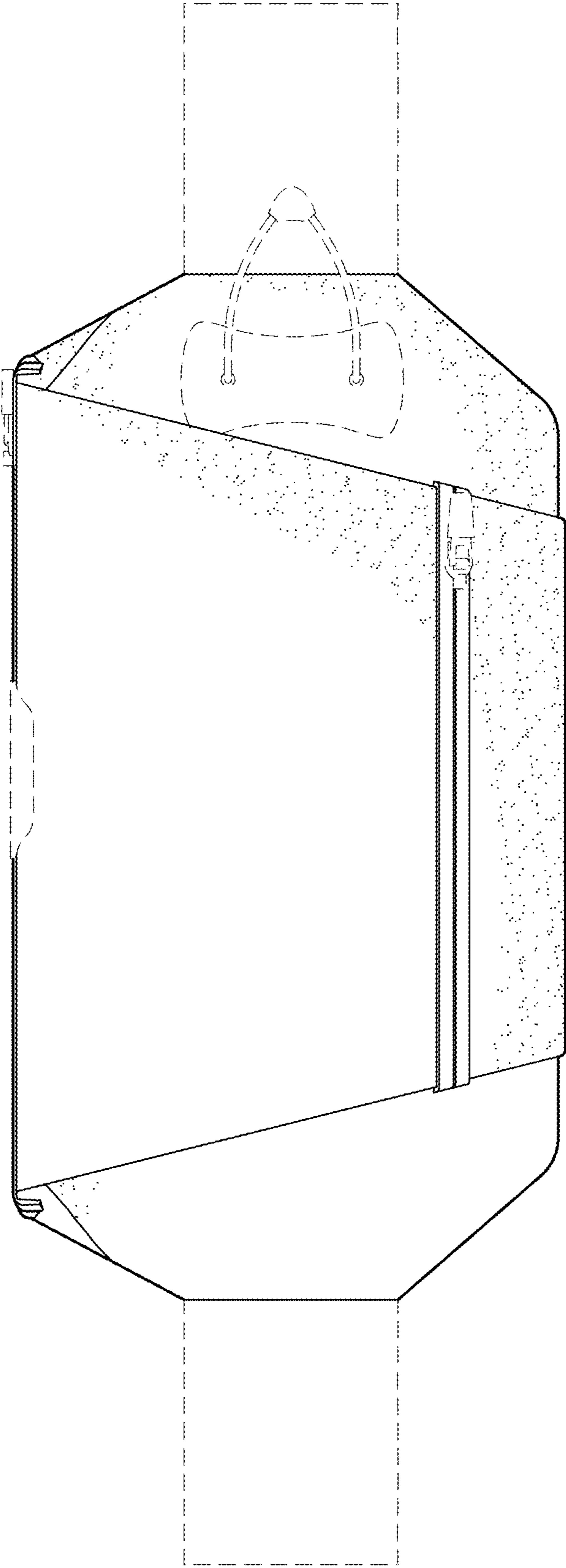


FIG.2

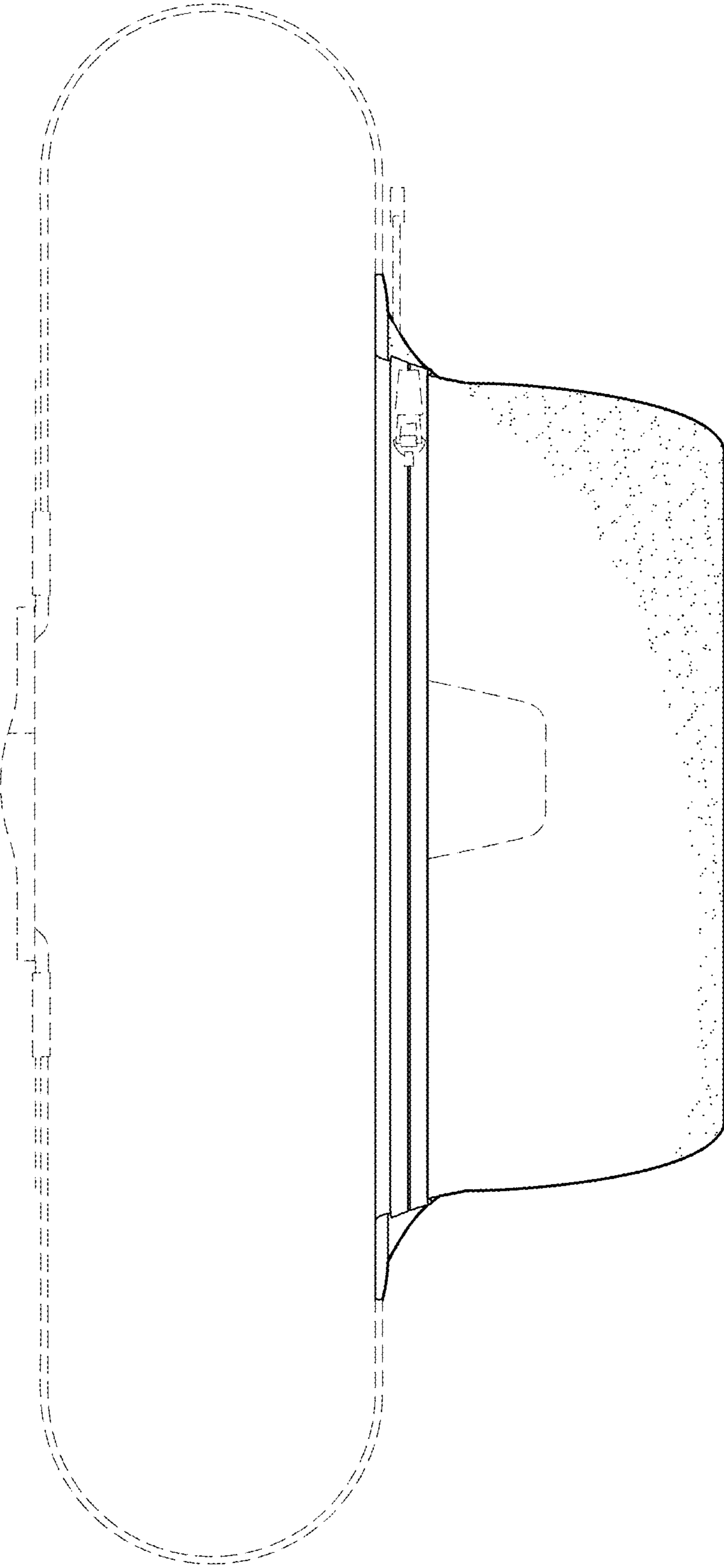


FIG.3

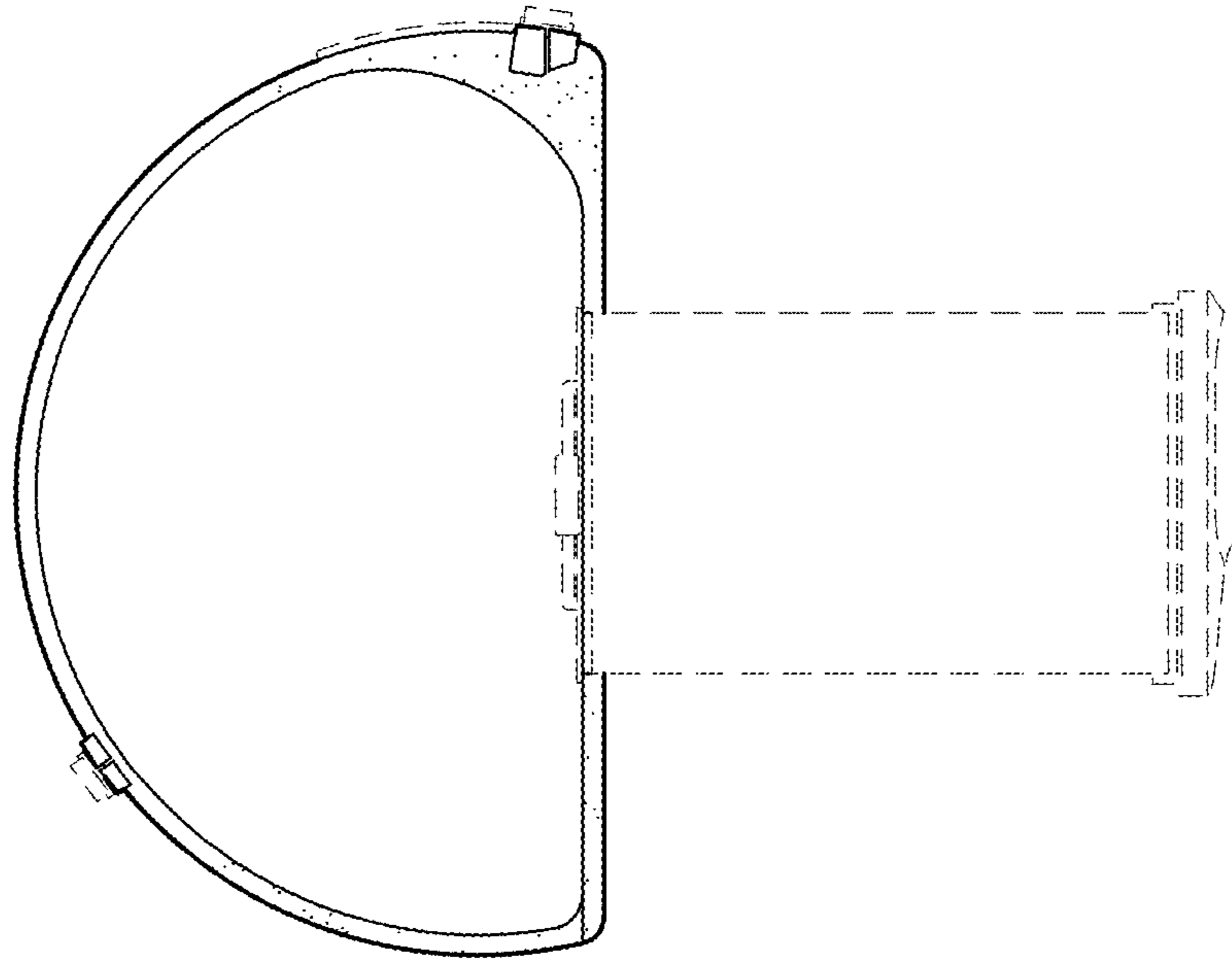


FIG. 4

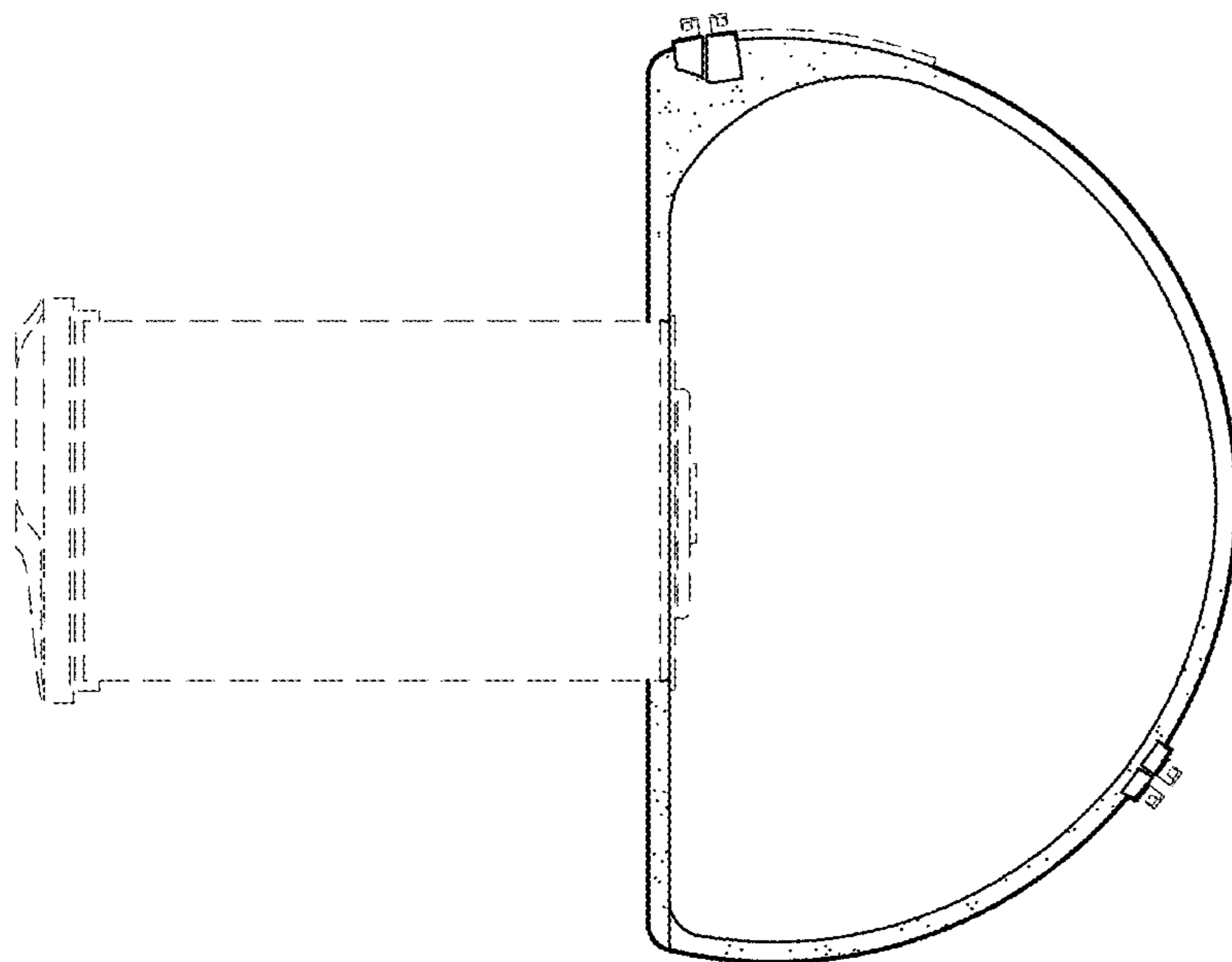


FIG. 5

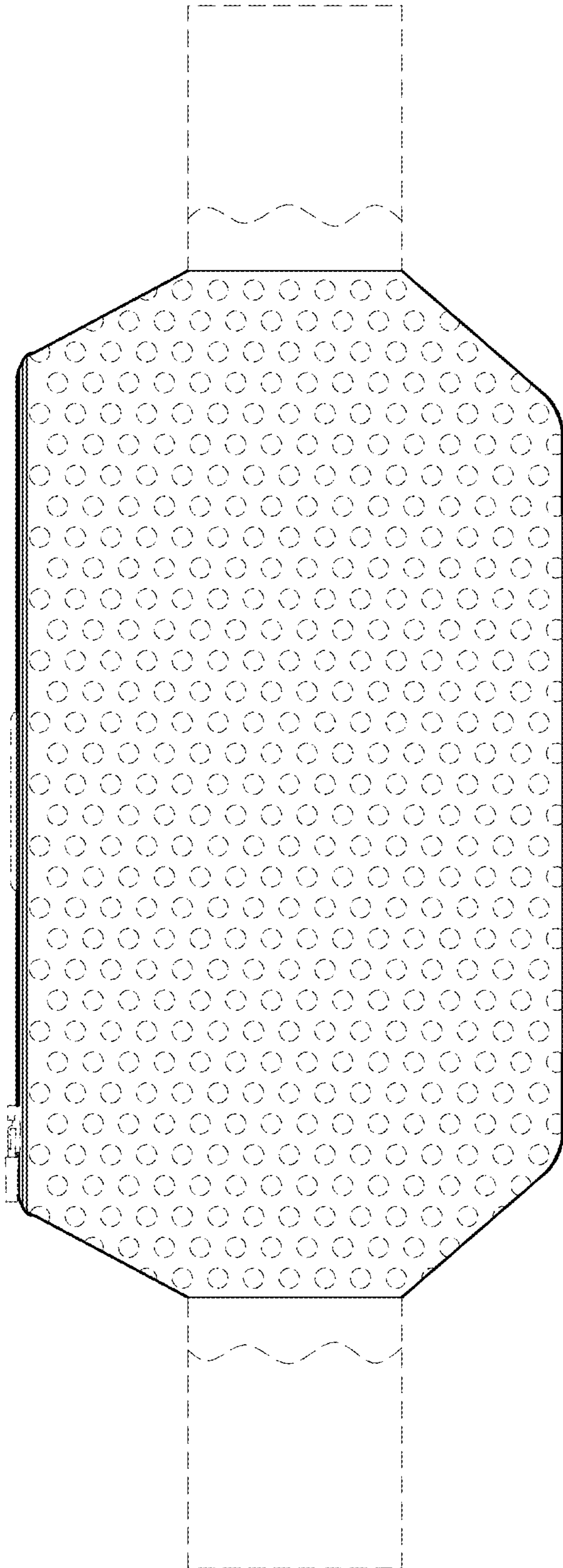


FIG. 6

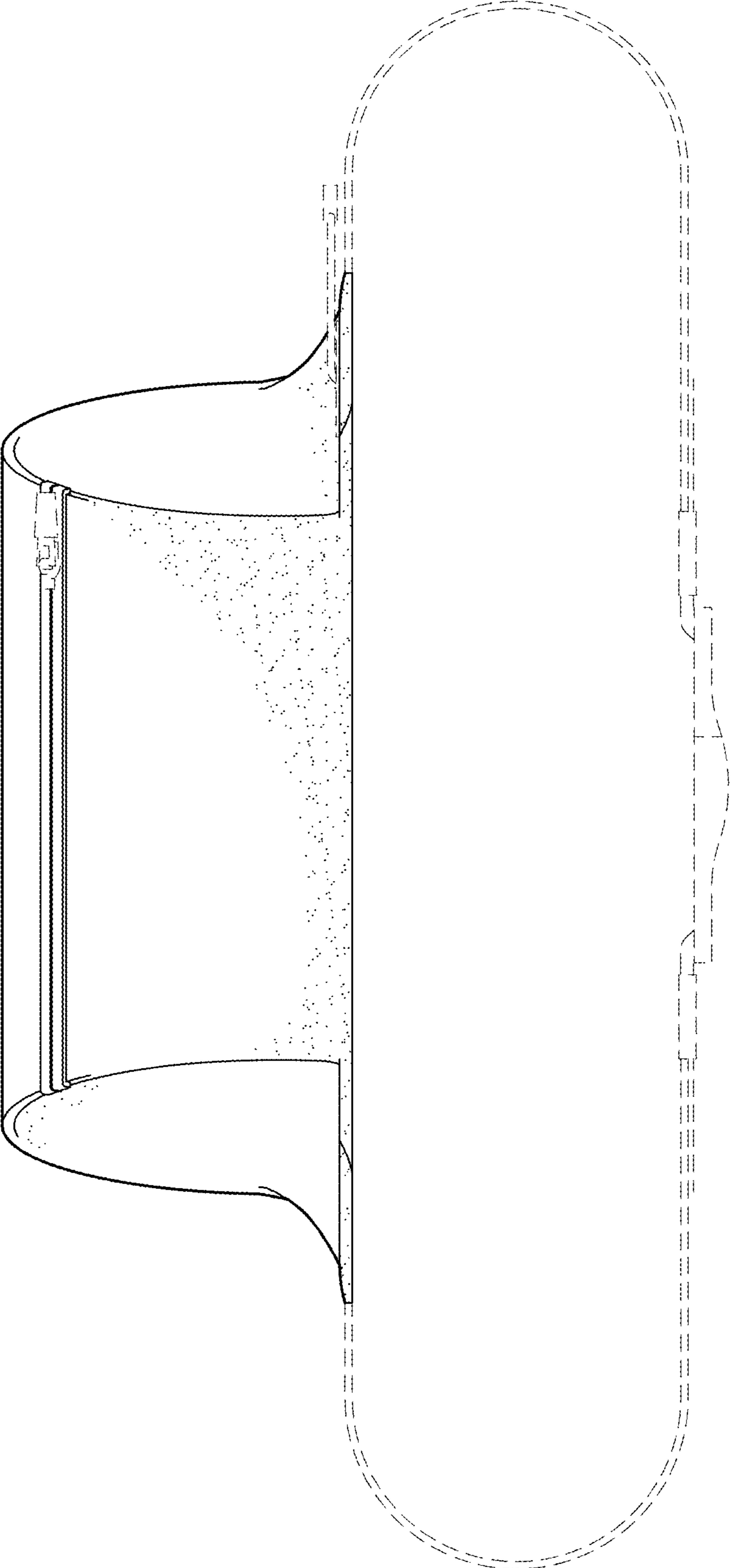


FIG. 7