



US00D769612S

(12) **United States Design Patent** (10) **Patent No.:** **US D769,612 S**
Kocher (45) **Date of Patent:** **** Oct. 25, 2016**

(54) **KNOCKDOWN THATCH UMBRELLA**

(71) Applicant: **James Kocher**, Haleiwa, HI (US)

(72) Inventor: **James Kocher**, Haleiwa, HI (US)

(**) Term: **14 Years**

(21) Appl. No.: **29/475,976**

(22) Filed: **Dec. 10, 2013**

(51) **LOC (10) Cl.** **03-03**

(52) **U.S. Cl.**
USPC **D3/10**

(58) **Field of Classification Search**
USPC D3/5, 7-10, 12-18; D6/327, 328, 389;
D8/308, 309, 359; D12/318, 403, 404;
D21/834, 837, 839; D25/10, 56;
135/15-20.3, 25.3, 26, 28, 130
CPC A45B 2023/0043; A45B 2023/0037;
A45B 2023/005; A45B 2023/0075; A45B
2023/0081
See application file for complete search history.

(56) **References Cited**

U.S. PATENT DOCUMENTS

- 3,040,478 A * 6/1962 Ferguson A45B 23/00
135/32
- 3,138,828 A * 6/1964 Greenbie E04B 1/3441
135/147
- 3,177,882 A * 4/1965 Militano A45B 25/02
135/28
- 3,177,883 A * 4/1965 Militano A45B 25/02
135/15.1
- 3,395,717 A * 8/1968 Weber A45B 19/10
135/26
- 3,405,721 A * 10/1968 Crosier E04H 15/003
135/130
- 3,457,931 A * 7/1969 Shimizu A45B 19/10
135/25.3
- D221,039 S * 6/1971 Zimmermann 135/26
- D224,520 S * 8/1972 Waters 52/82
- D234,729 S * 4/1975 Weber D3/10
- 4,023,582 A 5/1977 Buzzella
- D266,178 S * 9/1982 Lotterer D21/837
- 4,677,796 A 7/1987 Mellott

- D303,292 S * 9/1989 Poilane D25/56
- D387,839 S * 12/1997 Pysell D21/839
- D403,881 S * 1/1999 Lucas D3/10
- 6,226,949 B1 5/2001 Huber
- D470,907 S * 2/2003 Ju D21/834
- 6,745,521 B1 6/2004 Klemming
- 6,802,325 B1 10/2004 Apple
- D515,803 S * 2/2006 You D3/10
- D586,549 S * 2/2009 Hermanson D3/10
- D586,550 S * 2/2009 Hermanson D3/10
- D605,308 S * 12/2009 Combs D21/837
- D609,453 S * 2/2010 Liu D3/5
- D622,496 S * 8/2010 Eussen D3/6
- D637,388 S * 5/2011 You D3/10
- D650,984 S * 12/2011 Pineda D3/10
- 8,220,207 B2 7/2012 Shan
- 2005/0235580 A1 10/2005 Golden
- 2006/0191563 A1 8/2006 Goodman

OTHER PUBLICATIONS

“Thatch Umbrella—Synthetic”, <http://www.amazuluinc.com/thatch-umbrella-synthetic>.

* cited by examiner

Primary Examiner — Thomas Johannes

Assistant Examiner — Catherine Posthauer

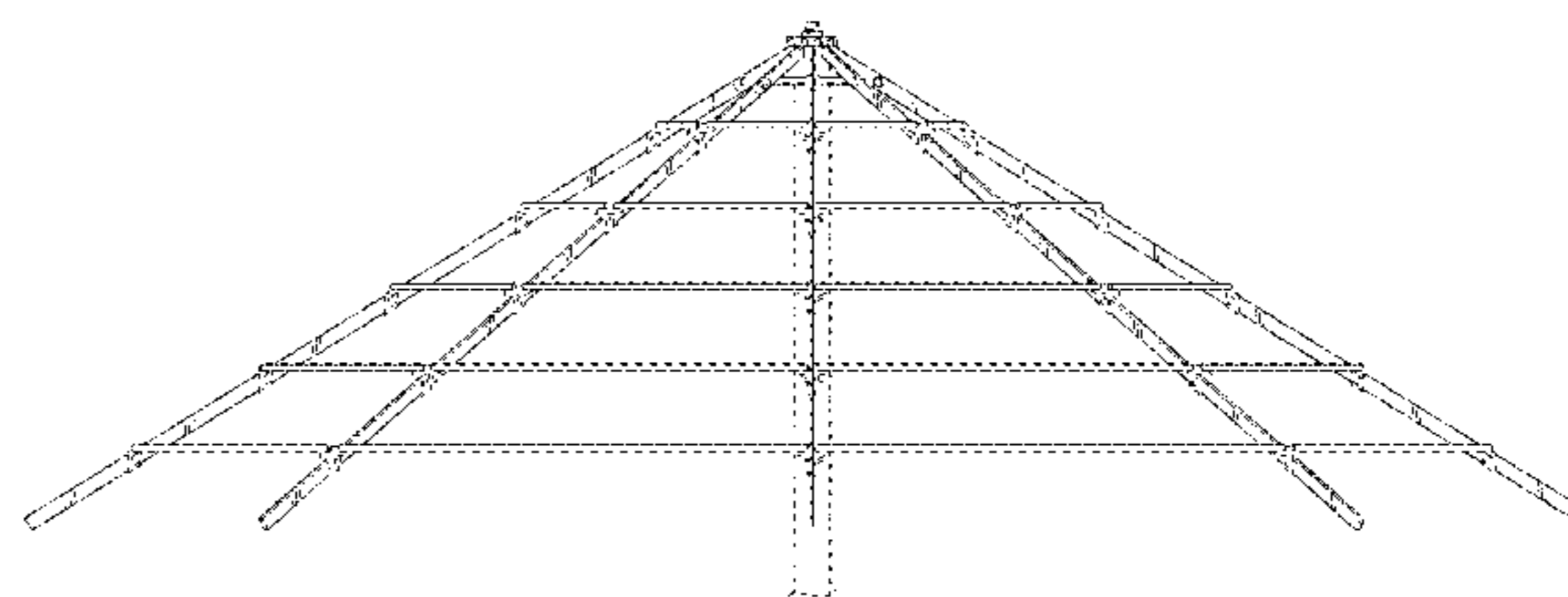
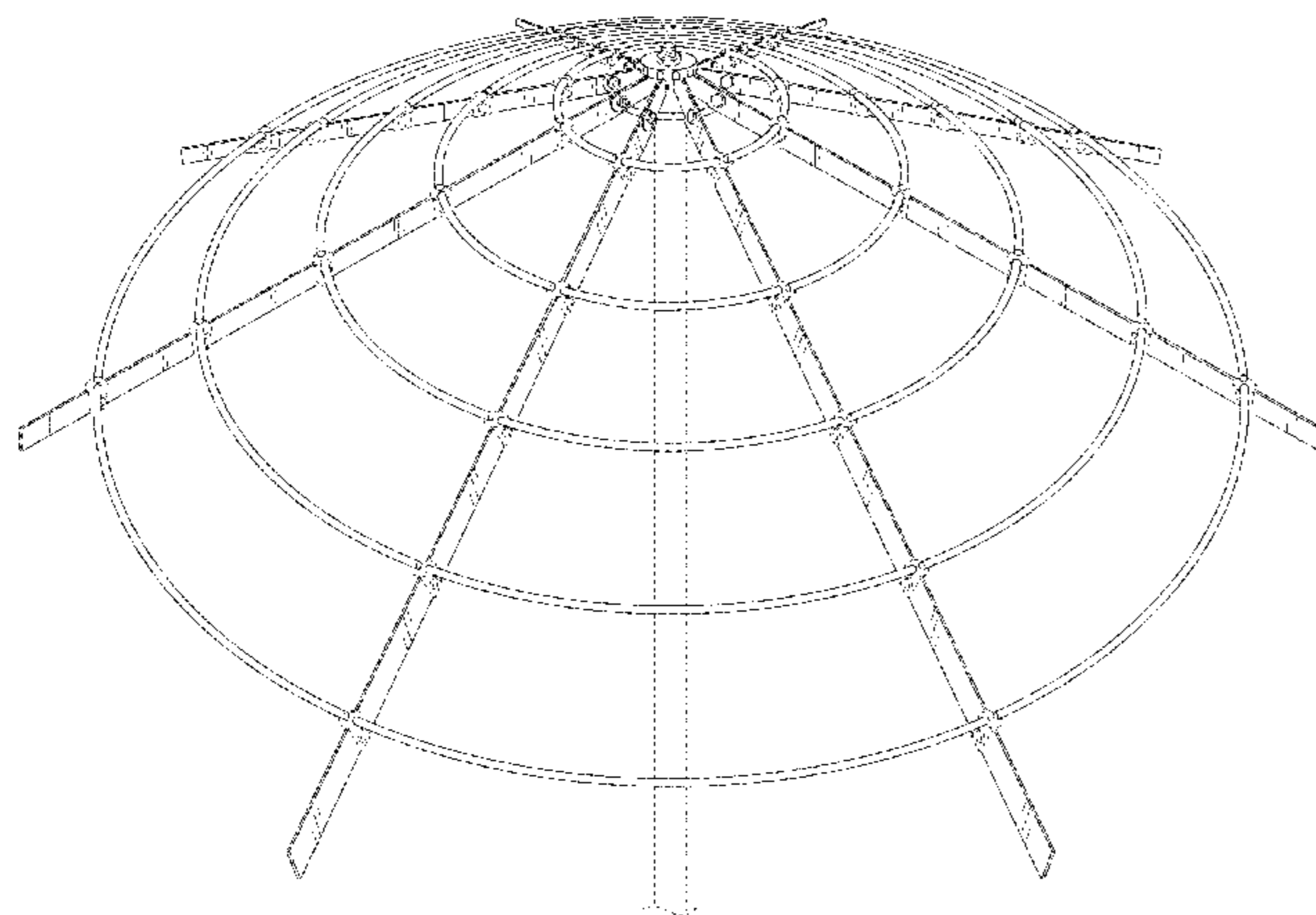
(74) *Attorney, Agent, or Firm* — Mark R. Huebscher;
TechLaw LLP

(57) **CLAIM**

The ornamental design for a knockdown thatch umbrella, as shown and described.

DESCRIPTION

FIG. 1 is an enlarged perspective view of a knockdown thatch umbrella showing my new design; FIG. 2 is a front elevation view thereof, with the rear, right side, and left side elevation views being identical; FIG. 3 is a top plan view thereof; and, FIG. 4 is bottom plan view thereof.



The broken lines are shown for the purpose of illustrating portions of the knockdown thatch umbrella that form no part of the claimed design.

1 Claim, 4 Drawing Sheets

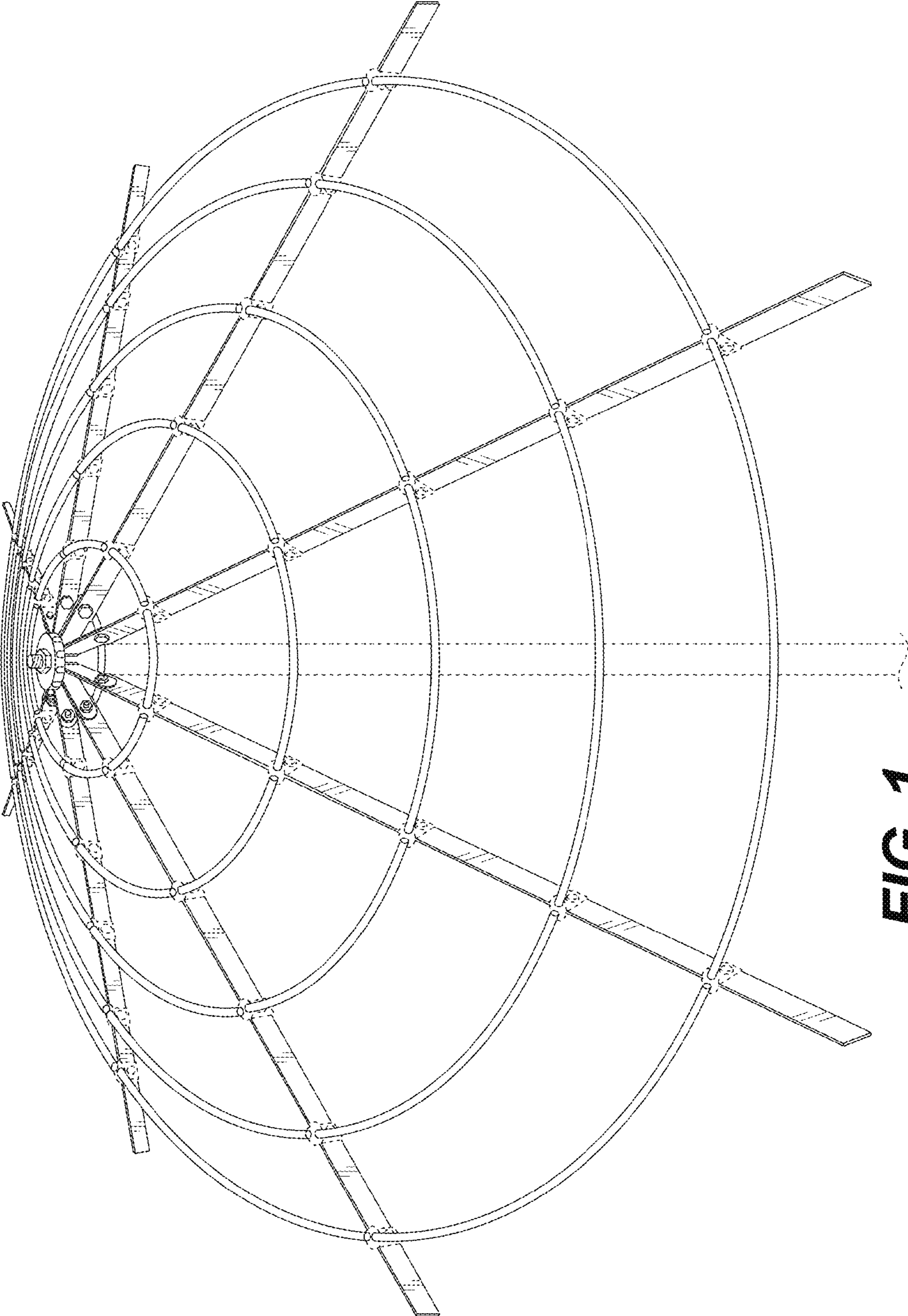


FIG. 1

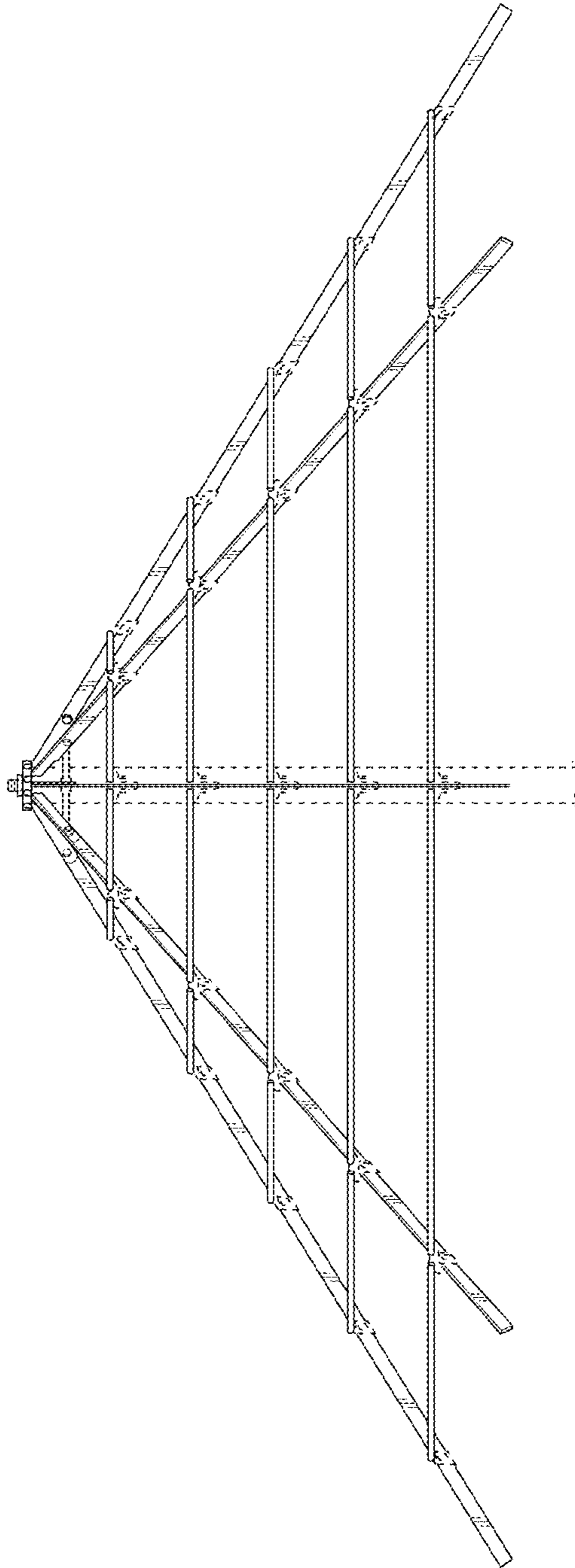


FIG. 2

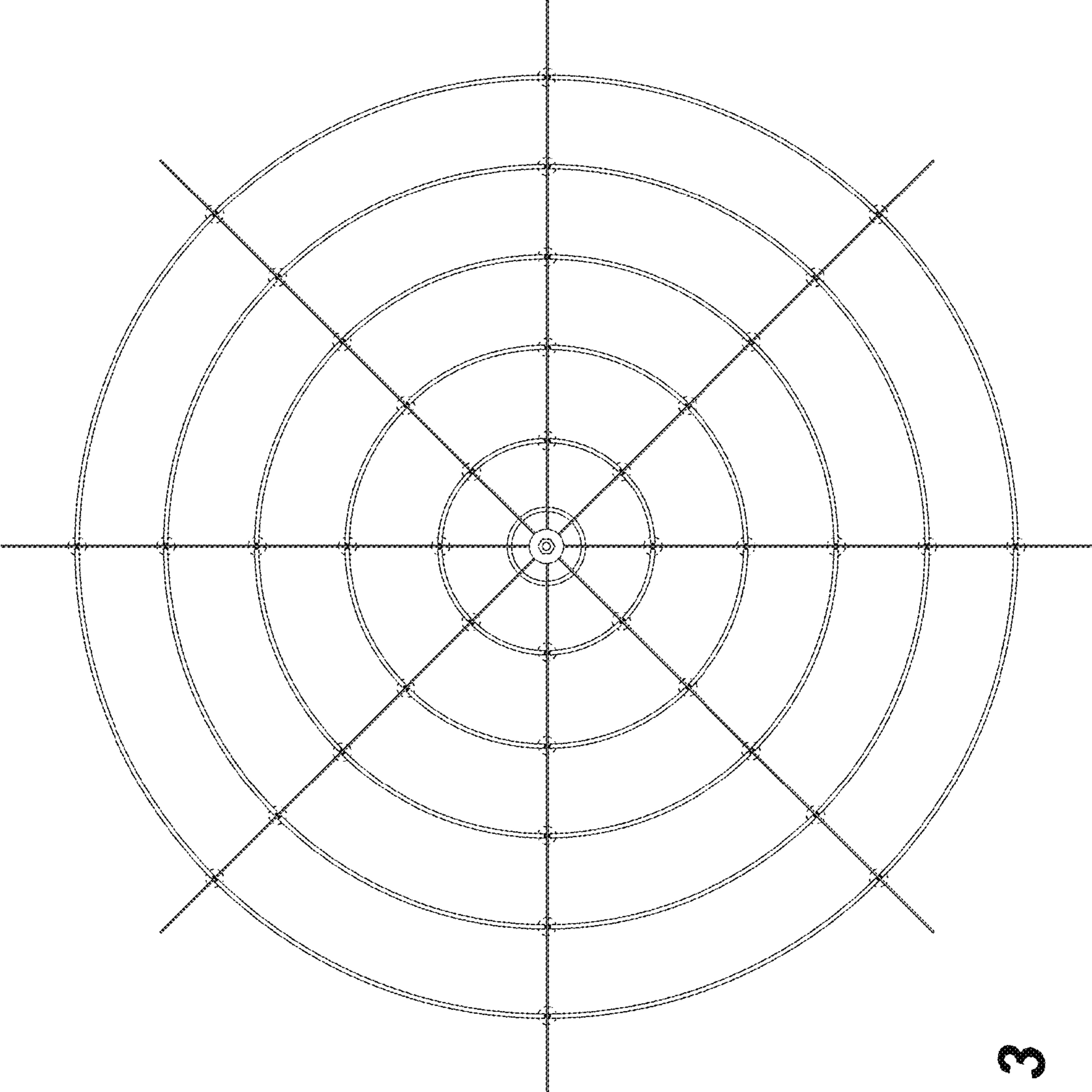


FIG. 3

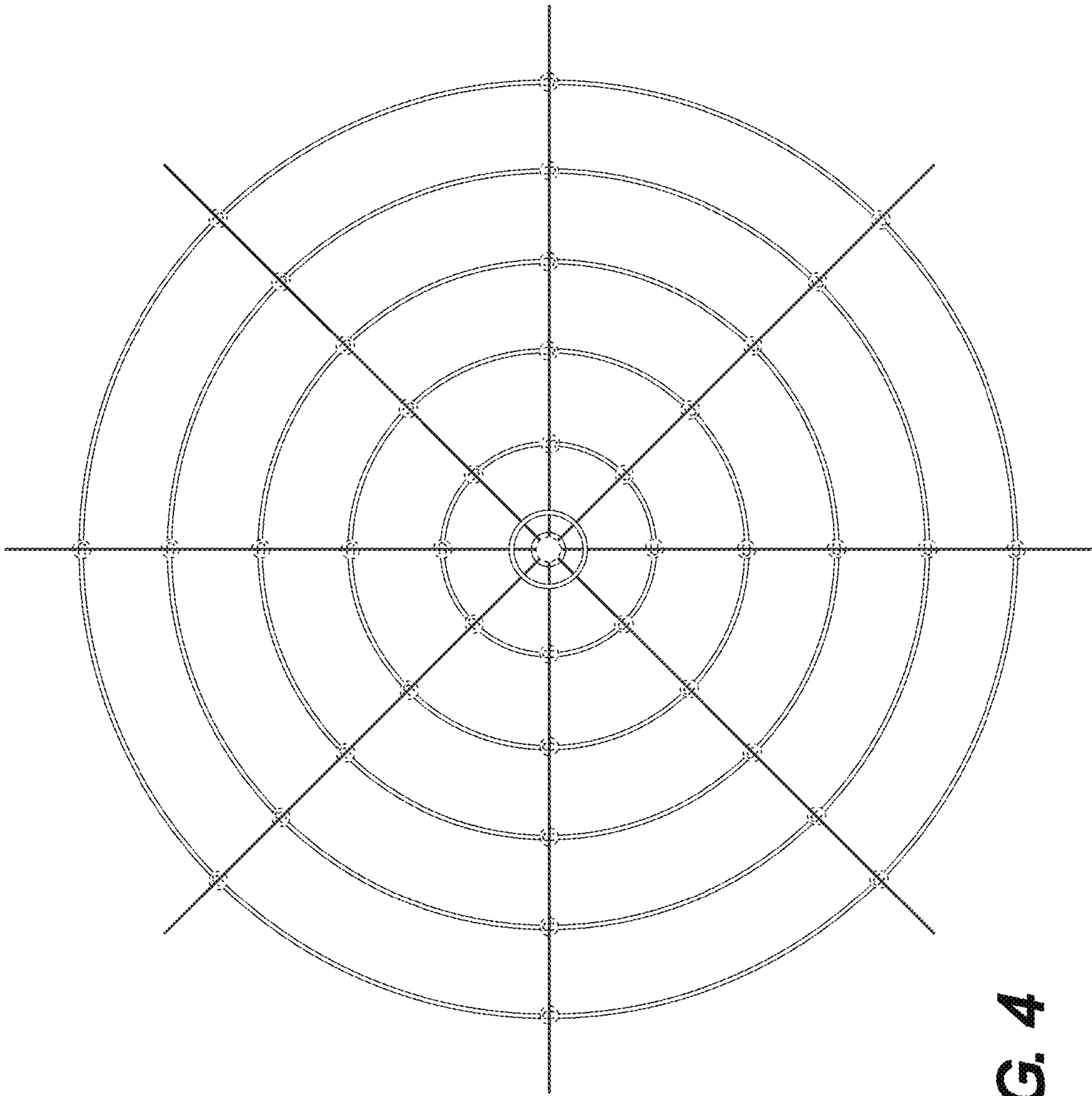


FIG. 4