

US00D769609S

(12) **United States Design Patent** (10) **Patent No.:** **US D769,609 S**  
**Rhymes** (45) **Date of Patent:** **\*\* Oct. 25, 2016**

(54) **SHOE STRAP**

(71) Applicant: **Tracey Primrose Rhymes**, Flushing, NY (US)

(72) Inventor: **Tracey Primrose Rhymes**, Flushing, NY (US)

(\*\*) Term: **15 Years**

(21) Appl. No.: **29/528,941**

(22) Filed: **Jun. 2, 2015**

(51) **LOC (10) Cl.** ..... **02-04**

(52) **U.S. Cl.**  
USPC ..... **D2/978**; D2/946; D2/976

(58) **Field of Classification Search**  
USPC ..... D2/896, 901, 929, 935, 943, 946, 976, D2/978, 944; D11/200, 201, 218, 220, D11/206, 215  
CPC ..... A43C 1/00; A43C 1/003; A43C 1/006; A43C 1/02; A43C 3/00; A43C 3/04; A43C 7/00; A43C 7/005; A43C 7/04; A43C 7/06; A43C 7/08; A43C 9/00; A43C 11/00; A43C 11/002; A43C 11/004; A43C 11/006; A43C 11/008; A43C 11/12; A43C 11/14; A43C 11/22; A43C 11/24; A43B 1/00; A43B 23/00; A43B 23/02; A43B 23/0205; A43B 23/24; B43B 3/00

See application file for complete search history.

(56) **References Cited**

**U.S. PATENT DOCUMENTS**

318,481 A \* 5/1885 Kessel ..... A41F 1/00 160/349.2  
1,038,939 A \* 9/1912 Murray ..... A43B 23/28 36/58.5  
D75,710 S \* 7/1928 Ballou ..... D11/213  
1,855,345 A \* 4/1932 Fischer, Jr. .... A43C 11/22 36/58.5  
D397,840 S \* 9/1998 Slocum ..... D2/891  
D413,197 S \* 8/1999 Faye ..... D2/978

D516,280 S \* 3/2006 Jarmon Mouchi ..... D2/946  
D543,339 S \* 5/2007 Choi ..... D2/946  
D594,220 S \* 6/2009 McDaniel ..... D2/971  
D623,839 S \* 9/2010 Leleu ..... D2/946  
D634,105 S \* 3/2011 Cheshire ..... D2/925  
D634,523 S \* 3/2011 Hirschfeld ..... D2/946  
D650,983 S \* 12/2011 Waldman ..... D2/946  
D659,376 S \* 5/2012 John ..... D2/946  
D665,160 S \* 8/2012 Little-Thomas ..... D2/946  
D732,286 S \* 6/2015 Romo ..... D2/946

\* cited by examiner

*Primary Examiner* — Elizabeth J Oswecki

(74) *Attorney, Agent, or Firm* — Hanrahan Law Firm, P.A.; Benjamin M. Hanrahan

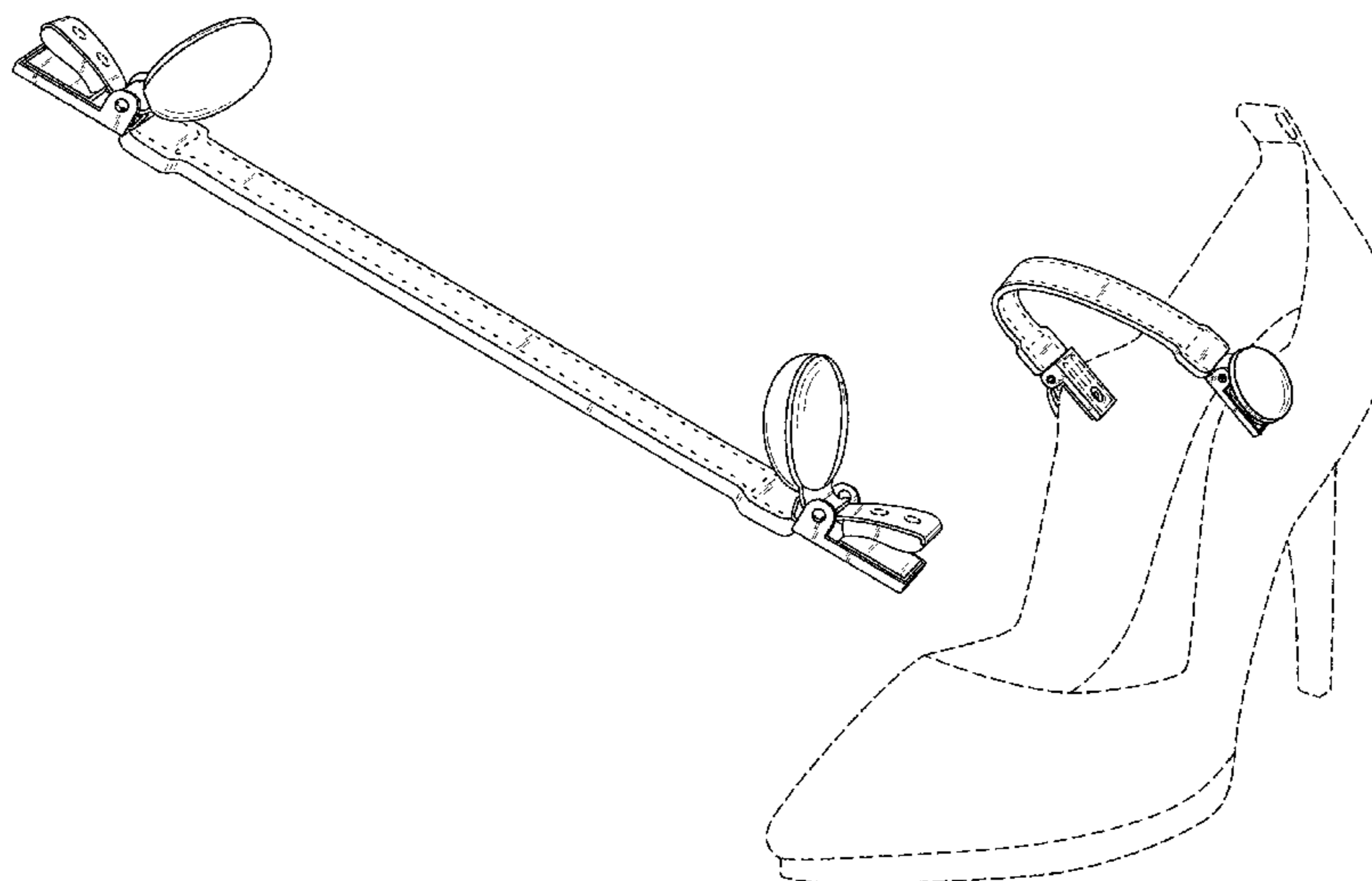
(57) **CLAIM**

The ornamental design for a shoe strap, as shown and described.

**DESCRIPTION**

FIG. 1 is a top perspective view of a shoe strap, showing my new design, with the end clasps in an open position;  
FIG. 2 is a top perspective view thereof, with the end clasps shown in a closed position;  
FIG. 3 is a right side view thereof;  
FIG. 4 is a left side view thereof;  
FIG. 5 is a bottom plan view thereof;  
FIG. 6 is a top plan view thereof;  
FIG. 7 is a front elevation view thereof;  
FIG. 8 is a rear elevation view thereof; and,  
FIG. 9 is a perspective view thereof, shown in a used condition attached to a shoe in broken lines.  
The circular broken lines on the clasps in FIG. 1 form no part of the claimed design. The broken lines on the strap in FIGS. 1, 2, 5, 6 and 9 represent stitching and form no part of the claimed design. The broken lines on the bottom of the clasps in FIGS. 3, 4, 5, 7, 8 and 9 form no part of the claimed design. The broken lines in FIG. 9 representing a shoe illustrate the environment in which the design is used and form no part of the claimed design.

**1 Claim, 6 Drawing Sheets**



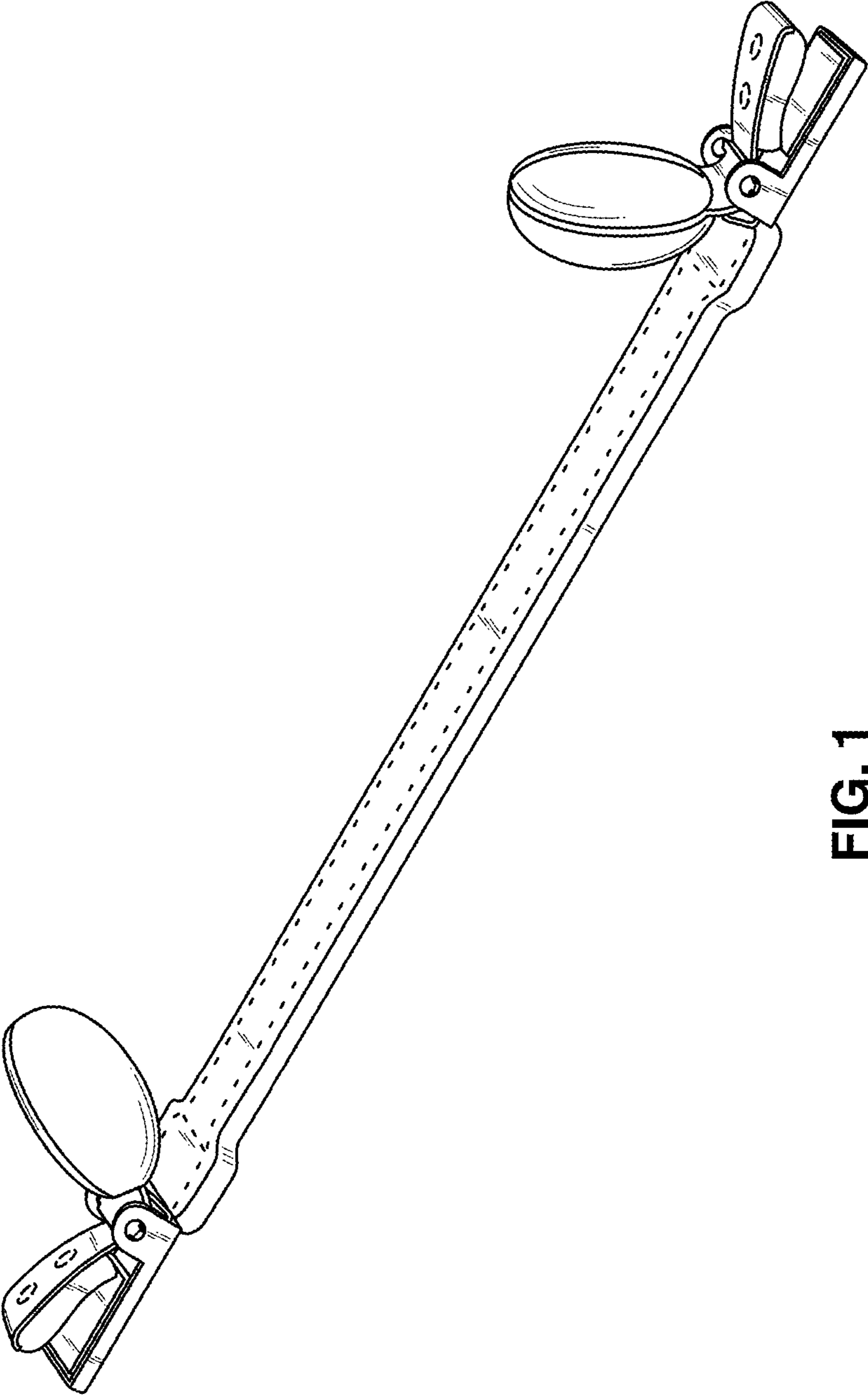


FIG. 1

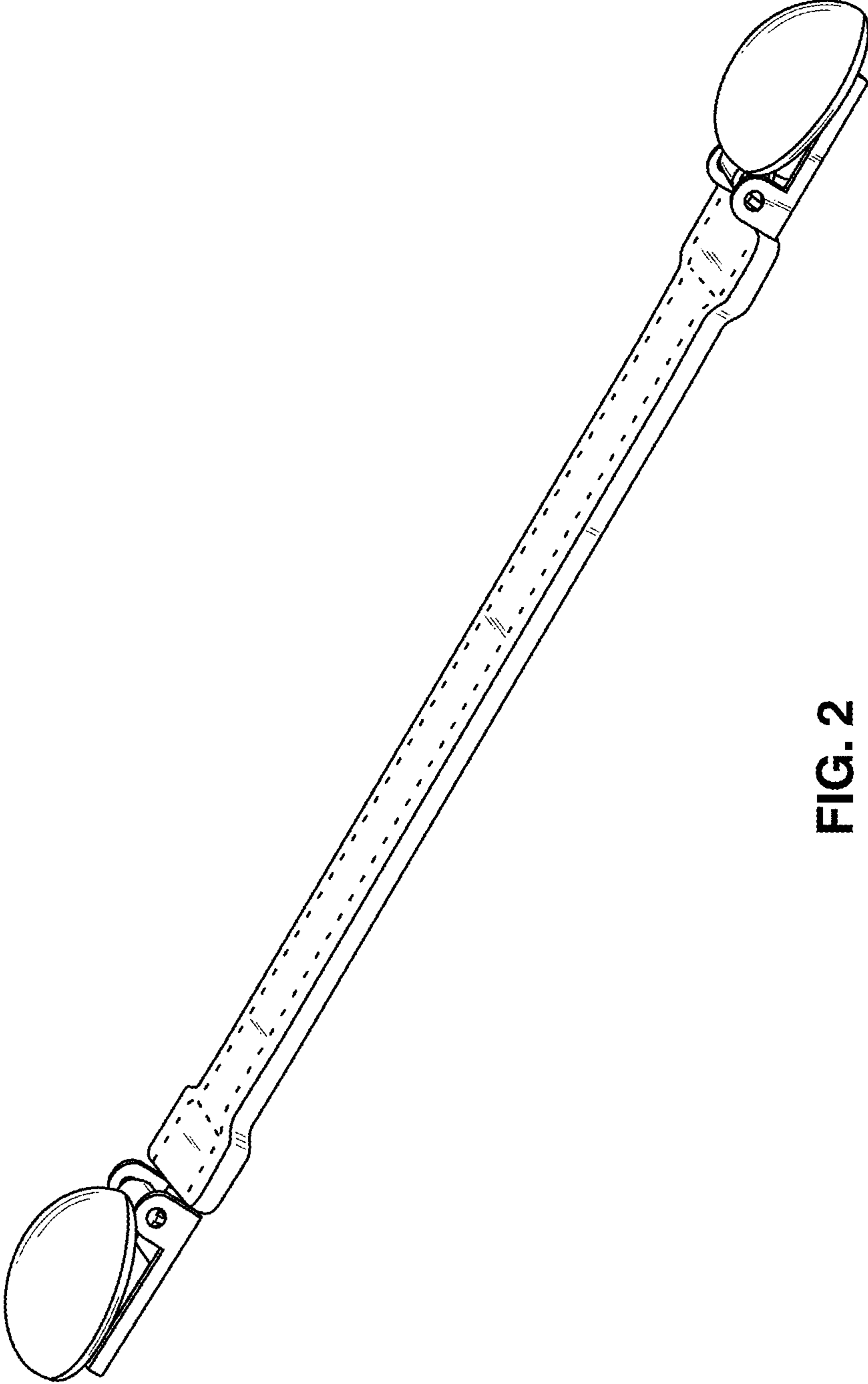


FIG. 2

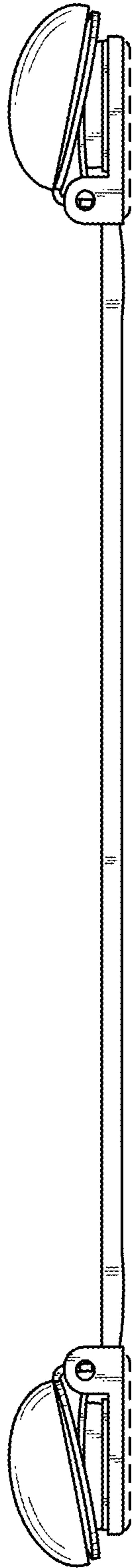


FIG. 3

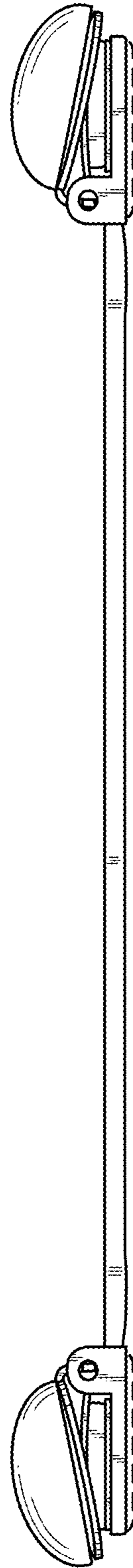


FIG. 4

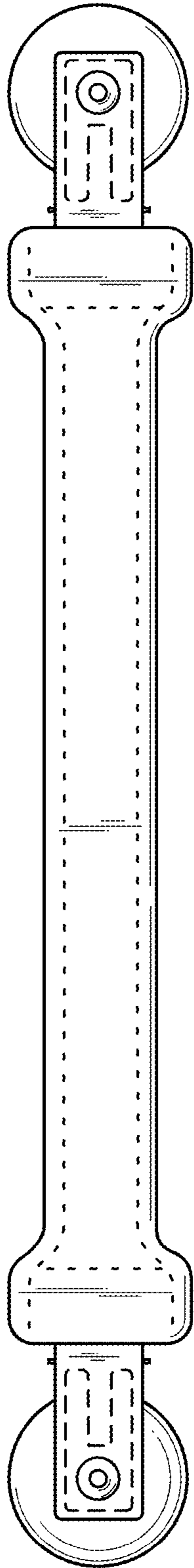


FIG. 5

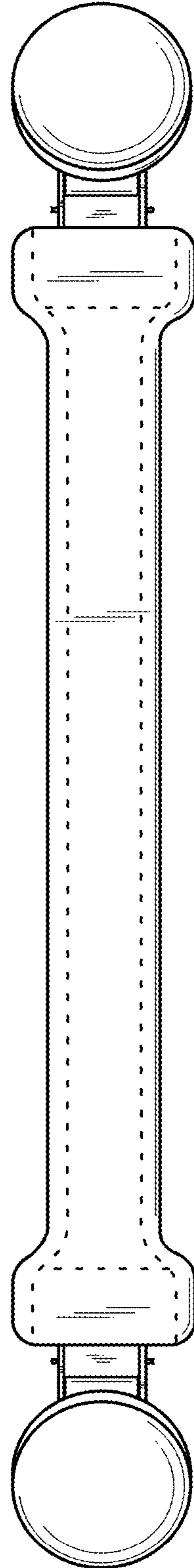
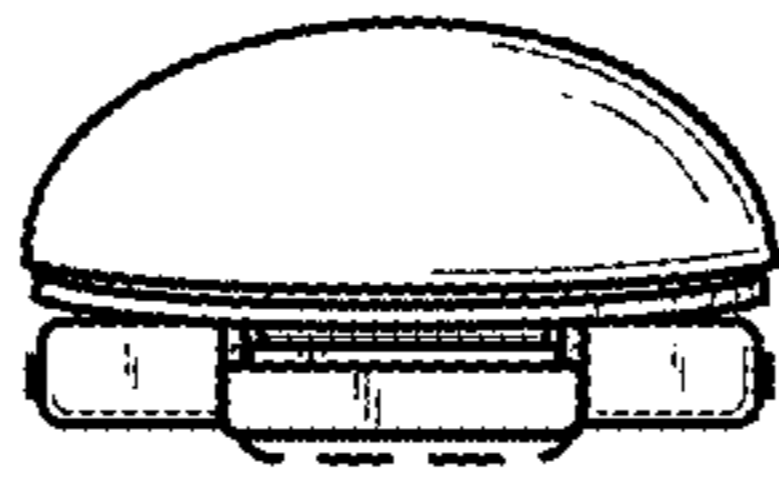
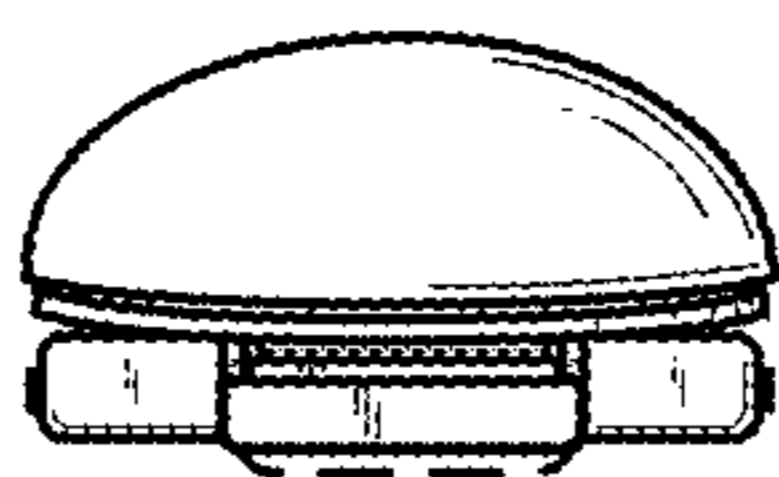


FIG. 6



**FIG. 7**



**FIG. 8**

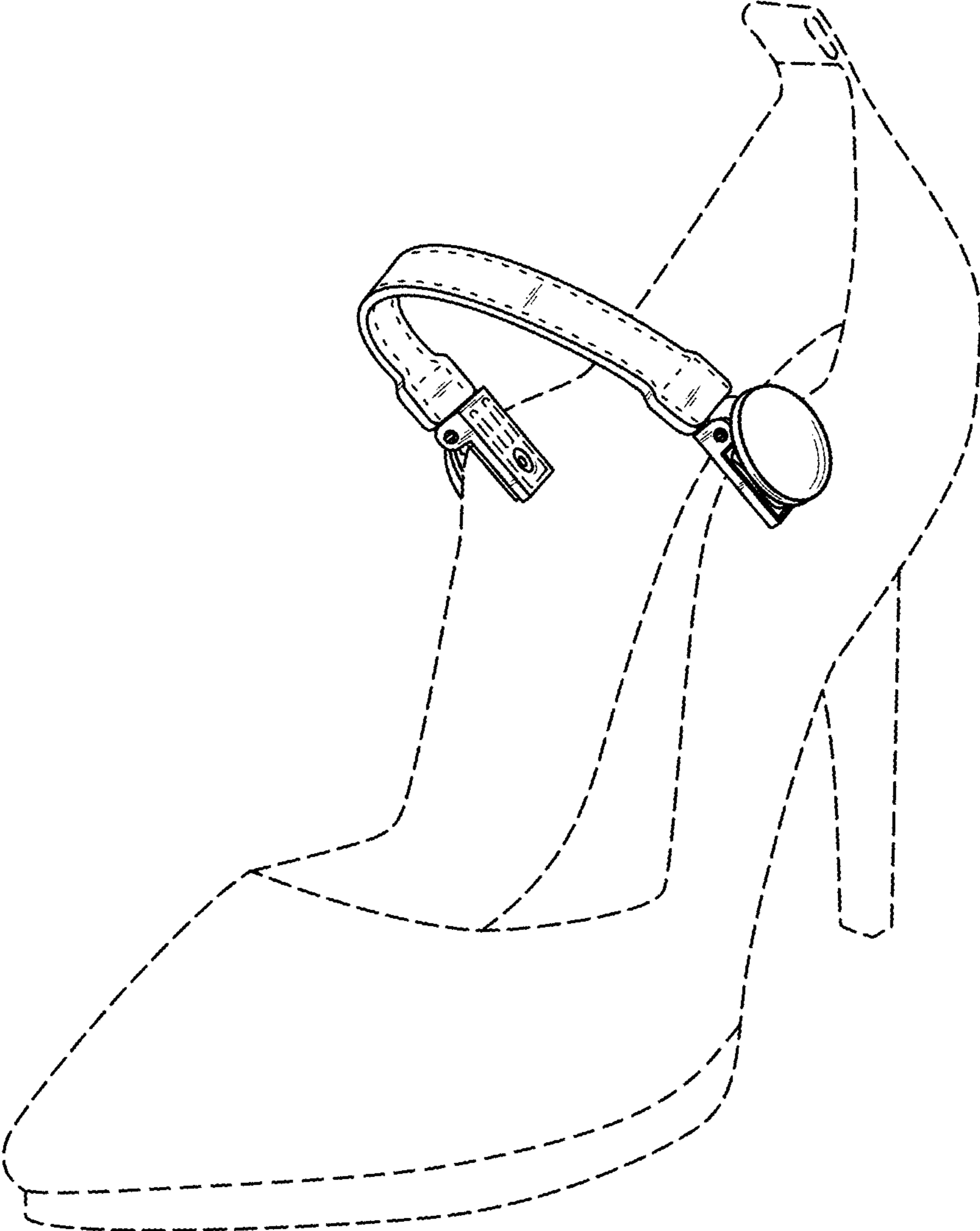


FIG. 9