



US00D769608S

(12) **United States Design Patent** (10) **Patent No.:** **US D769,608 S**
Wiens (45) **Date of Patent:** **** Oct. 25, 2016**

(54) **FOOTWEAR CLOSURE**
(71) Applicant: **Zubits, LLC**, Danville, CA (US)
(72) Inventor: **Ryan Wiens**, Danville, CA (US)
(73) Assignee: **Zubits, LLC**, Kent, WA (US)
(**) Term: **14 Years**

(21) Appl. No.: **29/511,692**
(22) Filed: **Dec. 12, 2014**
(51) **LOC (10) Cl.** **02-99**
(52) **U.S. Cl.**
USPC **D2/978**
(58) **Field of Classification Search**
USPC D2/896, 946, 969, 973, 976, 978
CPC A43B 3/0078; A43B 23/00; A43B 23/24;
A45F 5/02; A43C 1/00; A43C 1/02; A43C
1/04; A43C 7/00; A43C 7/005; A43C 7/04;
A43C 7/06; A43C 11/00; A43C 11/08;
A43C 11/12; A43C 11/20; A43C 11/24
See application file for complete search history.

(56) **References Cited**
U.S. PATENT DOCUMENTS
1,314,805 A * 9/1919 Hinckley A43C 7/00
24/712.2
D210,649 S * 4/1968 Getgey D2/978
(Continued)

FOREIGN PATENT DOCUMENTS
CN 201854765 U 6/2011
DE 102011012159 A1 11/2011
(Continued)

OTHER PUBLICATIONS
English-language abstract of Japanese Patent Application Publica-
tion No. JP H10225306 A, European Patent Office, Aug. 25, 1998.
(Continued)

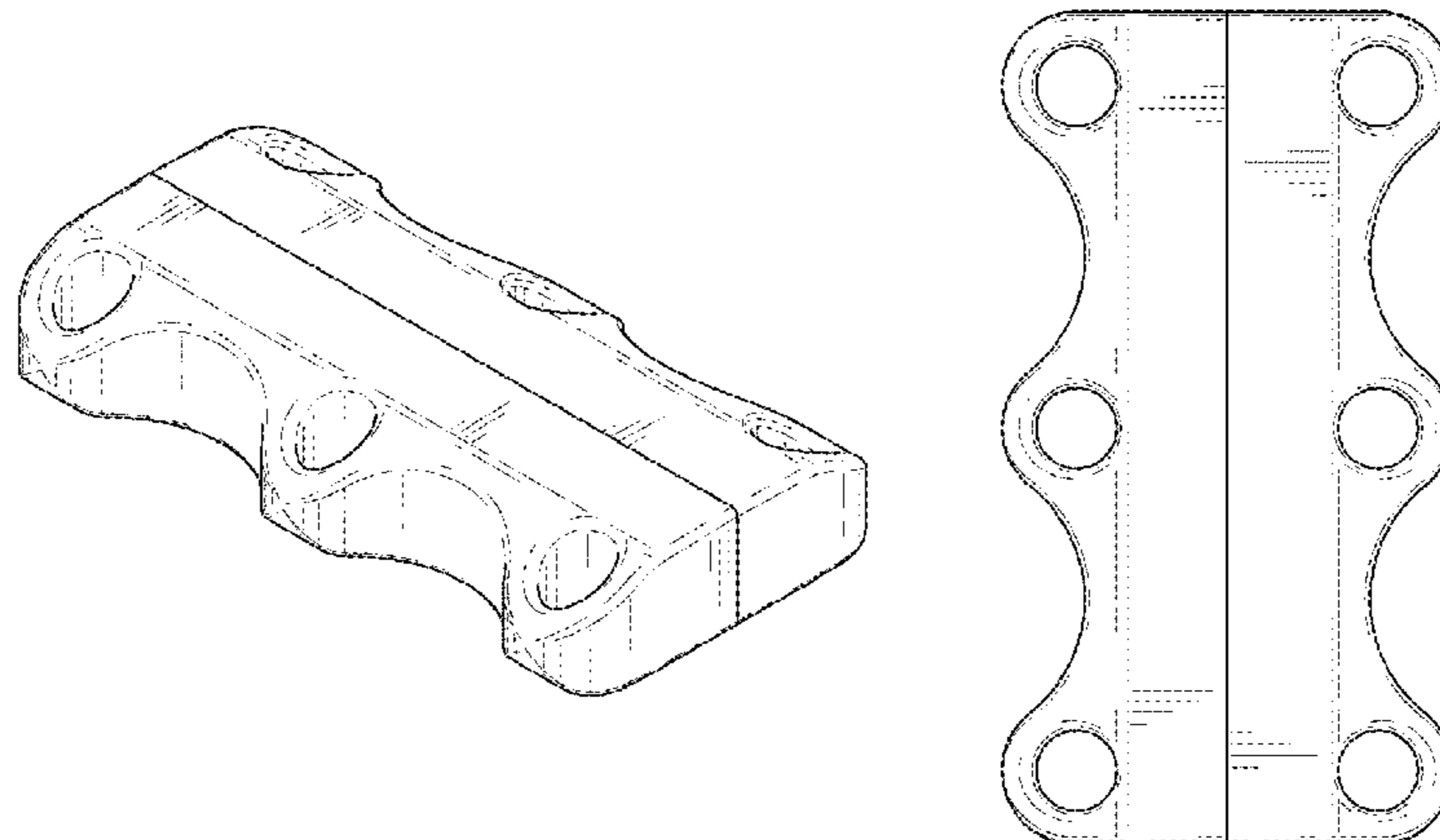
Primary Examiner — Elizabeth J Oswecki
(74) *Attorney, Agent, or Firm* — DASCENZO Intellectual
Property Law, P.C.

(57) **CLAIM**
The ornamental design for a footwear closure, as shown and
described.

DESCRIPTION

FIG. 1 is an isometric view of a footwear closure showing
my new design;
FIG. 2 is a top plan view of the footwear closure of FIG. 1;
FIG. 3 is a bottom plan view of the footwear closure of FIG.
1;
FIG. 4 is a side elevation view of the footwear closure of
FIG. 1;
FIG. 5 is an opposite side elevation view of the footwear
closure of FIG. 1;
FIG. 6 is a front elevation view of the footwear closure of
FIG. 1;
FIG. 7 is a rear elevation view of the footwear closure of
FIG. 1;
FIG. 8 is an isometric view of a pair of the footwear closures
of FIG. 1 joined as a set to form a footwear closure
assembly;
FIG. 9 is a top plan view of the pair of footwear closures of
FIG. 8;
FIG. 10 is a bottom plan view of the pair of footwear
closures of FIG. 8;
FIG. 11 is a side elevation view of the pair of footwear
closures of FIG. 8;
FIG. 12 is an opposite side elevation view of the pair of
footwear closures of FIG. 8;
FIG. 13 is a front elevation view of the pair of footwear
closures of FIG. 8;
FIG. 14 is a rear elevation view of the pair of footwear
closures of FIG. 8; and,
FIG. 15 is a perspective view of the pair of footwear closures
of FIG. 8, shown in a used condition to secure the laces of
an article of footwear, which is shown in dashed lines and
forms no part of the claimed design.

1 Claim, 5 Drawing Sheets



(56)

References Cited

U.S. PATENT DOCUMENTS

4,414,761 A 11/1983 Mahood
 4,879,787 A * 11/1989 Walls A43B 3/0078
 24/306
 4,949,437 A * 8/1990 Anderson A43C 7/02
 24/712.2
 4,967,454 A 11/1990 Elieff
 5,353,483 A 10/1994 Louviere
 5,537,763 A 7/1996 Donnadiou et al.
 6,532,687 B2 3/2003 Towns et al.
 6,568,104 B2 5/2003 Liu
 6,571,437 B2 6/2003 Liu
 6,647,597 B2 11/2003 Reiter
 6,671,980 B1 1/2004 Liu
 D493,029 S * 7/2004 Jacobs D2/978
 6,880,270 B2 4/2005 Prather
 6,892,428 B2 5/2005 Reiter
 7,152,286 B2 12/2006 Rooney et al.
 D547,532 S * 7/2007 White, Sr. D2/946
 7,640,640 B1 * 1/2010 Watkins A43C 7/02
 24/712.3
 7,650,706 B2 * 1/2010 Wartel A43B 1/0081
 24/712.3
 D624,299 S * 9/2010 Lindow D2/978
 D626,322 S * 11/2010 Servettaz D2/978
 D630,419 S * 1/2011 Torrance D2/946
 7,895,774 B2 3/2011 Pawsey
 7,975,403 B2 7/2011 Mosher
 D664,348 S * 7/2012 Armstrong D2/946
 8,245,418 B2 8/2012 Paintin et al.
 8,590,121 B1 11/2013 Patt, Jr. et al.

8,677,578 B2 * 3/2014 Singh A43C 7/005
 24/712.2
 8,739,373 B1 * 6/2014 Berman A43C 7/04
 24/712.6
 D738,098 S * 9/2015 Sakochi D2/978
 D747,866 S * 1/2016 Armstrong D2/978
 D751,804 S * 3/2016 Van Assche D2/978
 2004/0006856 A1 * 1/2004 Moreno A43C 7/02
 24/712.3
 2006/0190041 A1 8/2006 Fallin et al.
 2006/0288557 A1 12/2006 Crumrine et al.
 2008/0271299 A1 11/2008 Kilbarger
 2009/0172929 A1 7/2009 Hwang
 2010/0018018 A1 * 1/2010 Tong A43B 1/0054
 24/712.3
 2010/0218349 A1 9/2010 Whang
 2013/0199006 A1 8/2013 Harris et al.
 2014/0137432 A1 5/2014 Eldem

FOREIGN PATENT DOCUMENTS

JP H10225306 A 8/1998
 WO WO 2005/082191 9/2005

OTHER PUBLICATIONS

English-language abstract of Chinese Patent Application Publication No. CN 201854765 U, European Patent Office, Jun. 8, 2011.
 English-language abstract of German Patent Application Publication No. DE 102011012159 A1, European Patent Office, Nov. 17, 2011.

* cited by examiner

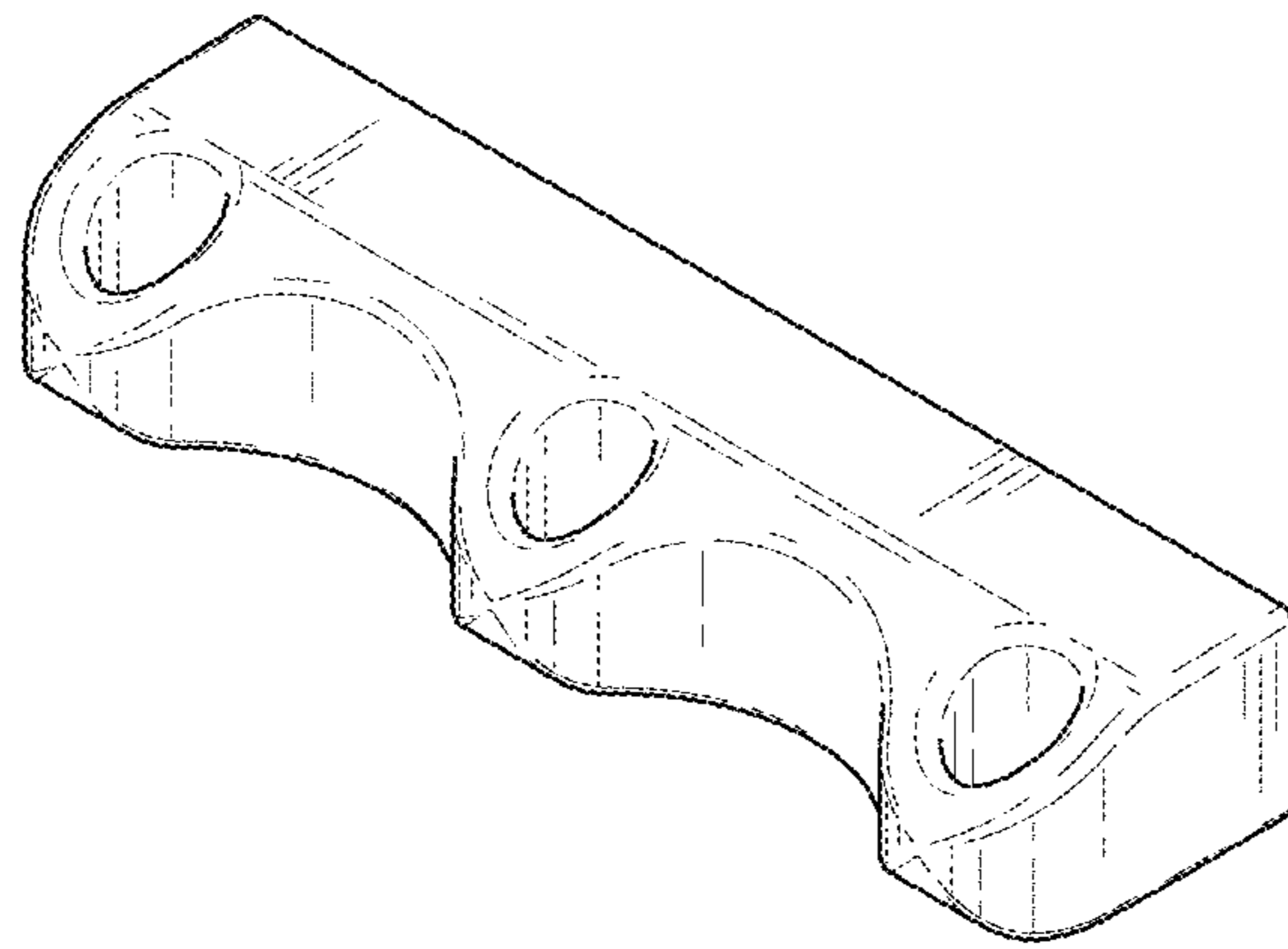


Fig. 1

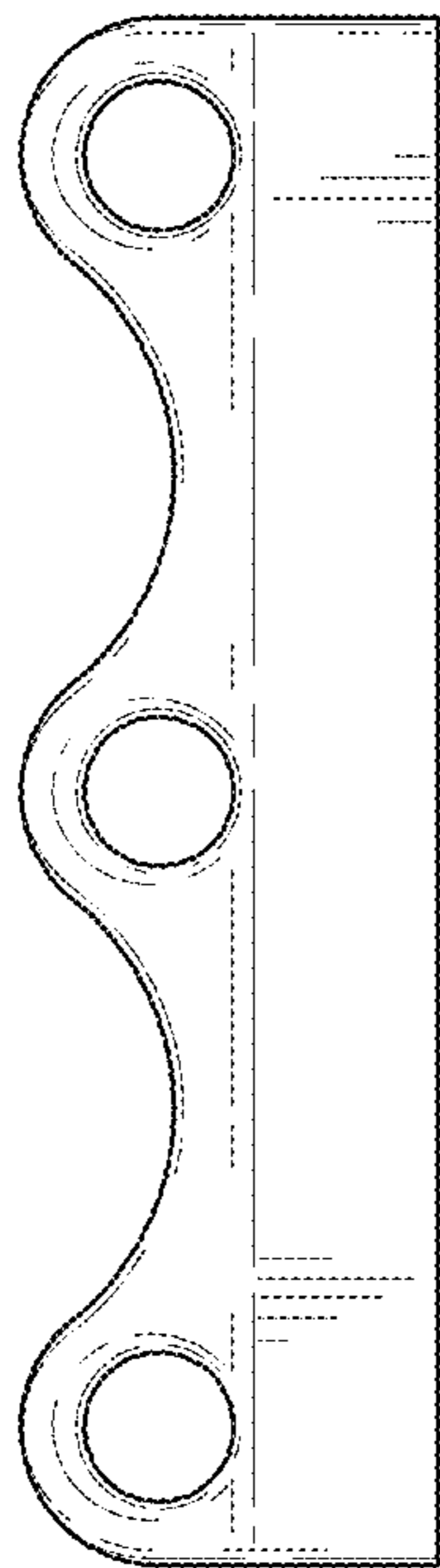


Fig. 2

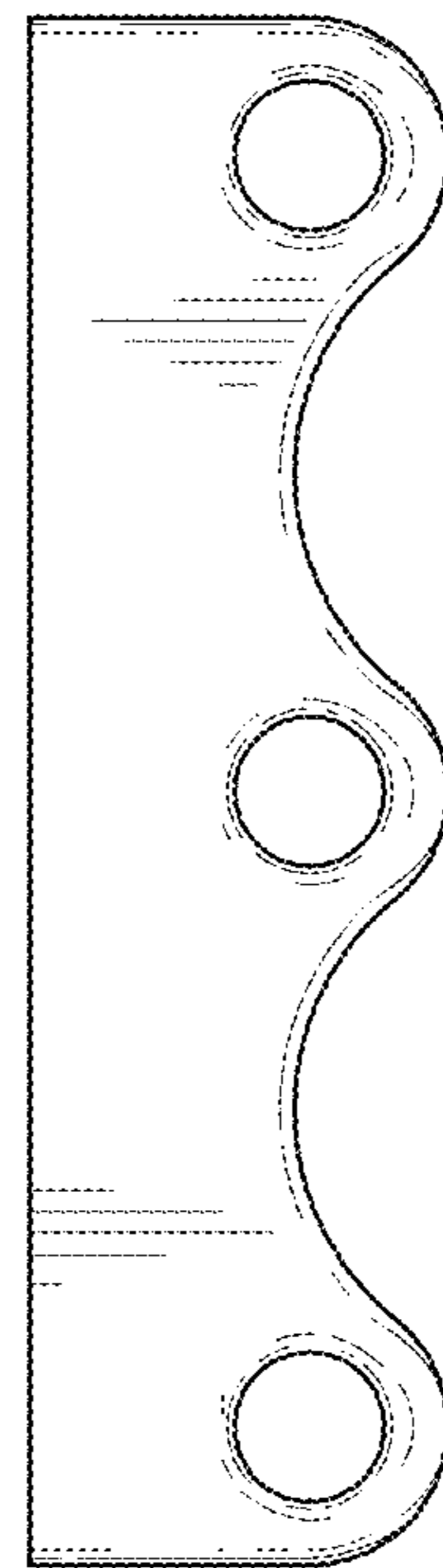


Fig. 3

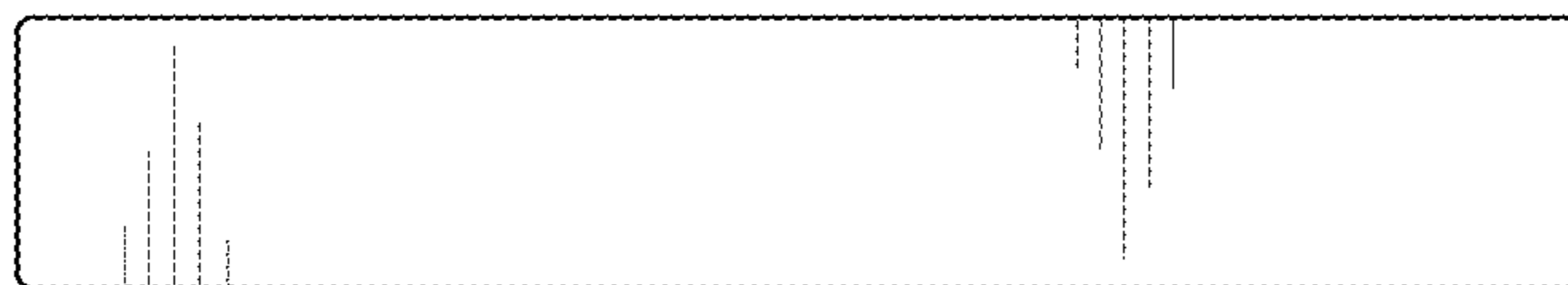


Fig. 4



Fig. 5

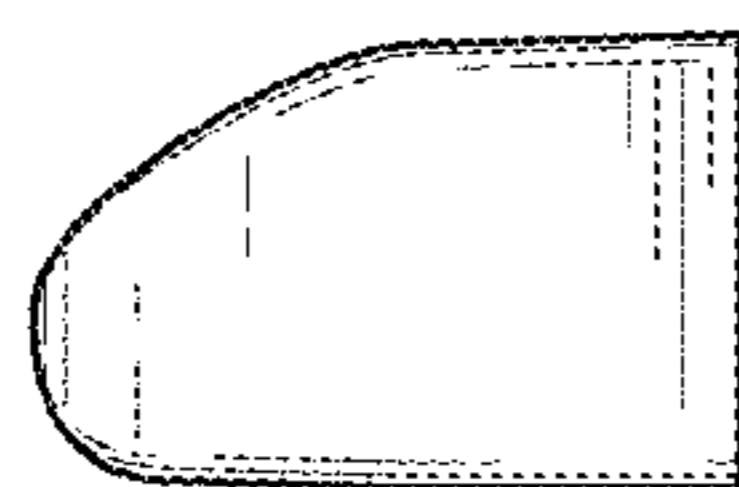


Fig. 6

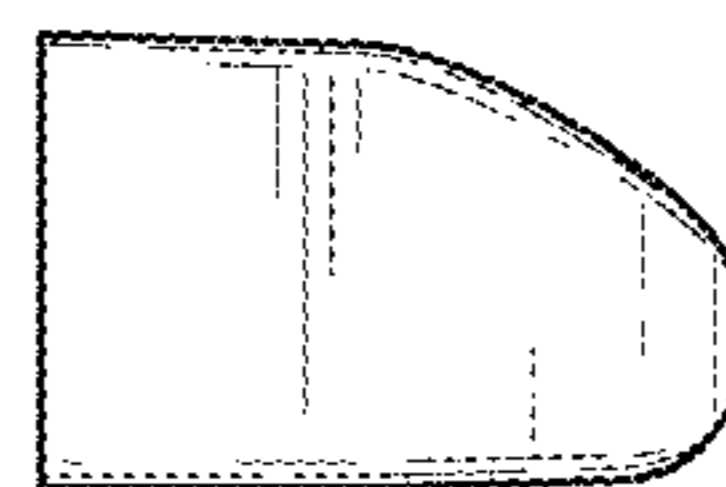


Fig. 7

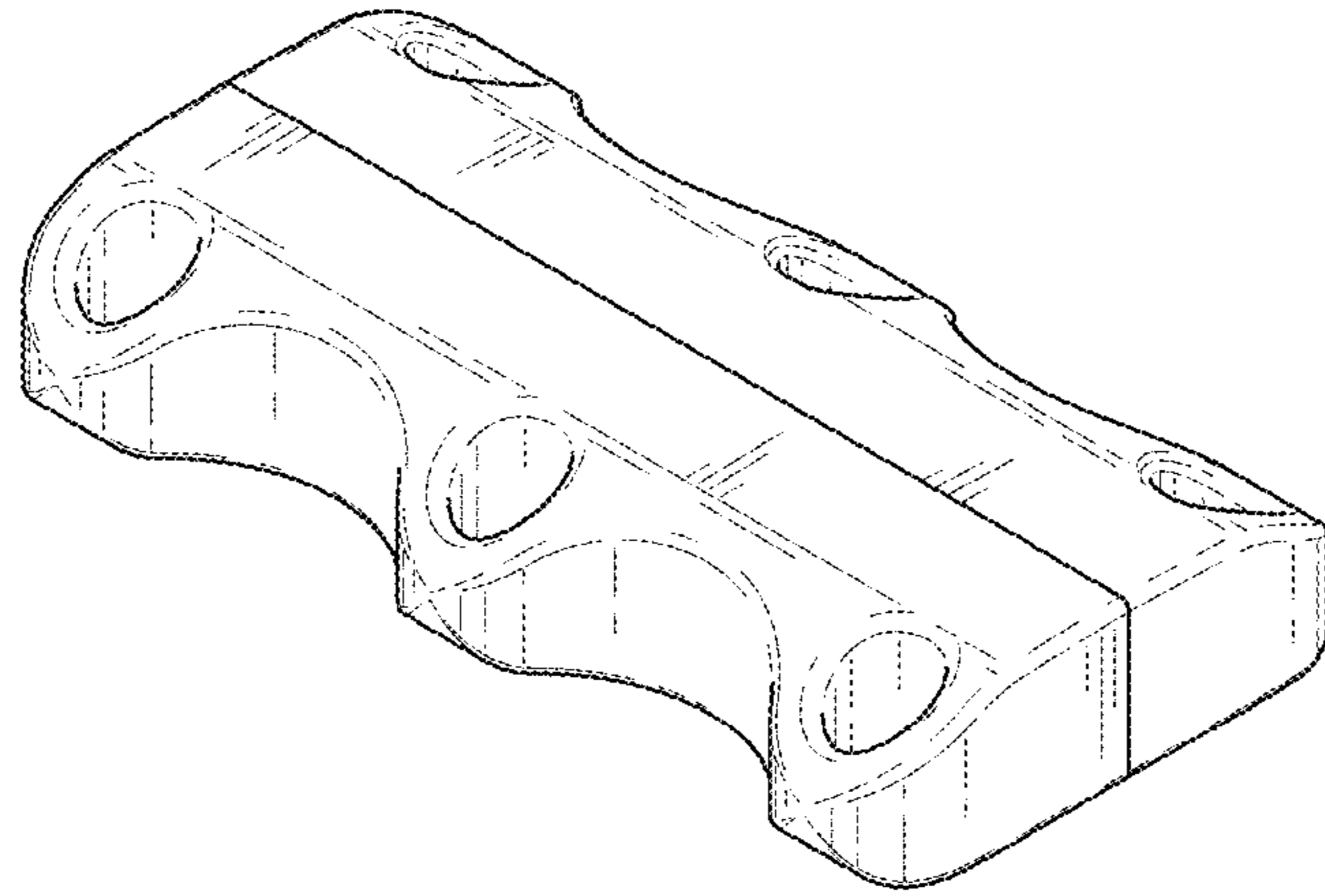


Fig. 8

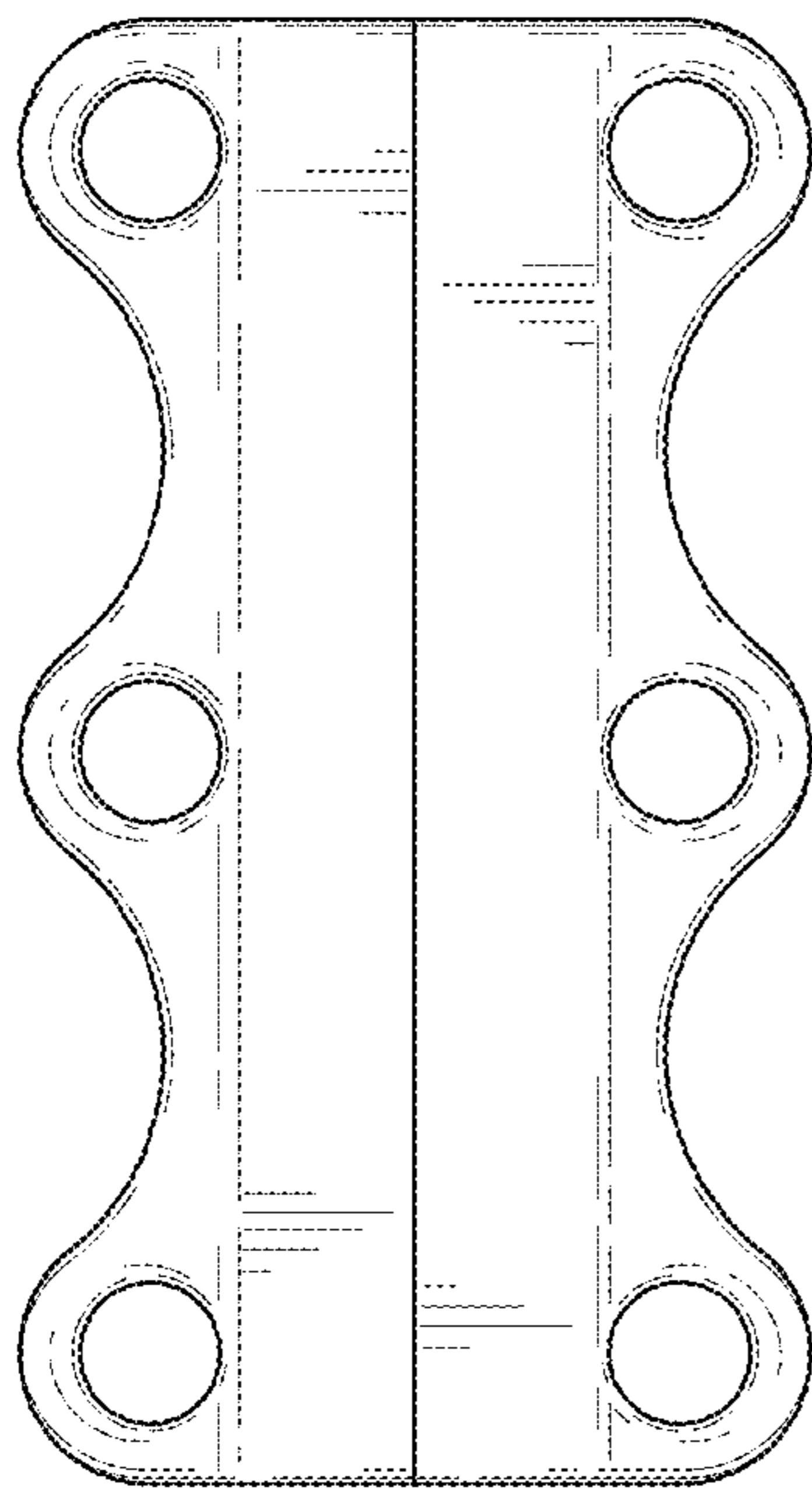


Fig. 9

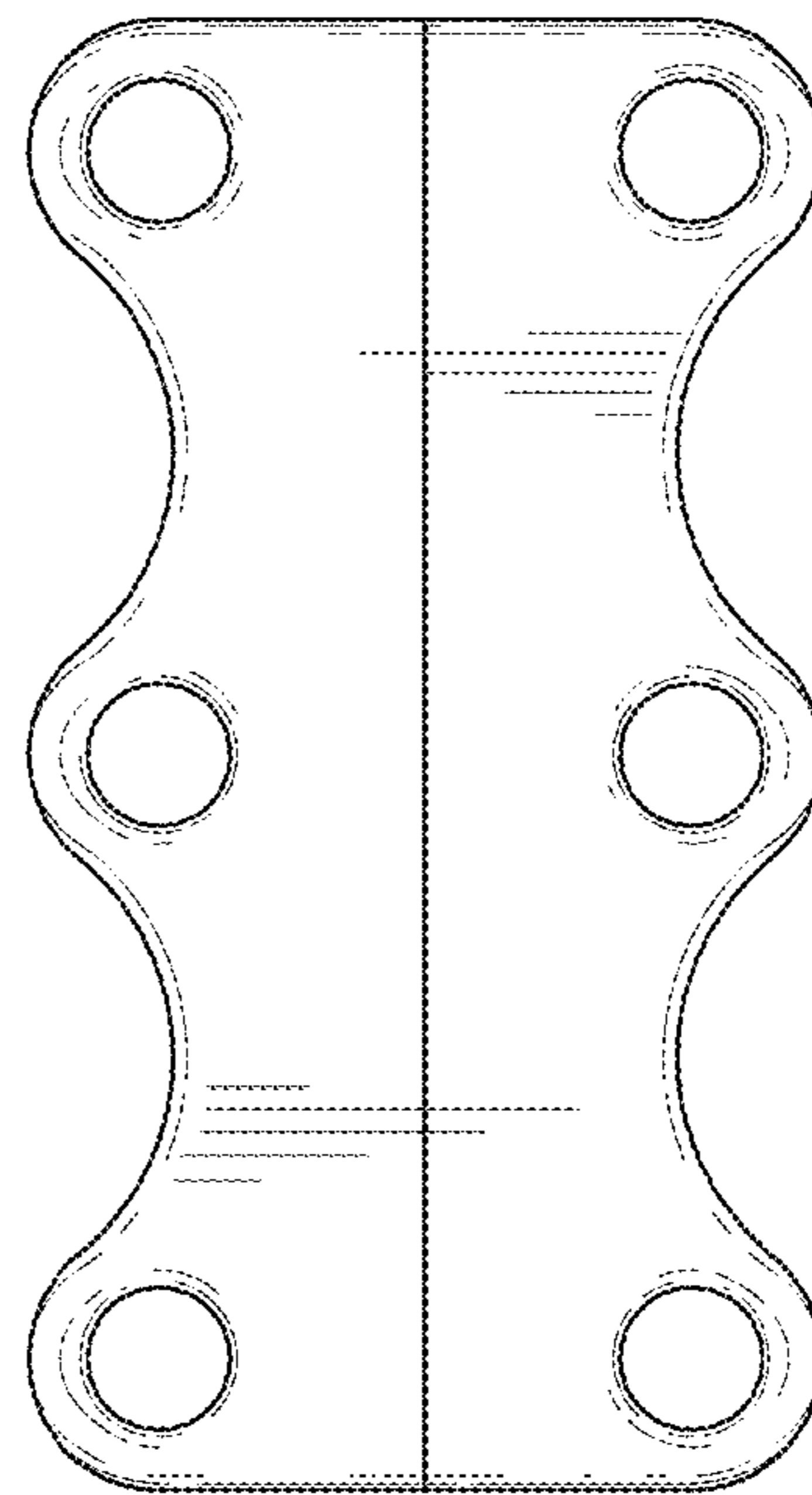


Fig. 10

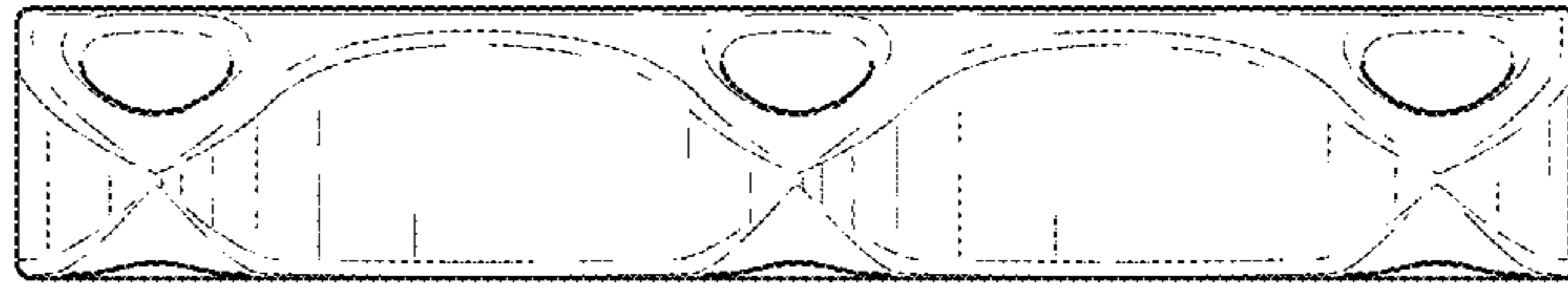


Fig. 11

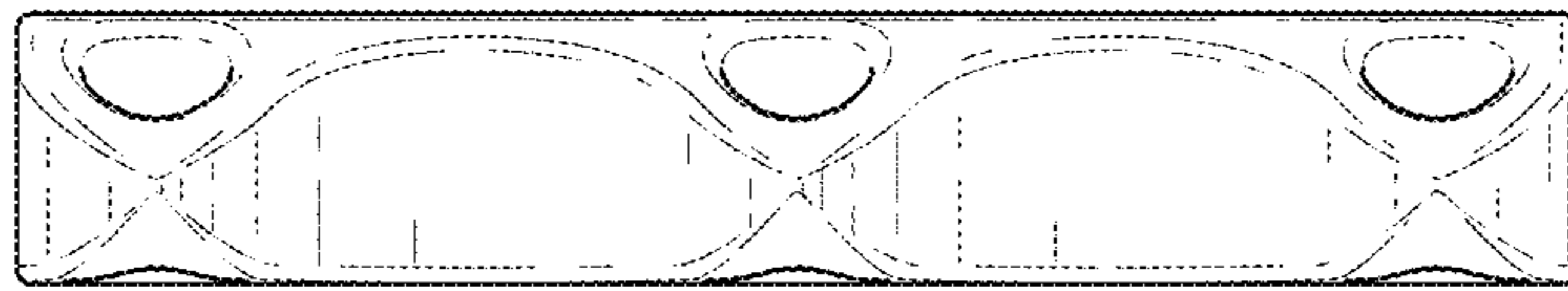


Fig. 12

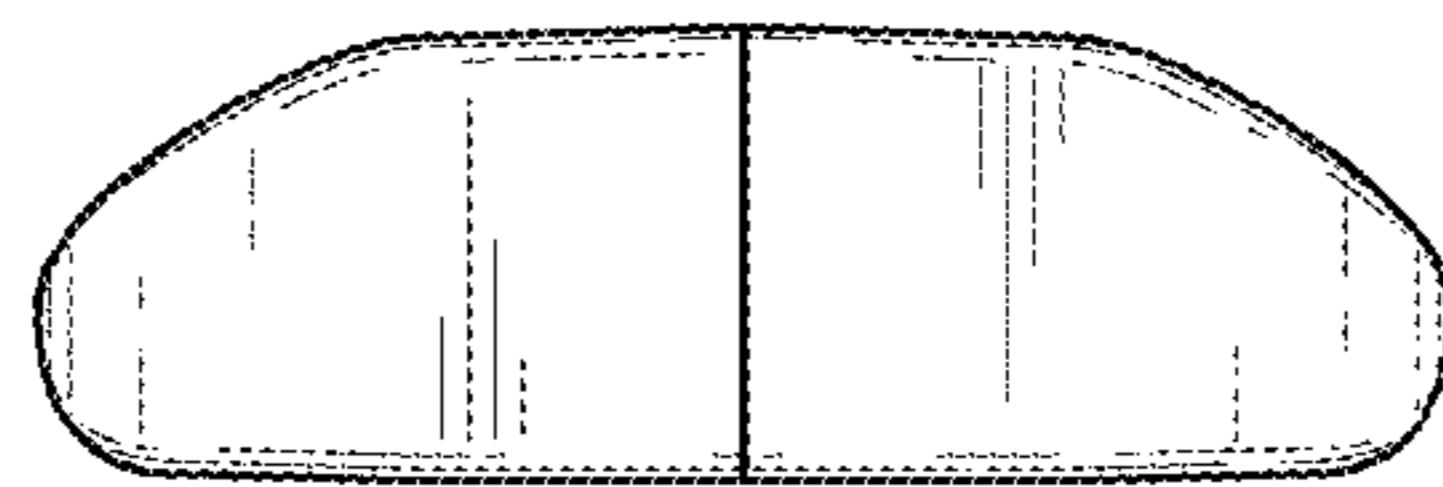


Fig. 13

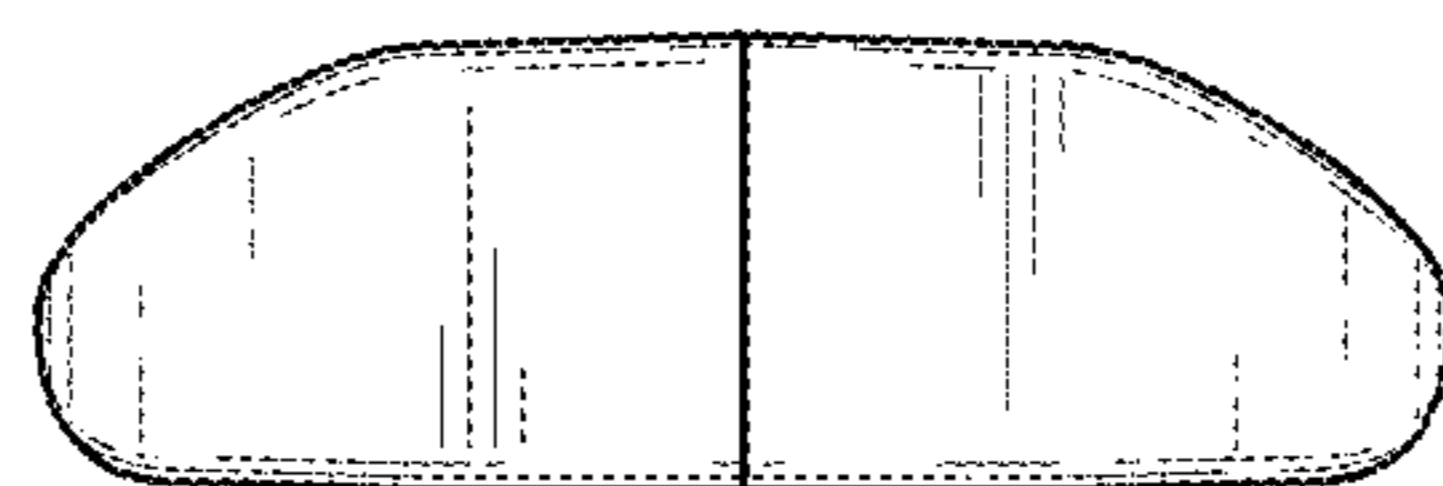


Fig. 14

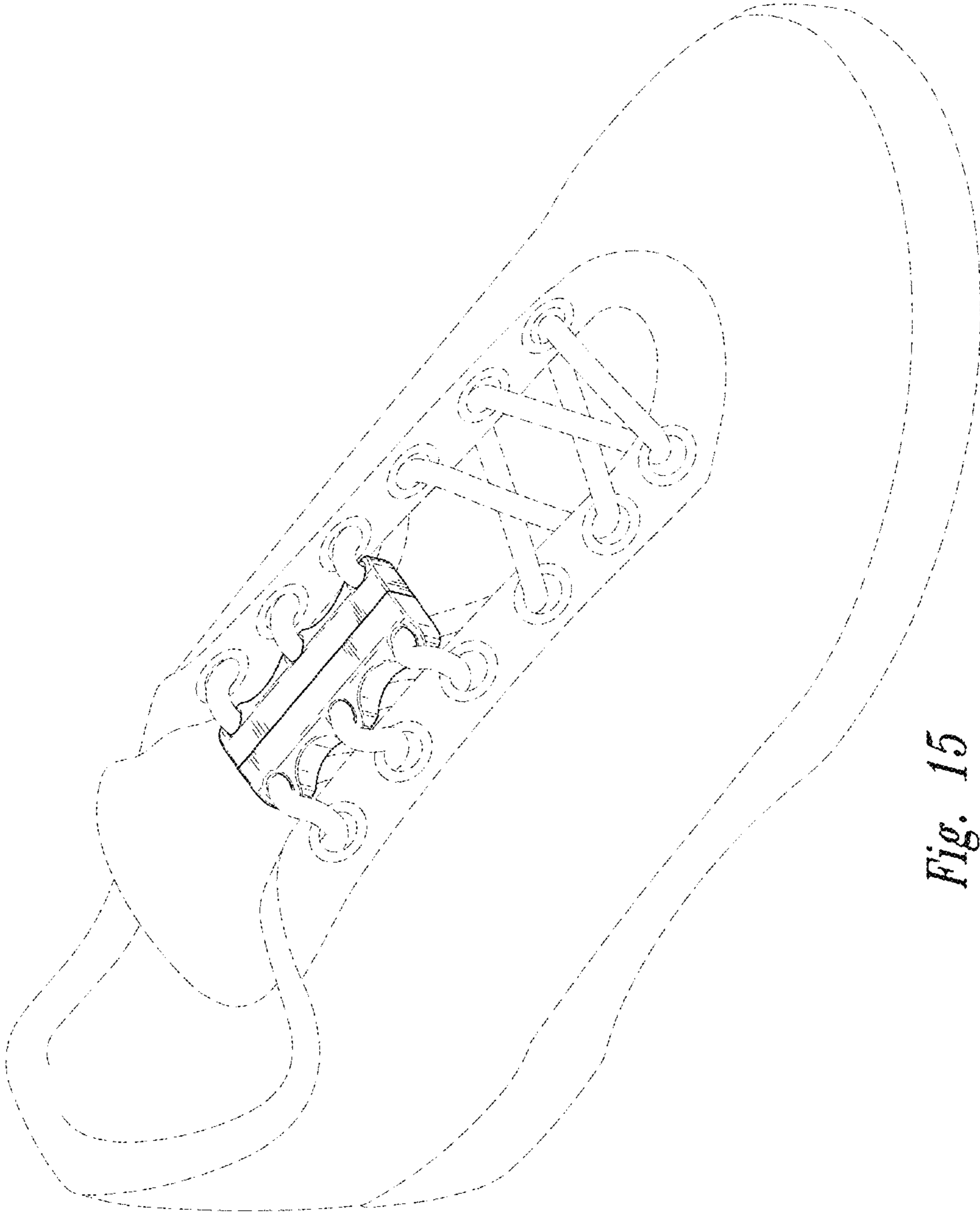


Fig. 15