



US00D769585S

(12) **United States Design Patent**  
**Reaux**

(10) **Patent No.:** **US D769,585 S**

(45) **Date of Patent:** **\*\* Oct. 25, 2016**

(54) **TRAPPER HAT**

(71) Applicant: **Brian K. Reaux**, Red Oak, TX (US)

(72) Inventor: **Brian K. Reaux**, Red Oak, TX (US)

(\*\*) Term: **14 Years**

(21) Appl. No.: **29/474,794**

(22) Filed: **Feb. 10, 2015**

(51) **LOC (10) Cl.** ..... **02-03**

(52) **U.S. Cl.**  
USPC ..... **D2/879; D2/891**

(58) **Field of Classification Search**  
USPC ..... D2/615, 617, 619, 865, 866, 869, 870,  
D2/871, 872, 878, 882, 889, 891, 895,  
D2/879; D11/104; D20/29, 30, 32, 33;  
D29/112, 122, 129

CPC ..... A42B 1/004; A42B 1/04; A42B 1/041;  
A42B 1/06; A42B 1/061; A42B 1/062;  
A42B 1/066; A42B 1/068; A42B 1/12

See application file for complete search history.

(56) **References Cited**

**U.S. PATENT DOCUMENTS**

1,624,429	A *	4/1927	Palmer	.....	A41D 19/0024	2/159
2,159,609	A *	5/1939	Wengen	.....	A42B 1/041	2/209
D135,206	S *	3/1943	Mynors	.....	D11/32	
D169,971	S *	7/1953	Geisel	.....	D11/160	
D173,340	S *	11/1954	Dannenberg	.....	D2/879	
D279,727	S *	7/1985	Mitchell	.....	446/27	
D310,109	S *	8/1990	Vega	.....	D20/32	
D339,668	S *	9/1993	Ochs	.....	D2/872	

D406,190	S *	3/1999	Hagerty	.....	D2/865	
D495,749	S *	9/2004	Van Veen	.....	D20/32	
D609,428	S *	2/2010	Bengyak	.....	D2/615	
D631,637	S *	2/2011	Bengyak	.....	D2/617	
D636,557	S *	4/2011	Bengyak	.....	D2/615	
D674,988	S *	1/2013	Bengyak	.....	D2/617	
8,434,164	B2 *	5/2013	Clark	.....	A41D 19/0051	2/161.1

\* cited by examiner

*Primary Examiner* — Karen E. Eldridge Powers

*Assistant Examiner* — Jasmine Mlinarcik

(57) **CLAIM**

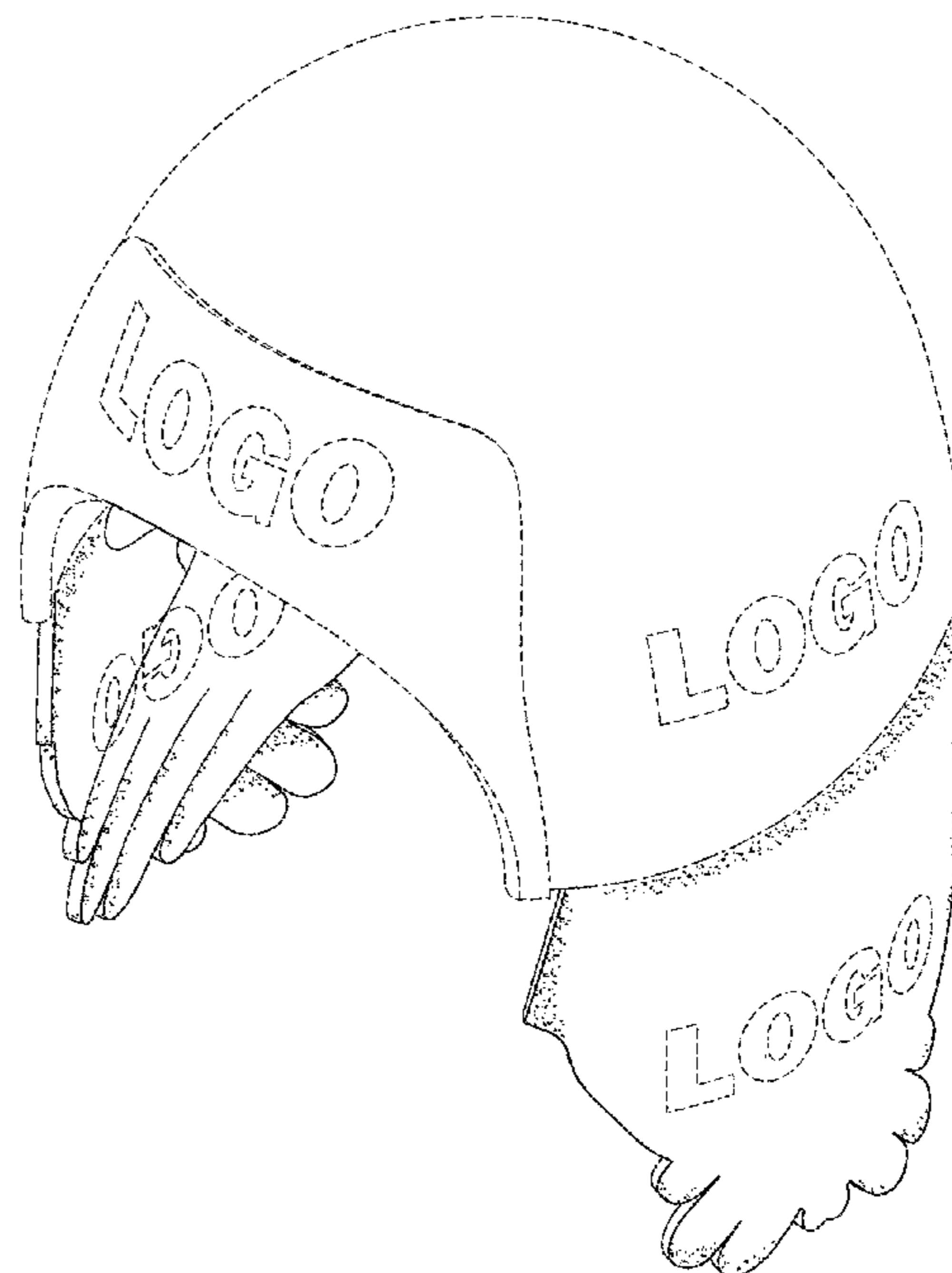
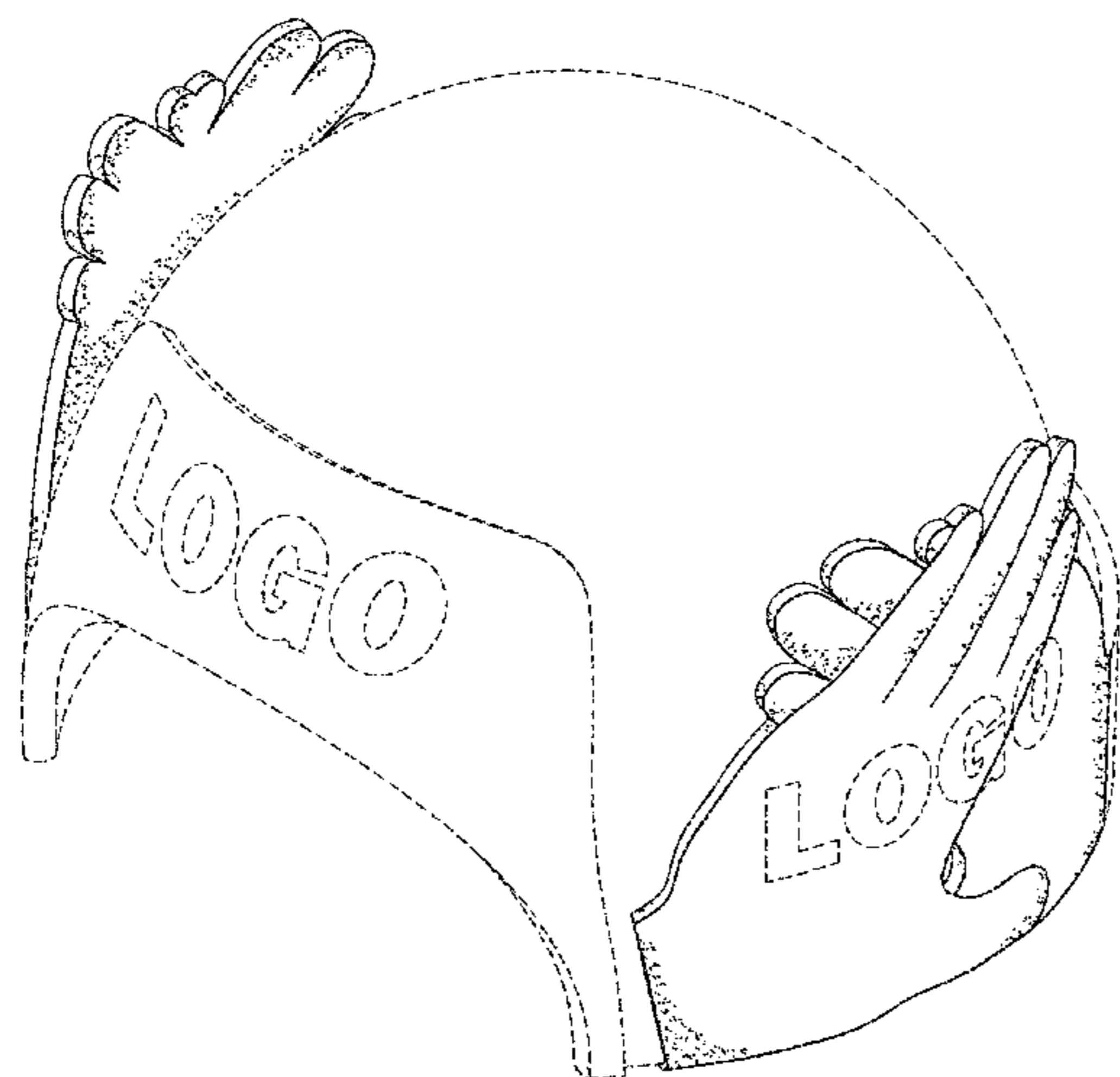
The ornamental design for a trapper hat, as shown and described.

**DESCRIPTION**

FIG. 1 is a left side perspective view of a trapper hat with the earmuffs shown in the upward position; FIG. 2 is a front elevation view thereof; FIG. 3 is a rear elevation view thereof; FIG. 4 is a left side elevation view thereof; FIG. 5 is a right side elevation view thereof; FIG. 6 is a top plan view thereof; FIG. 7 is a bottom plan view thereof; and, FIG. 8 is a left side perspective view of the trapper hat in an alternate position with the earmuffs shown in the downward position.

The broken lines illustrate environmental structure and form no part of the claimed design. The “dash-dot-dash” broken lines shown in FIG. 8 illustrates the bounds of the claimed design.

**1 Claim, 8 Drawing Sheets**



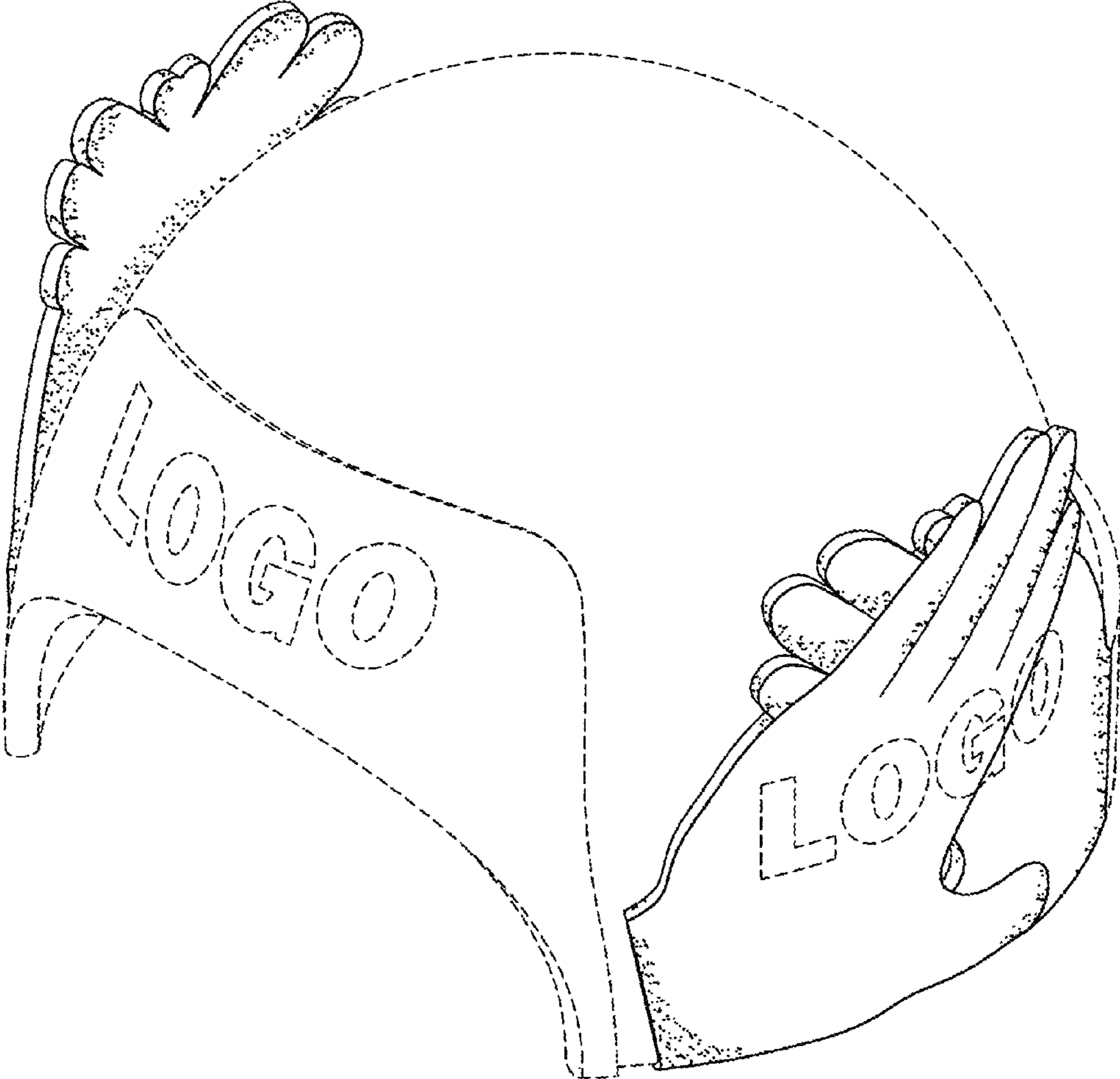


FIG. 1

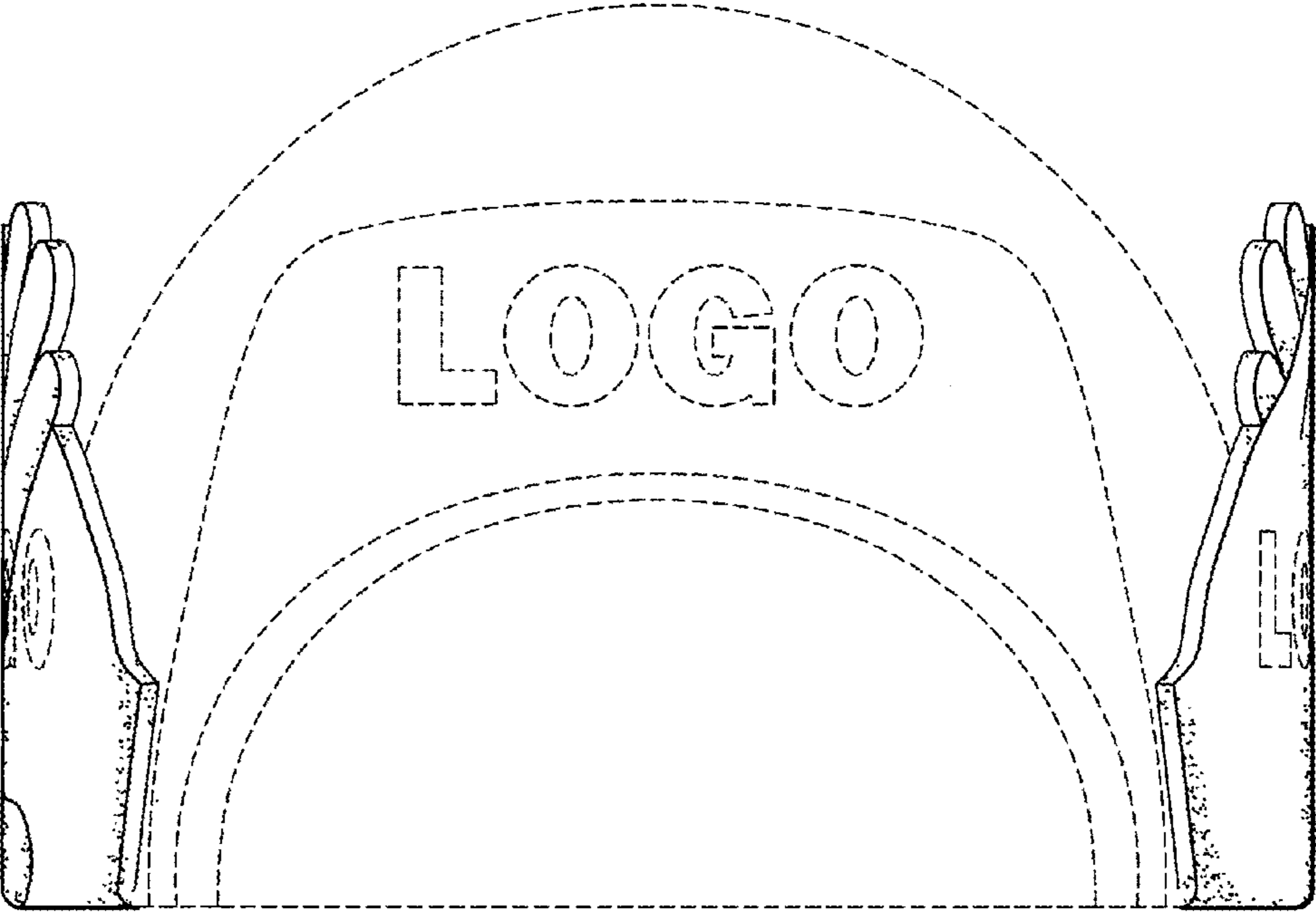


FIG. 2

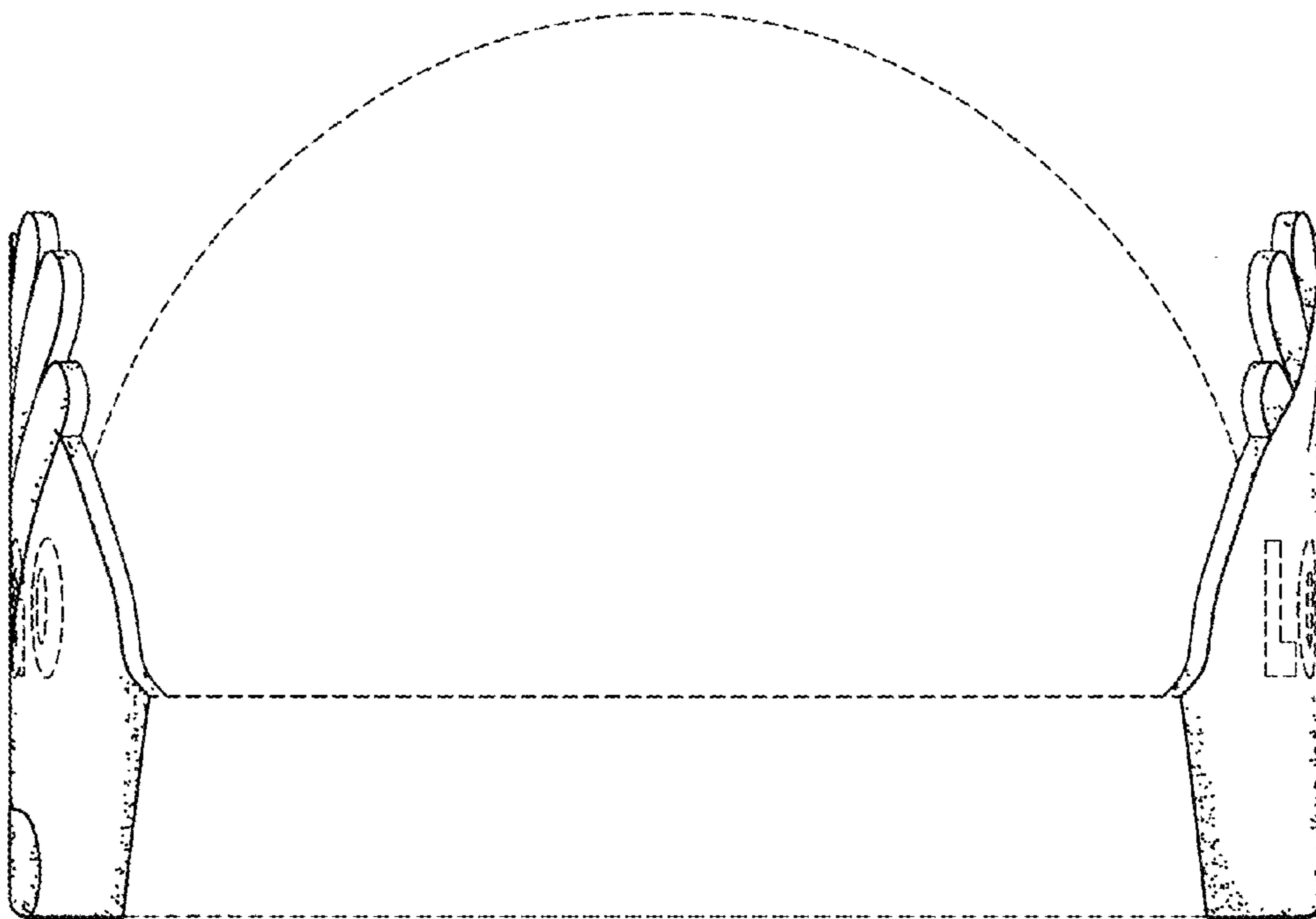


FIG. 3

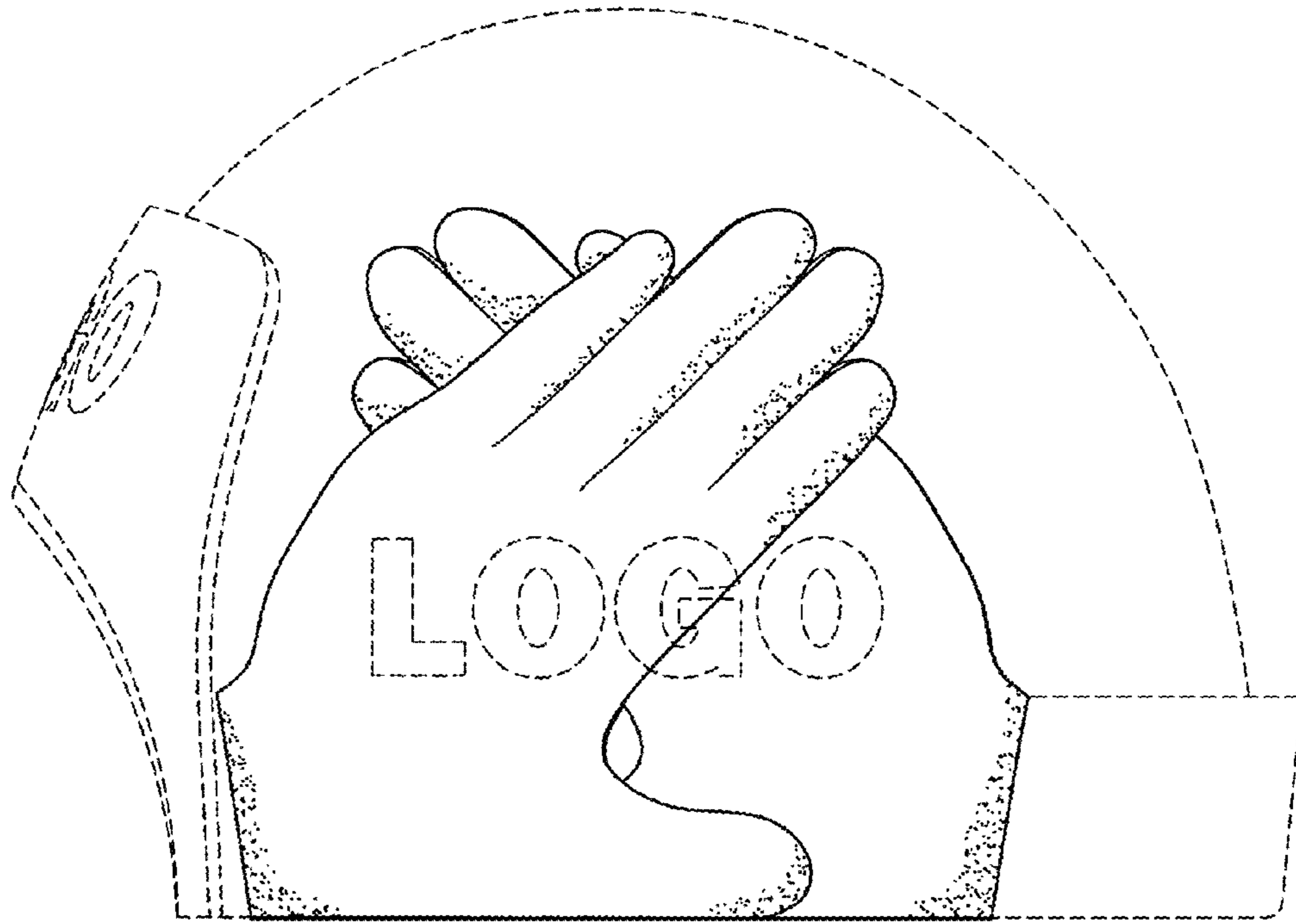


FIG. 4

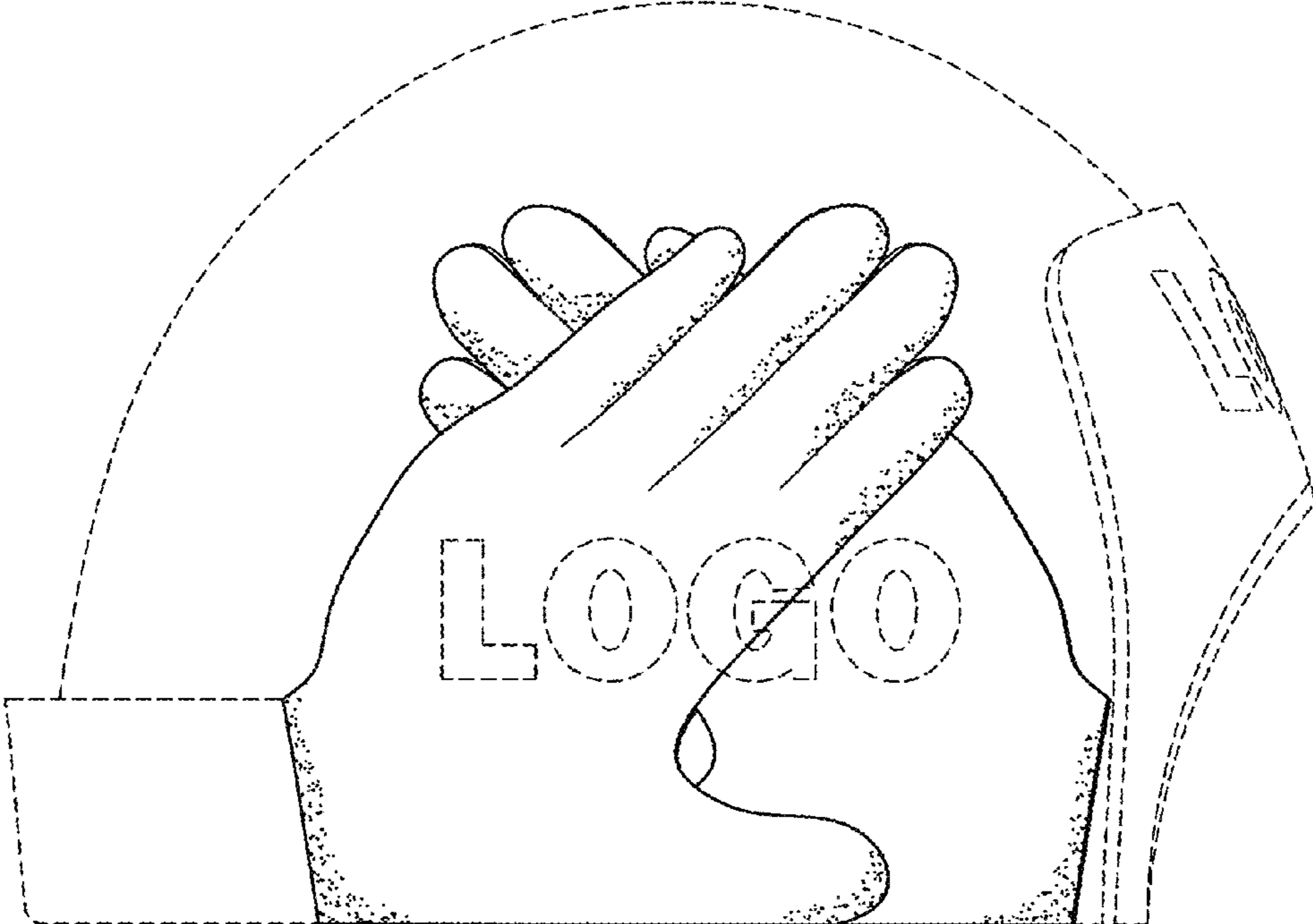


FIG. 5



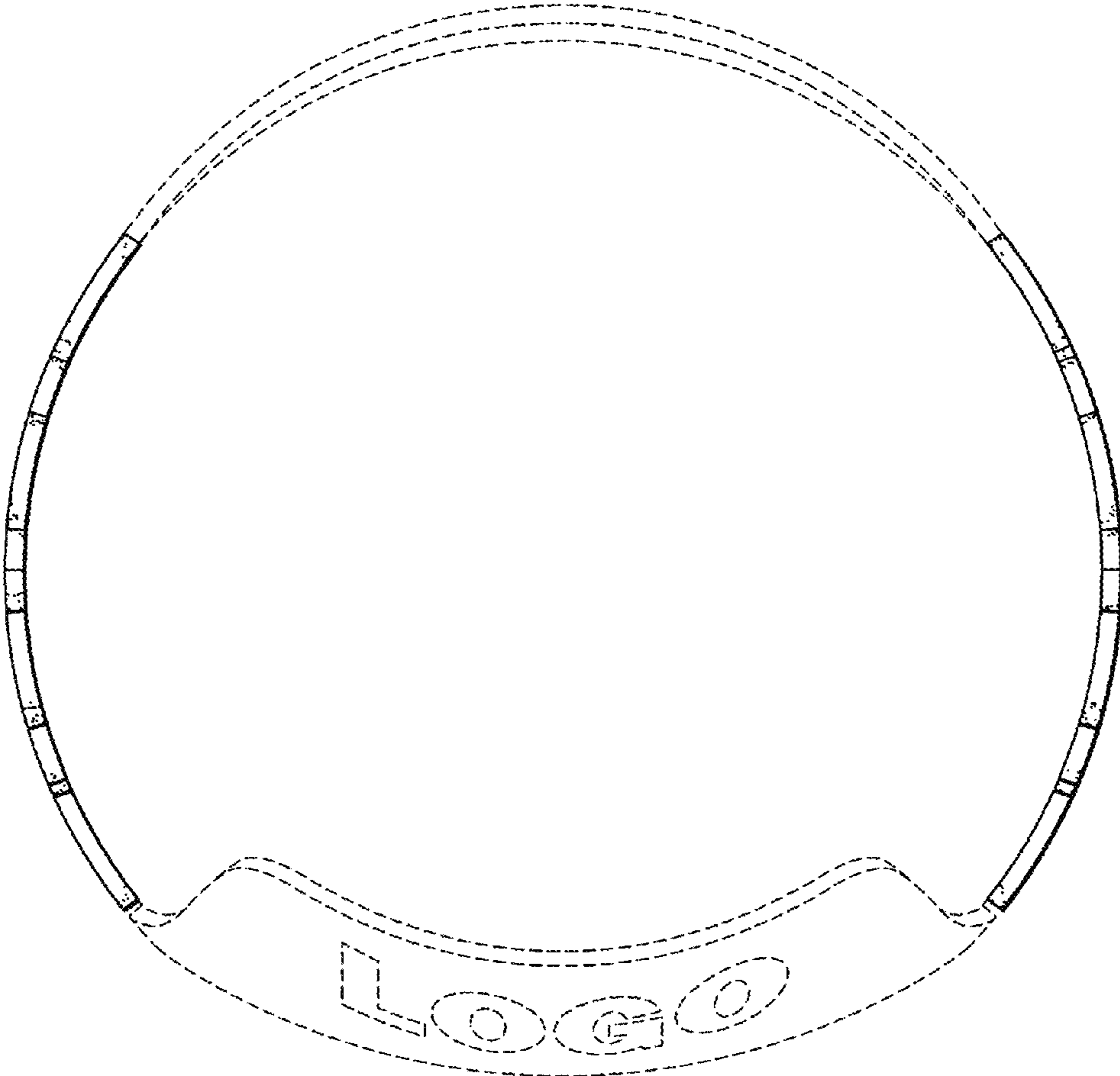


FIG. 6

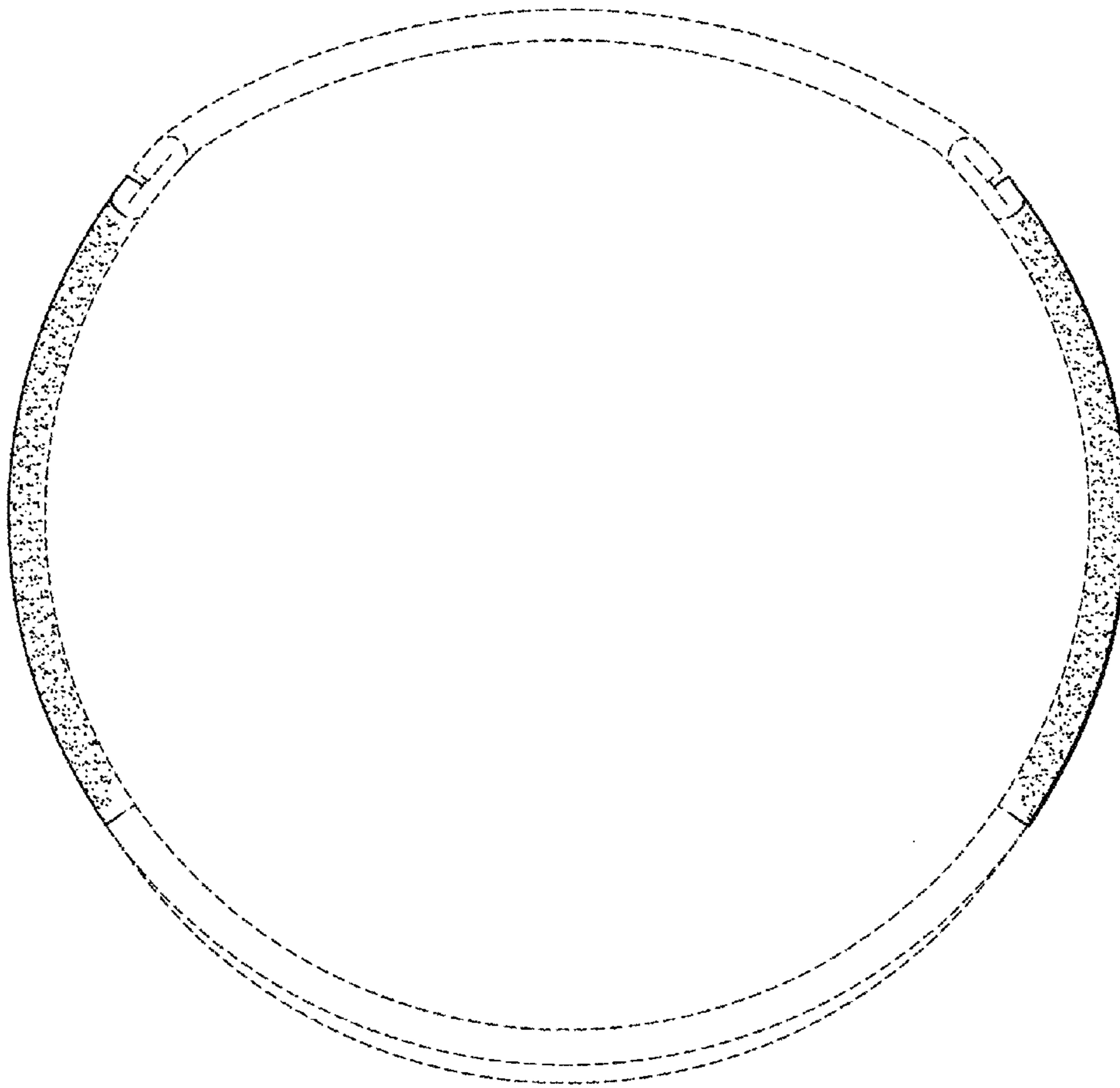


FIG. 7



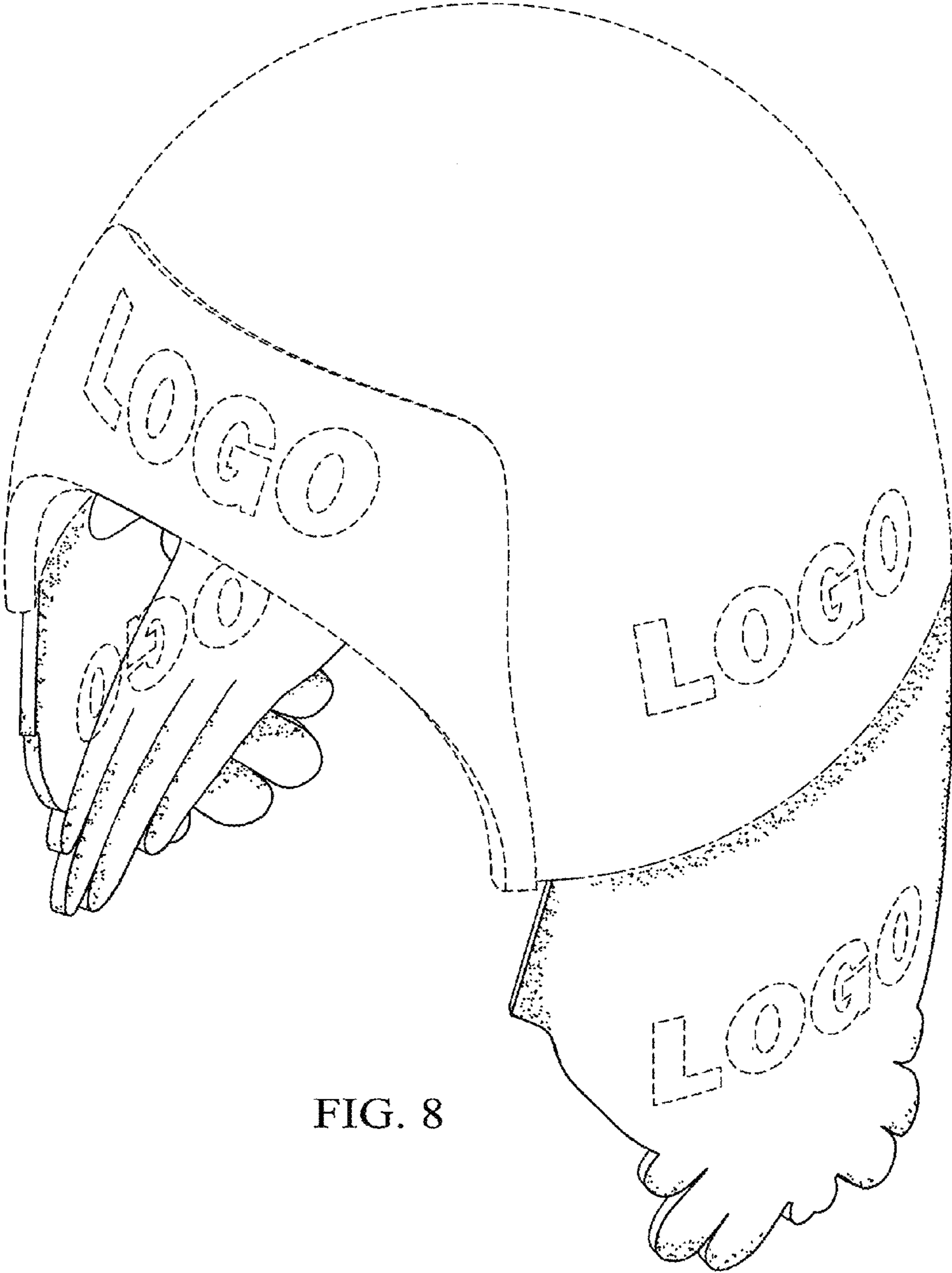


FIG. 8