



US00D769581S

(12) **United States Design Patent** (10) **Patent No.:** **US D769,581 S**
Suhood (45) **Date of Patent:** **** Oct. 25, 2016**

(54) **ARTICLE OF CLOTHING**

D302,208 S * 7/1989 Hischke D2/794
D634,512 S * 3/2011 Dolce D2/828
D747,073 S * 1/2016 Medeiros D2/720

(71) Applicant: **Marielle Veronica Suhood**, Mosman (AU)

(72) Inventor: **Marielle Veronica Suhood**, Mosman (AU)

(**) Term: **15 Years**

(21) Appl. No.: **29/545,310**

(22) Filed: **Nov. 11, 2015**

(30) **Foreign Application Priority Data**

May 12, 2015 (AU) 201512477

(51) **LOC (10) Cl.** **02-02**

(52) **U.S. Cl.**
USPC **D2/834**

(58) **Field of Classification Search**
USPC D2/717-720, 724-727, 823-839, 858
CPC A41D 3/005; A41D 3/02; A41D 3/04;
A41D 3/08; A41D 1/04; A41D 1/18
See application file for complete search history.

(56) **References Cited**

U.S. PATENT DOCUMENTS

1,569,960 A * 1/1926 Geisler A41D 3/08
2/88
D83,787 S * 3/1931 Boehle D2/829
D99,182 S * 4/1936 Bernstein et al. D2/793
D99,948 S * 6/1936 Levi D2/829
D107,524 S * 12/1937 Lefrak D2/823
D117,521 S * 11/1939 Friedman D2/719
D142,326 S * 8/1945 Kaufman D2/829

OTHER PUBLICATIONS

Ladies Sleeveless Double Breasted Split Back Long Vest, posted at amazon.com, earliest date available Aug. 5, 2015, [online], acquired on May 22, 2016. Available from Internet, <URL: http://www.amazon.com/Allegra-Ladies-Sleeveless-Double-Breasted/dp/B013FMZPEK/ref=cts_ap_4_ft>.*
Women's Baggy Sleeveless Turndown Collar Long Suit Vest, posted at amazon.com, earliest date available Aug. 12, 2013, [online], acquired on May 22, 2016. Available from Internet, <URL: <http://www.amazon.com/ELLAZHU-Womens-Sleeveless-Turn-down-Collar/dp/B00EHA6PWQ>>.*

* cited by examiner

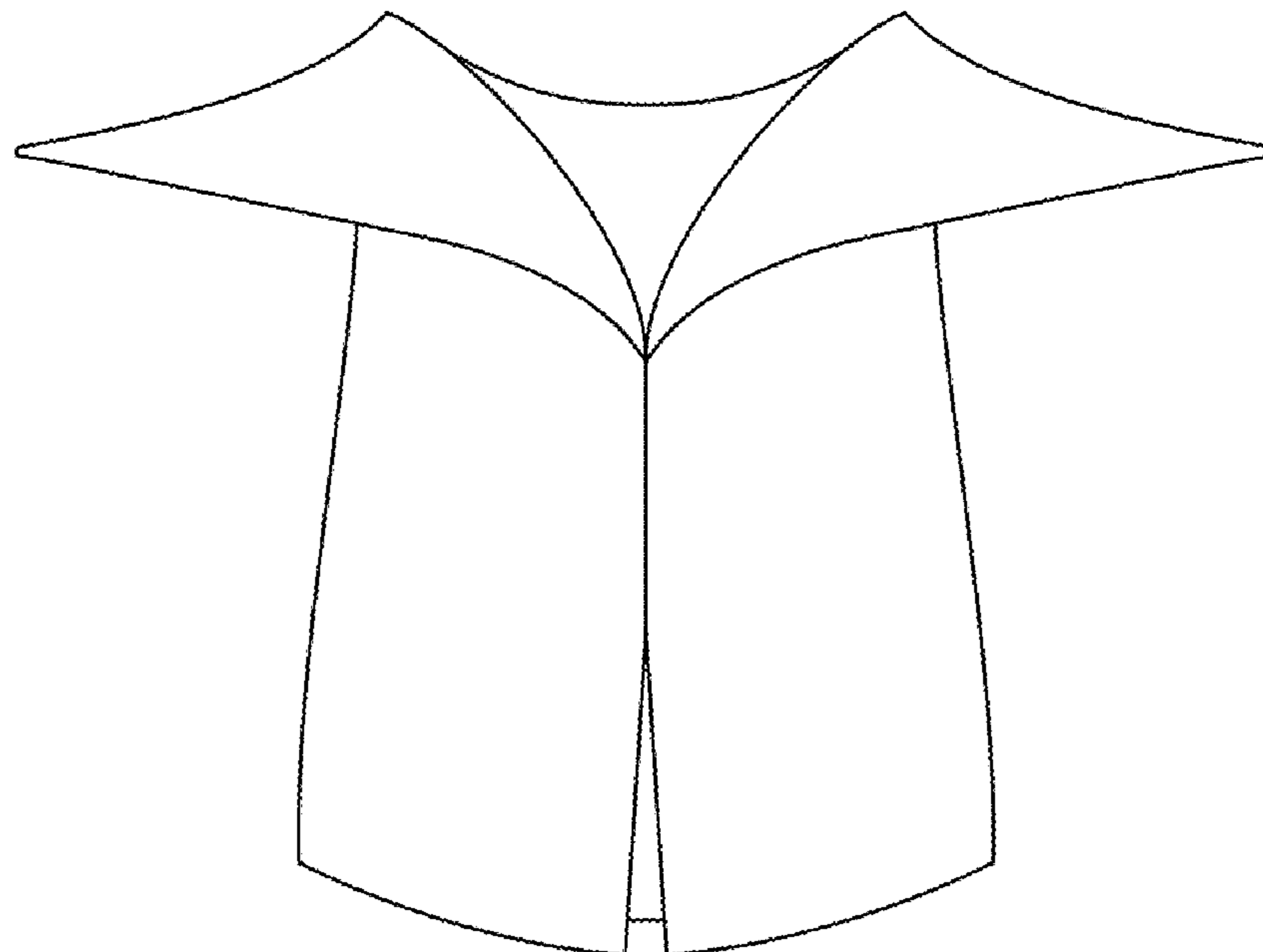
Primary Examiner — Manpreet Matharu
Assistant Examiner — Aula Soroush
(74) *Attorney, Agent, or Firm* — Downs Rachlin Martin PLLC

(57) **CLAIM**
The ornamental design for an article of clothing, as shown and described.

DESCRIPTION

FIG. 1 is a front perspective view of an article of clothing showing my new design;
FIG. 2 is a front elevation view thereof;
FIG. 3 is another front elevation view thereof, with the top portion of the article of clothing in a second position;
FIG. 4 is a rear elevation view thereof; and,
FIG. 5 is a side elevation view thereof, the opposite side being a mirror image hereto.

1 Claim, 2 Drawing Sheets



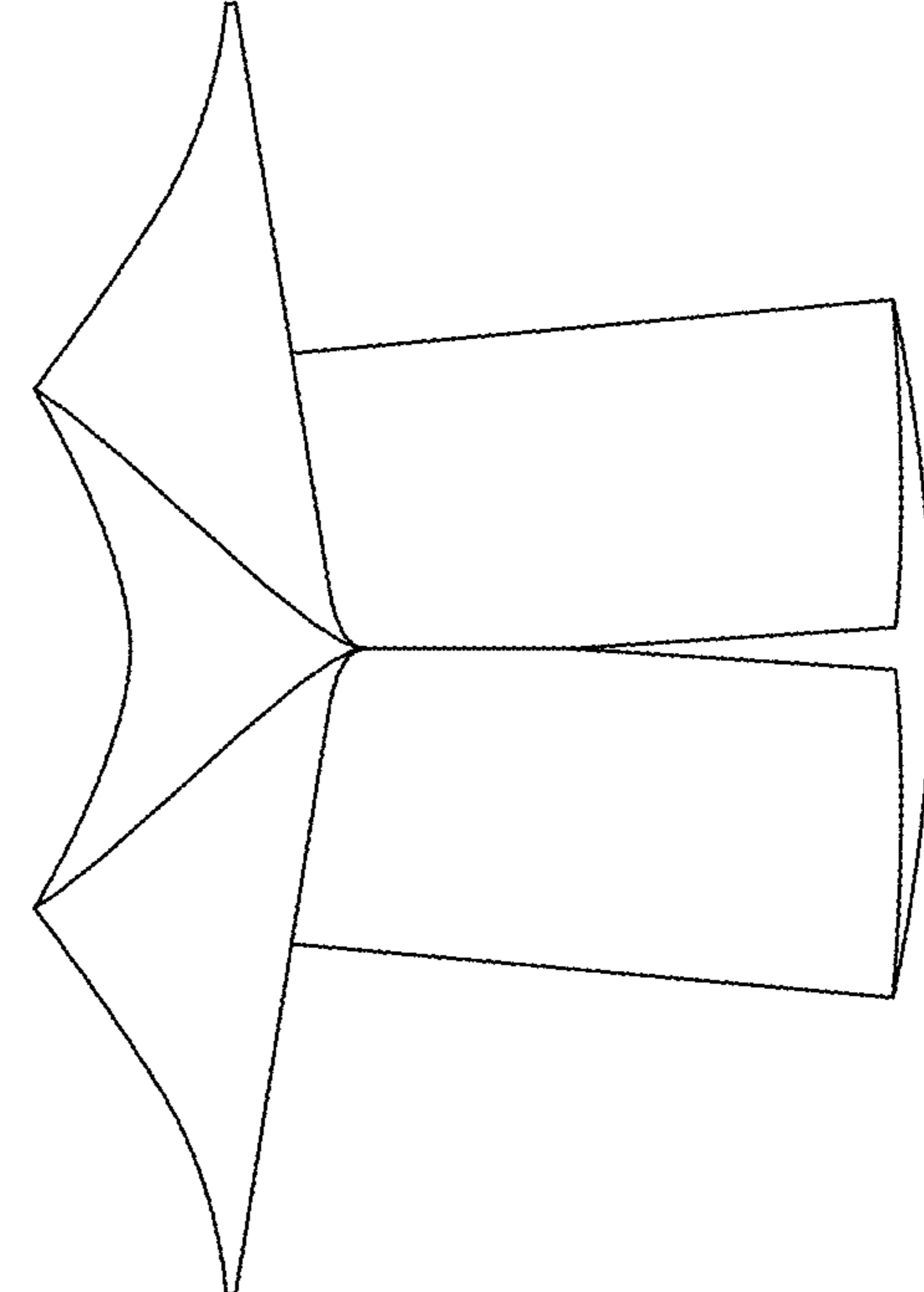


FIG. 1

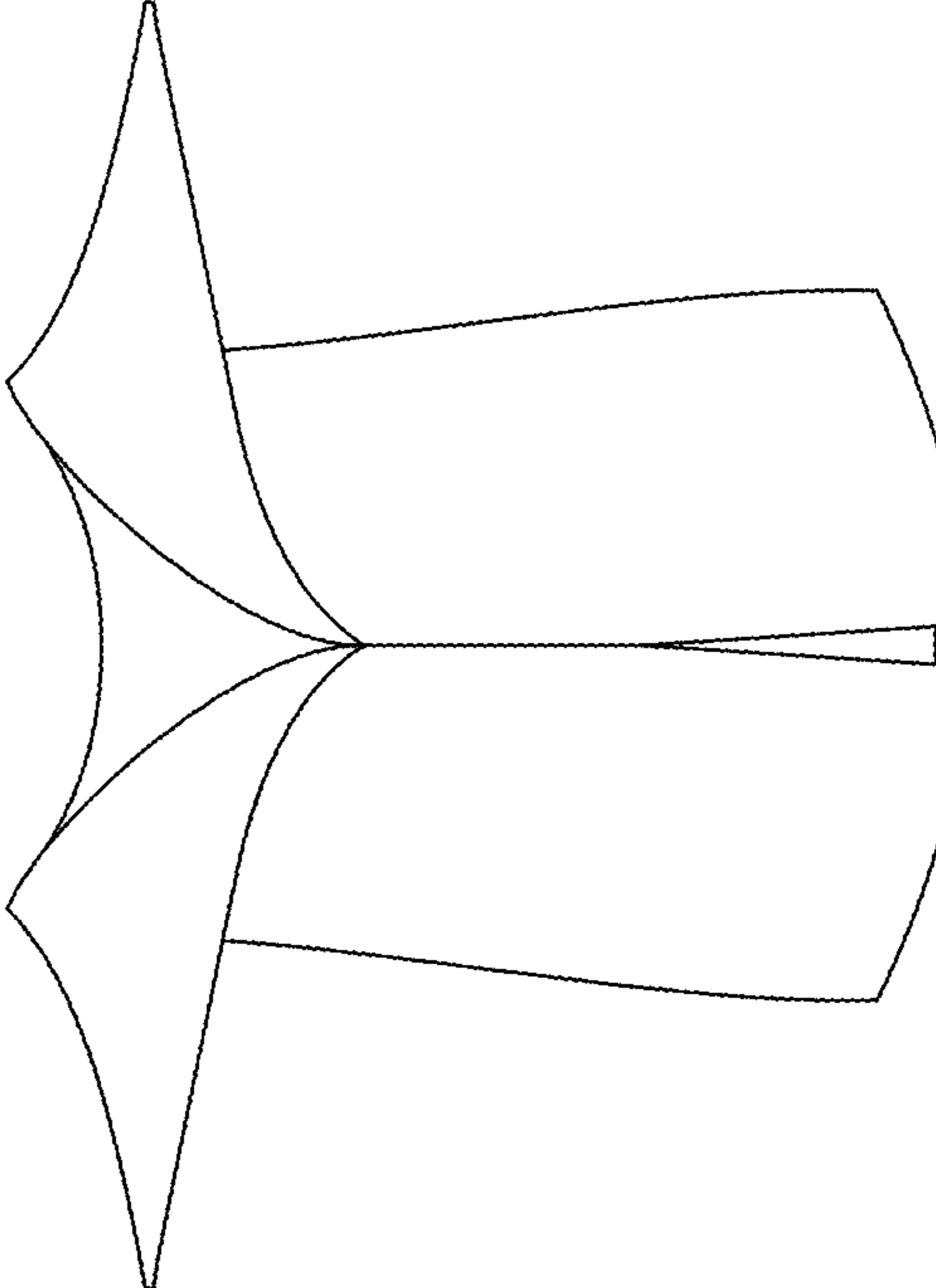


FIG. 2

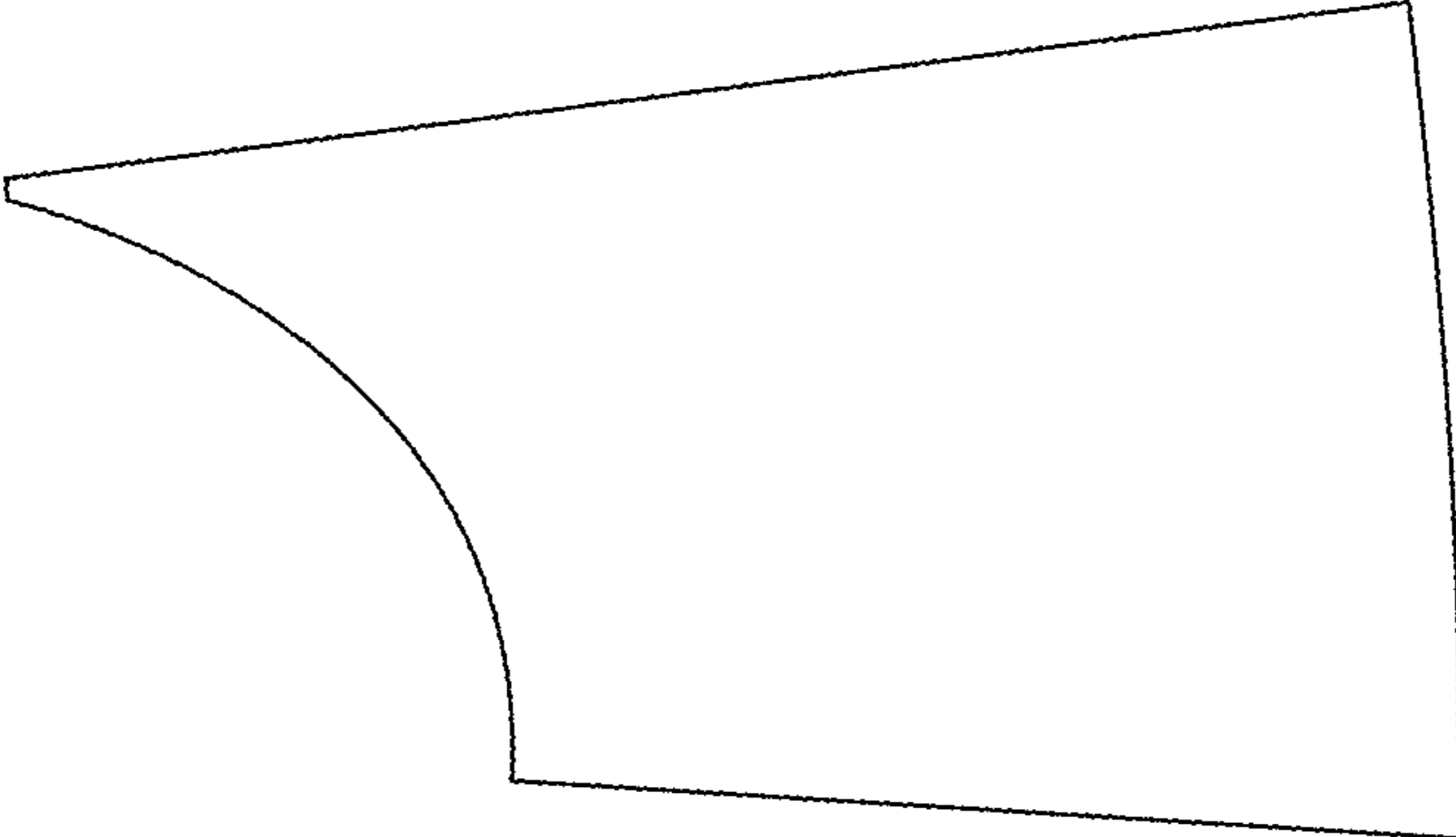


FIG. 5

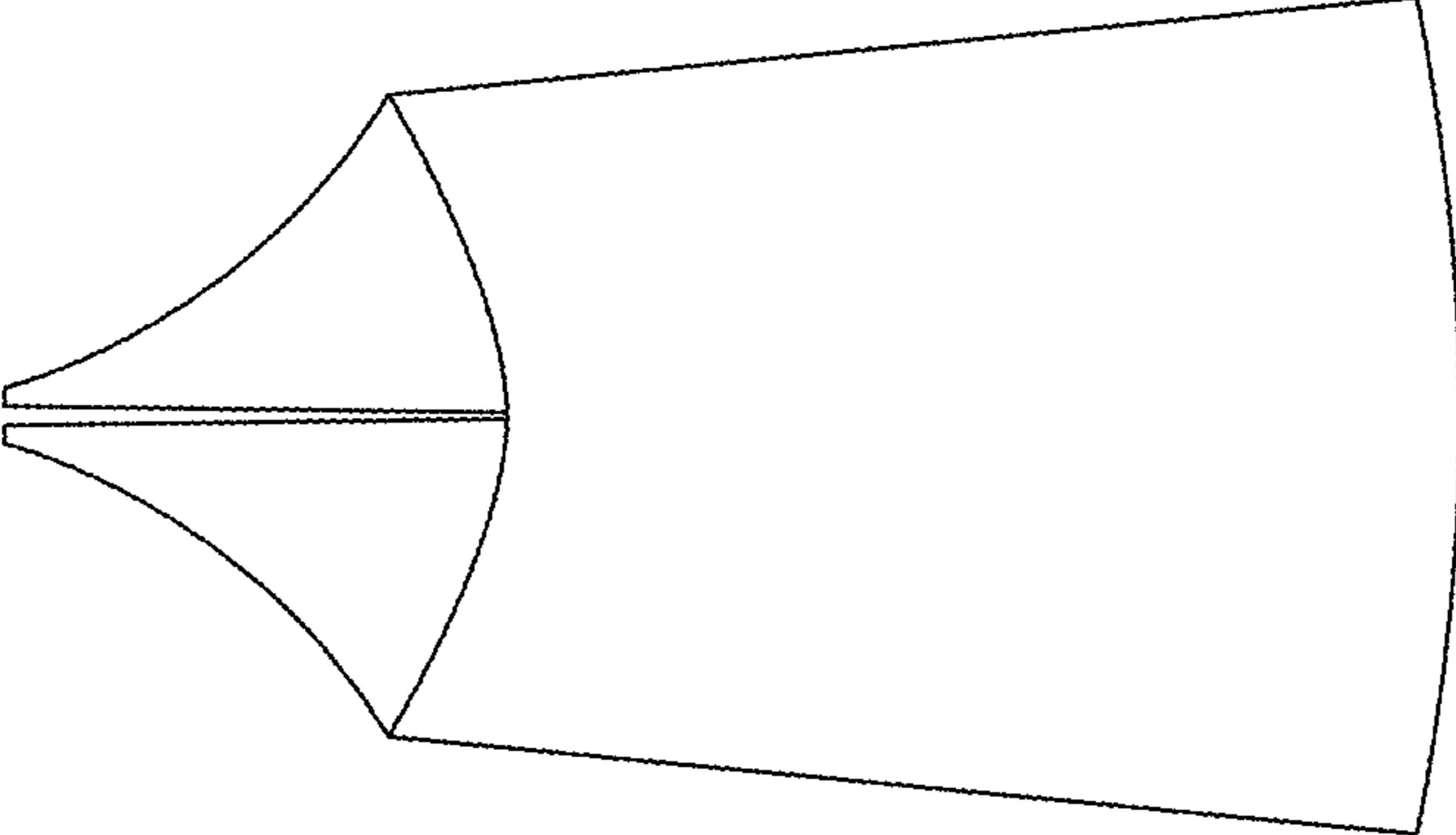


FIG. 4

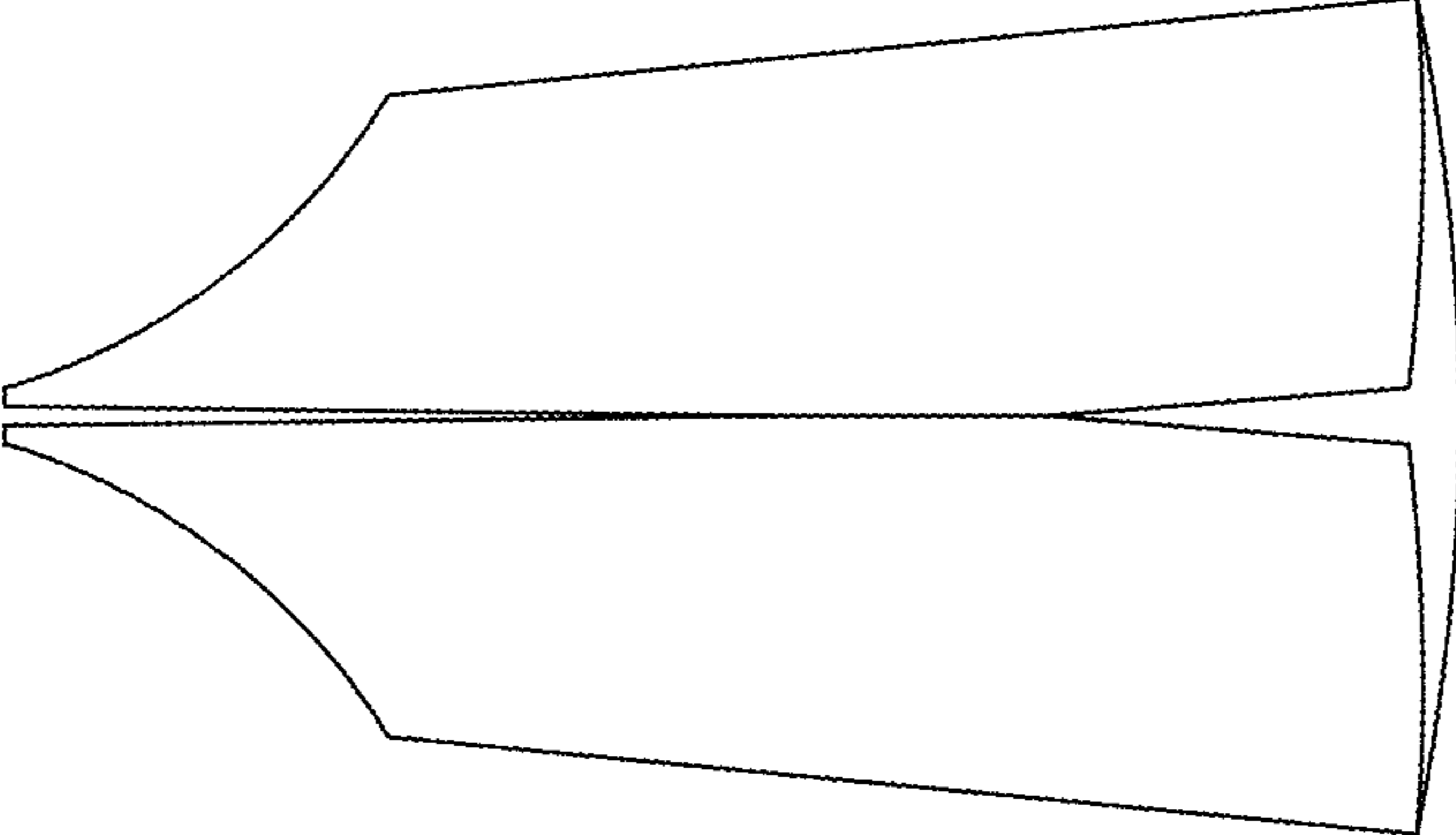


FIG. 3