



US00D769576S

(12) **United States Design Patent**  
**Kawasaki**

(10) **Patent No.:** **US D769,576 S**  
(45) **Date of Patent:** **\*\* Oct. 25, 2016**

(54) **HANDS FREE PUMPING BUSTIER**  
(71) Applicant: **MEDELA HOLDING AG**, Baar (CH)  
(72) Inventor: **Don Kawasaki**, Toronto (CA)  
(73) Assignee: **MEDELA HOLDING AG**, Baar (CH)  
(\*\*) Term: **15 Years**

8,523,629 B2 9/2013 Pundyk  
D744,718 S \* 12/2015 Randall ..... D2/709  
D749,296 S \* 2/2016 Gamble ..... D2/737  
2007/0161330 A1 7/2007 Whitehead et al.  
2011/0104985 A1\* 5/2011 Linder ..... A41C 3/0057  
450/58  
2011/0314587 A1 12/2011 Ritchie  
2013/0122780 A1 5/2013 McCall  
2015/0133028 A1 5/2015 Applewhite  
2015/0264982 A1\* 9/2015 Randall ..... A41C 3/0057  
450/52

(21) Appl. No.: **29/536,009**

(22) Filed: **Aug. 12, 2015**

(51) **LOC (10) Cl.** ..... **02-01**

(52) **U.S. Cl.**  
USPC ..... **D2/706**

(58) **Field of Classification Search**  
USPC ..... D2/700-711, 717-723, 729-737, 999  
CPC ..... A41D 1/20; A41D 1/22; A41D 1/2015;  
A41D 7/00; A41D 7/001; A41D 7/003;  
A41D 7/005; A41D 7/006; A41D 7/008;  
A41D 13/05; A41D 13/0518  
See application file for complete search history.

(56) **References Cited**

**U.S. PATENT DOCUMENTS**

1,948,076 A \* 2/1934 Notes ..... A41C 3/00  
24/432  
6,004,186 A 12/1999 Penny  
6,213,840 B1 4/2001 Han  
6,227,936 B1 5/2001 Mendoza  
6,440,100 B1 8/2002 Prentiss  
6,645,041 B2 11/2003 Sarsen  
6,866,558 B2 3/2005 Luciano et al.  
6,887,217 B1 5/2005 Logan  
6,974,361 B2 12/2005 Cravaack et al.  
D550,368 S \* 9/2007 Hankins ..... D2/706  
7,430,883 B2 10/2008 Sorensen  
8,137,153 B2 3/2012 Bell  
8,192,247 B2 6/2012 Abbaszadeh  
8,323,070 B2 12/2012 Abbaszadeh  
8,414,353 B1 4/2013 Leavell  
8,469,770 B2 6/2013 Alva

**OTHER PUBLICATIONS**

Simple Wishes Hands Free Breast Pumping Bra, posted at mothersboutique.com, earliest date available Sep. 18, 2010, [online], acquired on Mar. 30, 2016. Available from Internet, <URL: <http://www.mothersboutique.com/simplewishes1.html>>.\*

(Continued)

*Primary Examiner* — Manpreet Matharu  
*Assistant Examiner* — Aula Soroush  
(74) *Attorney, Agent, or Firm* — Marshall, Gerstein & Borun LLP

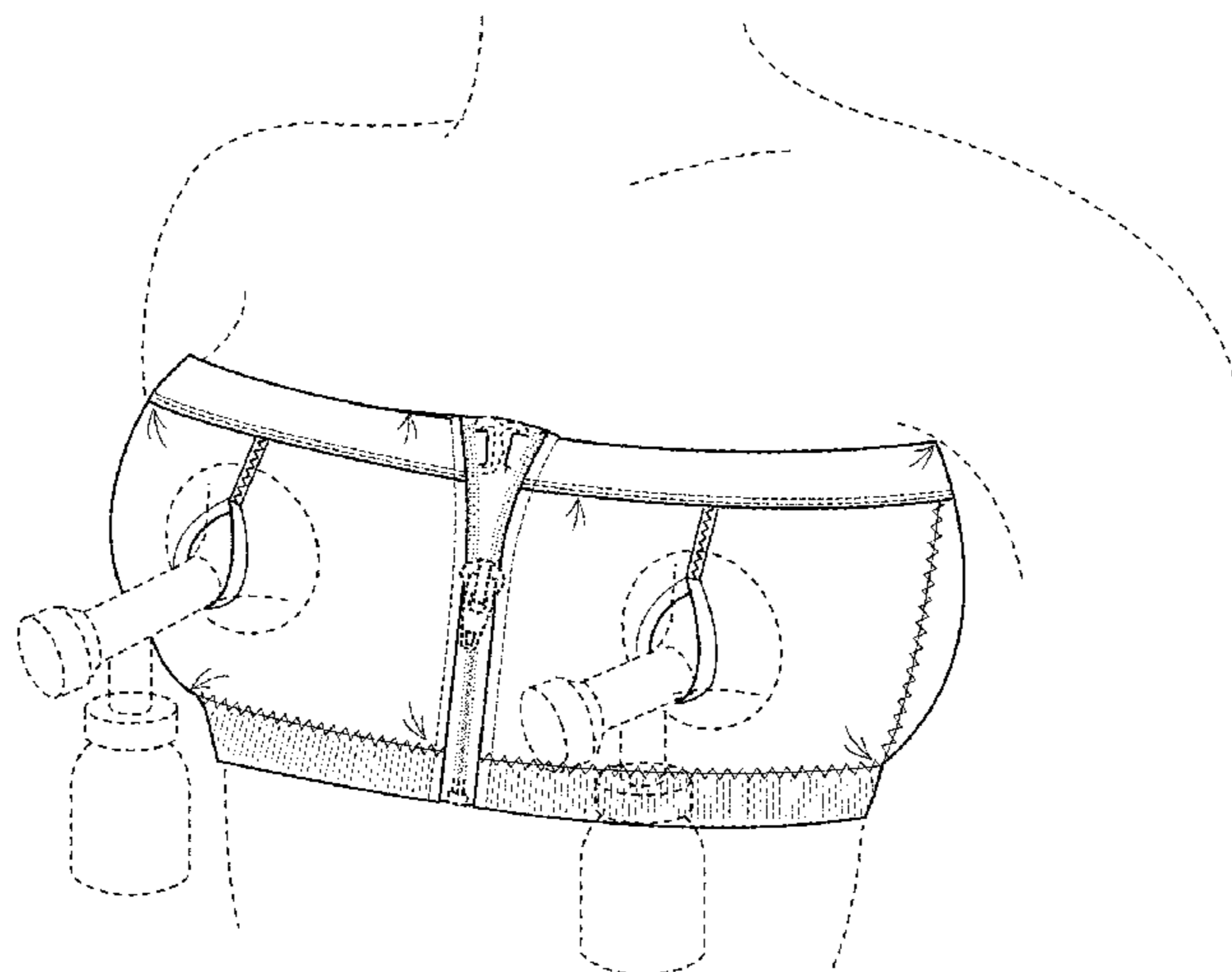
(57) **CLAIM**

The ornamental design for a hands free pumping bustier, as shown and described.

**DESCRIPTION**

FIG. 1 is a front perspective view of a hands free pumping bustier showing my new design;  
FIG. 2 is a front view thereof;  
FIG. 3 is a rear view thereof;  
FIG. 4 is a right side elevation view thereof;  
FIG. 5 is a left side view elevation view thereof;  
FIG. 6 is a top plan view thereof; and,  
FIG. 7 is a bottom plan view thereof.  
The broken lines in the drawings illustrate environmental subject matter only and form no part of the claimed design.

**1 Claim, 4 Drawing Sheets**



(56)

**References Cited**

OTHER PUBLICATIONS

Organic Pump Ease, posted at mothersboutique.com, earliest date available Jul. 3, 2010, [online], acquired on Mar. 30, 2016. Available from Internet, <URL: <http://www.mothersboutique.com/orpuea.html>>.\*

Medela Easy Expression Hands-Free Bustier, posted at amazon.com, earliest date available Aug. 6, 2007, [online], acquired on Apr. 29, 2016. Available from Internet, <URL: [http://www.amazon.com/Medela-Expression-Hands-Free-Bustier-Medium/dp/B002NUWQUM/ref=cm\\_cr\\_arp\\_d\\_product\\_top?ie=UTF8](http://www.amazon.com/Medela-Expression-Hands-Free-Bustier-Medium/dp/B002NUWQUM/ref=cm_cr_arp_d_product_top?ie=UTF8)>.\*

\* cited by examiner

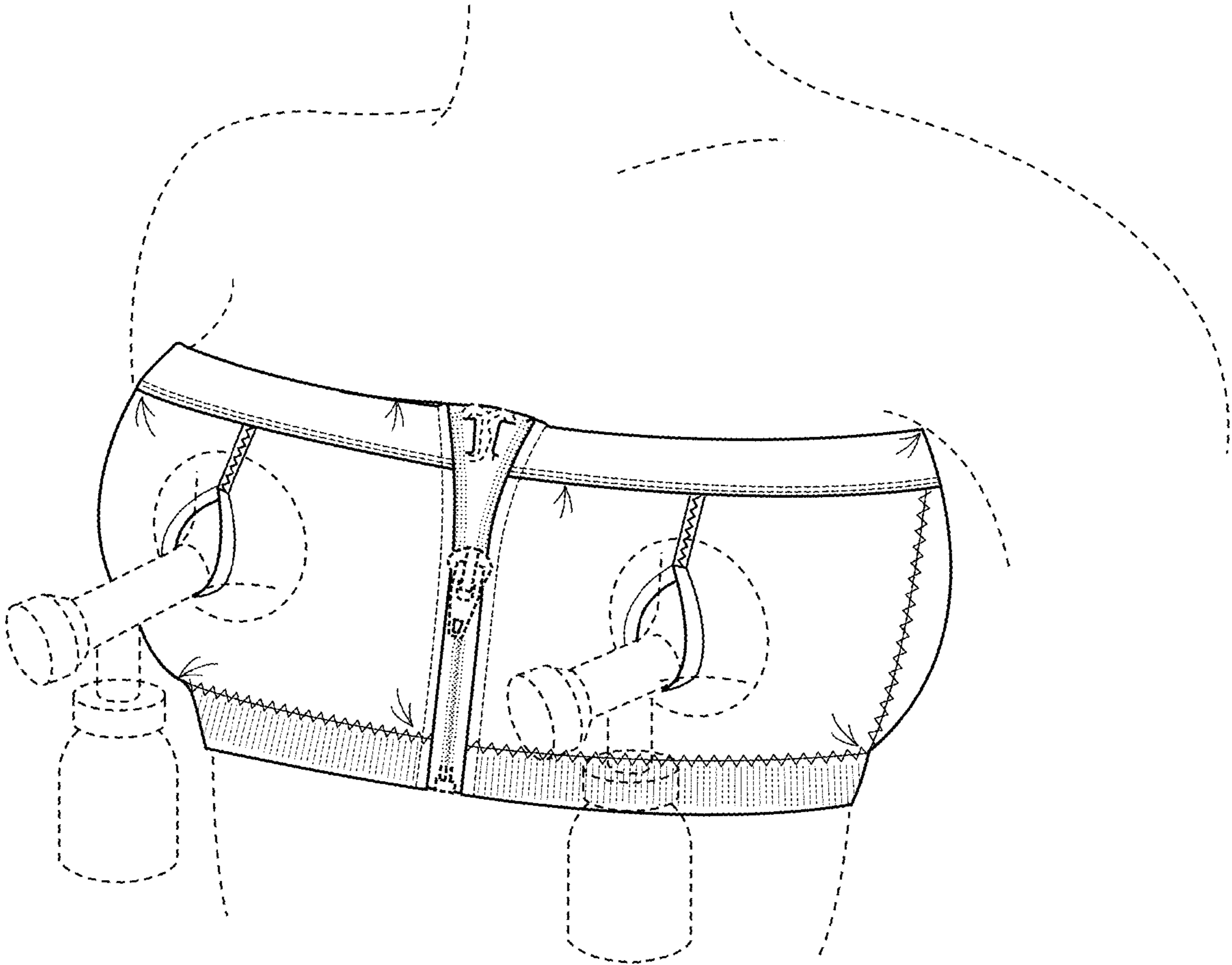


FIG. 1

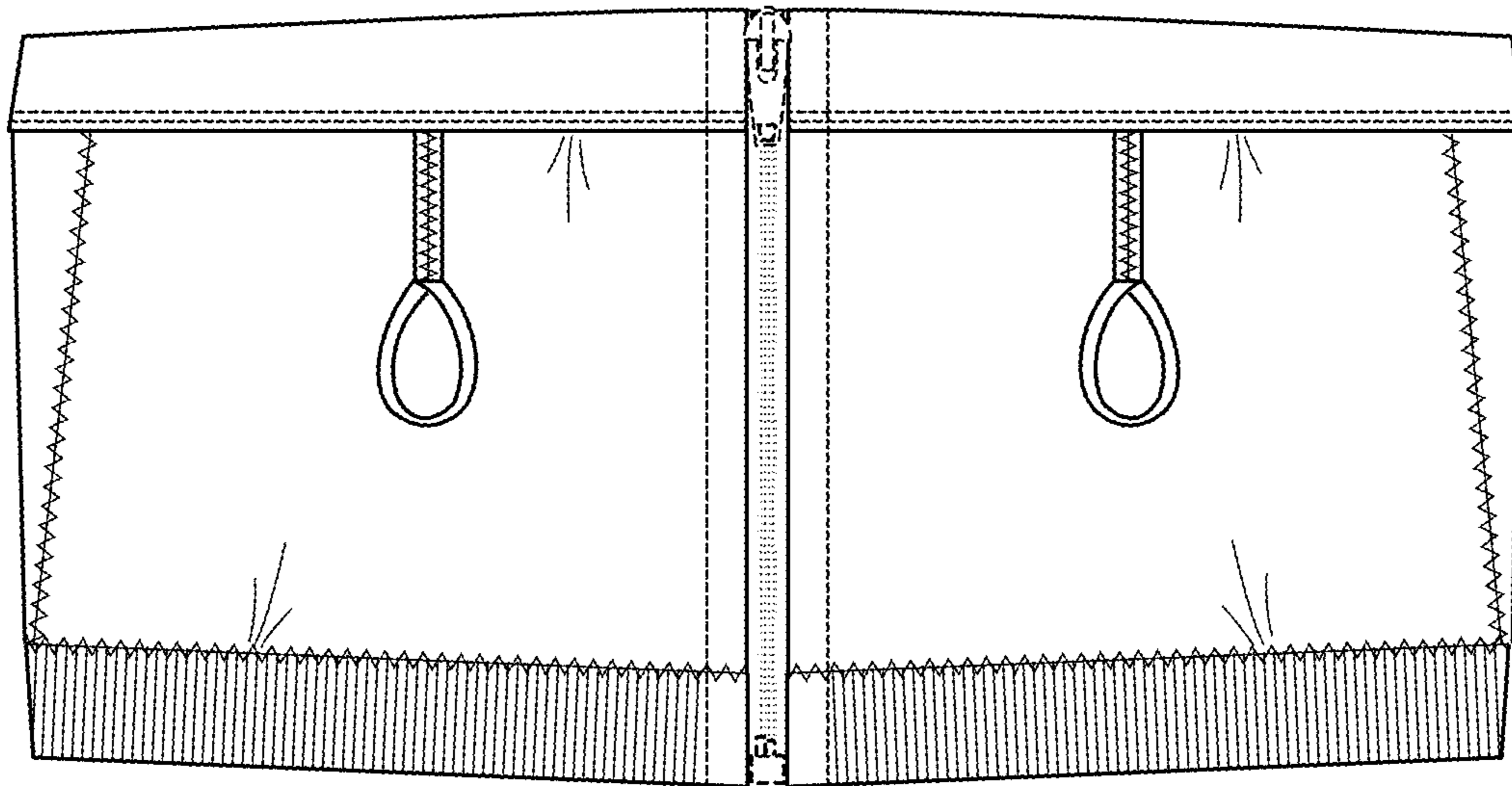


FIG. 2

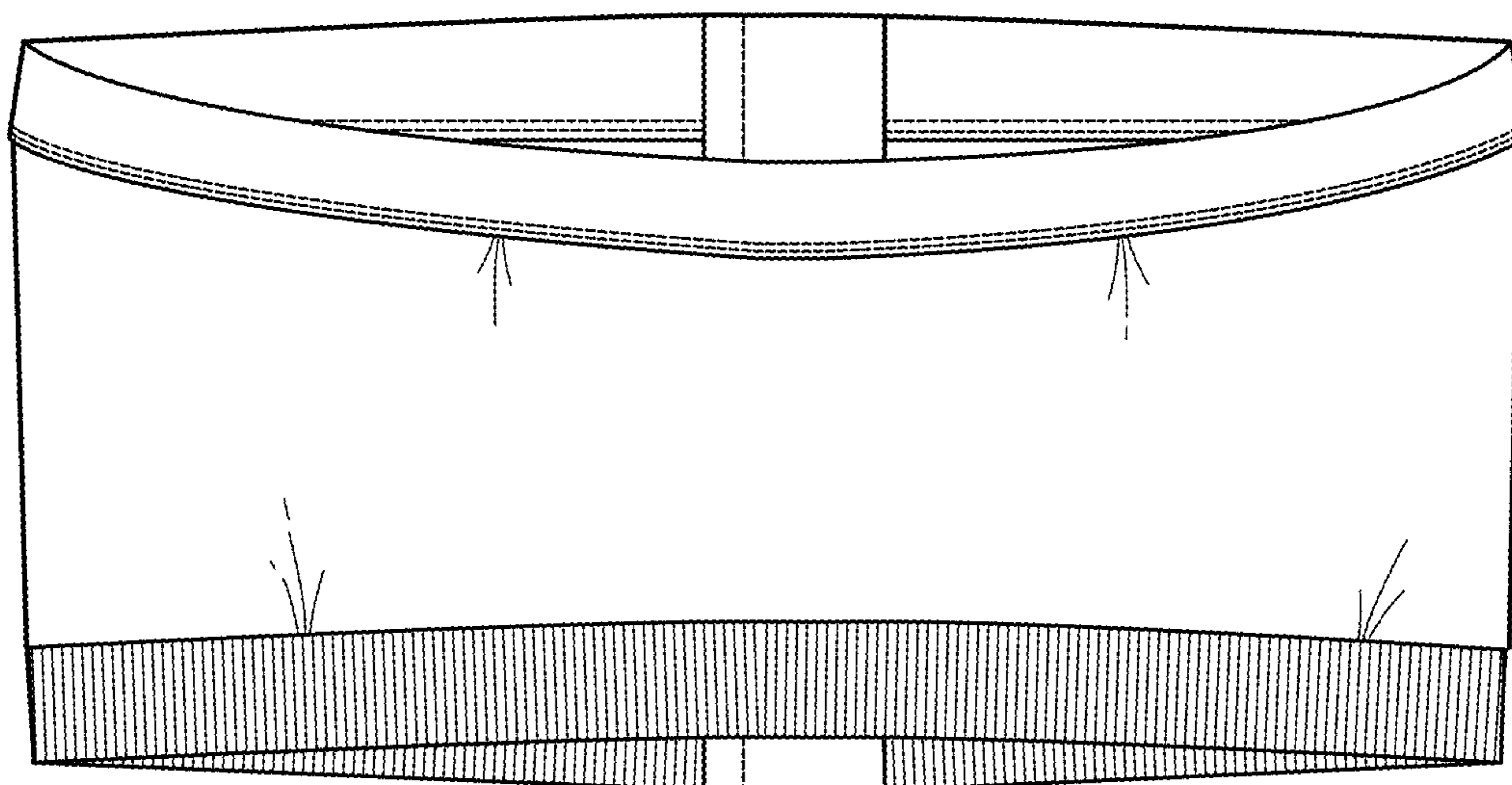


FIG. 3

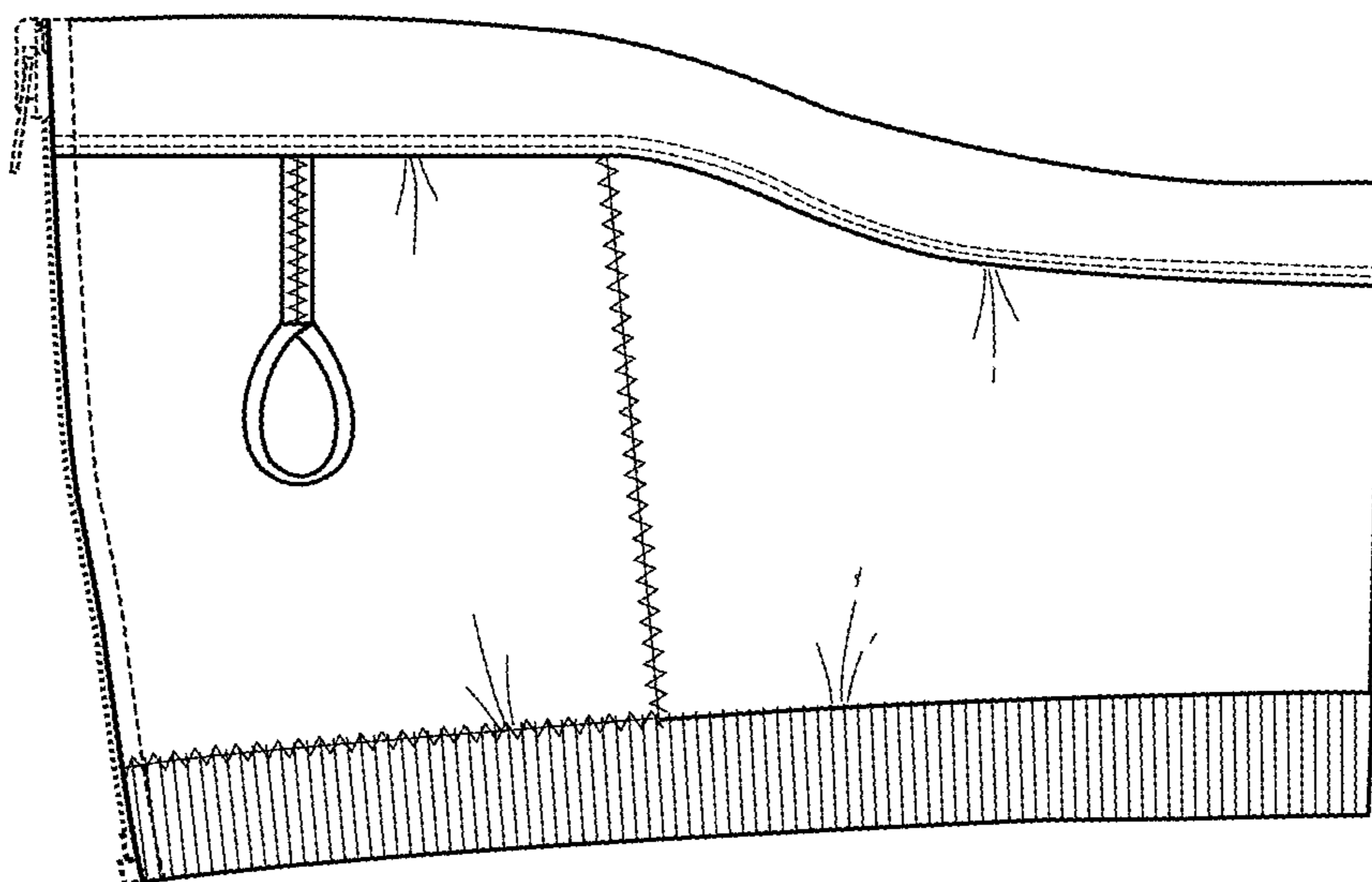


FIG. 4

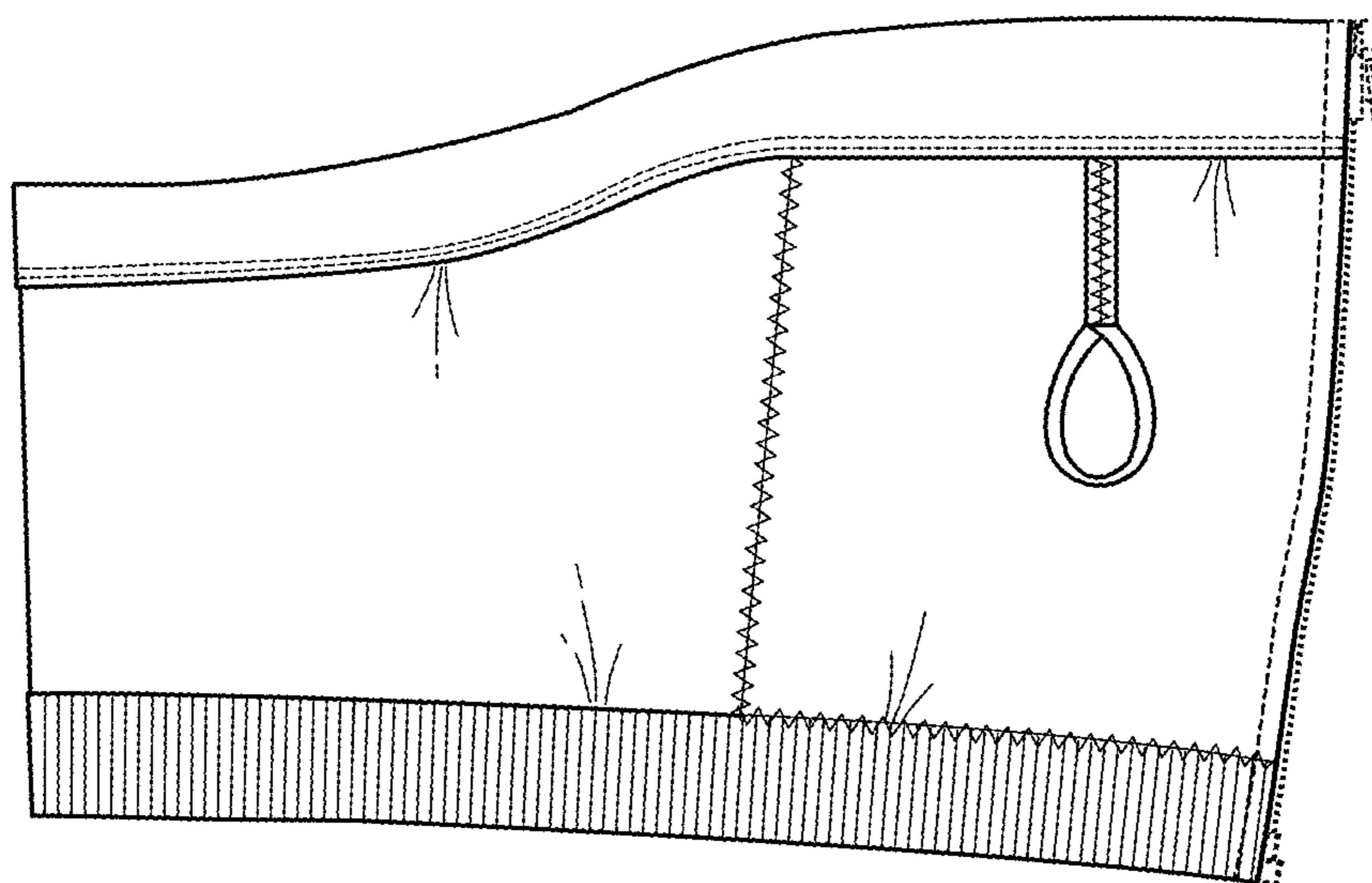


FIG. 5

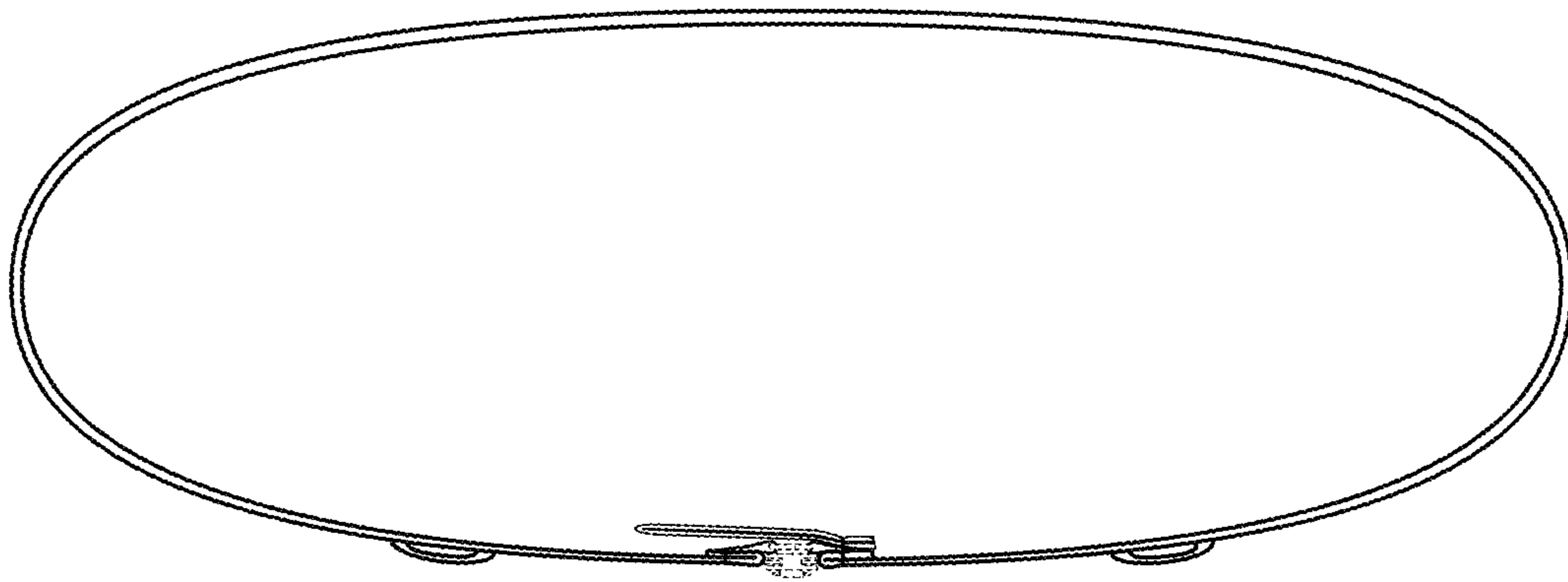


FIG. 6

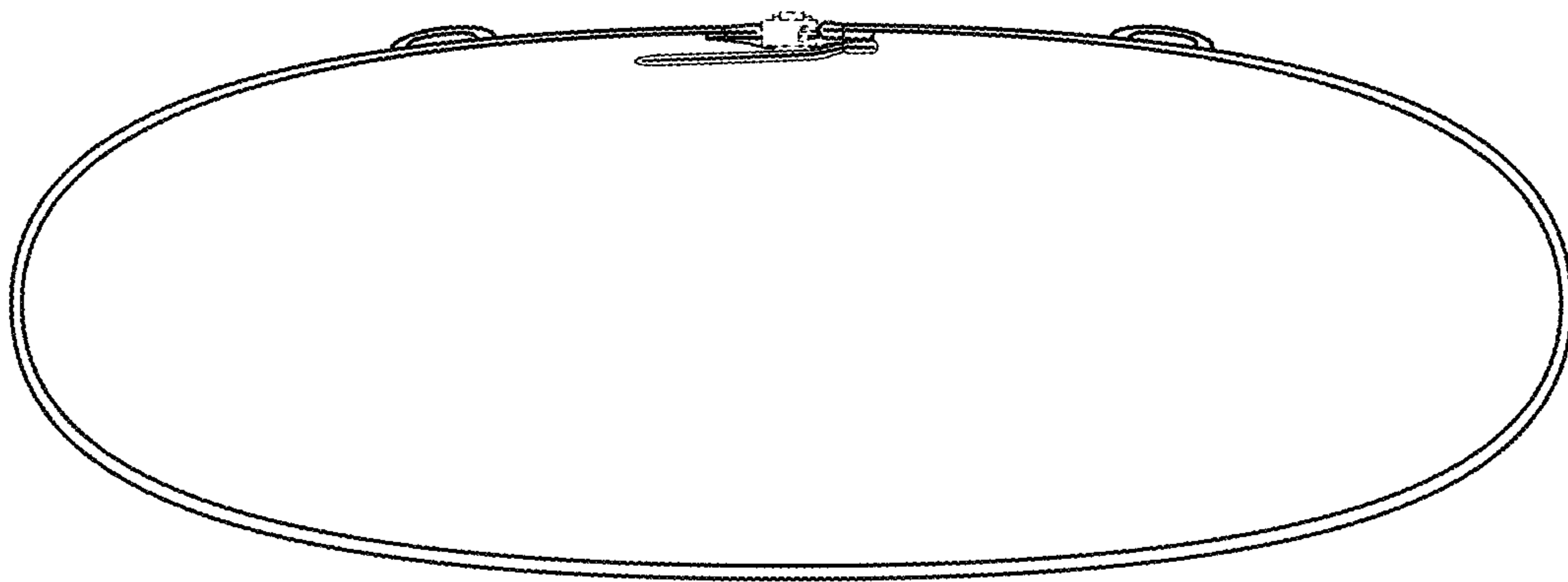


FIG. 7