

US00D769572S

(12) **United States Design Patent** (10) **Patent No.:** **US D769,572 S**  
**Park et al.** (45) **Date of Patent:** **\*\* Oct. 18, 2016**

(54) **AUTOMATED TELLER MACHINE**

(56) **References Cited**

(71) Applicant: **Nautilus Hyosung Inc.**, Seoul (KR)

U.S. PATENT DOCUMENTS

(72) Inventors: **Jae Min Park**, Anyang-si (KR); **Hee Youn Lee**, Sungnam-si (KR); **Jae Min Cha**, Sungnam-si (KR)

D437,468	S	*	2/2001	Fukutake	.....	D99/28
D456,587	S	*	4/2002	Kit	.....	D99/28
D492,080	S	*	6/2004	Magee	.....	D99/28
D540,004	S	*	4/2007	Kang	.....	D99/28
D592,825	S	*	5/2009	Kang	.....	D99/28
D596,373	S	*	7/2009	Kang	.....	D99/28
D596,374	S	*	7/2009	Kang	.....	D99/28
D597,275	S	*	7/2009	Lee	.....	D99/28
D625,305	S	*	10/2010	Bleck	.....	D14/307
D629,585	S	*	12/2010	Bleck	.....	D14/307
D645,223	S	*	9/2011	Bleck	.....	D14/307
D672,525	S	*	12/2012	Lee	.....	D14/900
D674,985	S	*	1/2013	Lee	.....	D14/900
D696,484	S	*	12/2013	Lee	.....	D99/28
D696,485	S	*	12/2013	Lee	.....	D99/28
D716,515	S	*	10/2014	Cha	.....	D99/28
2004/0262379	A1	*	12/2004	Gomes	.....	G06Q 30/06 235/379

(73) Assignee: **NAUTILUS HYOSUNG INC.**, Seoul (KR)

(\*\*) Term: **14 Years**

(21) Appl. No.: **29/521,243**

(22) Filed: **Mar. 20, 2015**

(30) **Foreign Application Priority Data**

Sep. 24, 2014 (KR) ..... 30-2014-0046287

(51) **LOC (10) Cl.** ..... **20-01**

(52) **U.S. Cl.**  
USPC ..... **D99/28**

(58) **Field of Classification Search**

USPC ..... D99/28, 34, 25, 26, 43, 99;  
D14/300-302, 305, 307, 900-902;  
D18/3.1-3.3, 4.1-4.6, 12.1-12.3;  
D21/324, 325, 329, 369, 370; 101/66;  
109/1 R, 1 V, 2, 23, 24.1, 25, 58, 58.5,  
109/66; 446/8-13; 705/16, 17, 18, 42, 43,  
705/44, 45; 235/51, 379, 380, 381, 382,  
235/382.5, 386; 206/0.8, 0.81, 0.815, 0.82,  
206/0.83, 0.84

CPC ..... G06Q 20/10; G06Q 20/108; G06Q  
20/1085; G06Q 20/18; G07D 1/00; G07D  
1/02; G07D 1/04; G07D 1/06; G07D 11/00;  
G07D 9/002; G07D 9/04; G07F 19/20;  
G07F 19/201; G07F 19/202; G07F 19/203;  
G07F 19/204; G07F 19/105; G07F 19/21;  
G07F 19/00; G07F 7/04; G07F 5/00; G07F  
1/00; E05G 7/001; E05G 1/006; A63H  
33/00; A63G 33/005

See application file for complete search history.

(Continued)

*Primary Examiner* — Elizabeth J Oswecki

(74) *Attorney, Agent, or Firm* — Fenwick & West LLP

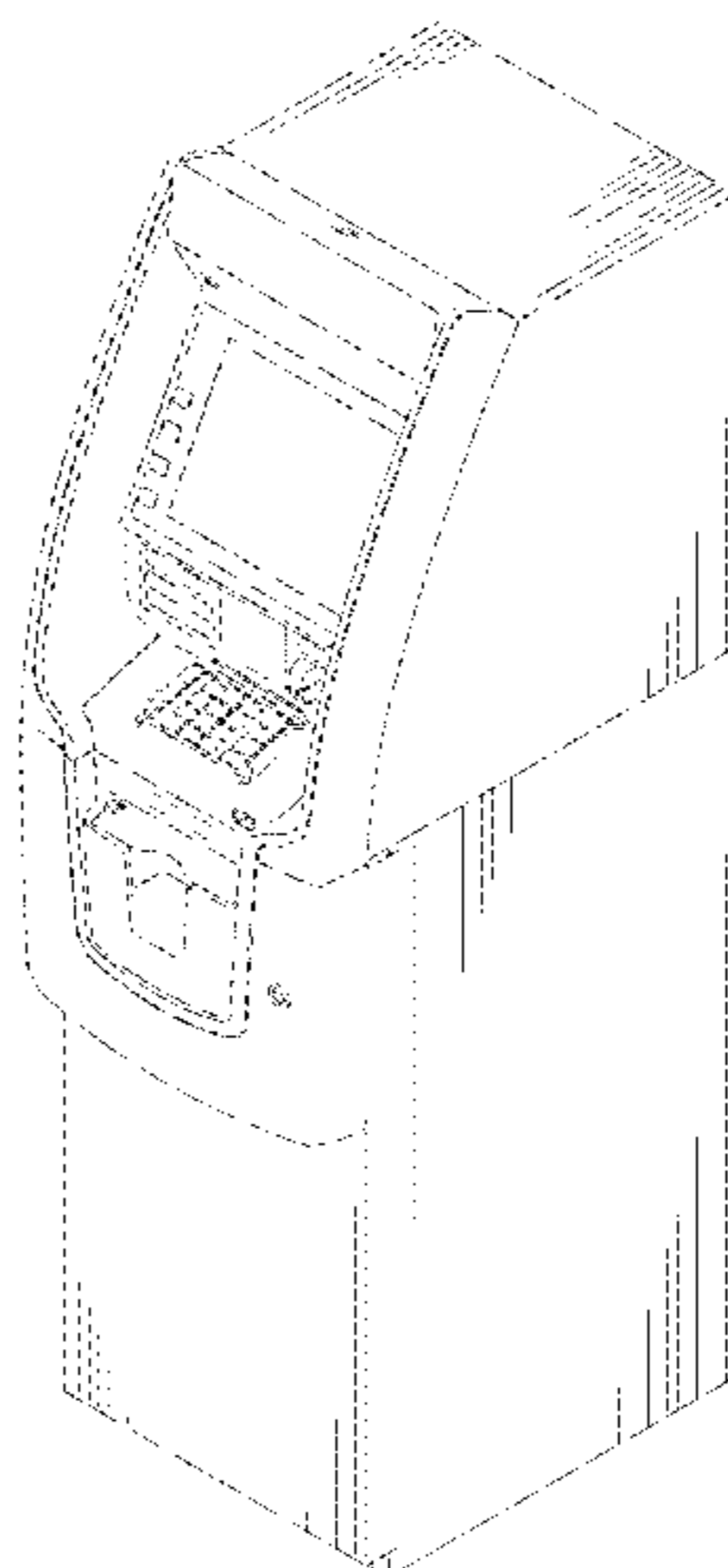
(57) **CLAIM**

The ornamental design for an automated teller machine, as shown and described.

**DESCRIPTION**

FIG. 1 is a perspective view of an automated teller machine, showing our new design;  
FIG. 2 is a front view thereof;  
FIG. 3 is a rear view thereof;  
FIG. 4 is a left side view thereof;  
FIG. 5 is a right side view thereof;  
FIG. 6 is a top view thereof; and,  
FIG. 7 is a bottom view thereof.  
Portions of the disclosure shown in broken lines form no part of the claimed design.

**1 Claim, 7 Drawing Sheets**



# US D769,572 S

Page 2

---

(56)

## References Cited

### U.S. PATENT DOCUMENTS

2008/0296365 A1*	12/2008	Schliebe .....	G01G 19/52 235/379
2009/0057398 A1*	3/2009	Douglass .....	G07F 19/20 235/379
2005/0029340 A1*	2/2005	Ferraro .....	G07F 7/00 235/379

\* cited by examiner

Fig 1

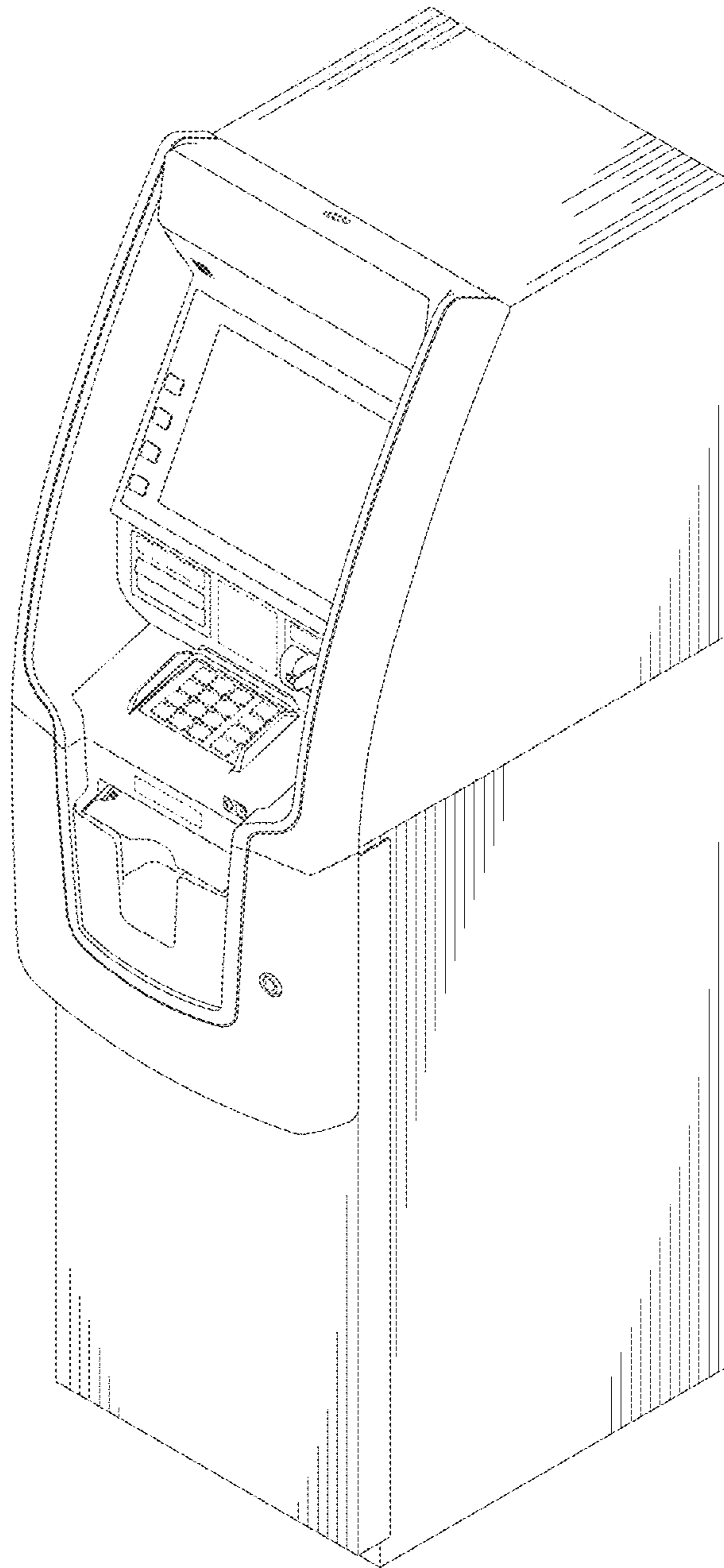


Fig 2

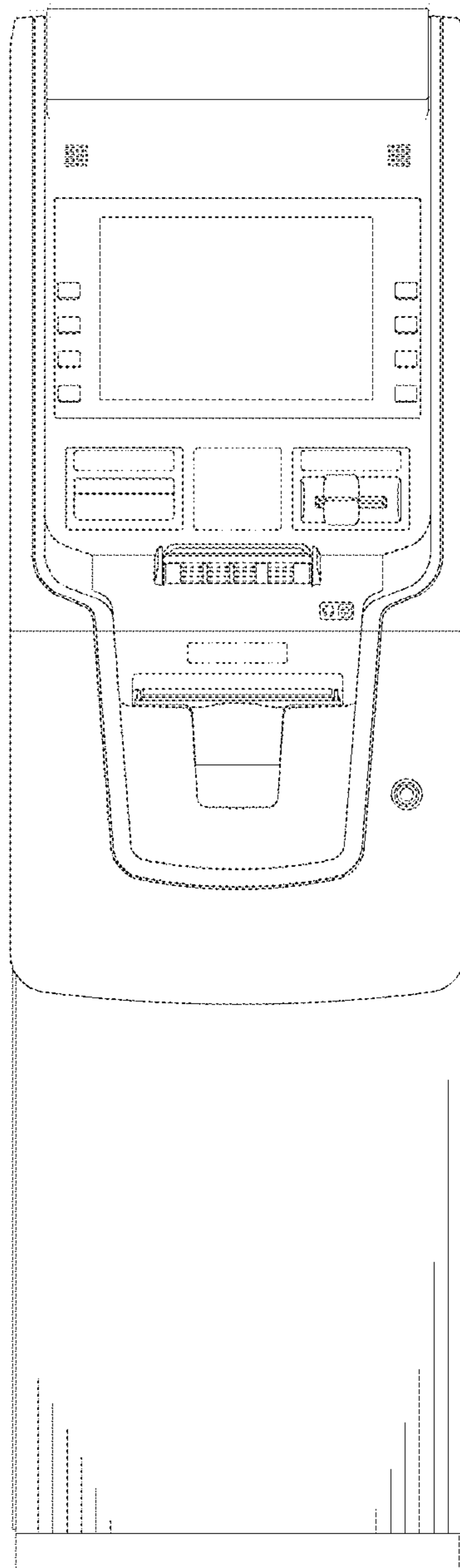


Fig 3

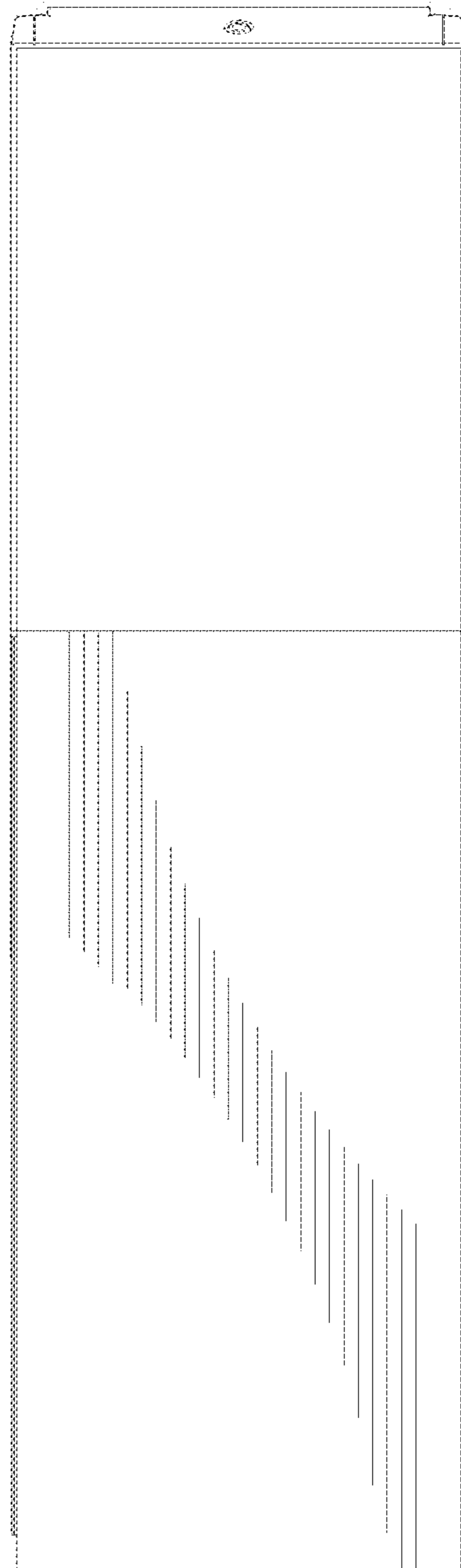


Fig 4

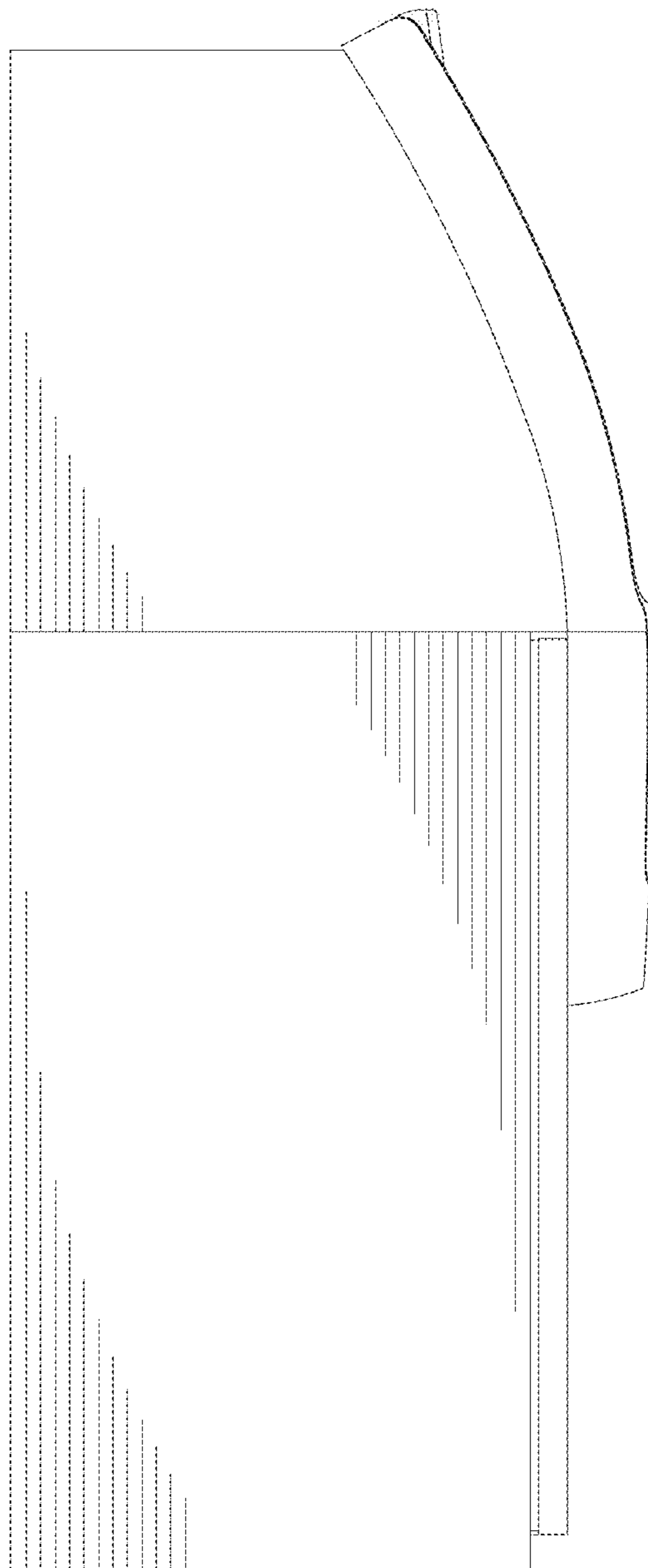


Fig 5

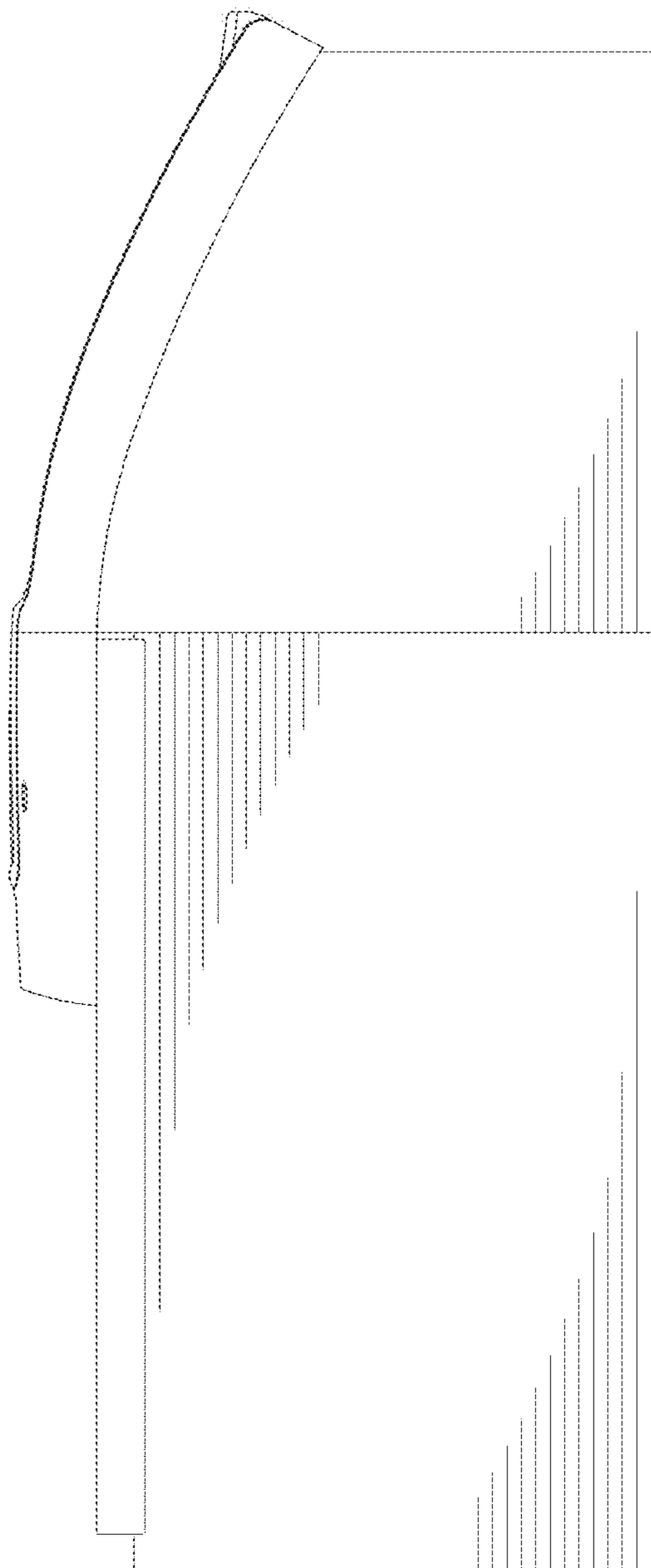


Fig 6

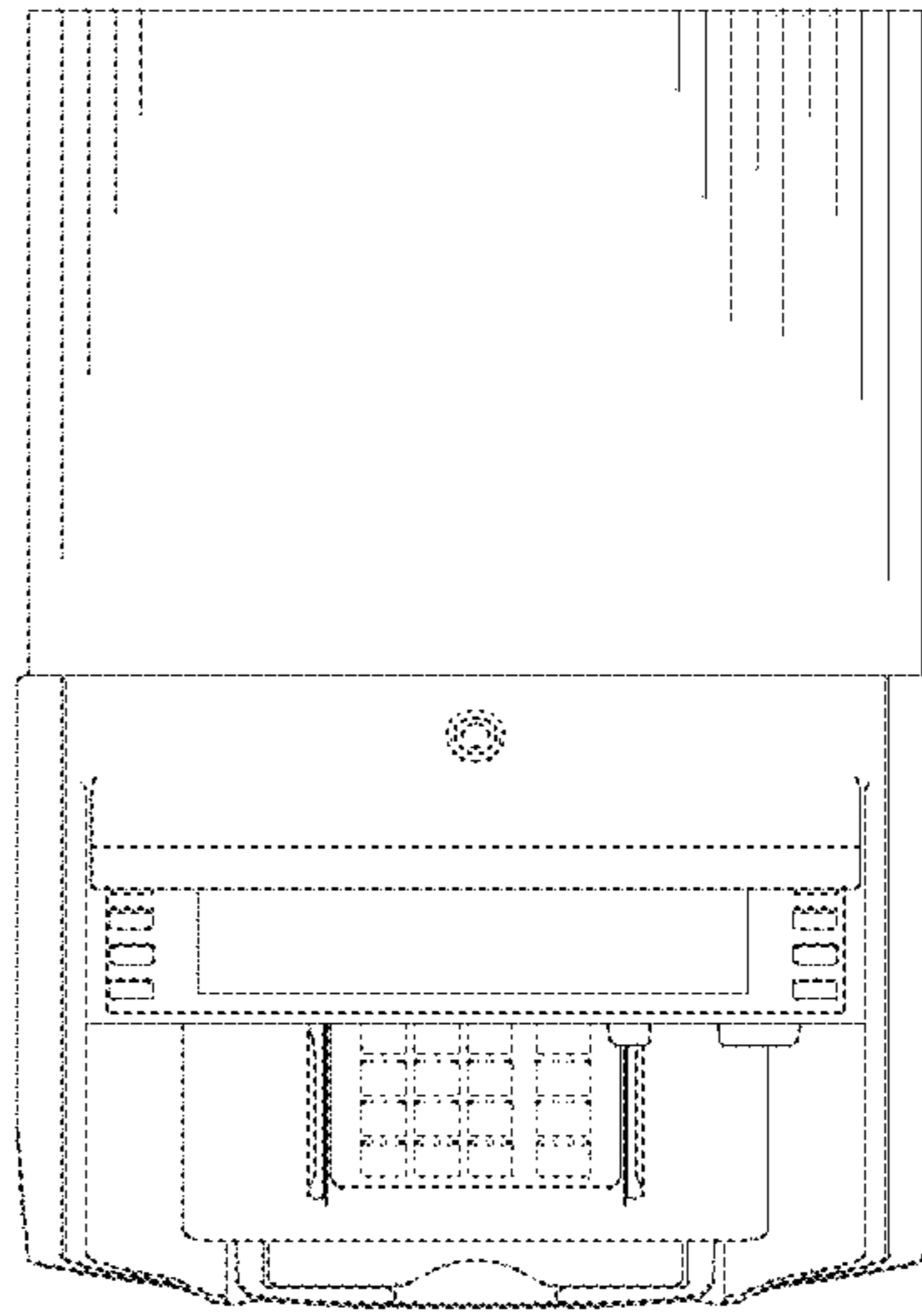




Fig 7

