



US00D769571S

(12) **United States Design Patent** (10) **Patent No.:** **US D769,571 S**
Lee et al. (45) **Date of Patent:** **** Oct. 18, 2016**

(54) **AUTOMATED TELLER MACHINE**

(56) **References Cited**

(71) Applicant: **Nautilus Hyosung Inc.**, Seoul (KR)

U.S. PATENT DOCUMENTS

(72) Inventors: **Hee Youn Lee**, Sungnam-si (KR); **Jae Min Park**, Anyang-si (KR); **Jae Min Cha**, Sungnam-si (KR)

D437,468 S *	2/2001	Fukutake	D99/28
D456,587 S *	4/2002	Kit	D99/28
D492,080 S *	6/2004	Magee	D99/28
D540,004 S *	4/2007	Kang	D99/28
D592,825 S *	5/2009	Kang	D99/28
D596,373 S *	7/2009	Kang	D99/28
D596,374 S *	7/2009	Kang	D99/28
D597,275 S *	7/2009	Lee	D99/28
D625,305 S *	10/2010	Bleck	D14/307
D629,585 S *	12/2010	Bleck	D14/307
D645,223 S *	9/2011	Bleck	D14/307
D672,525 S *	12/2012	Lee	D14/900
D674,985 S *	1/2013	Lee	D14/900
D696,484 S *	12/2013	Lee	D99/28
D696,485 S *	12/2013	Lee	D99/28
D716,515 S *	10/2014	Cha	D99/28
2004/0262379 A1 *	12/2004	Gomes	G06Q 30/06 235/379
2005/0029340 A1 *	2/2005	Ferraro	G07F 7/00 235/379
2008/0296365 A1 *	12/2008	Schliebe	G01G 19/52 235/379
2009/0057398 A1 *	3/2009	Douglass	G07F 19/20 235/379

(73) Assignee: **NAUTILUS HYOSUNG INC.**, Seoul (KR)

(**) Term: **14 Years**

(21) Appl. No.: **29/515,323**

(22) Filed: **Jan. 21, 2015**

(30) **Foreign Application Priority Data**

Dec. 19, 2014 (KR) 30-2014-0062202

(51) **LOC (10) Cl.** **20-01**

(52) **U.S. Cl.**
USPC **D99/28**

(58) **Field of Classification Search**

USPC D99/28, 34, 25, 26, 43, 99;
D14/300-302, 305, 307, 900-902;
D18/3.1-3.3, 4.1-4.6, 12.1-12.3;
D21/324, 325, 329, 369, 370; 101/66;
109/1 R, 1 V, 2, 23, 24.1, 25, 58, 58.5,
109/66; 446/8-13; 705/16, 17, 18, 42, 43,
705/44, 45; 235/51, 379, 380, 381, 382,
235/382.5, 386; 206/0.8, 0.81, 0.815, 0.82,
206/0.83, 0.84

CPC G06Q 20/10; G06Q 20/108; G06Q
20/1085; G06Q 20/18; G07D 1/00; G07D
1/02; G07D 1/04; G07D 1/06; G07D 11/00;
G07D 9/002; G07D 9/04; G07F 19/20;
G07F 19/201; G07F 19/202; G07F 19/203;
G07F 19/204; G07F 19/105; G07F 19/21;
G07F 19/00; G07F 5/00; G07F 1/00; E05G
7/001; E05G 1/006; A63H 33/00; A63G
33/005

See application file for complete search history.

* cited by examiner

Primary Examiner — Elizabeth J Oswecki

(74) *Attorney, Agent, or Firm* — Fenwick & West LLP

(57) **CLAIM**

The ornamental design for an automated teller machine, as shown and described.

DESCRIPTION

FIG. 1 is a perspective view of an automated teller machine, showing our new design;
FIG. 2 is a front view thereof;
FIG. 3 is a rear view thereof;
FIG. 4 is a left side view thereof;
FIG. 5 is a right side view thereof;
FIG. 6 is a top view thereof; and,
FIG. 7 is a bottom view thereof.

1 Claim, 7 Drawing Sheets

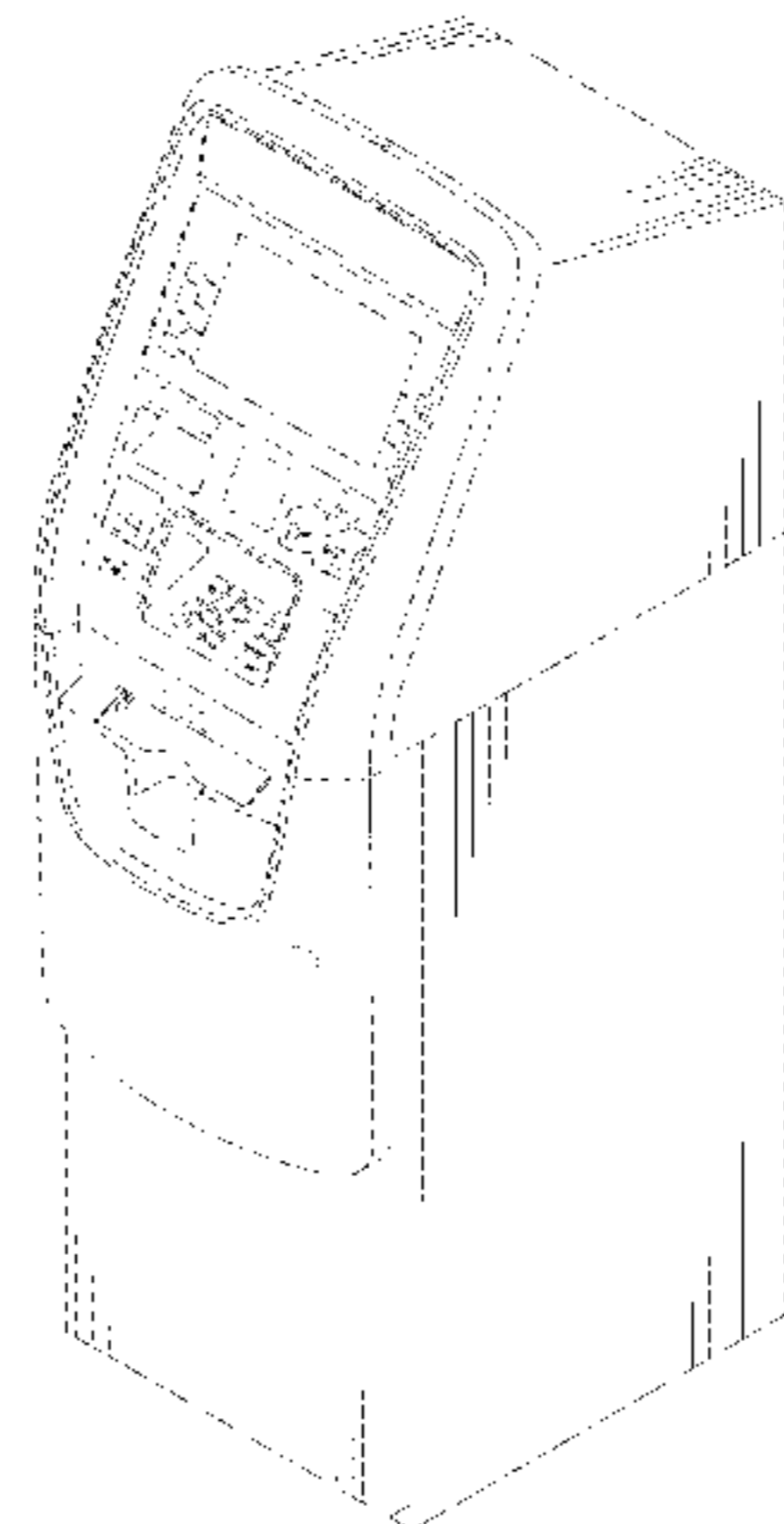


Fig 1

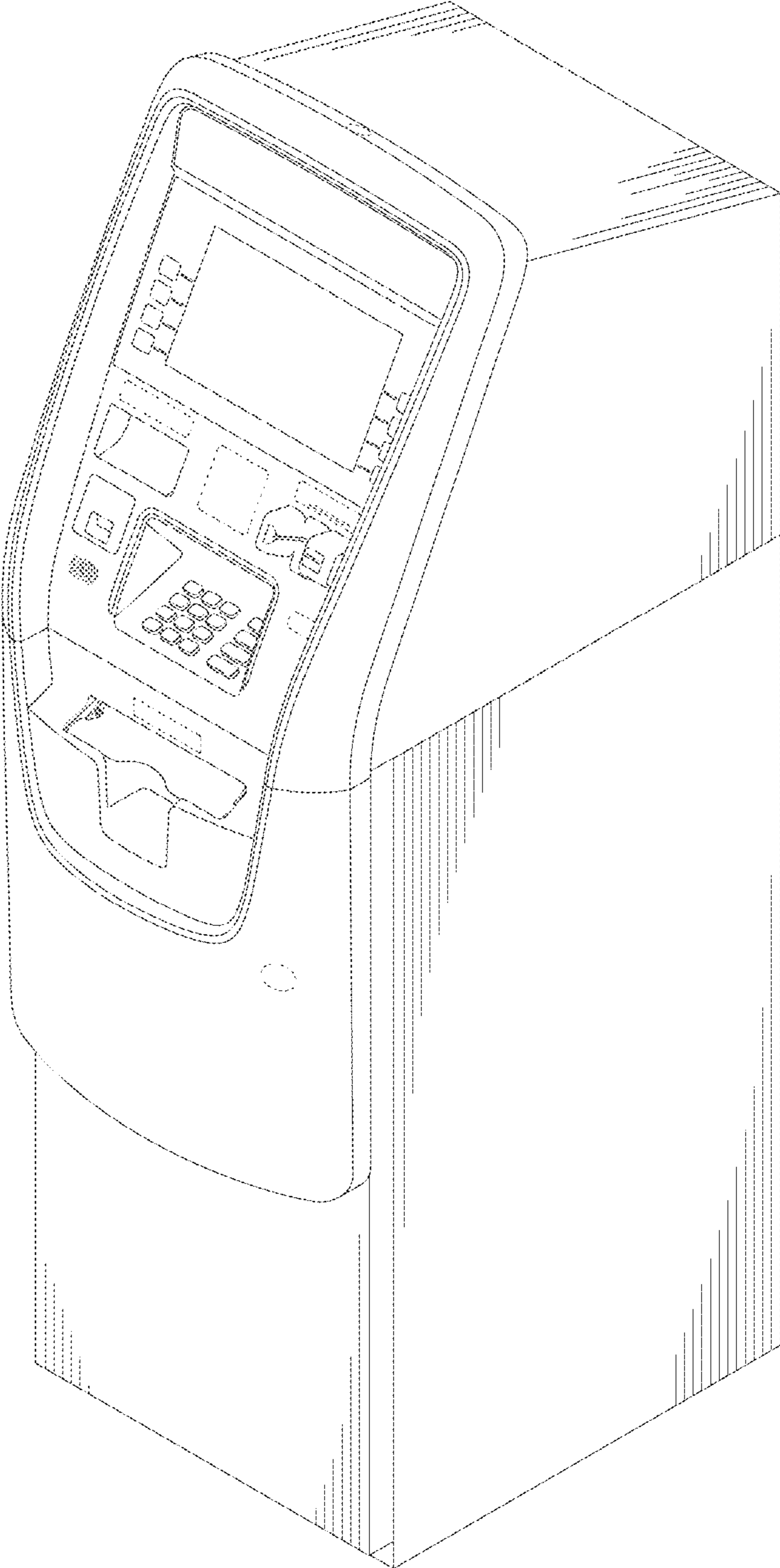


Fig 2

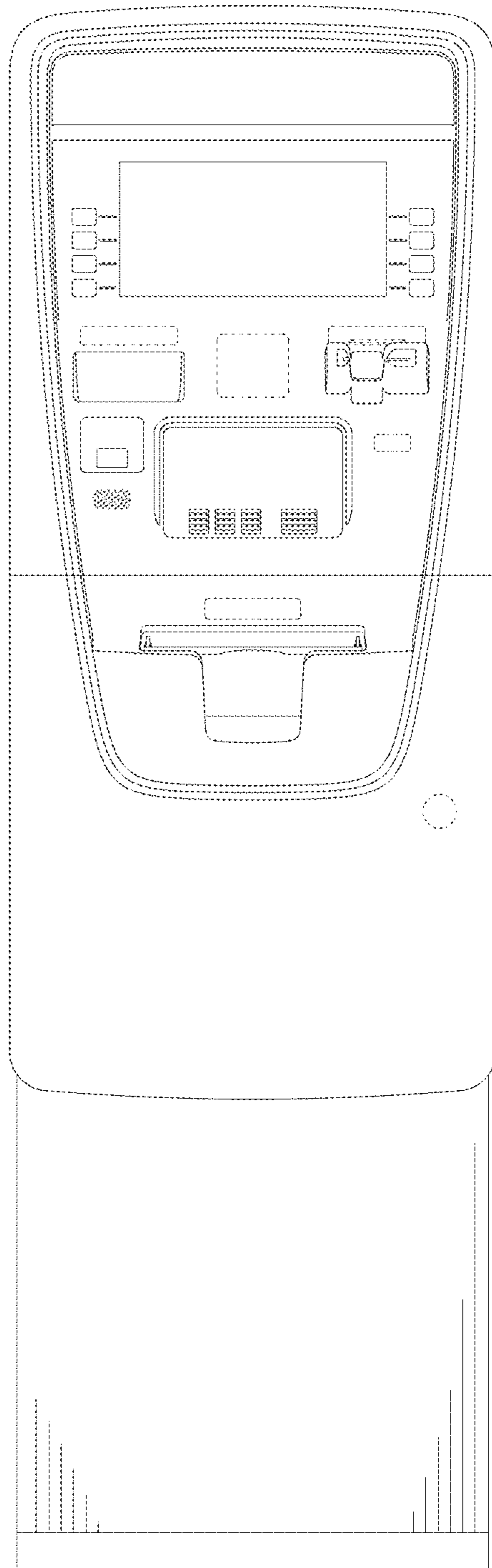


Fig 3

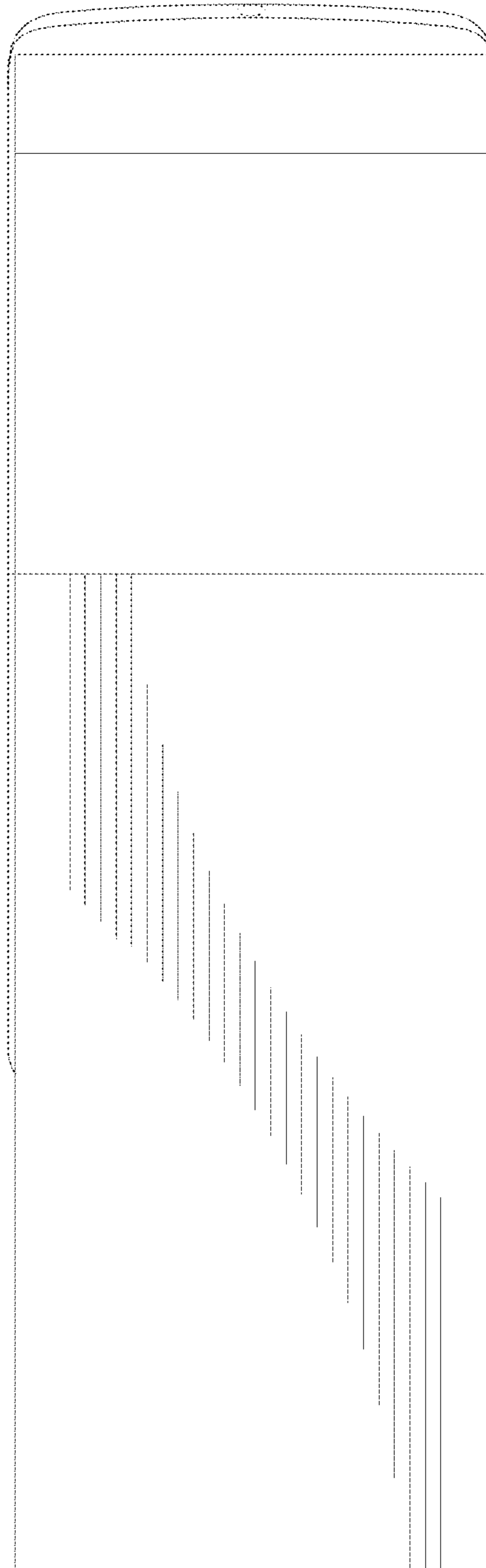


Fig 4

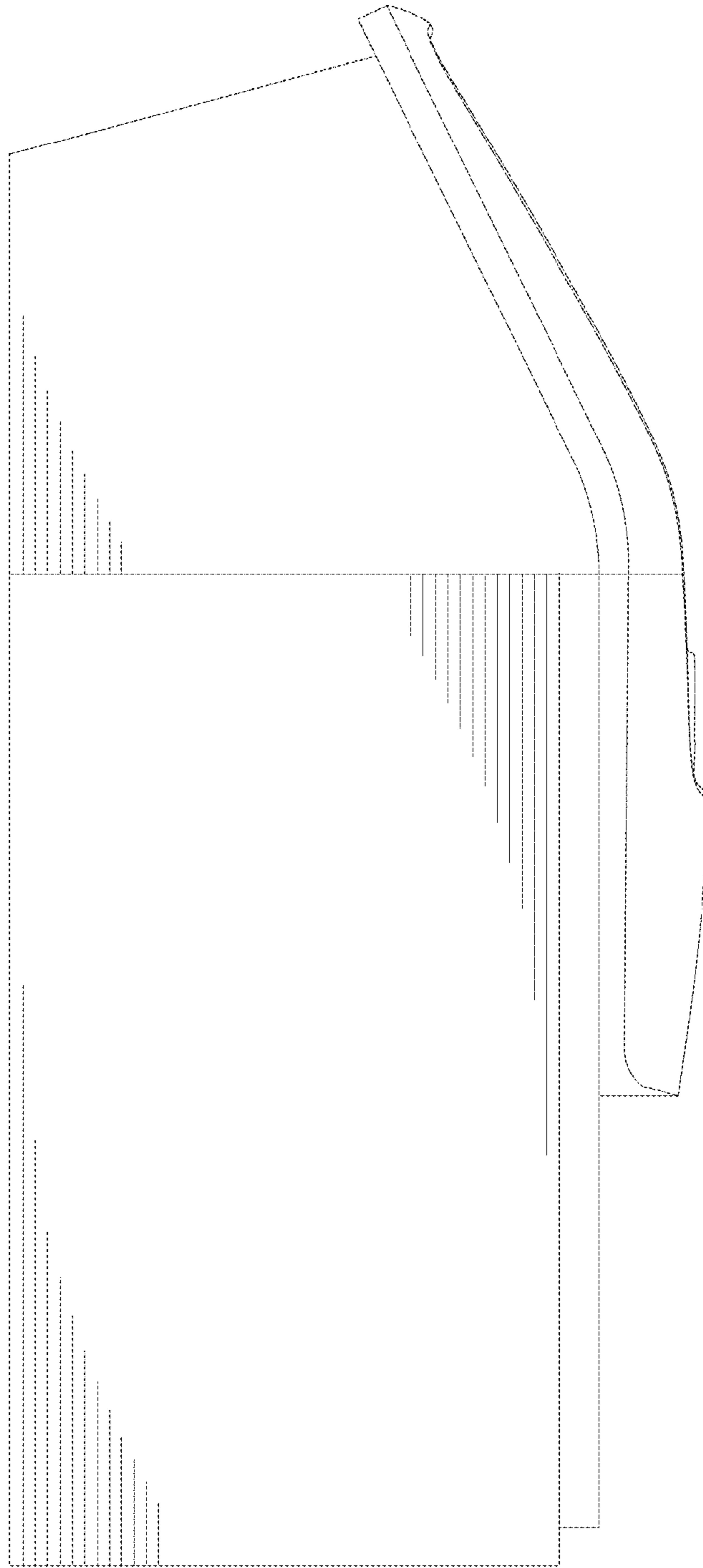


Fig 5

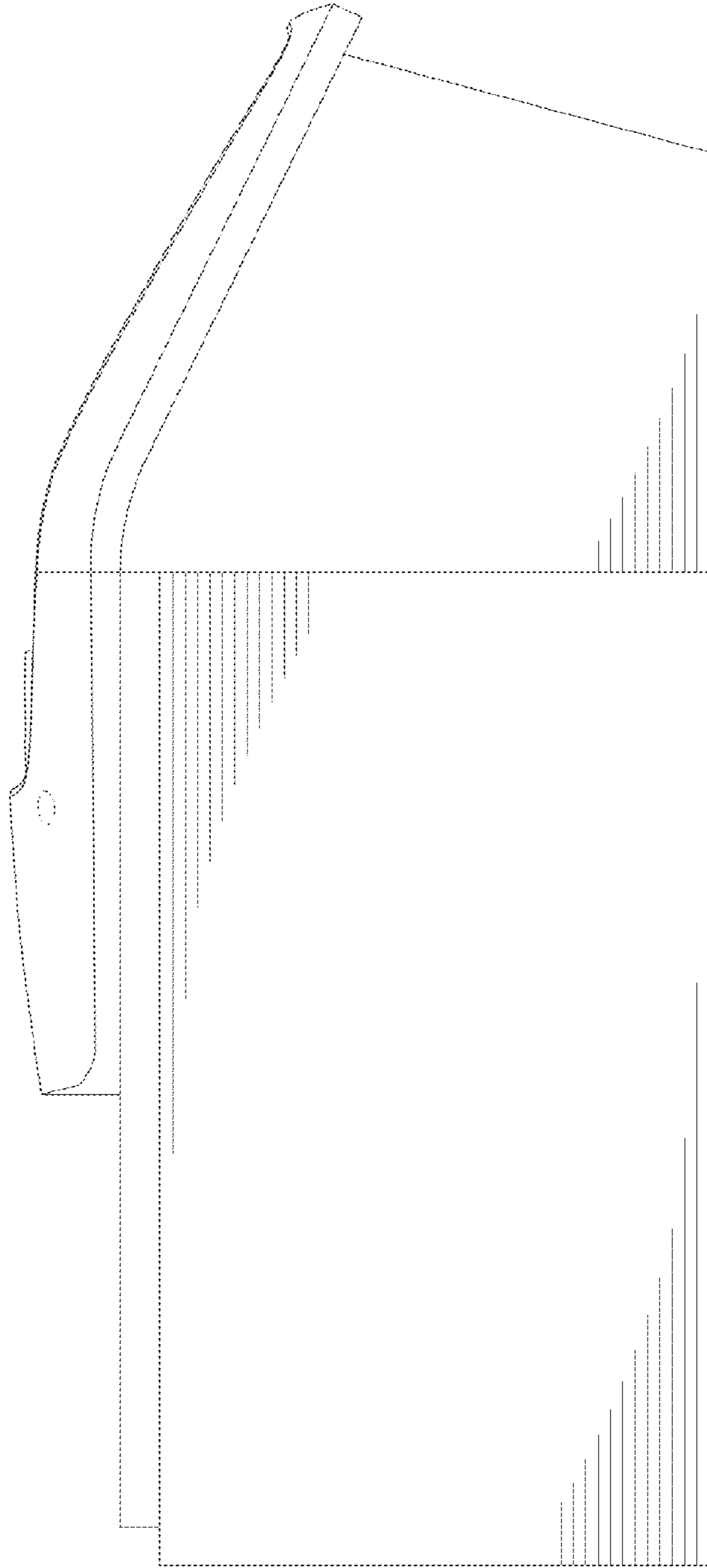


Fig 6

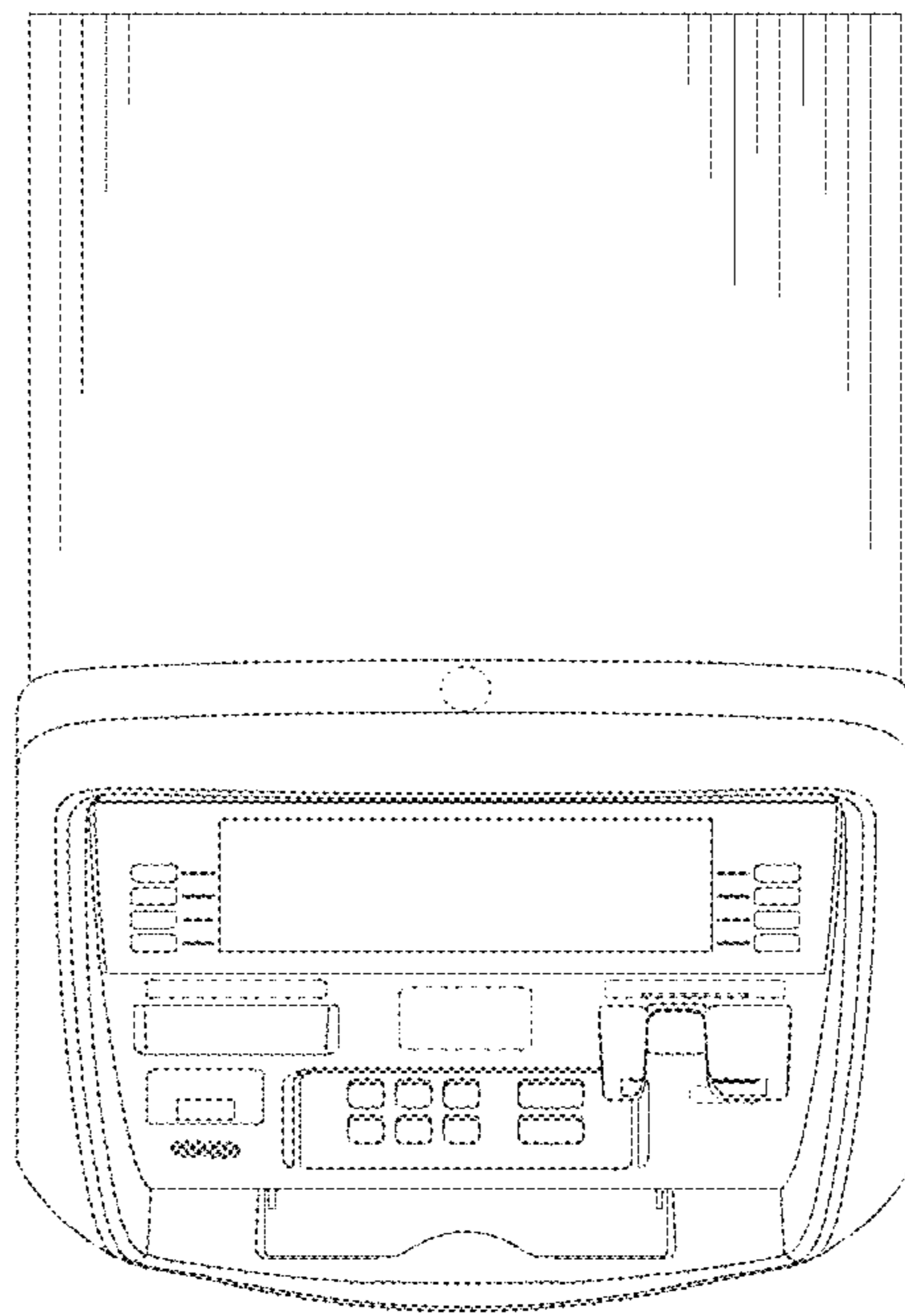


Fig 7

