

US00D769569S

(12) **United States Design Patent** (10) **Patent No.:** **US D769,569 S**
Kennedy et al. (45) **Date of Patent:** **** Oct. 18, 2016**

(54) **KIOSK**

(56) **References Cited**

(71) Applicant: **SourceTechnologies**, Charlotte, NC (US)
(72) Inventors: **Kevin F. Kennedy**, Concord, NC (US); **Charles A. Freeman**, Charlotte, NC (US); **Timothy W. Baker**, Belmont, NC (US)
(73) Assignees: **SOURCETECHNOLOGIES**, Charlotte, NC (US); **SC HOLDINGS 001, LLC**, Charlotte, NC (US)
(**) Term: **14 Years**
(21) Appl. No.: **29/490,872**
(22) Filed: **May 15, 2014**
(51) **LOC (10) Cl.** **20-01**
(52) **U.S. Cl.**
USPC **D99/28**
(58) **Field of Classification Search**
USPC D99/28, 34, 35, 36, 43, 99; D14/300-302, 305, 307, 900-902; D18/3.1-3.3, 4.1-4.6, 12.1-12.3; D21/324, 325, 329, 369, 370; 101/66; 109/1 R, 1 V, 2, 23, 24.1, 25, 58, 58.5, 109/66; 446/8-13; 705/16, 17, 18.42, 43
CPC G06Q 20/10; G06Q 20/108; G06Q 20/1085; G06Q 20/18; G07D 1/00; G07D 1/02; G07D 1/04; G07D 1/06; G07D 11/00; G07D 9/002; G07D 9/04; G07F 19/20; G07F 19/201; G07F 19/202; G07F 19/203; G07F 19/204; G07F 19/205; G07F 19/21; G07F 7/04; G07F 5/00; G07F 1/00; E05G 7/001; E05G 7/006; A63H 33/00; A63H 33/005

U.S. PATENT DOCUMENTS

D318,553	S	*	7/1991	Brown	D99/28
D347,930	S	*	6/1994	Hunter	D99/28
D377,170	S	*	1/1997	Wilson	D14/130
D389,522	S	*	1/1998	Hesselbach	D14/371
D395,129	S	*	6/1998	Johnson	D14/130
D427,742	S	*	7/2000	McCormack	D99/28
D429,401	S	*	8/2000	Sato	D99/28
D431,708	S	*	10/2000	McCormack	D14/900
D449,420	S	*	10/2001	Sommerville	D99/28
D449,726	S	*	10/2001	Lin	D99/28
D456,587	S	*	4/2002	Kit	D99/28
D529,255	S	*	9/2006	Sato	D99/28
7,191,948	B1	*	3/2007	Baitz	A63F 3/064 235/435
7,549,925	B2	*	6/2009	Scholen	A63F 13/08 211/84
D626,544	S	*	11/2010	Bleck	D14/307
D626,545	S	*	11/2010	Bleck	D14/307
D707,012	S	*	6/2014	Swaine	D99/28
2008/0296365	A1	*	12/2008	Schliebe	G01G 19/52 235/379

* cited by examiner

Primary Examiner — Elizabeth J Oswecki
(74) *Attorney, Agent, or Firm* — Alston & Bird LLP

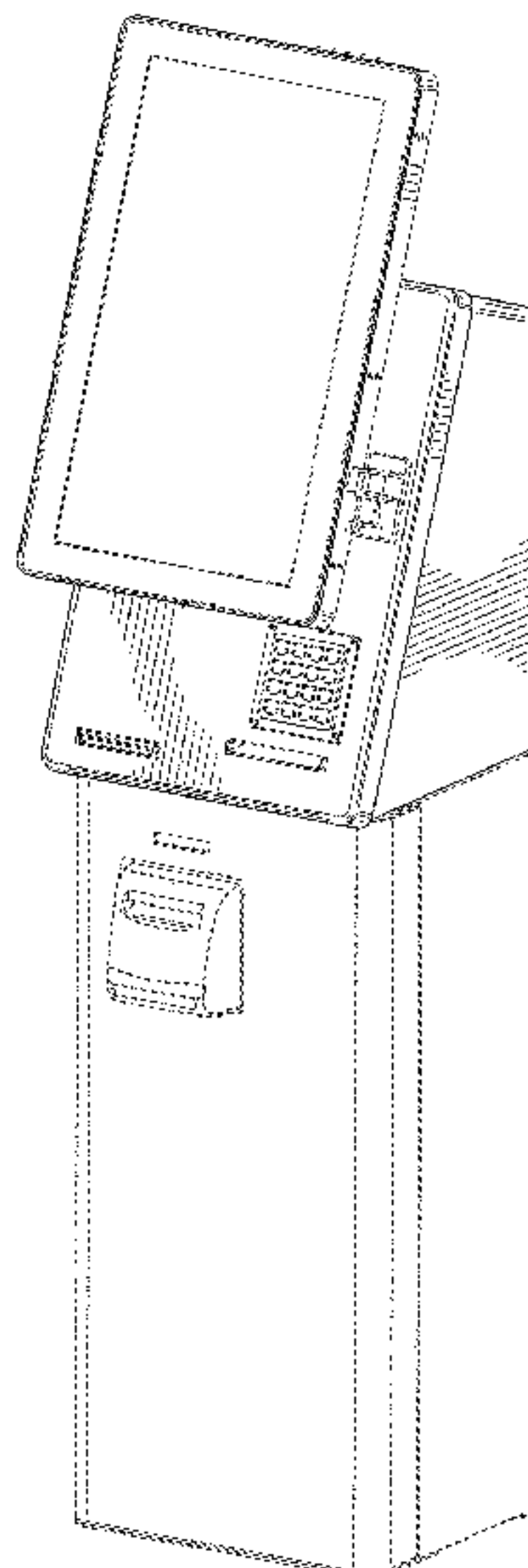
(57) **CLAIM**
The ornamental design for a kiosk, as shown and described.

DESCRIPTION

FIG. 1 is a perspective view of a kiosk showing our new design;
FIG. 2 is a front elevation view thereof;
FIG. 3 is a back elevation view thereof;
FIG. 4 is a right side elevation view thereof;
FIG. 5 is a left side elevation view thereof;
FIG. 6 is a top plan view thereof; and,
FIG. 7 is a bottom plan view thereof.
The broken lines shown in the drawings represent portions of the kiosk that form no part of the claimed design.

See application file for complete search history.

1 Claim, 6 Drawing Sheets



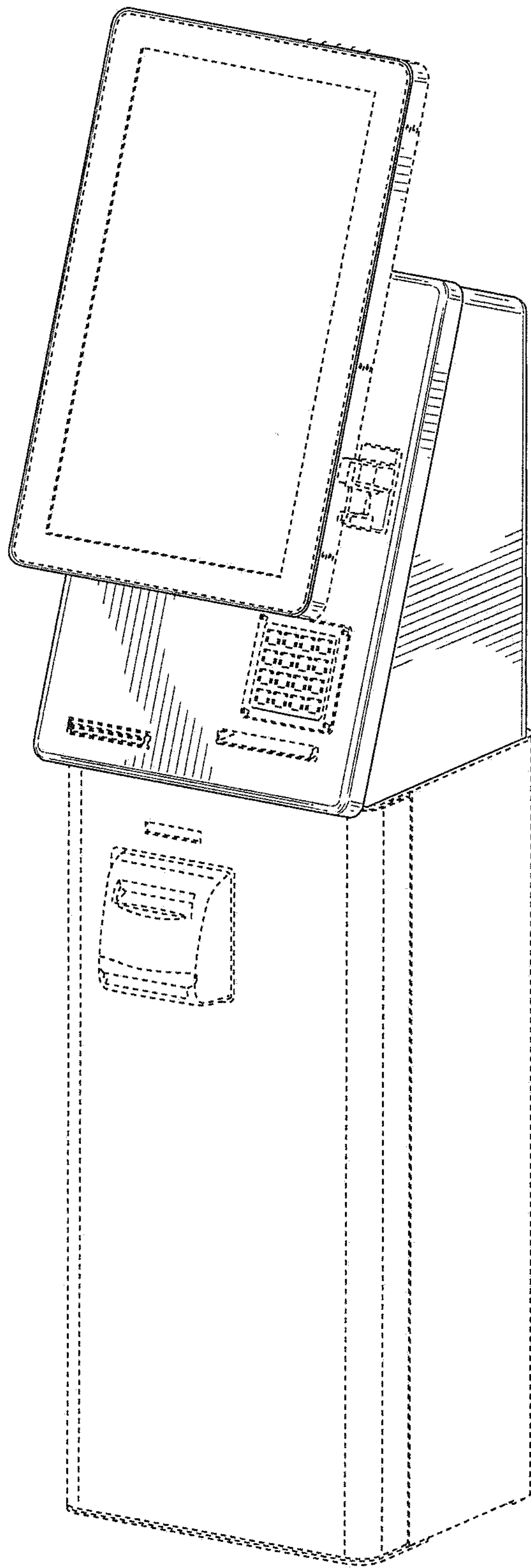


FIG. 1

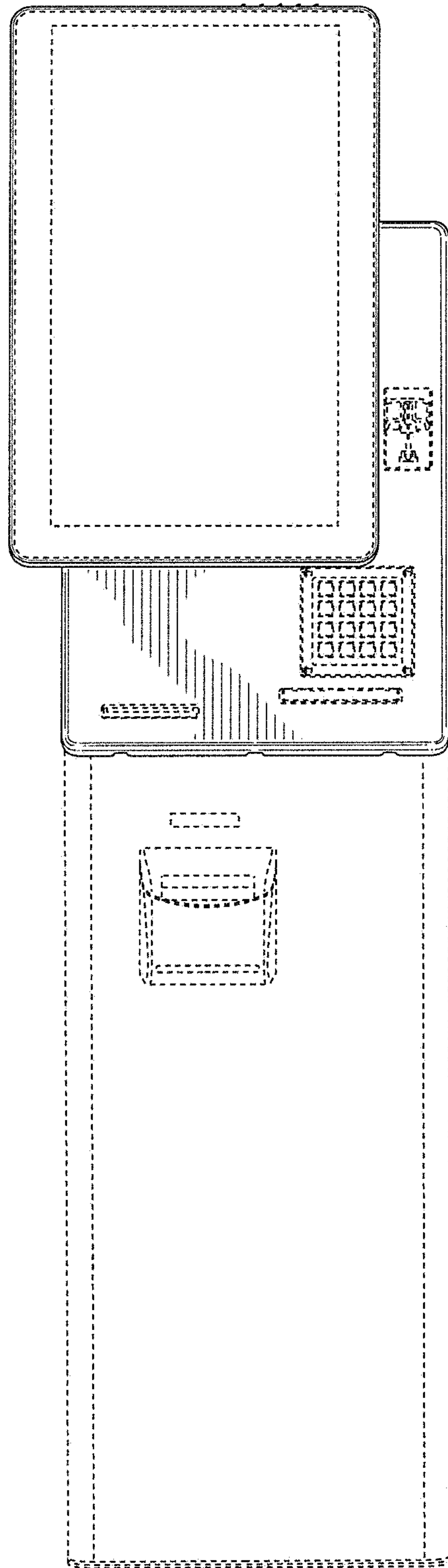


FIG. 2

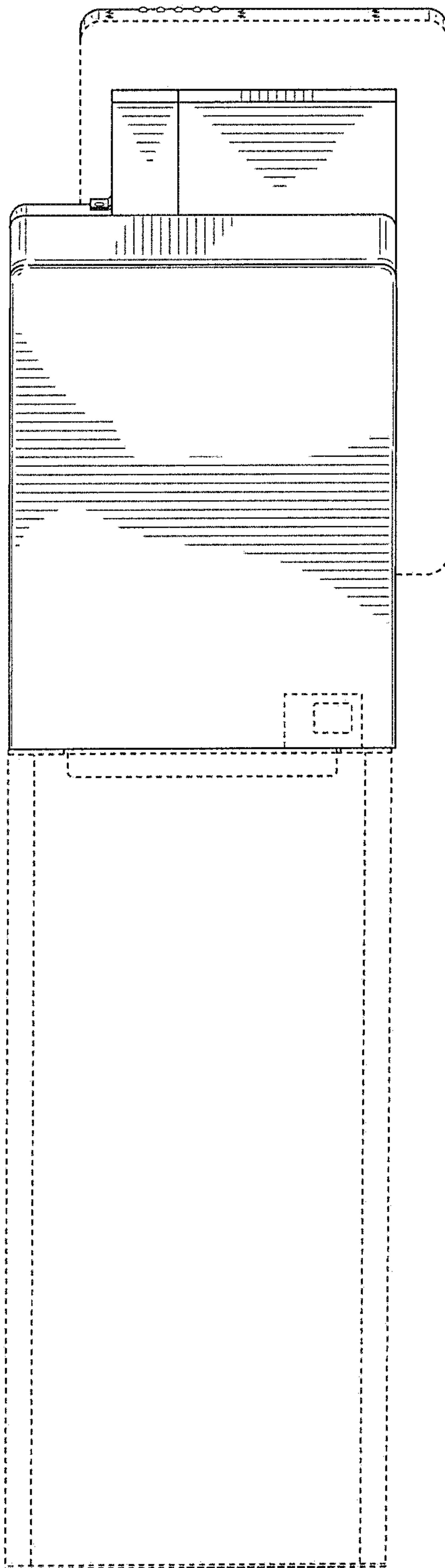


FIG. 3

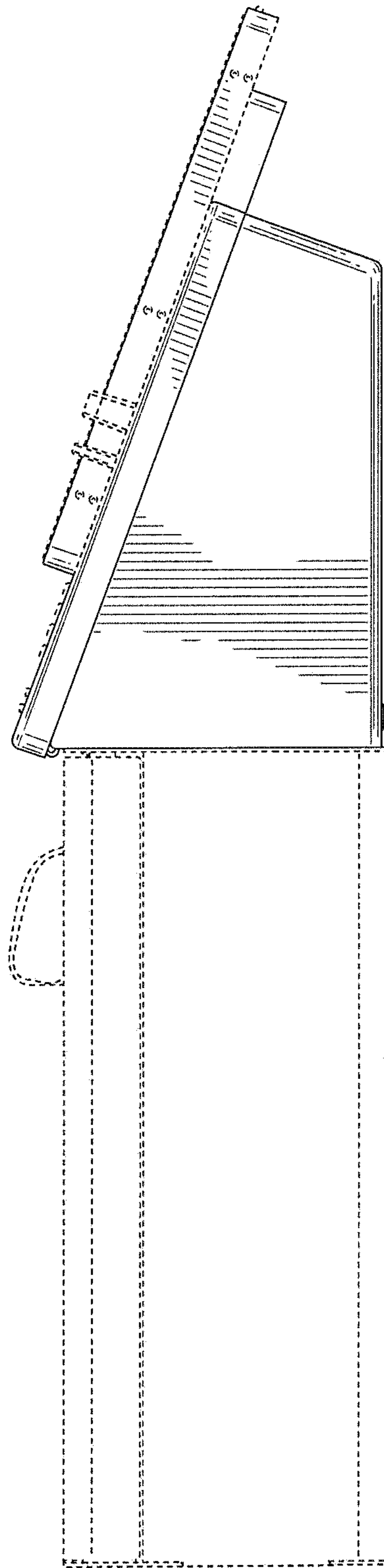


FIG. 4

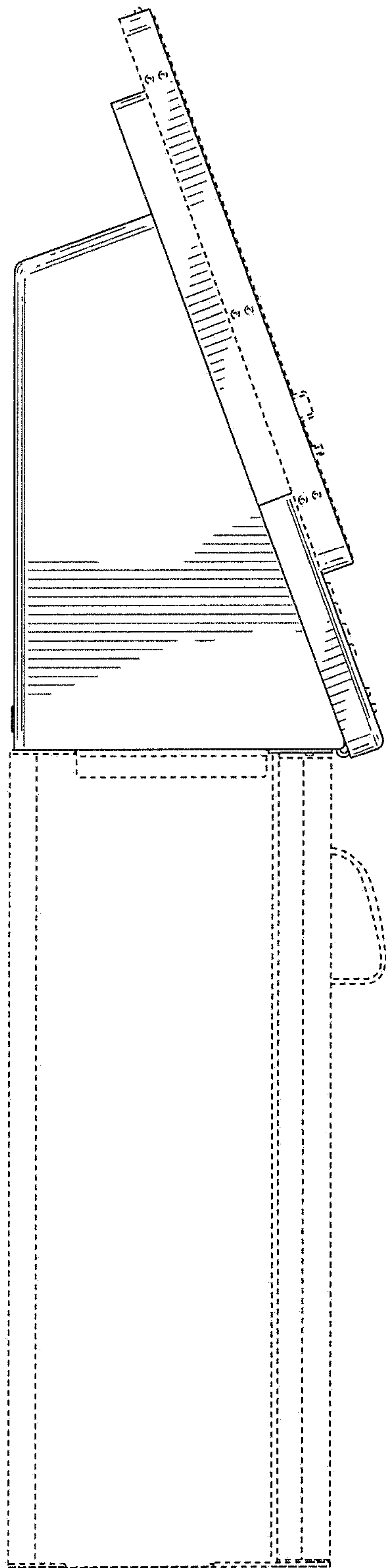


FIG. 5

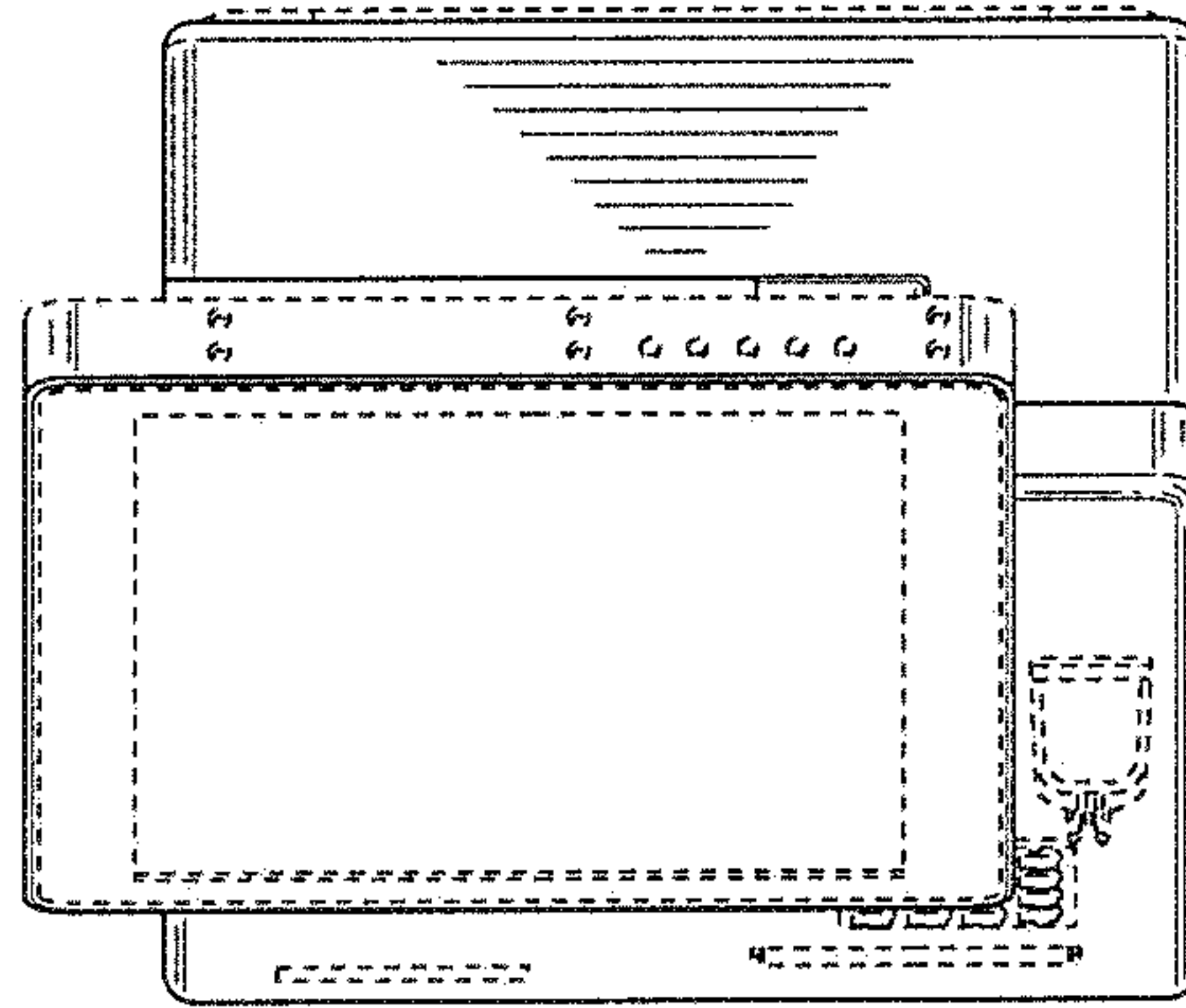


FIG. 6

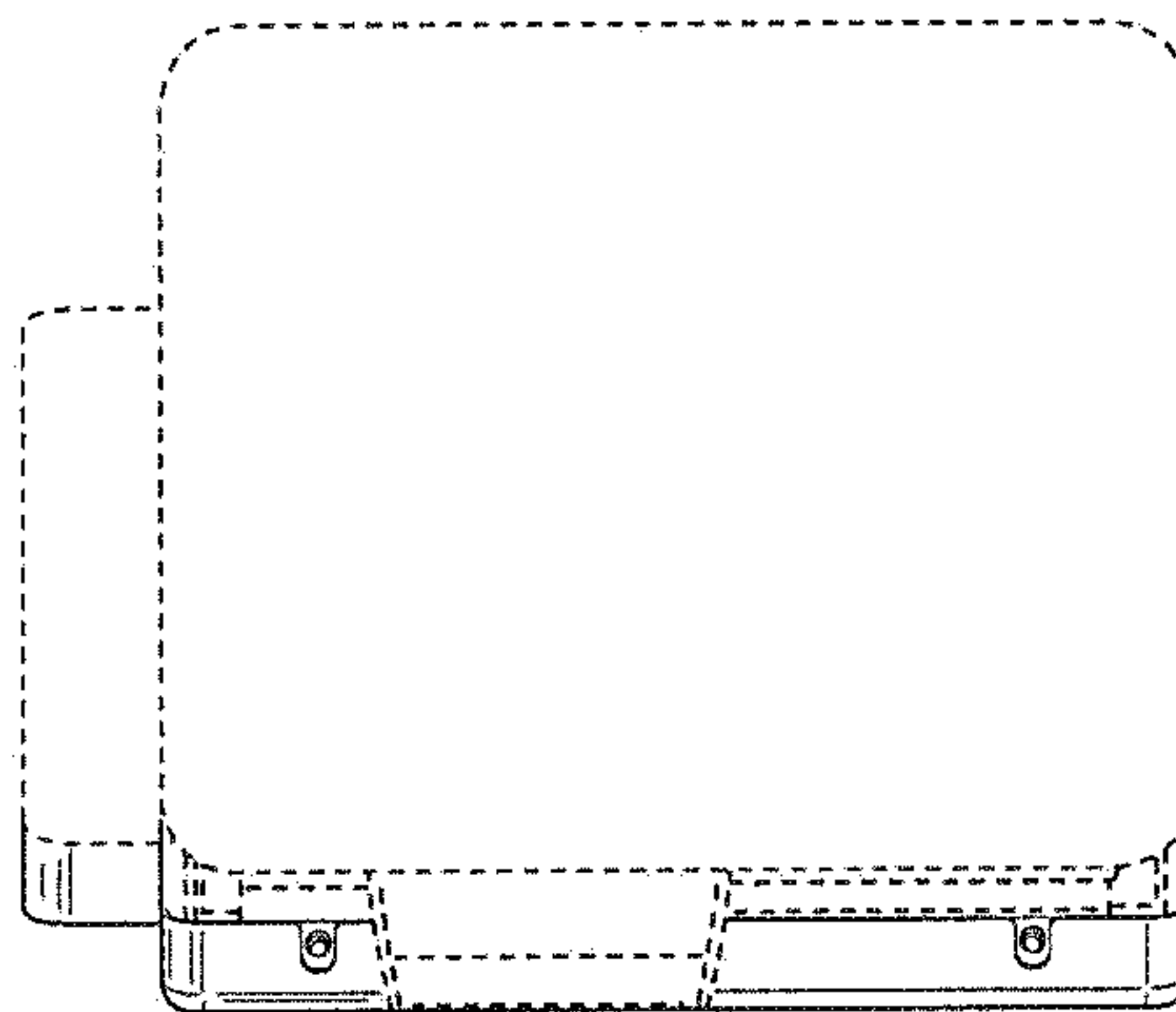


FIG. 7