



US00D769567S

(12) **United States Design Patent** (10) **Patent No.:** **US D769,567 S**
Hoock et al. (45) **Date of Patent:** **** Oct. 18, 2016**

(54) **FORKLIFT**
(71) Applicants: **Michael Hoock**, Wuppertal (DE);
Nikke Hyvönen, Turku (FI); **Heidi Hautala**, Turku (FI); **Matti Makkonen**, Turku (FI); **Harri Alanen**, Turku (FI)
(72) Inventors: **Michael Hoock**, Wuppertal (DE);
Nikke Hyvönen, Turku (FI); **Heidi Hautala**, Turku (FI); **Matti Makkonen**, Turku (FI); **Harri Alanen**, Turku (FI)

D640,855 S * 6/2011 Ruppert D34/34
D684,333 S * 6/2013 Knie D34/34
D717,514 S * 11/2014 Miggels D34/34
D720,114 S * 12/2014 Stark D34/34
D730,614 S * 5/2015 Wu D34/34
D733,389 S * 6/2015 Wu D34/34
D734,915 S * 7/2015 Nopper D34/35
2007/0080024 A1 * 4/2007 Langenkamp B66F 9/08
187/222
2008/0202858 A1 * 8/2008 Borchers B60K 1/04
187/233
2012/0275892 A1 * 11/2012 Allerding B66F 17/003
414/663

(73) Assignee: **Hyster-Yale Group, Inc.**, Fairview, OR (US)

* cited by examiner

(**) Term: **14 Years**

Primary Examiner — Cynthia Ramirez

(21) Appl. No.: **29/487,022**

(74) *Attorney, Agent, or Firm* — Schwabe, Williamson & Wyatt

(22) Filed: **Apr. 4, 2014**

(51) **LOC (10) Cl.** **12-05**

(52) **U.S. Cl.**
USPC **D34/34**

(58) **Field of Classification Search**
USPC D34/34, 35
CPC B60N 2/4693; B66F 9/06; B66F 9/07554;
B66F 9/07545; B66F 9/12; B66F 17/003
See application file for complete search history.

(56) **References Cited**

U.S. PATENT DOCUMENTS

5,890,562 A * 4/1999 Bartels B60N 2/4693
180/321
D539,503 S * 3/2007 Quinlan, Jr. D34/34

(57) **CLAIM**

We claim the ornamental design for a forklift, as shown and described.

DESCRIPTION

FIG. 1 is a rear view of a forklift showing our new design; FIG. 2 is a right view of the forklift of FIG. 1; FIG. 3 is a left view of the forklift of FIG. 1; FIG. 4 is a right, rear isometric view of the forklift of FIG. 1; and, FIG. 5 is a left, rear isometric view of the forklift of FIG. 1. In FIGS. 1-5, the broken lines indicate environmental features and form no part of the claimed design.

1 Claim, 5 Drawing Sheets

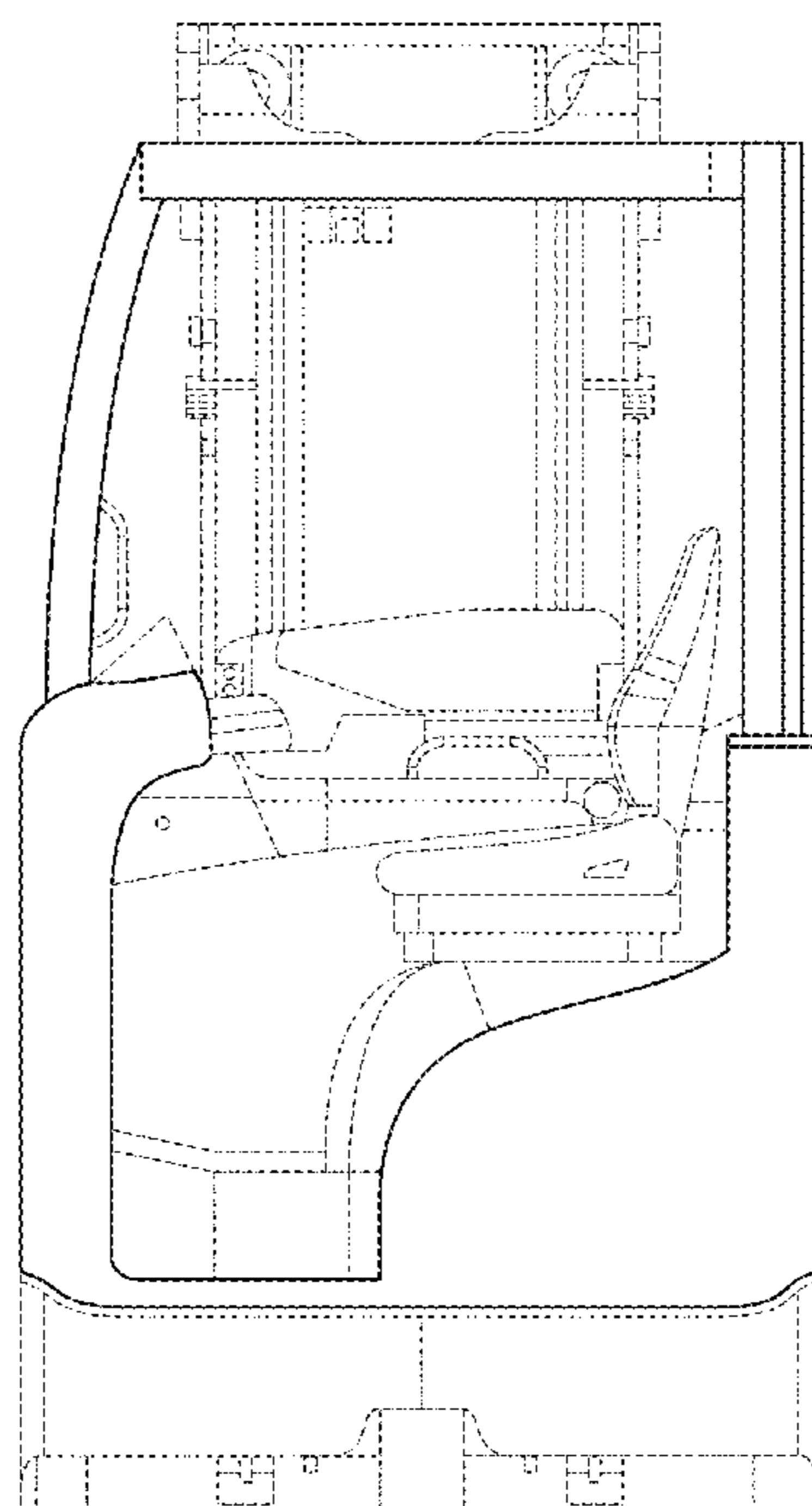


Fig. 1

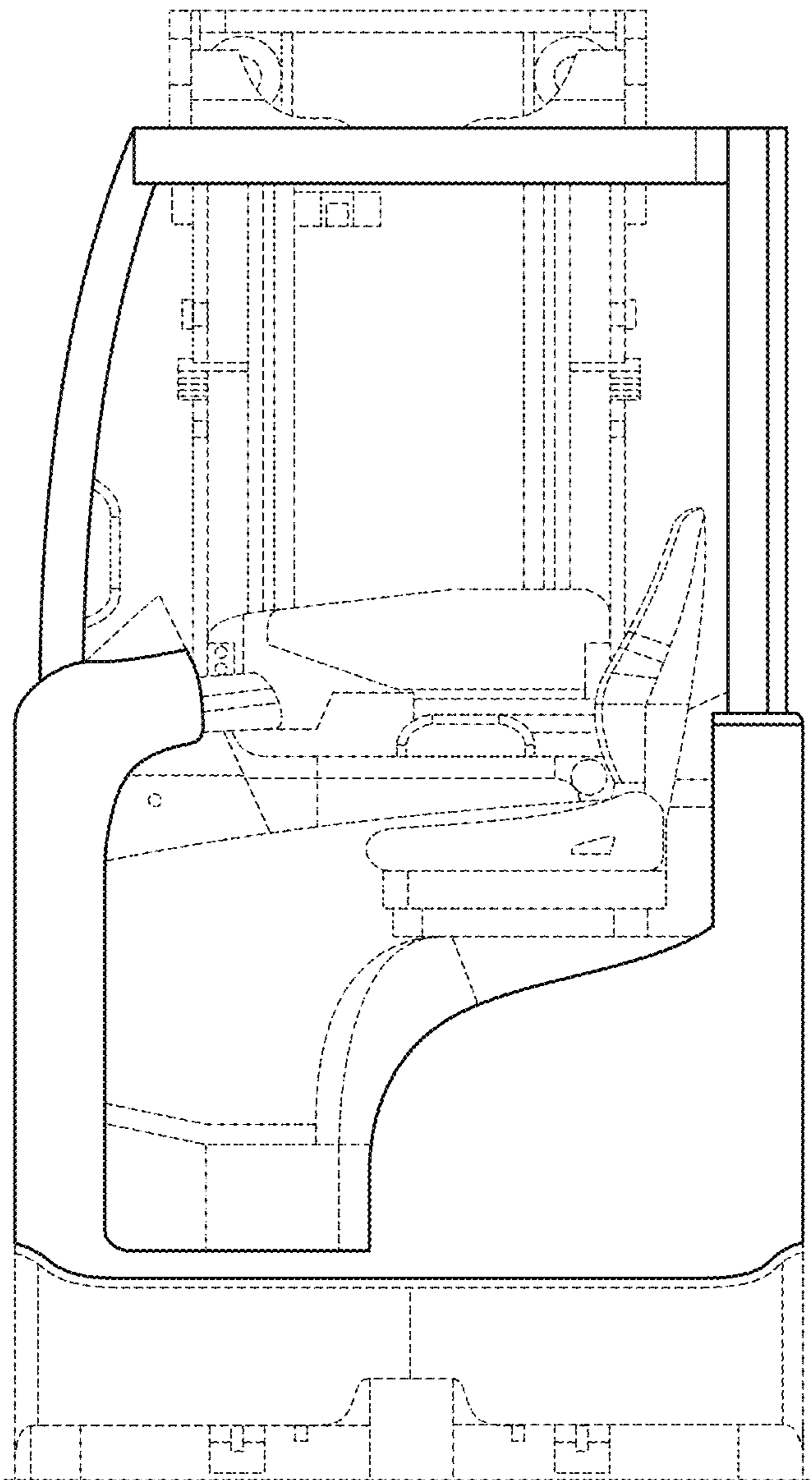


Fig. 2

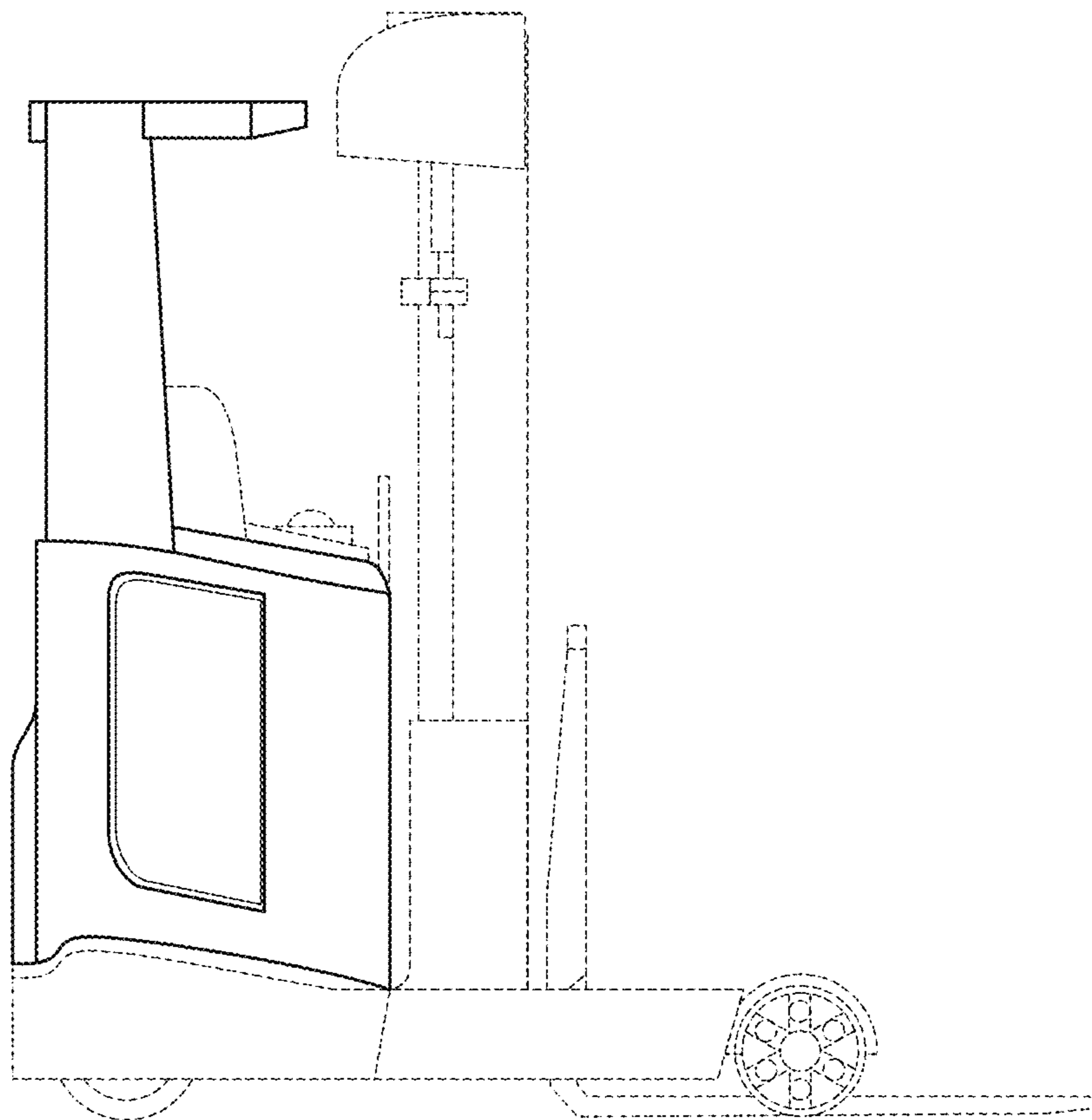


Fig. 3

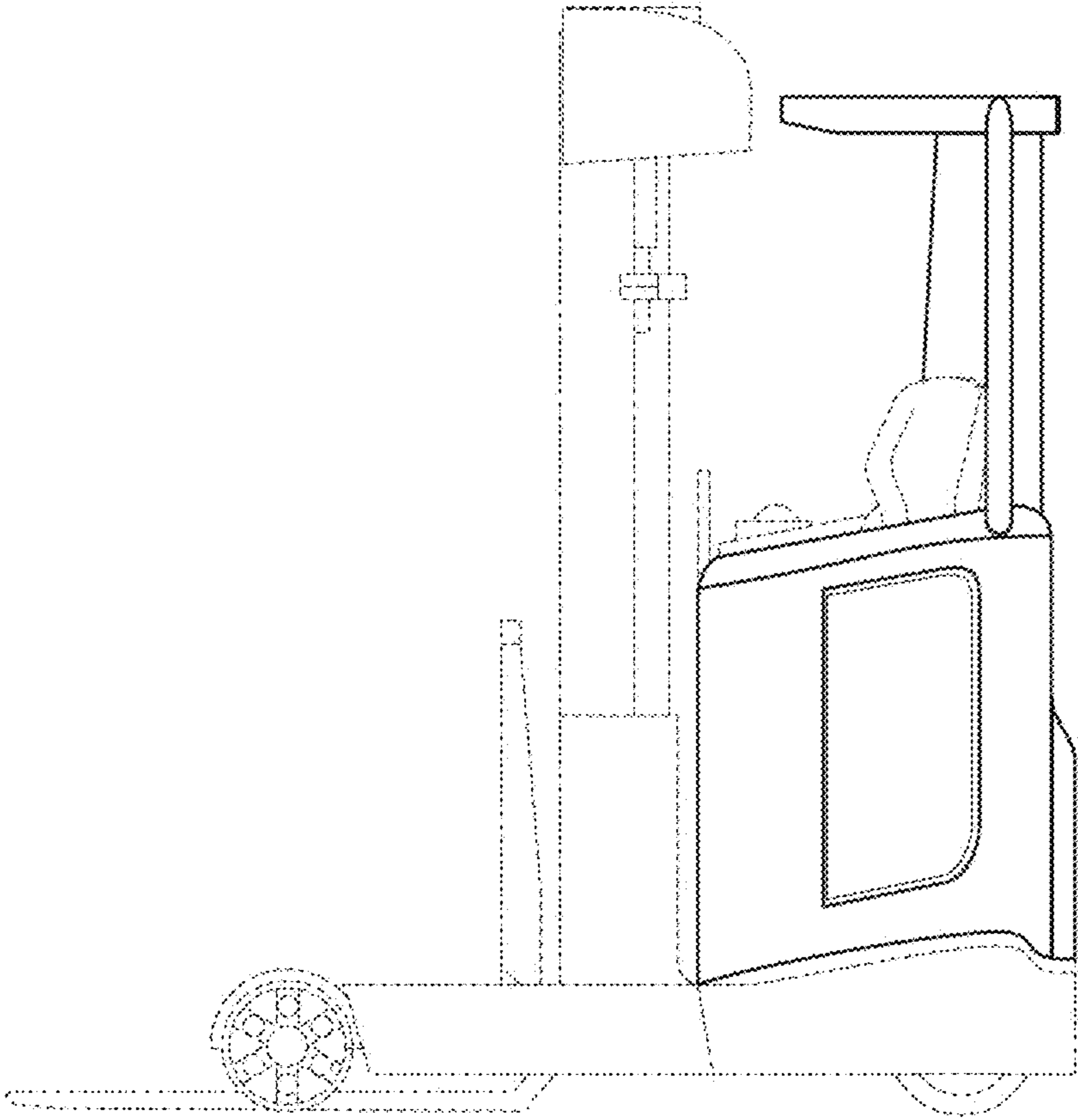


Fig. 4

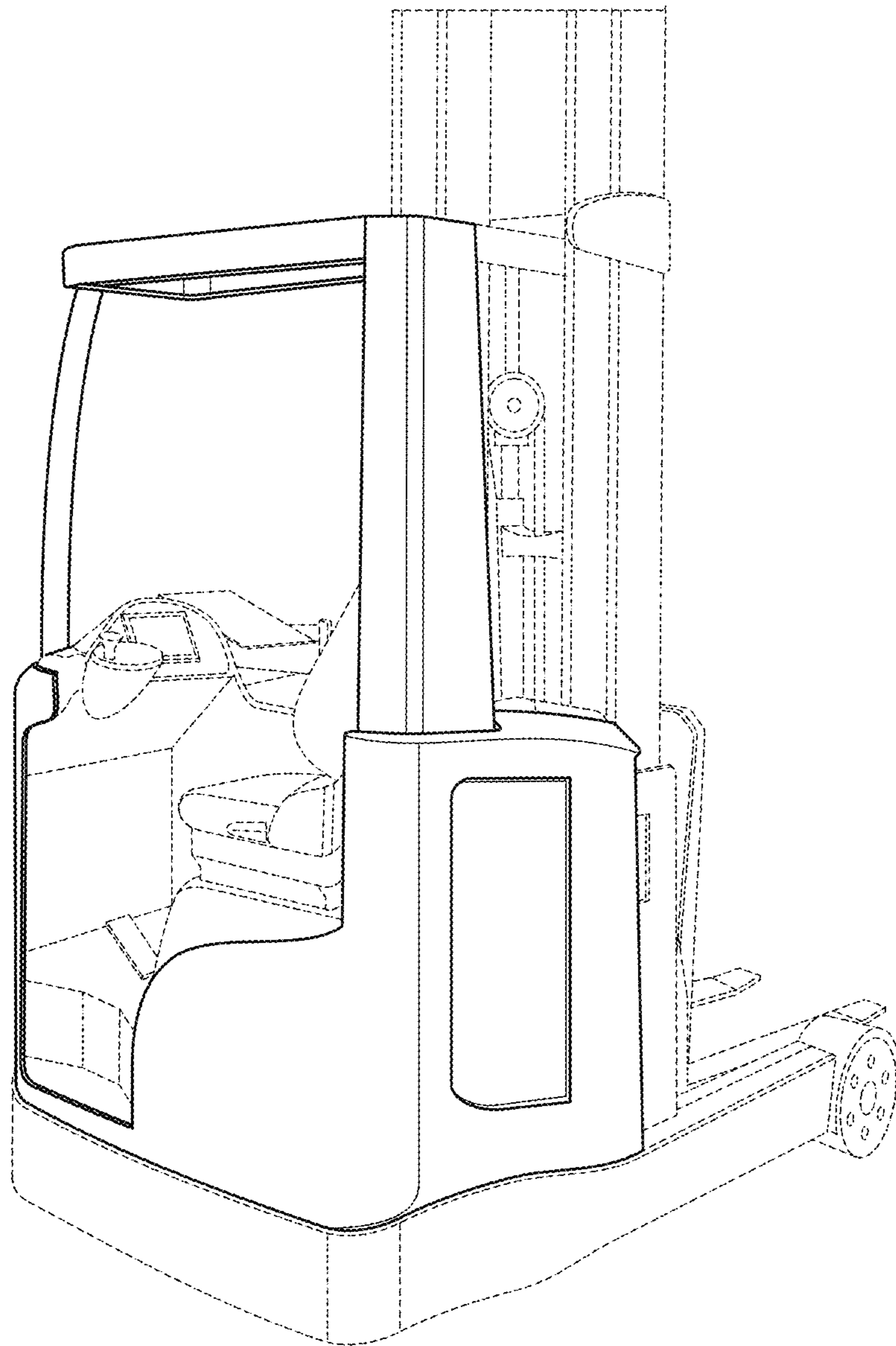


Fig. 5

