

US00D769563S

(12) **United States Design Patent**
Garcia et al.

(10) **Patent No.:** **US D769,563 S**

(45) **Date of Patent:** **** Oct. 18, 2016**

(54) **RECEPTACLE FOR DEBRIS COLLECTION**

(71) Applicants: **Gualberto Garcia**, North Hills, CA (US); **Alfredo Sandoval**, Canoga Park, CA (US)

(72) Inventors: **Gualberto Garcia**, North Hills, CA (US); **Alfredo Sandoval**, Canoga Park, CA (US)

(**) Term: **14 Years**

(21) Appl. No.: **29/521,676**

(22) Filed: **Mar. 25, 2015**

(51) **LOC (10) Cl.** **07-05**

(52) **U.S. Cl.**
USPC **D32/74**

(58) **Field of Classification Search**
USPC D32/74, 41; D30/162; D7/691, 688; D4/116; 15/257.5, 257.3, 257.2, 257.1; 134/6
CPC A47L 13/52; A47L 13/51; A46B 15/00; A46B 15/0097; A46B 15/0095; A46B 17/04; A46B 5/00; A46B 2200/302
See application file for complete search history.

(56) **References Cited**

U.S. PATENT DOCUMENTS

335,776 A * 2/1886 Rock B07B 1/04 15/260
D28,095 S * 12/1897 Mills D32/53

4,312,531 A * 1/1982 Cross E01H 1/12 141/108
D383,002 S * 9/1997 Rigney D32/74
D441,159 S * 4/2001 Cann D32/74
6,233,781 B1 * 5/2001 Savage A47L 13/52 15/257.4
6,698,058 B2 * 3/2004 Cann A47L 13/52 15/257.1
D544,310 S * 6/2007 Smigiel D32/53
D636,139 S * 4/2011 Jones D32/74
D739,107 S * 9/2015 Brandon D32/53
D740,508 S * 10/2015 Brandon D32/53
2015/0274416 A1 * 10/2015 Garcia B65F 1/02 220/200

* cited by examiner

Primary Examiner — Austin Murphy

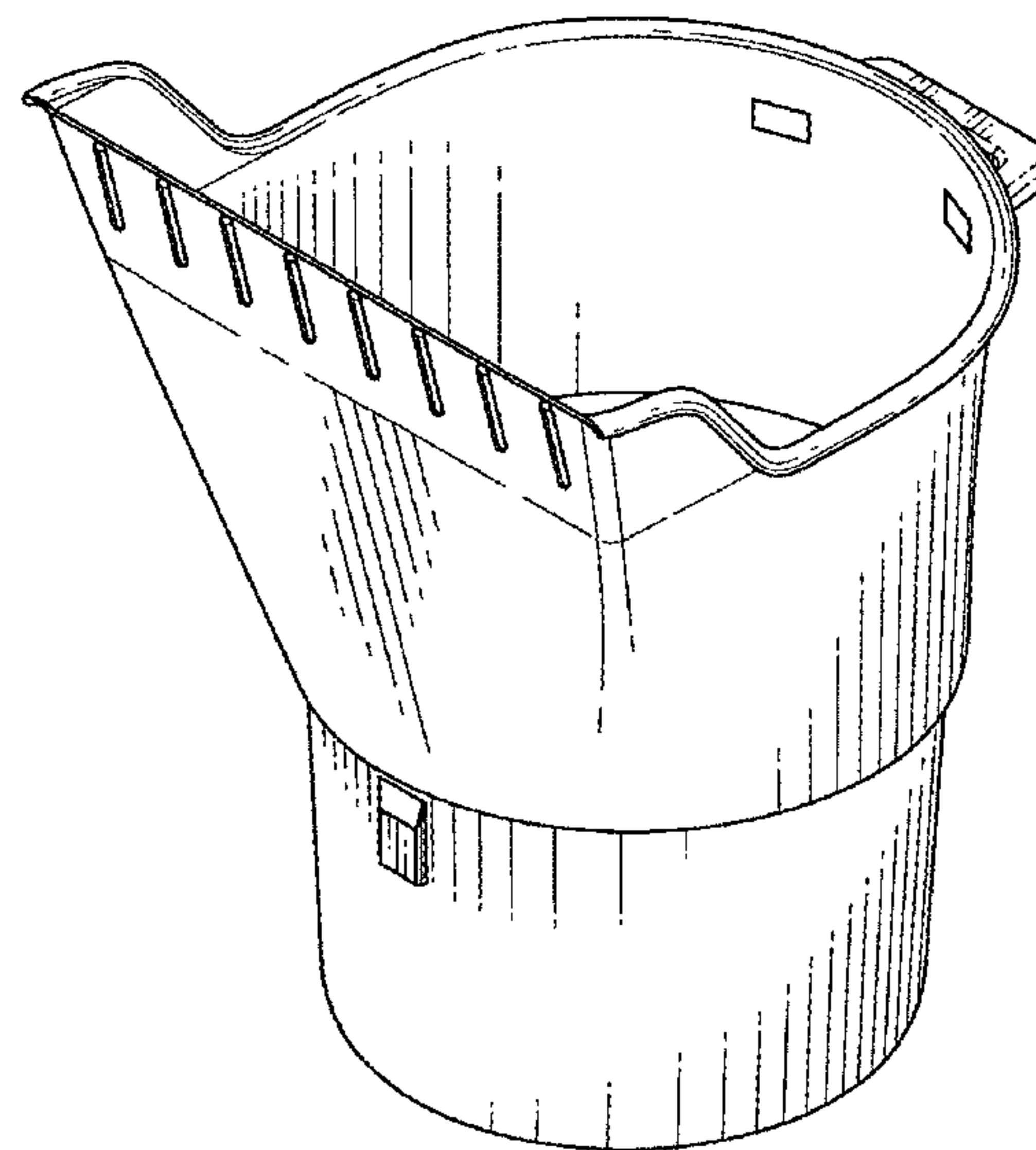
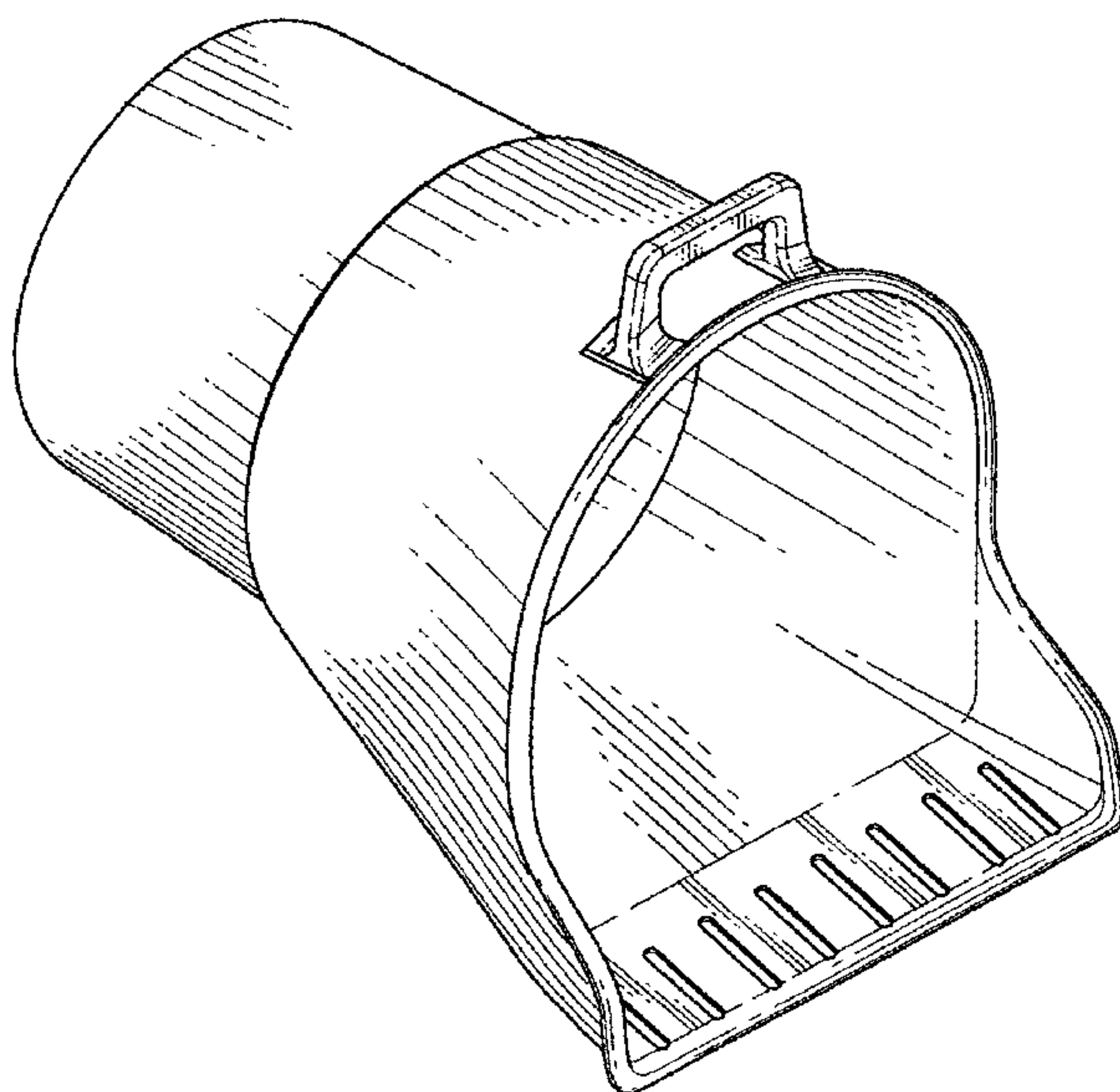
(57) **CLAIM**

The ornamental design for a receptacle for debris collection, as shown and described.

DESCRIPTION

FIG. 1 is an orthographic back and right side view of a receptacle showing our new design in a reclined position. FIG. 2 is an orthographic front and left side view thereof; FIG. 3 is an orthographic back and left side view thereof; FIG. 4 is an elevational view of the right side thereof, the opposite side being a mirror image; and, FIG. 5 is a back elevational view thereof.

1 Claim, 5 Drawing Sheets



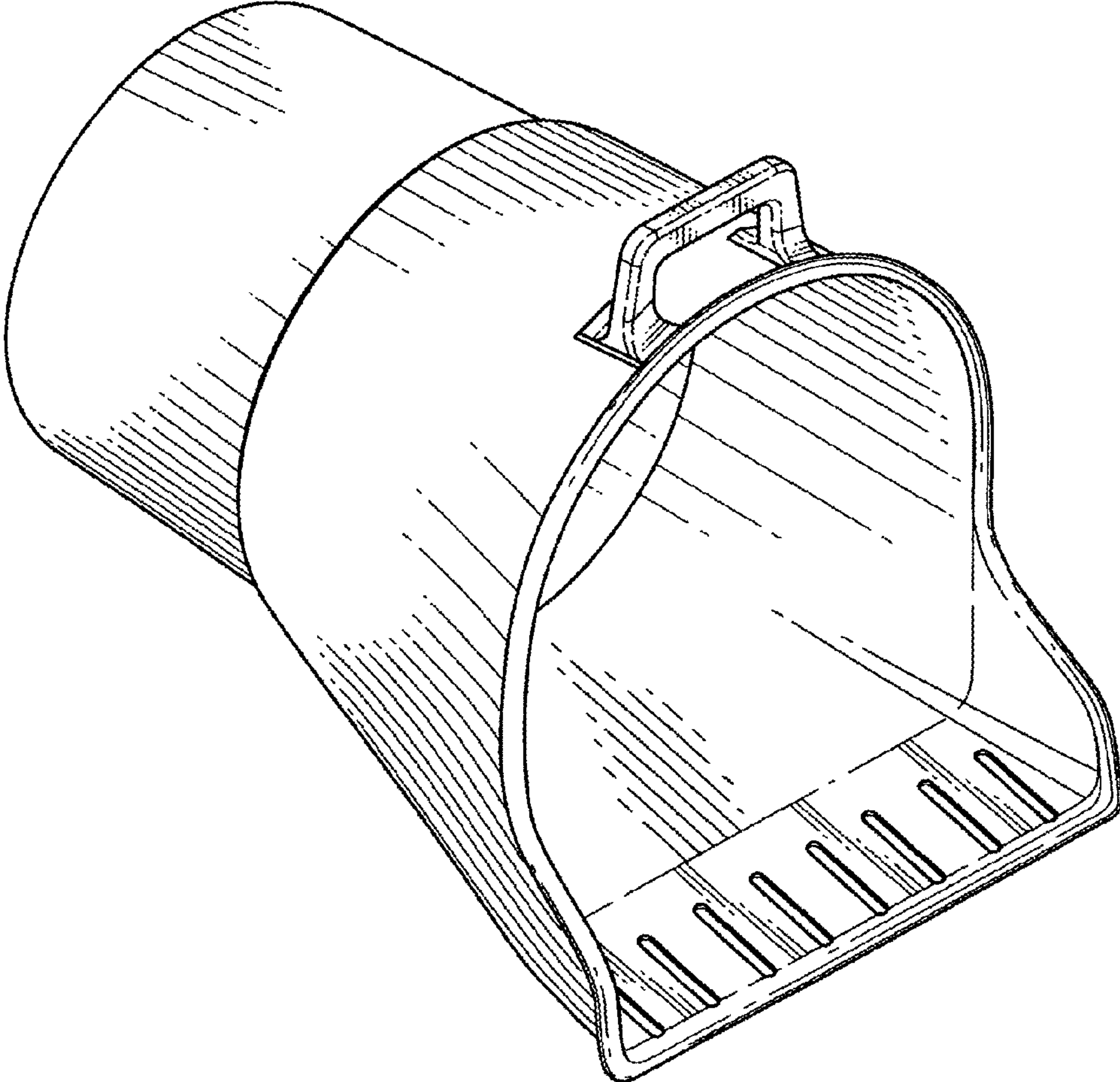


FIG. 1

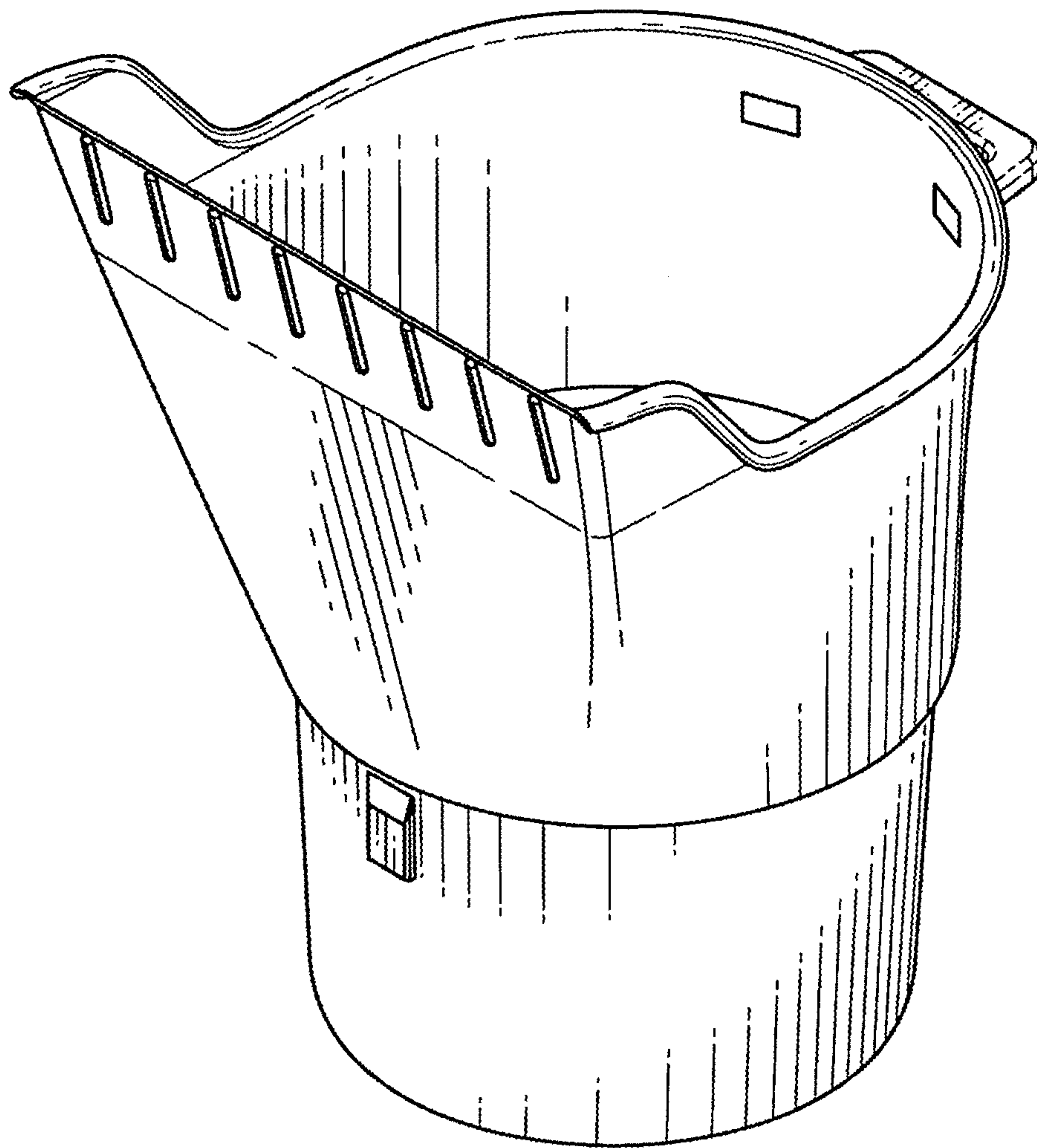


FIG. 2

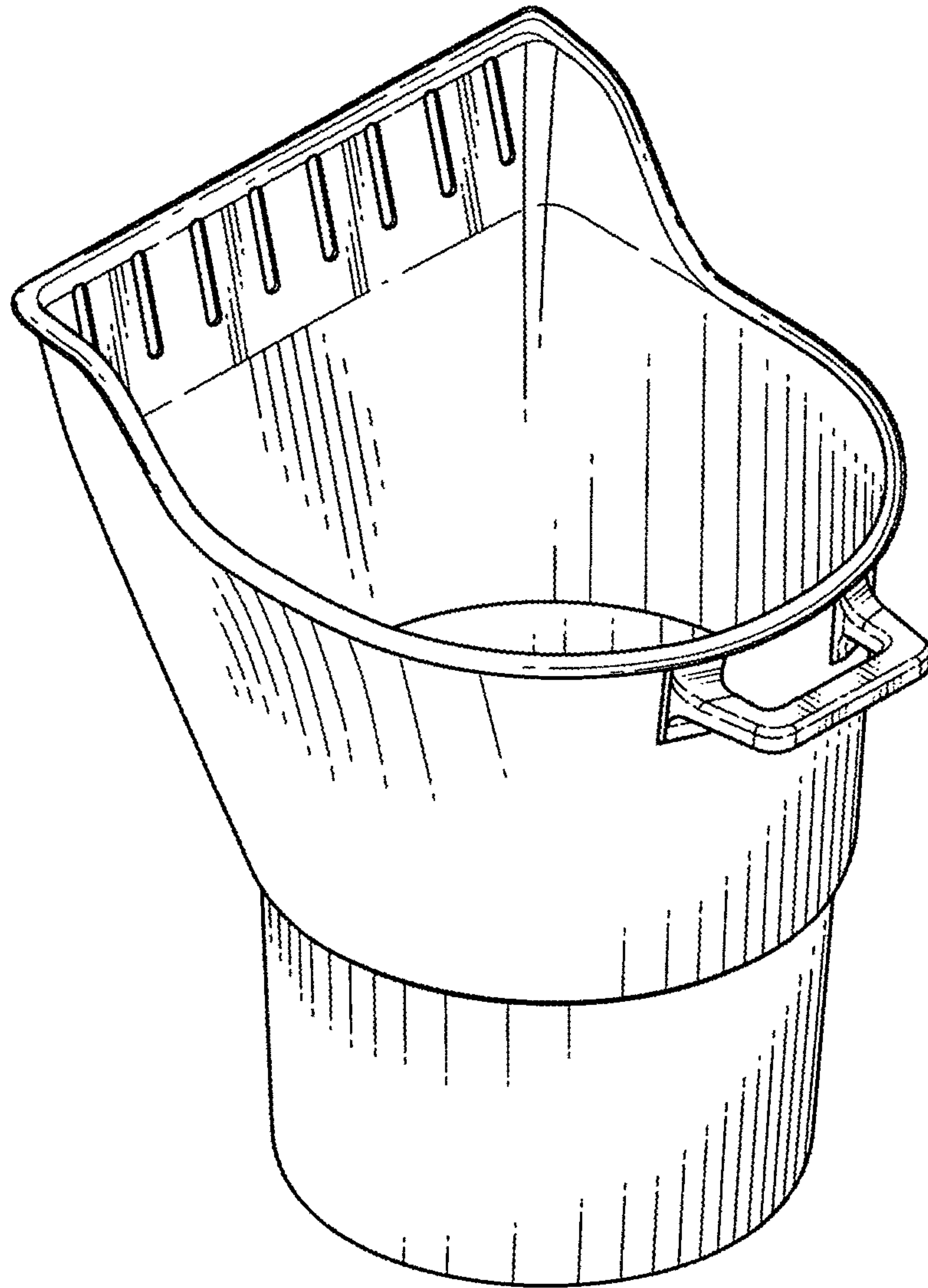


FIG. 3

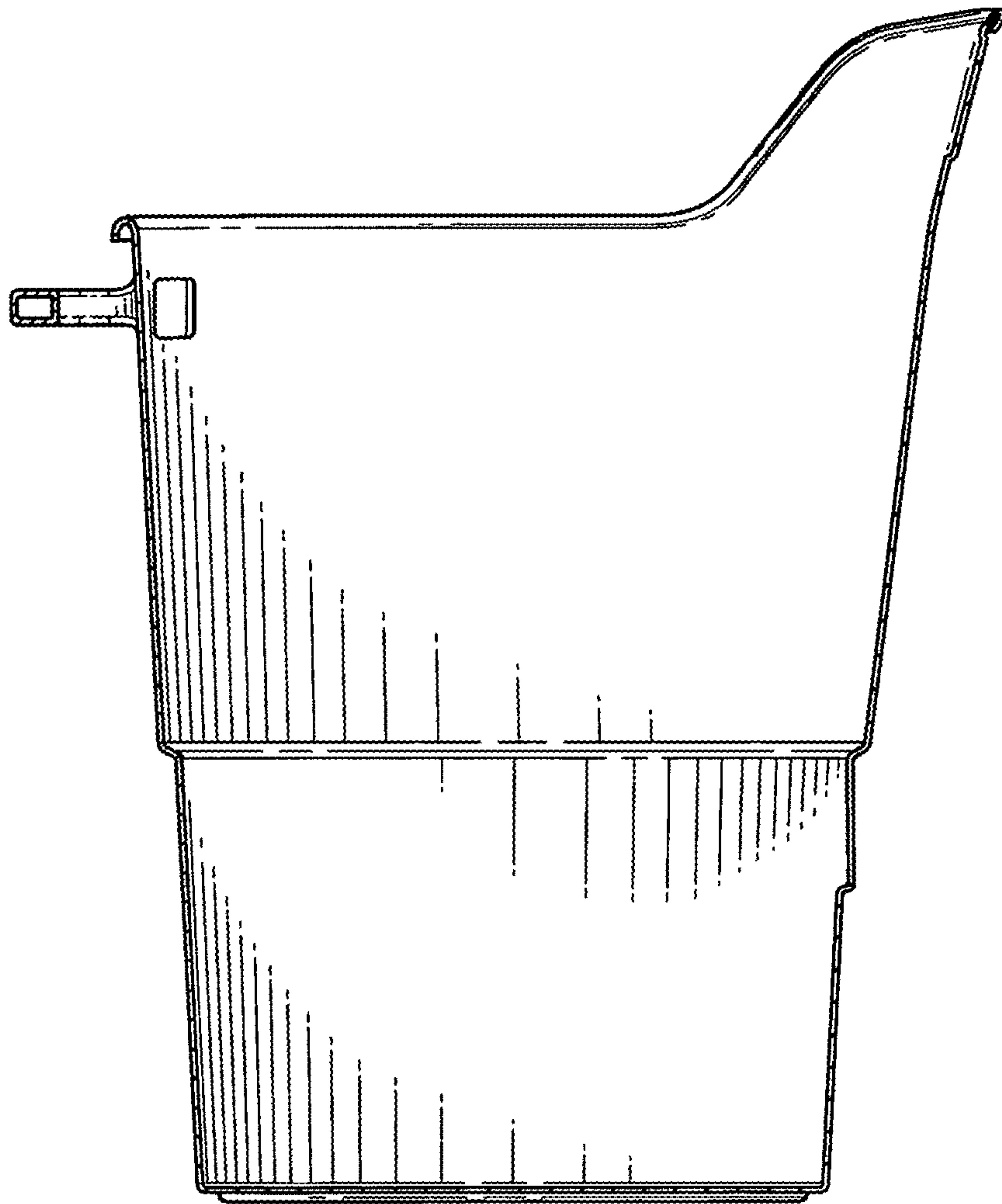


FIG. 4

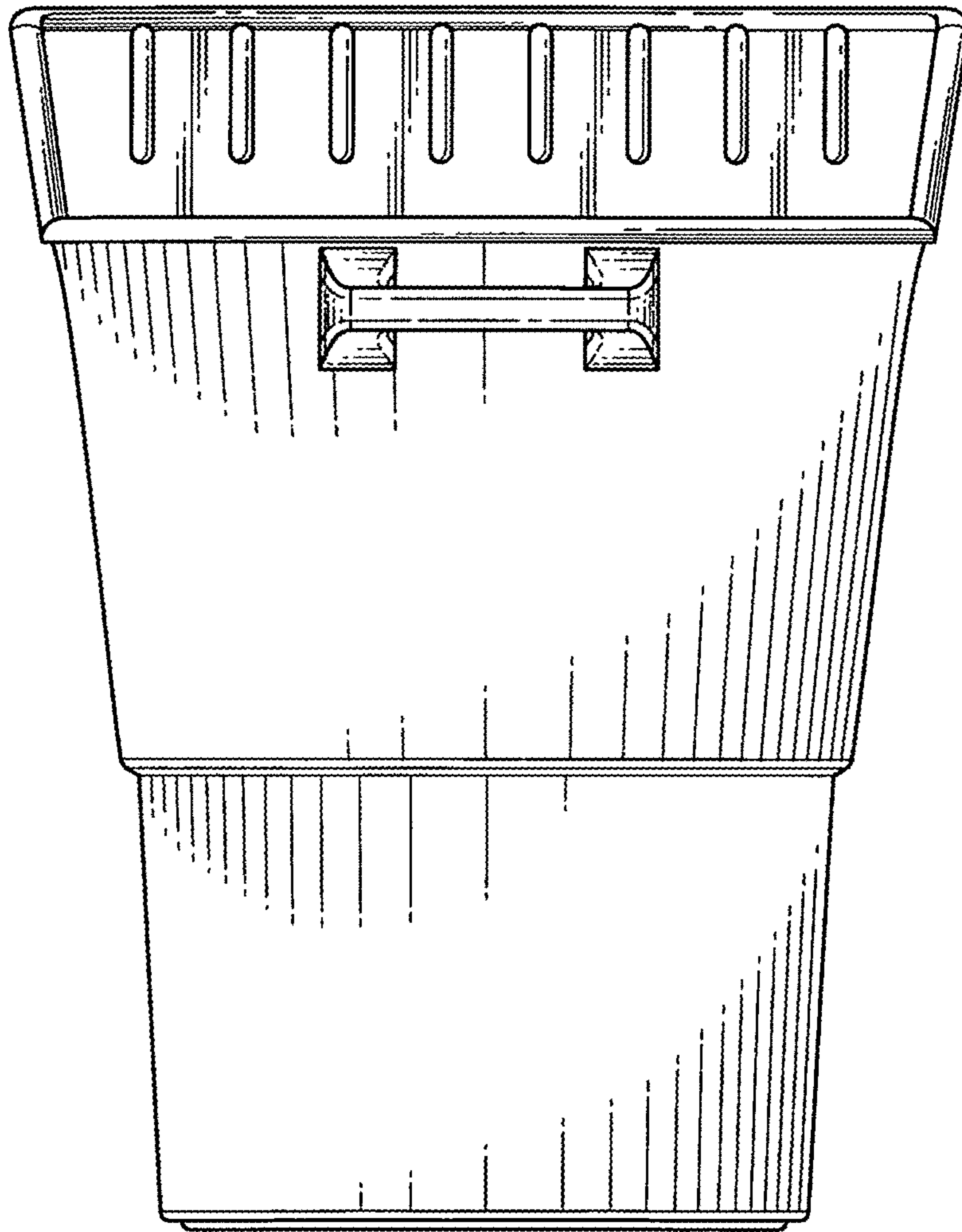


FIG. 5