



US00D769558S

(12) **United States Design Patent**
Suzuki et al.

(10) **Patent No.:** **US D769,558 S**

(45) **Date of Patent:** **** Oct. 18, 2016**

(54) **BRUSH FOR VACUUM CLEANER**

(71) Applicant: **Samsung Electronics Co., Ltd.**,
Suwon-si, Gyeonggi-do (KR)

(72) Inventors: **Masato Suzuki**, Saitama (JP); **Hirohisa Miyazaki**, Tokyo (JP); **Norio Okada**,
Yokohama (JP); **Atsuhiko Yoneda**,
Warabi (JP); **Mitsuhiro Shigeri**,
Yokohama (JP)

(73) Assignee: **SAMSUNG ELECTRONICS CO., LTD.**,
Suwon-Si, Gyeonggi-Do (KR)

(**) Term: **15 Years**

(21) Appl. No.: **29/528,069**

(22) Filed: **May 26, 2015**

(30) **Foreign Application Priority Data**

Dec. 3, 2014 (KR) 30-2014-0058680

(51) **LOC (10) Cl.** **15-05**

(52) **U.S. Cl.**
USPC **D32/32**

(58) **Field of Classification Search**
USPC D32/25, 31-33
CPC A47L 9/02; A47L 9/06; A47L 5/28;
A47L 5/24; A47L 11/4044; E04H 4/1654;
E04H 4/34
See application file for complete search history.

(56) **References Cited**

U.S. PATENT DOCUMENTS

D457,696 S * 5/2002 Worwag D32/32
D460,231 S * 7/2002 Bagwell D32/32

D518,932 S * 4/2006 Maruyama D32/32
D564,720 S * 3/2008 Dyson D32/32
D643,168 S * 8/2011 Dyson D32/32
D649,725 S * 11/2011 Fjellman D32/32
D672,103 S * 12/2012 Dyson D32/32
D680,699 S * 4/2013 Okabe D32/33
D741,559 S * 10/2015 Marsden D32/32
2007/0089263 A1 * 4/2007 Song A47L 9/0081
15/415.1
2009/0049642 A1 * 2/2009 Oh A47L 9/06
15/332

* cited by examiner

Primary Examiner — Ruth McInroy

(74) *Attorney, Agent, or Firm* — Ladas & Parry LLP

(57) **CLAIM**

We claim the ornamental design for the brush for vacuum cleaner, as shown and described.

DESCRIPTION

FIG. 1 is the front perspective view of the brush for vacuum cleaner showing our new design;
FIG. 2 is the front view thereof;
FIG. 3 is the rear view thereof;
FIG. 4 is the left-side view thereof;
FIG. 5 is the right-side view thereof;
FIG. 6 is the top plan view thereof;
FIG. 7 is the bottom plan view thereof, and,
FIG. 8 is another front perspective view thereof, as shown in an alternate configuration.
The broken lines in the drawing show unclaimed environment only and form no part of the claimed design.

1 Claim, 8 Drawing Sheets

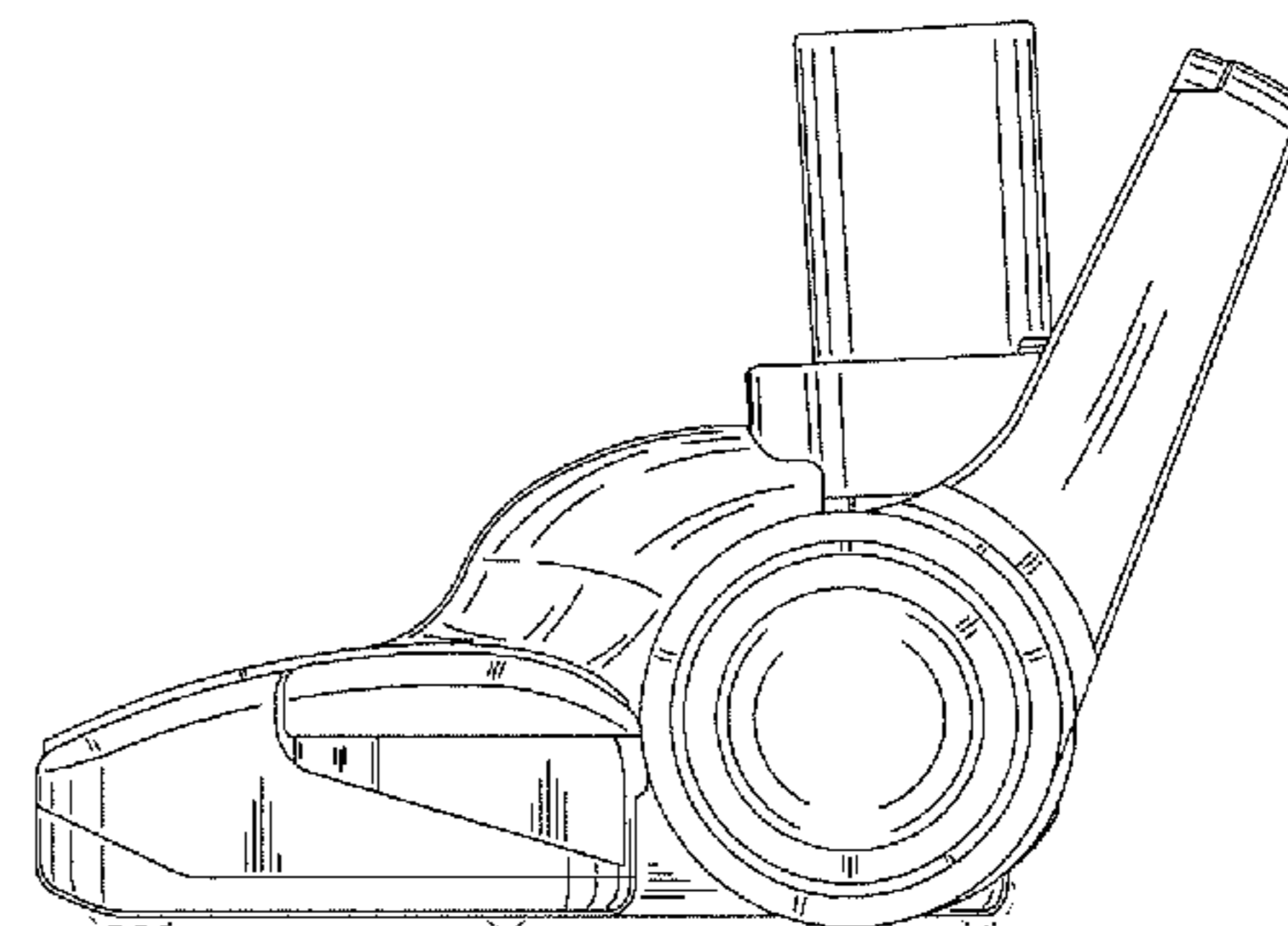
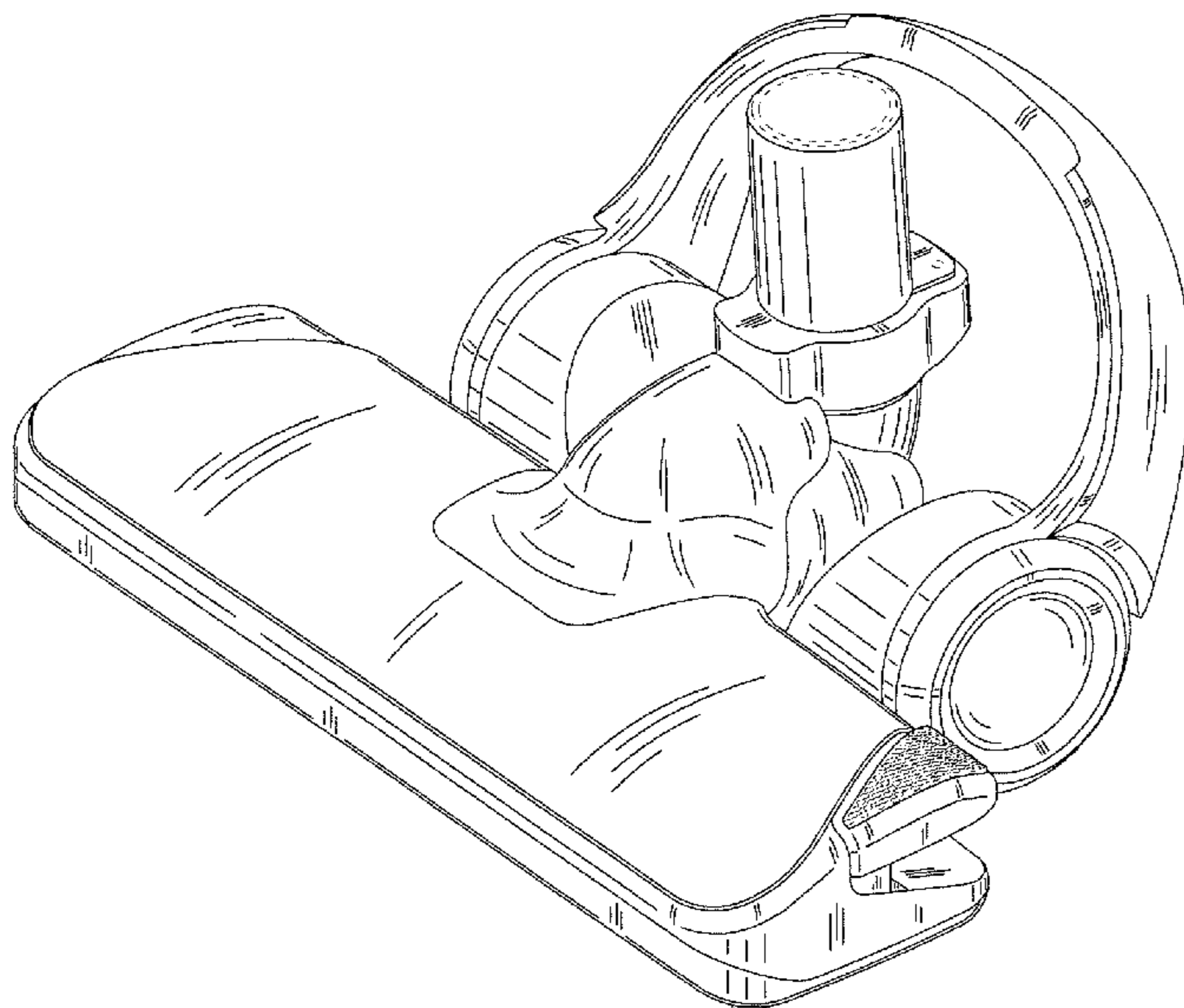


FIG.1

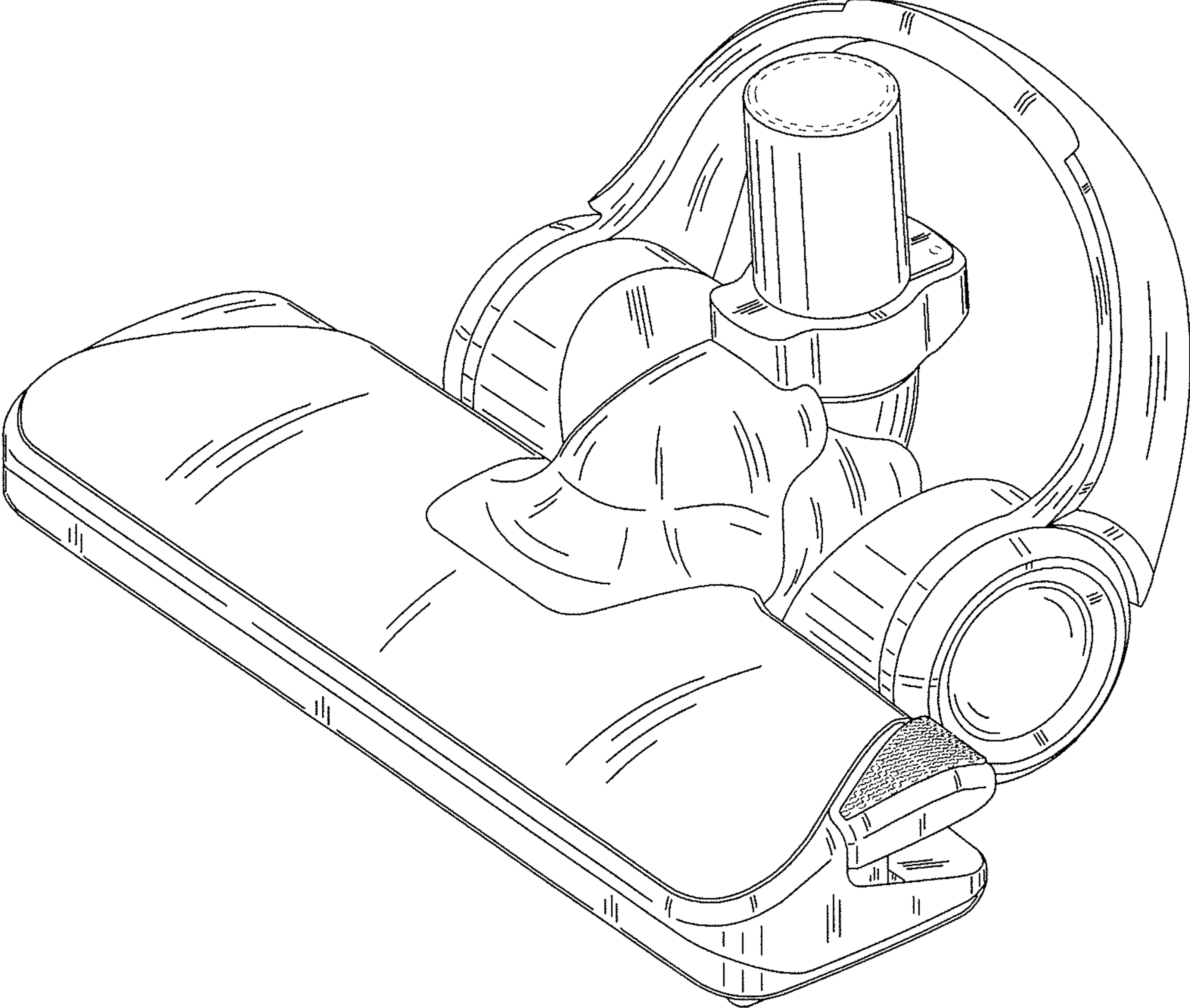


FIG.2

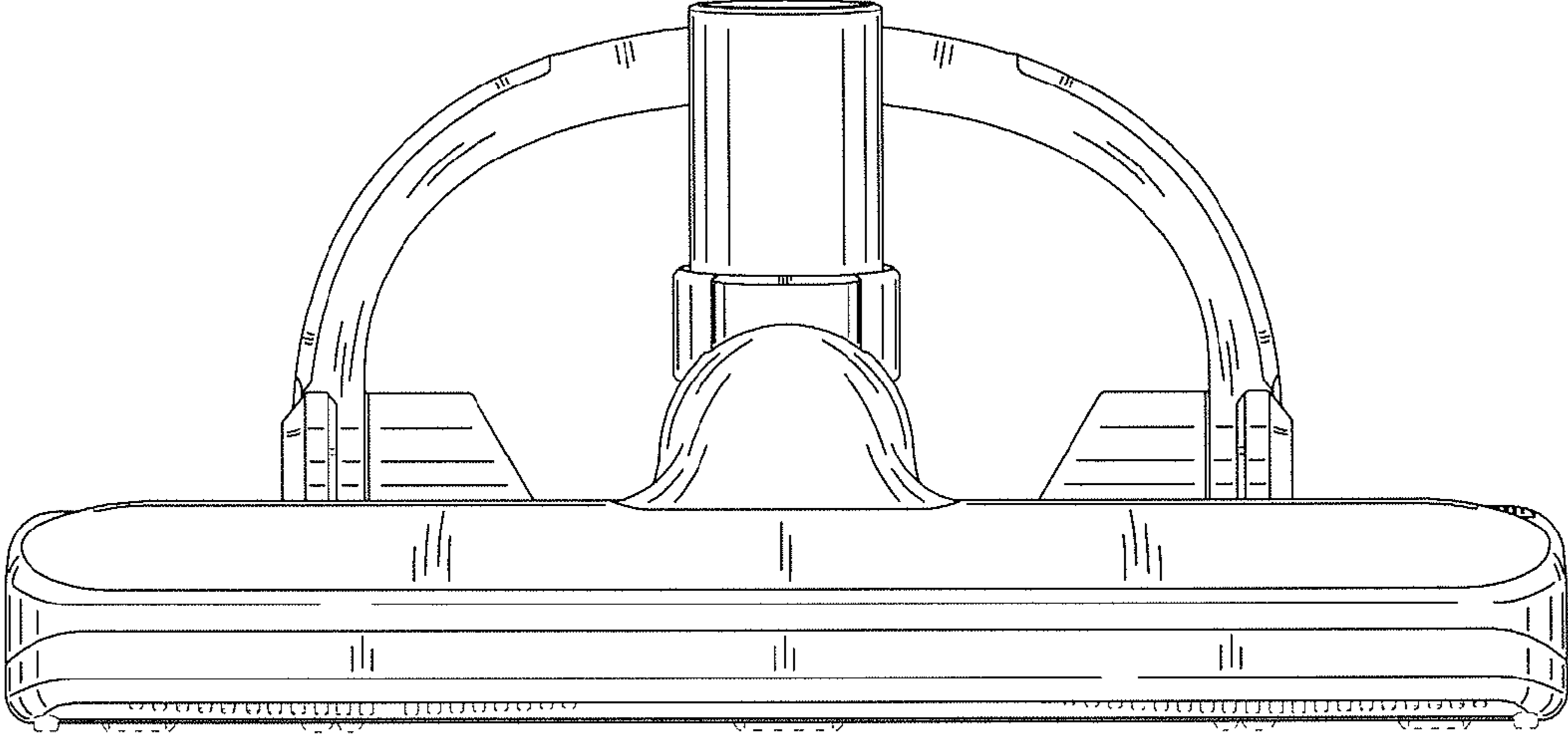


FIG.3

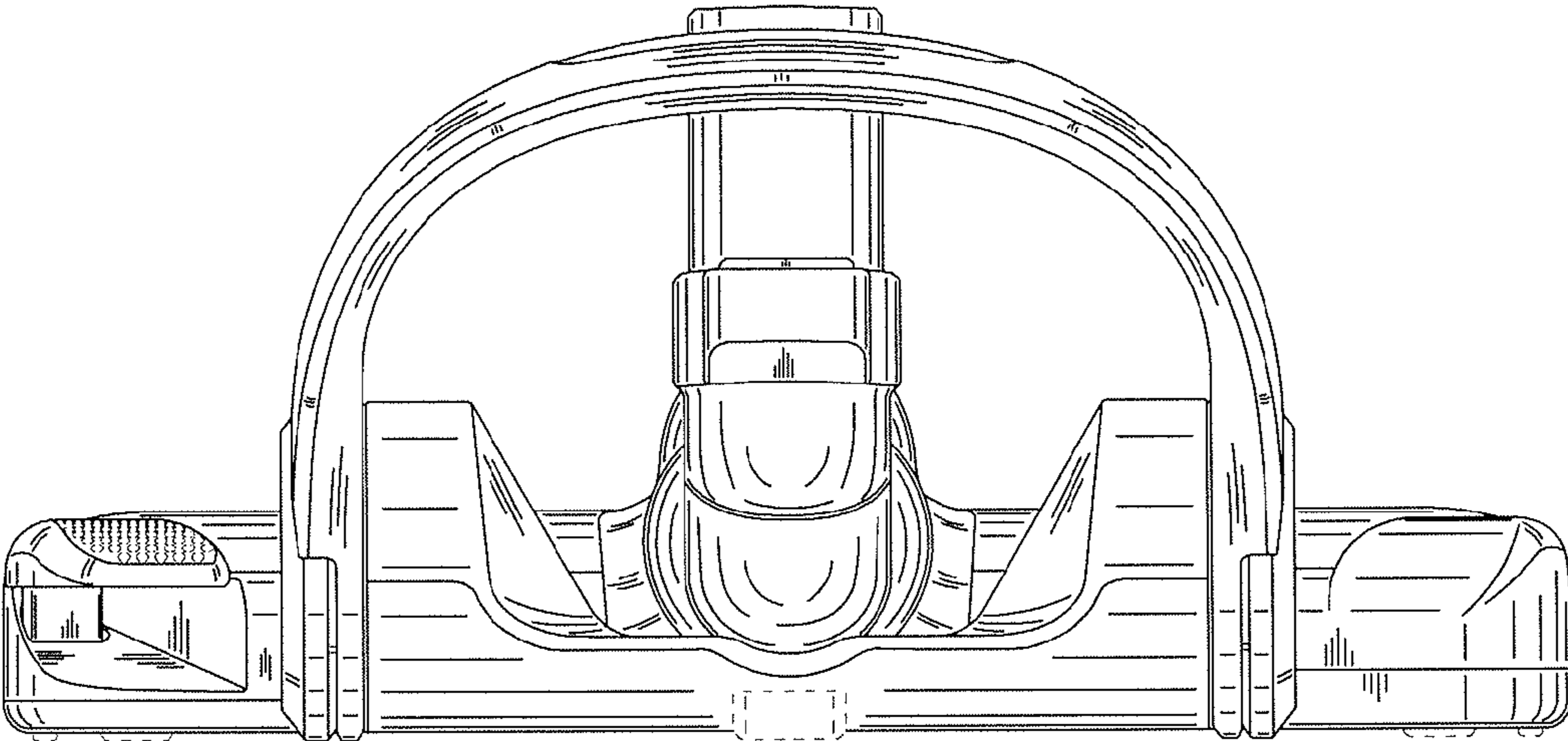


FIG.4

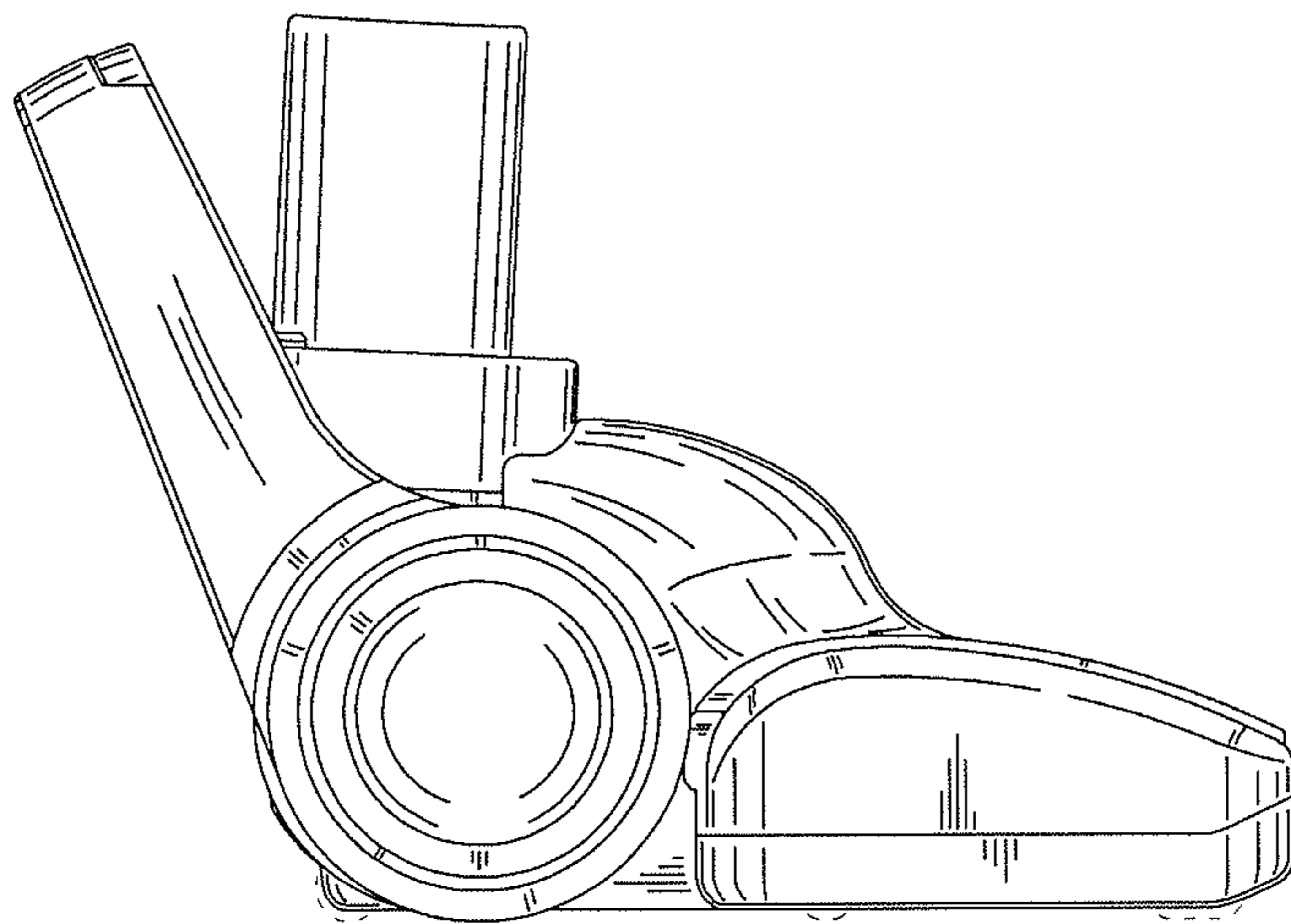


FIG.5

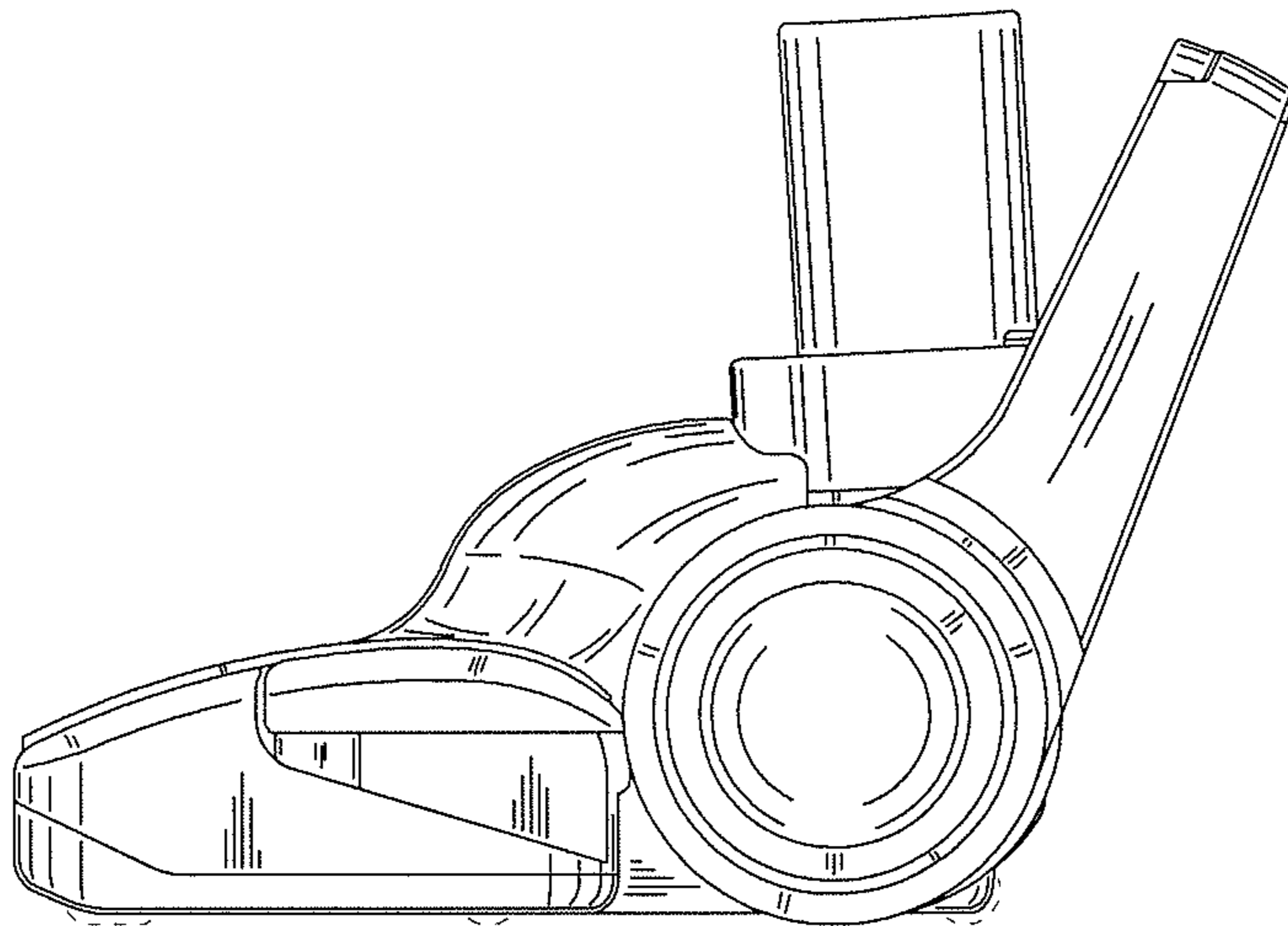


FIG.6

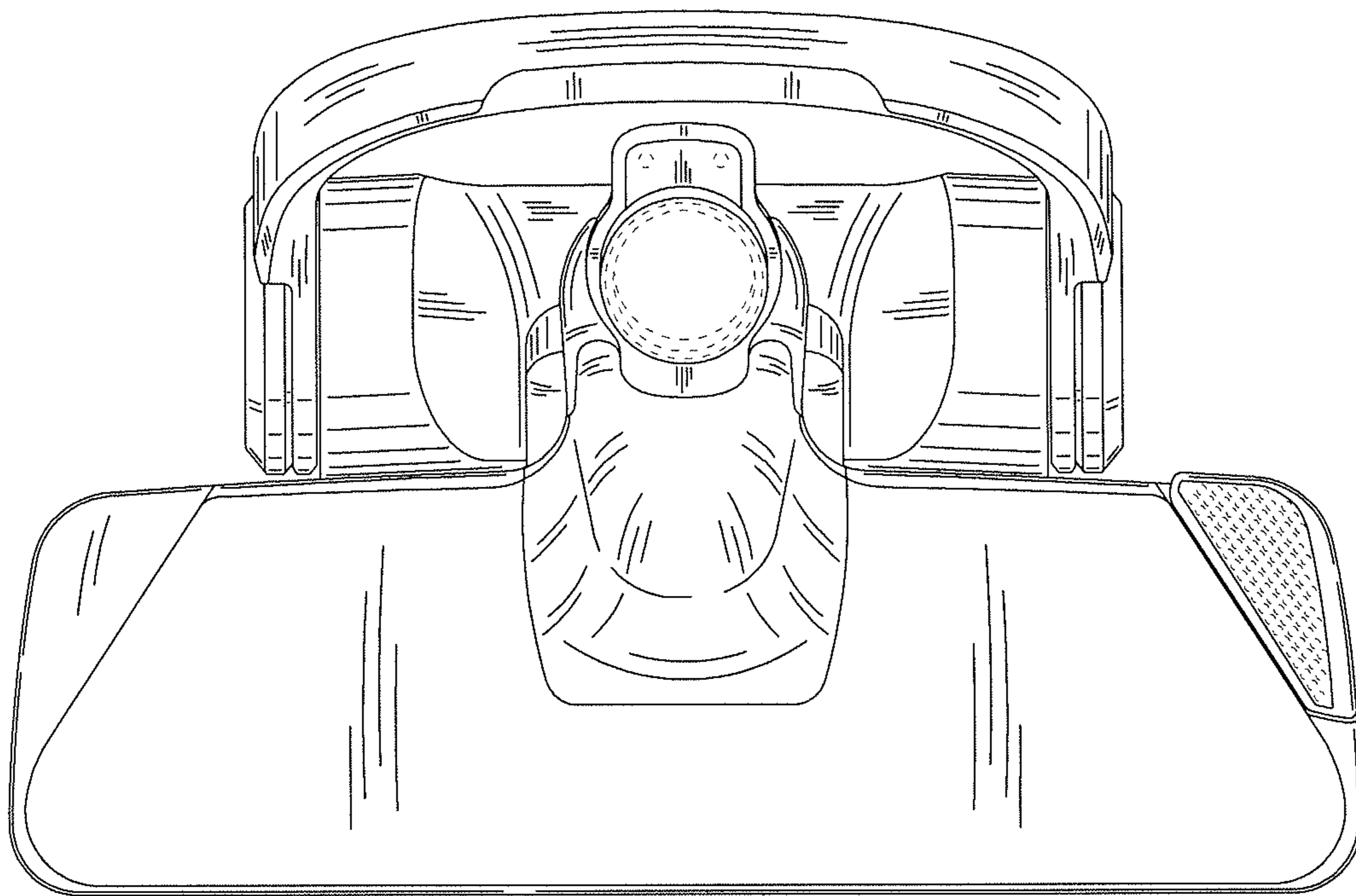


FIG.7

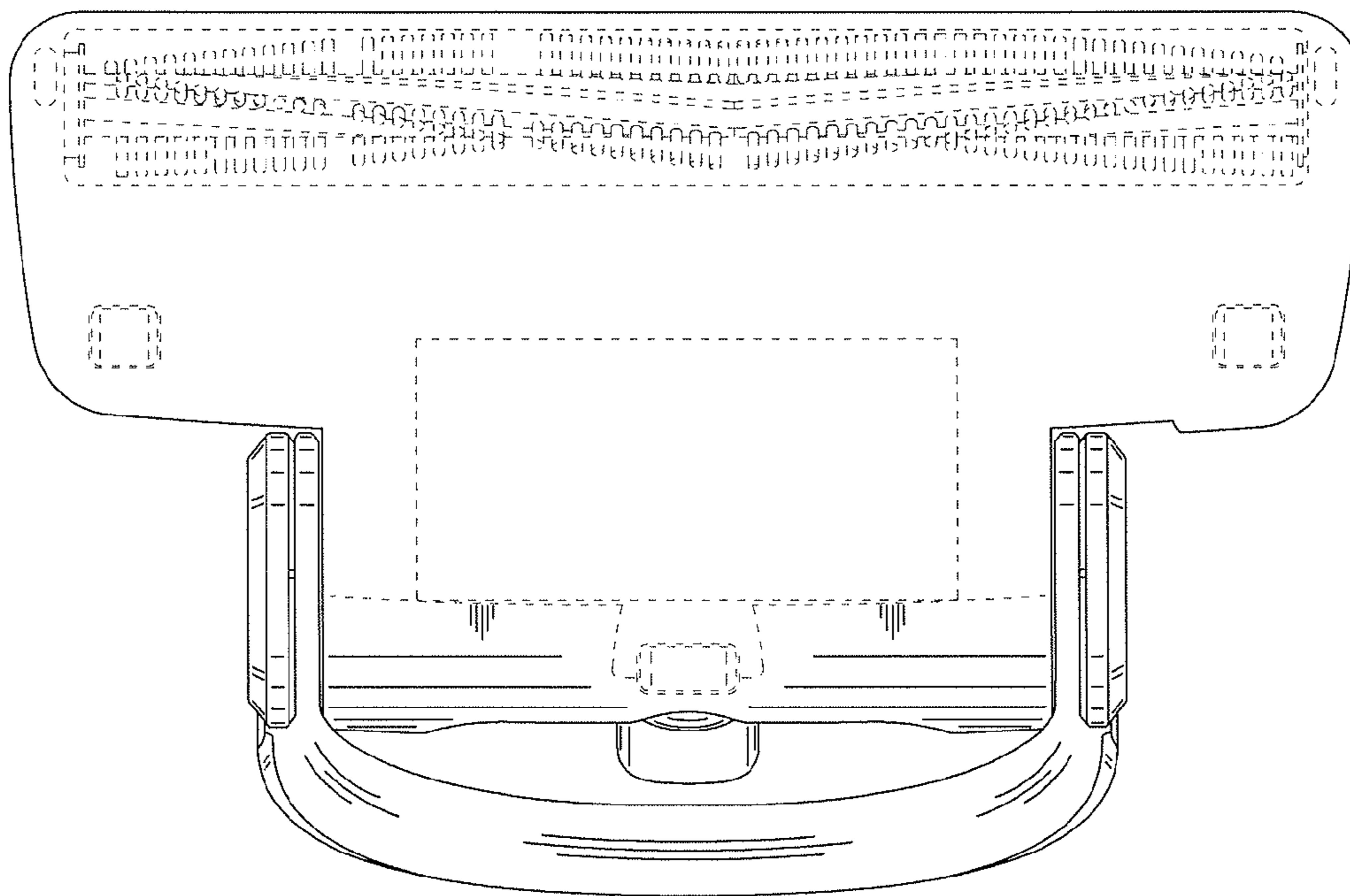


FIG.8

