



US00D769557S

(12) **United States Design Patent**
Johnson

(10) **Patent No.:** **US D769,557 S**

(45) **Date of Patent:** **** Oct. 18, 2016**

(54) **VACUUM CLEANER**

(71) Applicant: **Owen R. Johnson**, Needham, MA (US)

(72) Inventor: **Owen R. Johnson**, Needham, MA (US)

(73) Assignee: **SharkNinja Operating LLC**, Newton, MA (US)

(**) Term: **15 Years**

(21) Appl. No.: **29/526,986**

(22) Filed: **May 14, 2015**

(51) **LOC (10) Cl.** **15-05**

(52) **U.S. Cl.**

USPC **D32/22**

(58) **Field of Classification Search**

USPC D32/17-18, 21-24, 31, 34, 40, 42, D32/49-52

CPC A47L 5/28; A47L 5/32; A47L 5/362; A47L 5/365; A47L 5/24; A47L 5/34; A47L 7/0038; A47L 9/26; A47L 9/2857; A47L 9/20; A47L 9/02; A47L 9/322; A47L 9/325; A47L 11/34; A47L 11/40; A47L 11/4044; A47L 11/20; A47L 11/146

See application file for complete search history.

(56) **References Cited**

U.S. PATENT DOCUMENTS

6,012,200	A	1/2000	Murphy et al.	
6,226,832	B1	5/2001	McCormick	
D510,465	S *	10/2005	Takahashi	D32/22
7,200,893	B2	4/2007	Gerber et al.	
D553,313	S *	10/2007	Parr	D32/22
7,329,294	B2	2/2008	Conrad	

D587,870	S *	3/2009	Baek	D32/22
D610,317	S *	2/2010	Lee	D32/22
D610,318	S *	2/2010	Shin	D32/22
7,690,079	B2	4/2010	Boddy et al.	
D633,264	S *	2/2011	Lee	D32/22
D652,589	S *	1/2012	Lee	D32/22
D662,271	S *	6/2012	Conrad	D32/31
D662,272	S *	6/2012	Conrad	D32/31
D670,878	S *	11/2012	Lee	D32/22
8,402,601	B2	3/2013	Fahlstrom	
D686,377	S *	7/2013	Thorne	D32/31
D695,980	S *	12/2013	Thorne	D32/22

(Continued)

FOREIGN PATENT DOCUMENTS

JP	H10201682	A	8/1998
WO	2014131106	A1	9/2014

Primary Examiner — Ruth McInroy

(74) *Attorney, Agent, or Firm* — Grossman Tucker Perreault & Pflieger, PLLC

(57) **CLAIM**

The ornamental design for a vacuum cleaner, as shown and described.

DESCRIPTION

FIG. 1 is a perspective view of a vacuum cleaner showing my new design;

FIG. 2 is a front elevational view of FIG. 1;

FIG. 3 is a rear elevational view of FIG. 1;

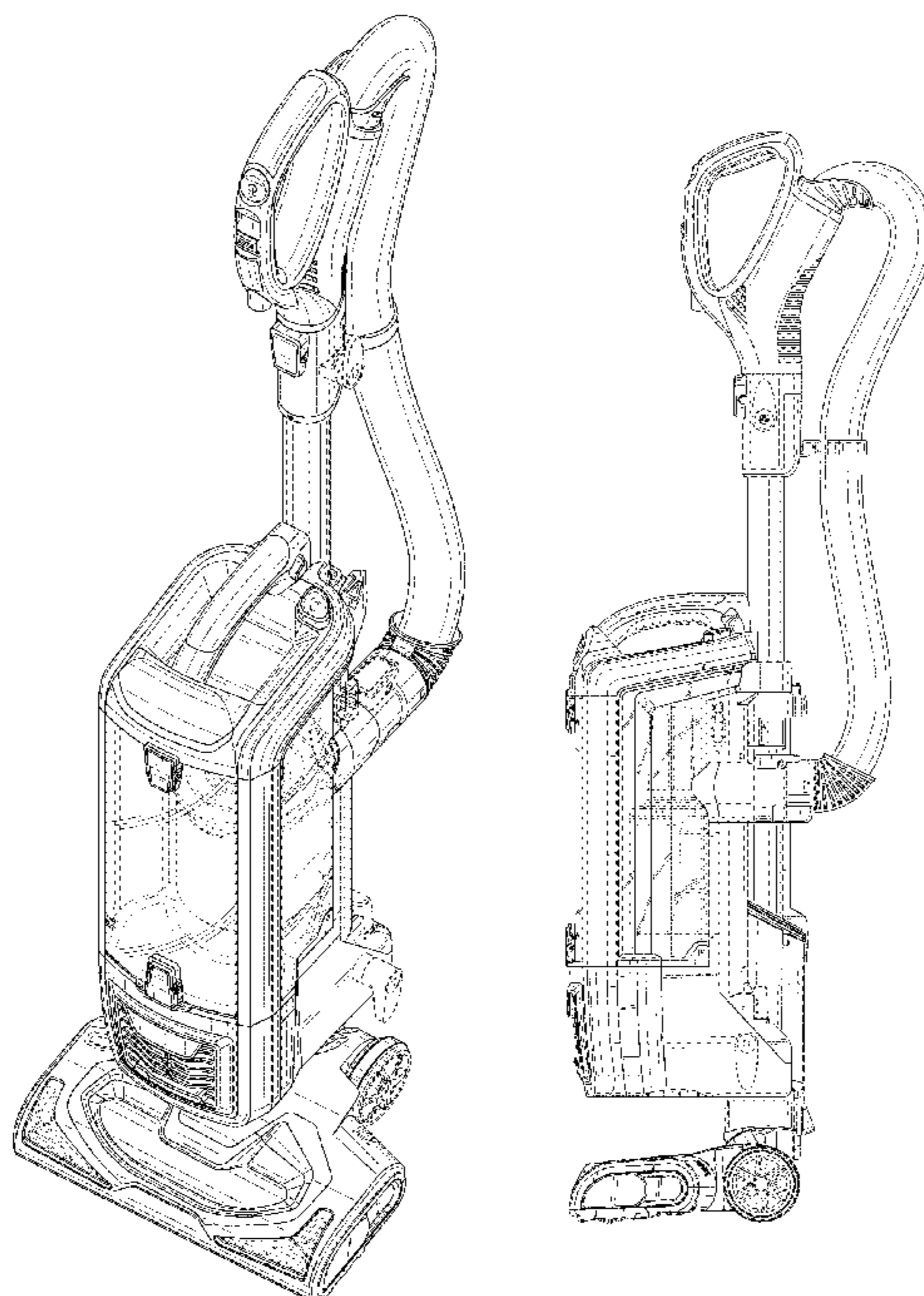
FIG. 4 is a left side elevational view of FIG. 1;

FIG. 5 is a right side elevational view of FIG. 1; and,

FIG. 6 is a top plan view of FIG. 1.

The broken lines in the drawings are for illustrative purposes only and form no part of the claimed design.

1 Claim, 6 Drawing Sheets



(56)

References Cited

U.S. PATENT DOCUMENTS

8,631,541 B2 1/2014 Tran
8,776,311 B2 7/2014 Genn et al.
D730,001 S * 5/2015 Yun D32/22
D735,426 S * 7/2015 Yun D32/22
D739,104 S * 9/2015 Johnson D32/31
D739,620 S * 9/2015 Johnson D32/22
D740,503 S * 10/2015 Tyler D32/22

D740,505 S * 10/2015 Gidwell D32/31
2009/0031522 A1* 2/2009 Yoo A47L 5/28
15/327.1
2011/0296648 A1 12/2011 Kah, Jr.
2014/0237755 A1* 8/2014 Conrad A47L 7/0095
15/329
2015/0351596 A1* 12/2015 Thorne A47L 5/28
15/332

* cited by examiner

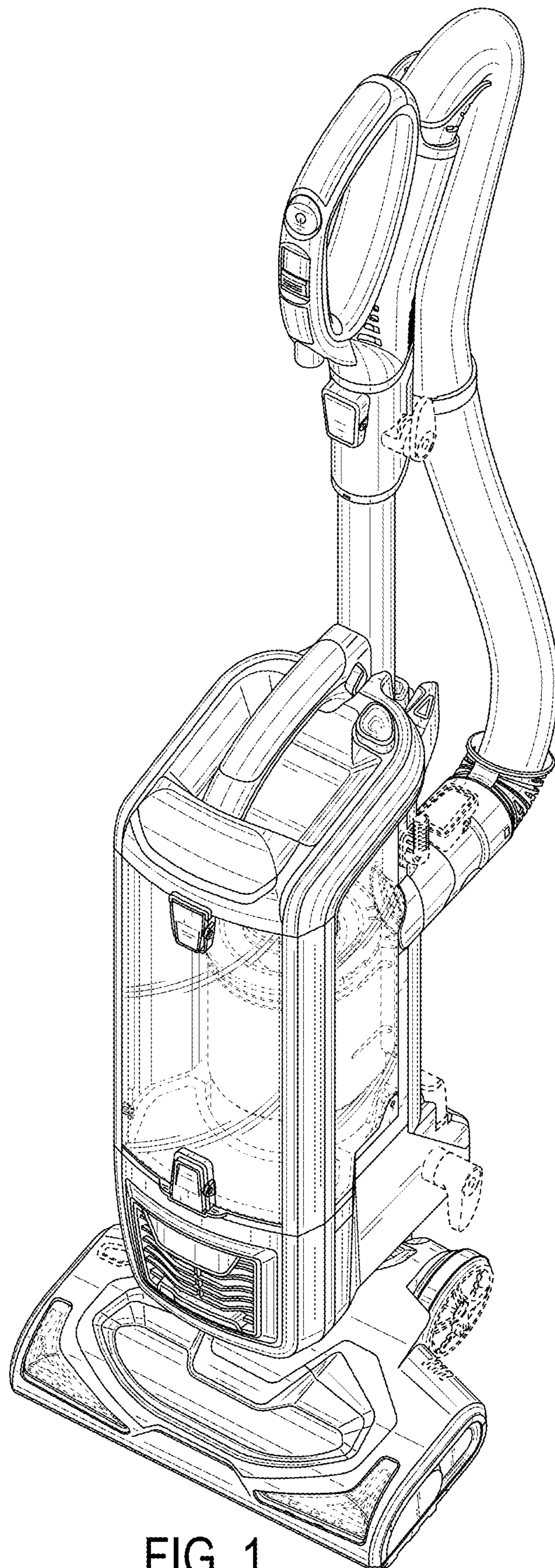


FIG. 1

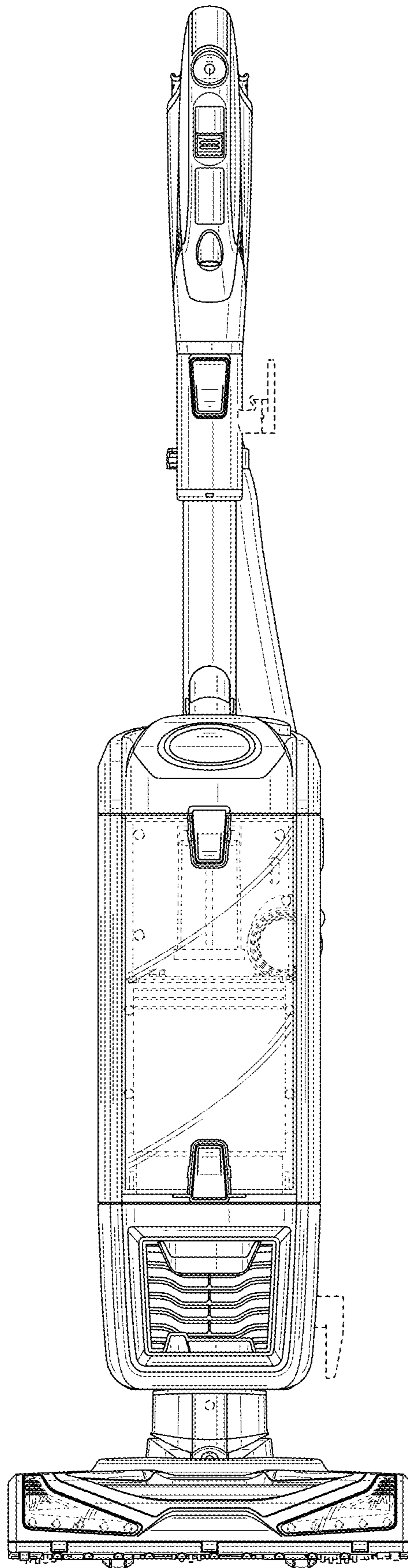


FIG. 2

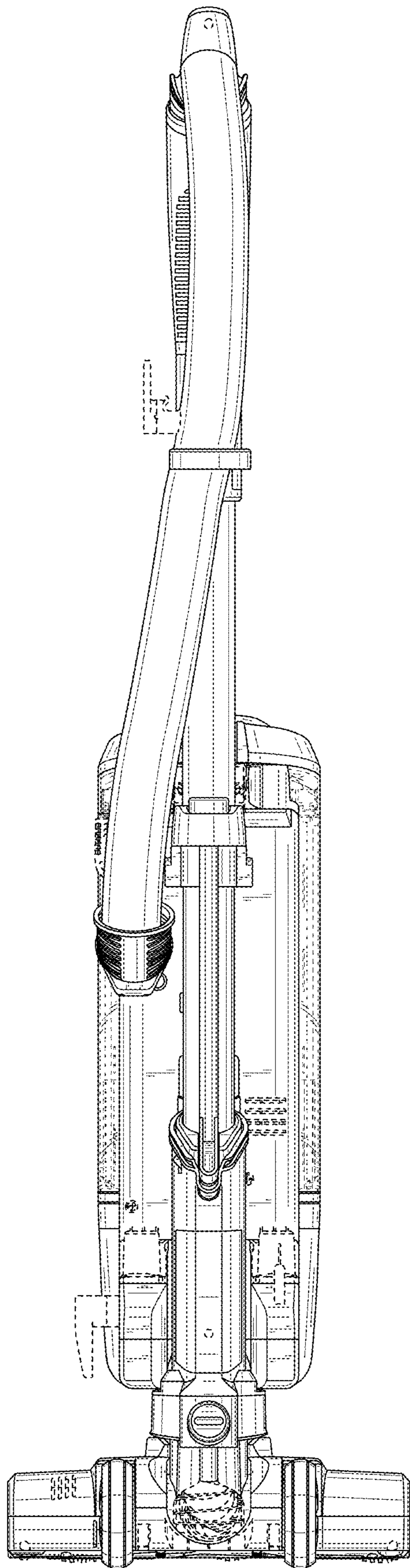


FIG. 3

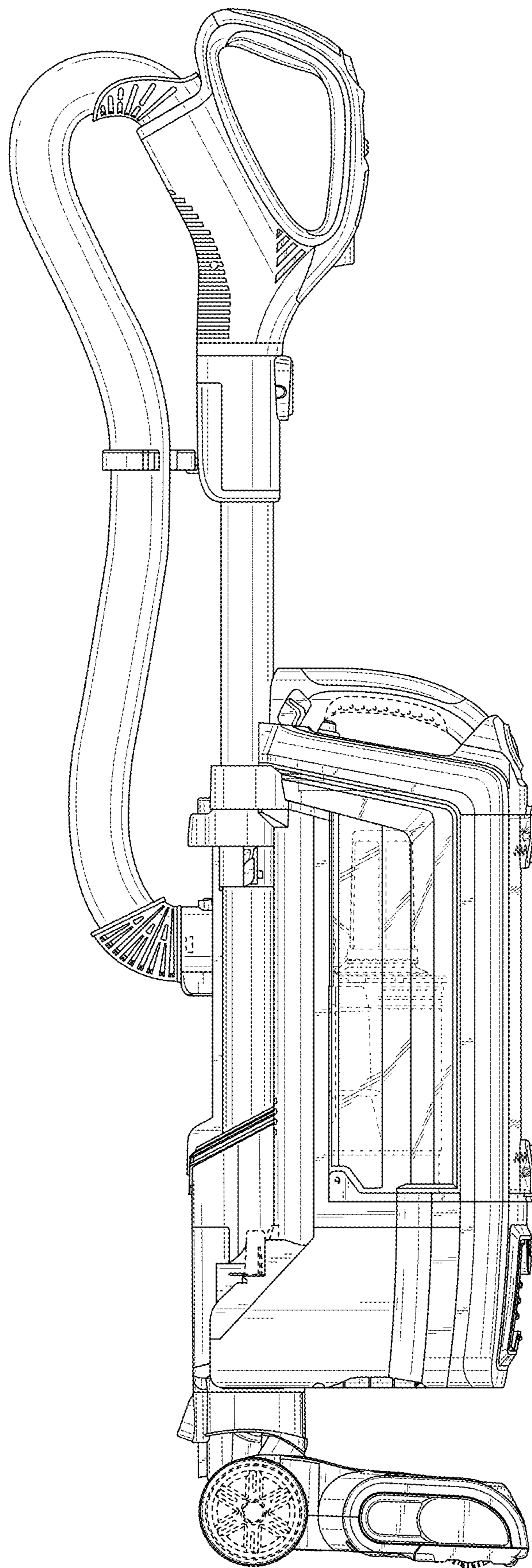


FIG. 4

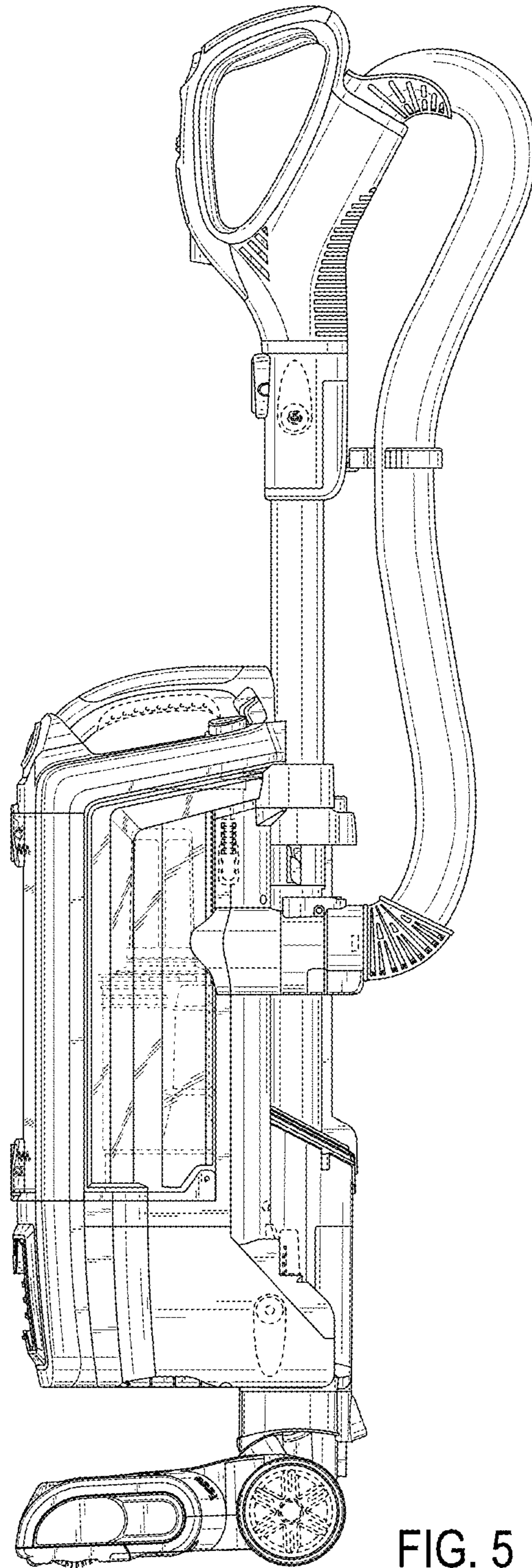


FIG. 5

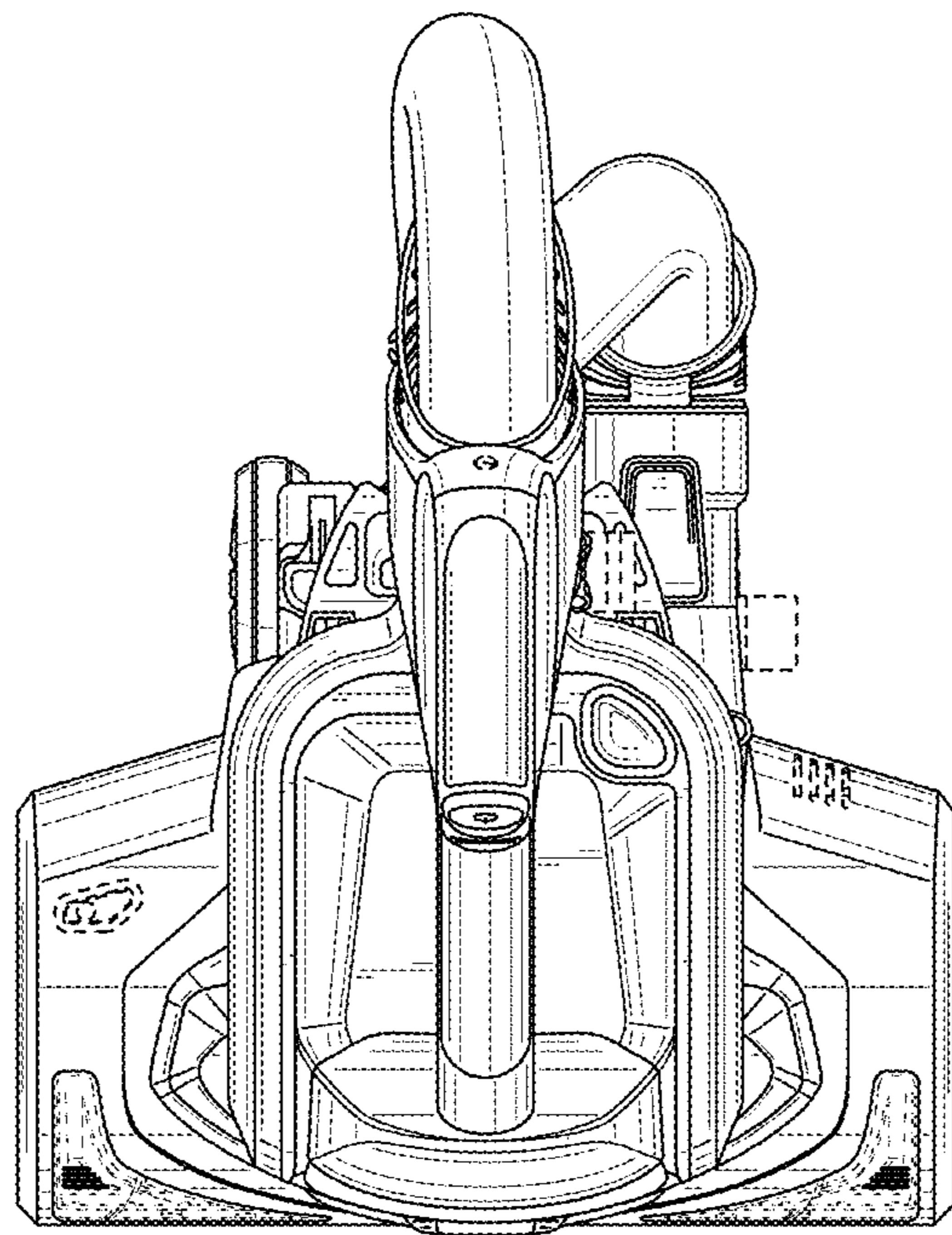


FIG. 6