

US00D769556S

(12) **United States Design Patent**
Kim et al.

(10) **Patent No.:** **US D769,556 S**

(45) **Date of Patent:** **** Oct. 18, 2016**

(54) **CLEANER**

(71) Applicant: **Samsung Electronics Co., Ltd.**,
Suwon-si, Gyeonggi-do (KR)

(72) Inventors: **Kyung-Tae Kim**, Seoul (KR); **Sara Petrucci**, Clavesana (IT); **Chris Bangle**, Clavesana (IT)

(73) Assignee: **SAMSUNG ELECTRONICS CO., LTD.** (KR)

(**) Term: **14 Years**

(21) Appl. No.: **29/496,403**

(22) Filed: **Jul. 11, 2014**

(51) **LOC (10) Cl.** **15-05**

(52) **U.S. Cl.**
USPC **D32/22**

(58) **Field of Classification Search**
USPC D32/17-18, 21-24, 31, 34, 40, 42,
D32/49-52
CPC A47L 5/28; A47L 5/32; A47L 5/362;
A47L 5/365; A47L 5/24; A47L 5/34; A47L
7/0038; A47L 9/26; A47L 9/2857; A47L
9/20; A47L 9/02; A47L 9/322; A47L 9/325;
A47L 11/34; A47L 11/40; A47L 11/4044;
A47L 11/20; A47L 11/146
See application file for complete search history.

(56) **References Cited**

U.S. PATENT DOCUMENTS

D368,993 S * 4/1996 Stutzer D32/21
D498,887 S * 11/2004 Kent D32/22

D518,254 S * 3/2006 Stratford D32/21
D518,255 S * 3/2006 Stratford D32/21
D536,848 S * 2/2007 Shin D32/18
D541,996 S * 5/2007 Crevling, Jr. D32/22
D562,510 S * 2/2008 Hahn D32/22
2006/0137128 A1* 6/2006 Elsworthy A47L 5/362
15/323

* cited by examiner

Primary Examiner — Ruth McInroy

(74) *Attorney, Agent, or Firm* — Cantor Colburn LLP

(57) **CLAIM**

We claim, the ornamental design for a cleaner, as shown and described.

DESCRIPTION

FIG. 1 is a perspective view of a cleaner, showing our new design;
FIG. 2 is a front view thereof;
FIG. 3 is a rear view thereof;
FIG. 4 is a side view thereof;
FIG. 5 is another side view thereof;
FIG. 6 is a top view thereof;
FIG. 7 is a bottom view thereof;
FIG. 8 is a rear perspective view thereof; and,
FIG. 9 is a perspective view thereof in an alternate position.
The broken lines are for environmental purpose only and form no part of the claimed design.

1 Claim, 9 Drawing Sheets

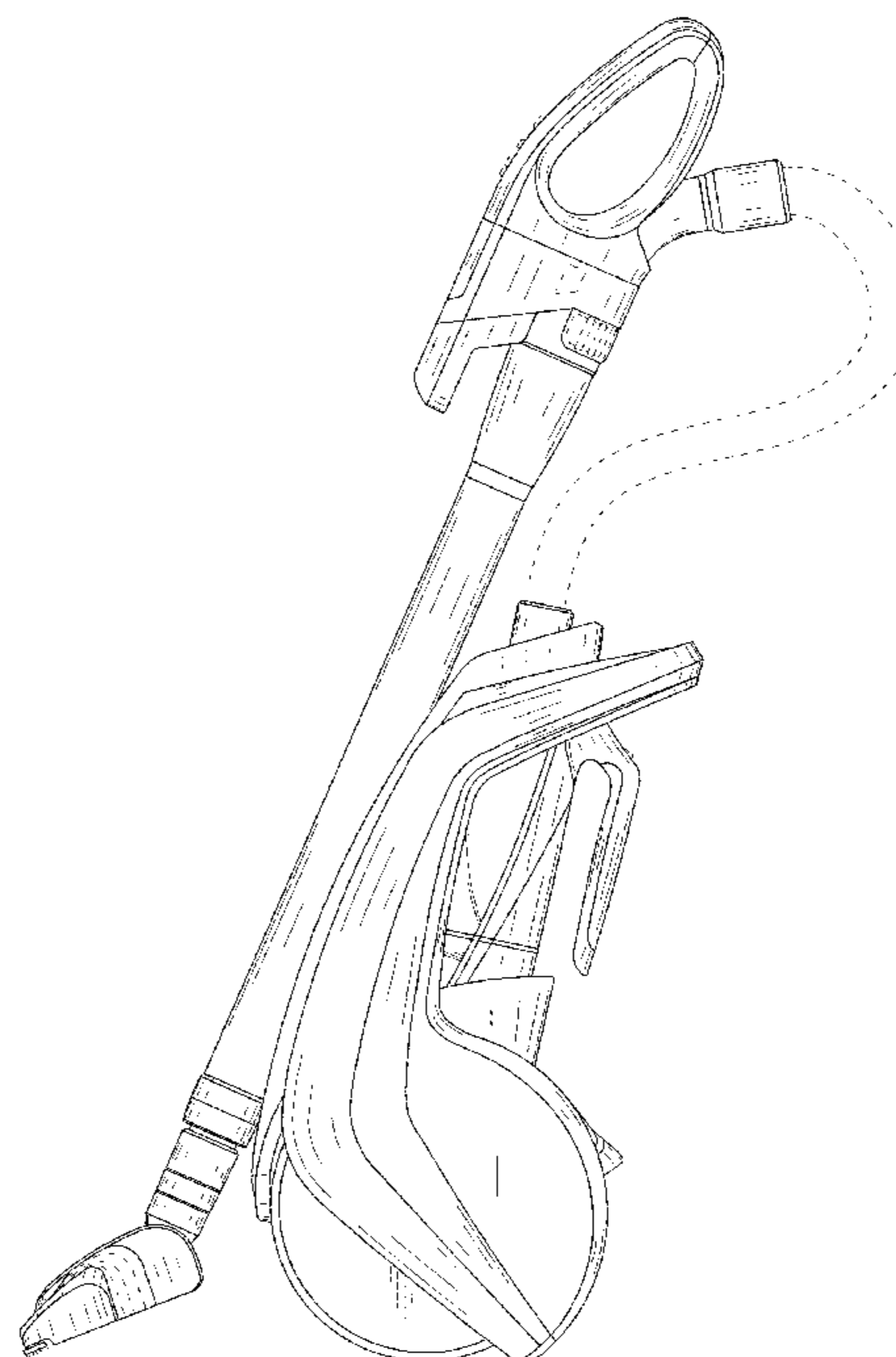
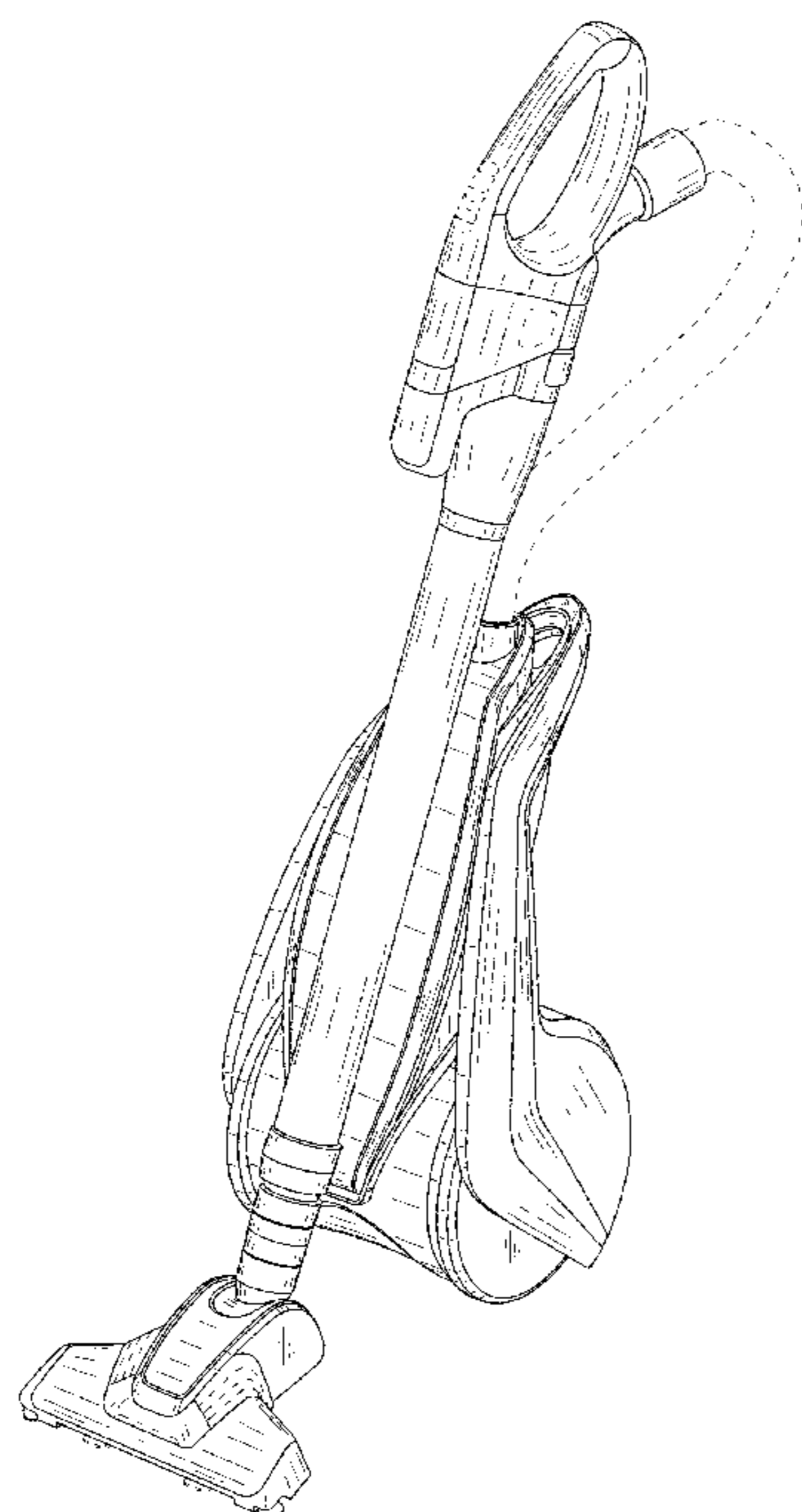


FIG. 1

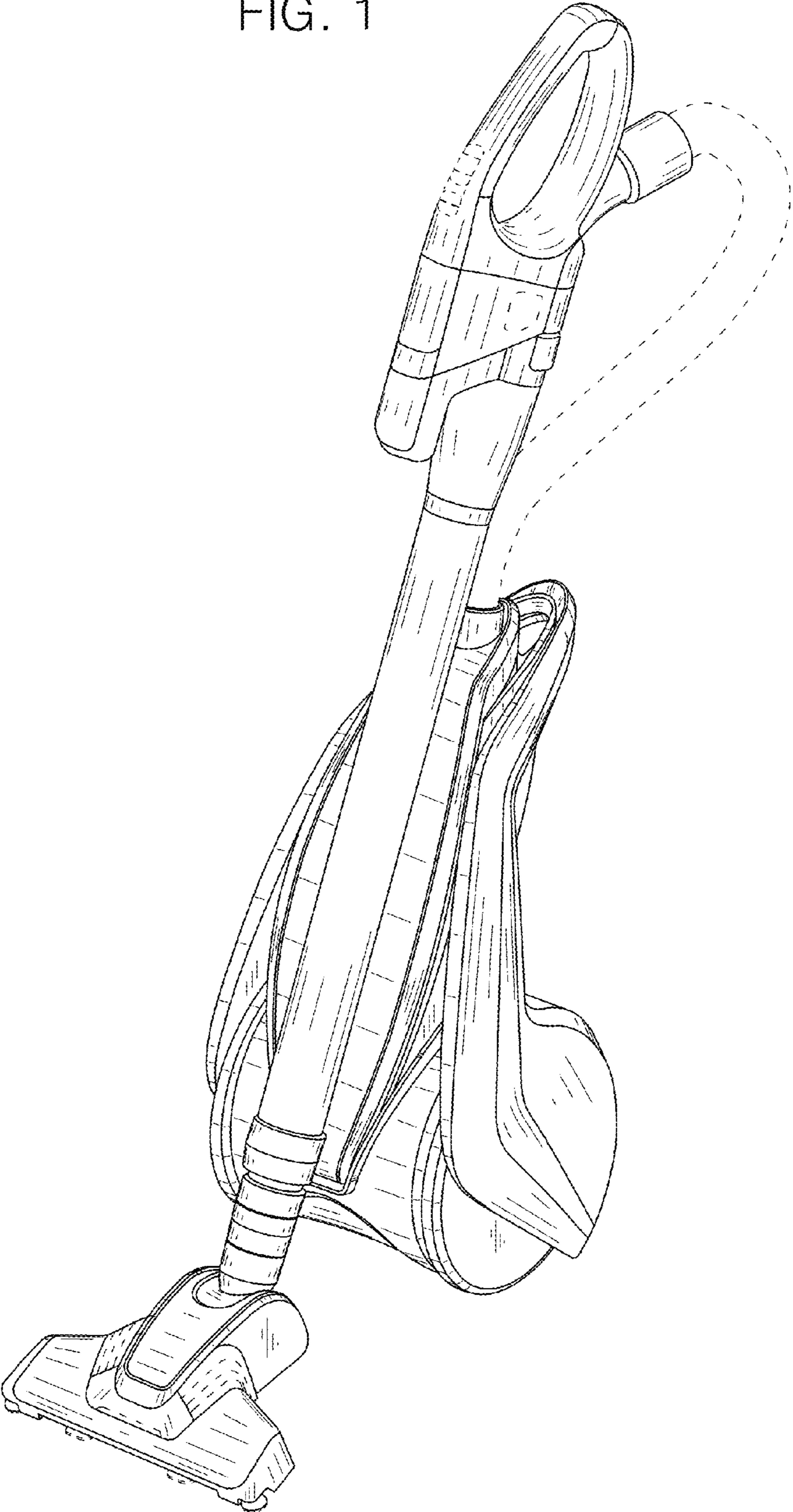


FIG. 2

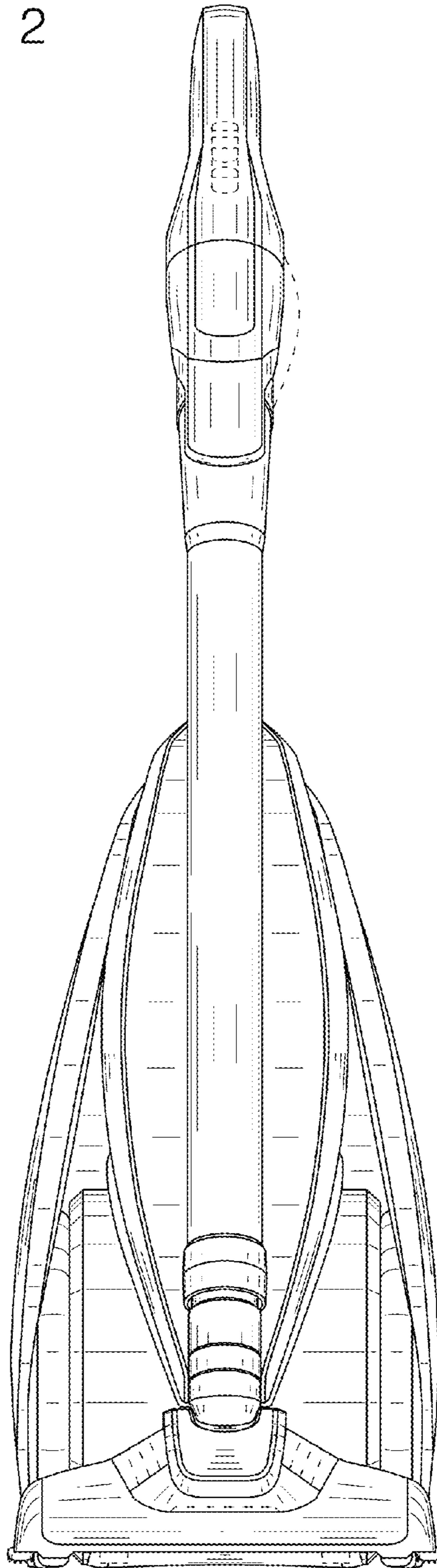


FIG. 3

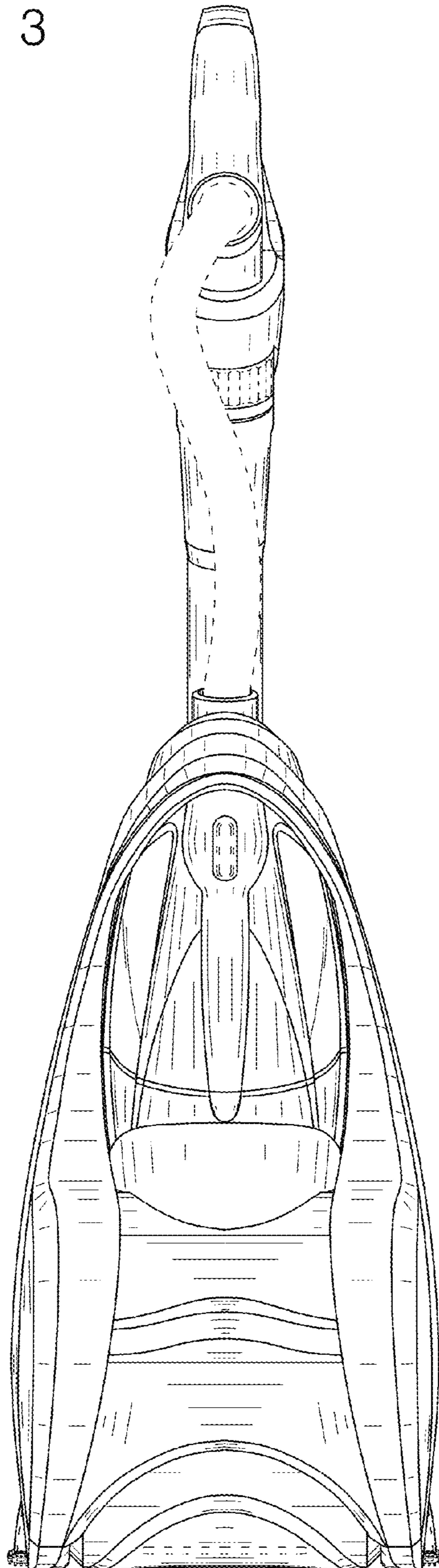


FIG. 4

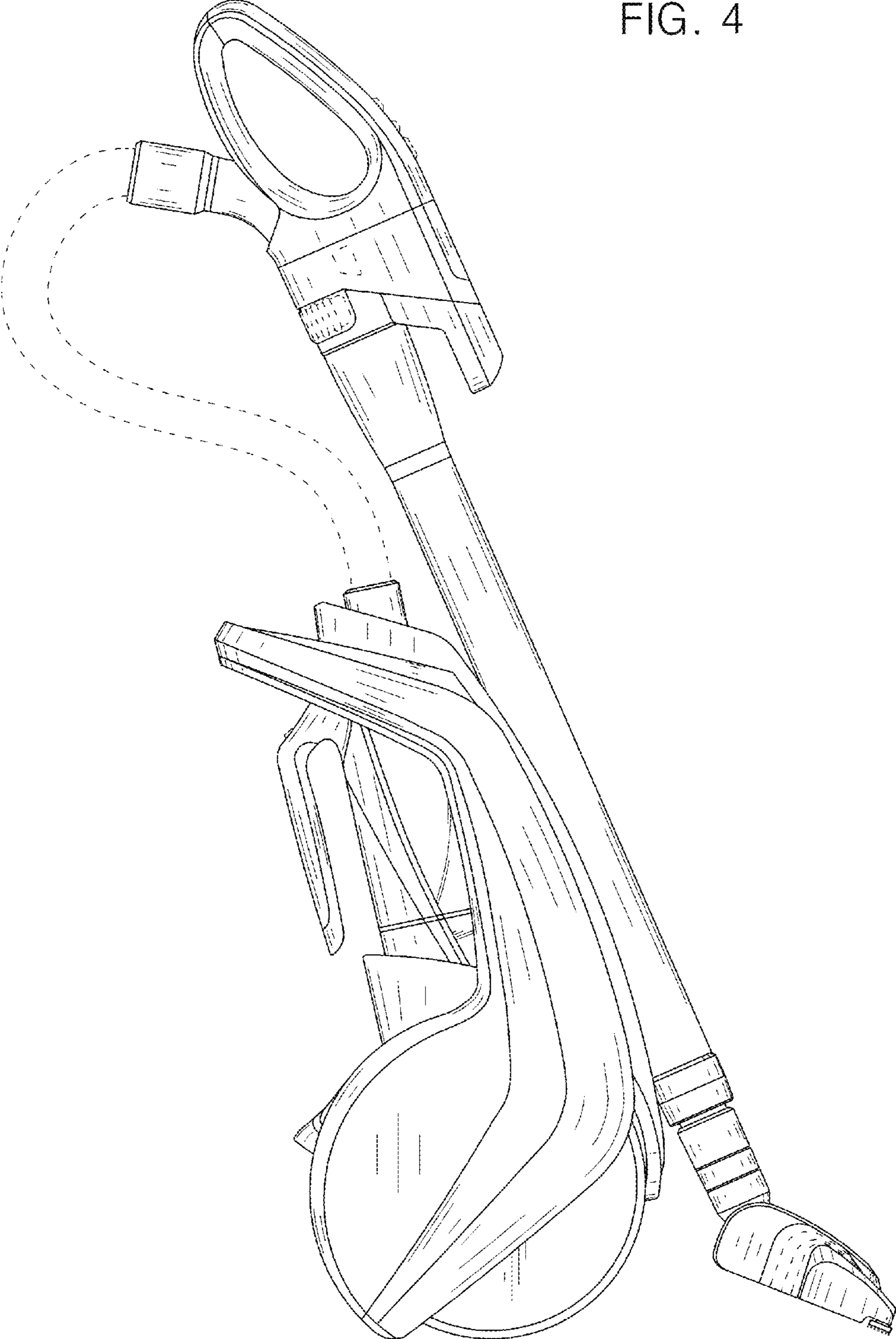


FIG. 5

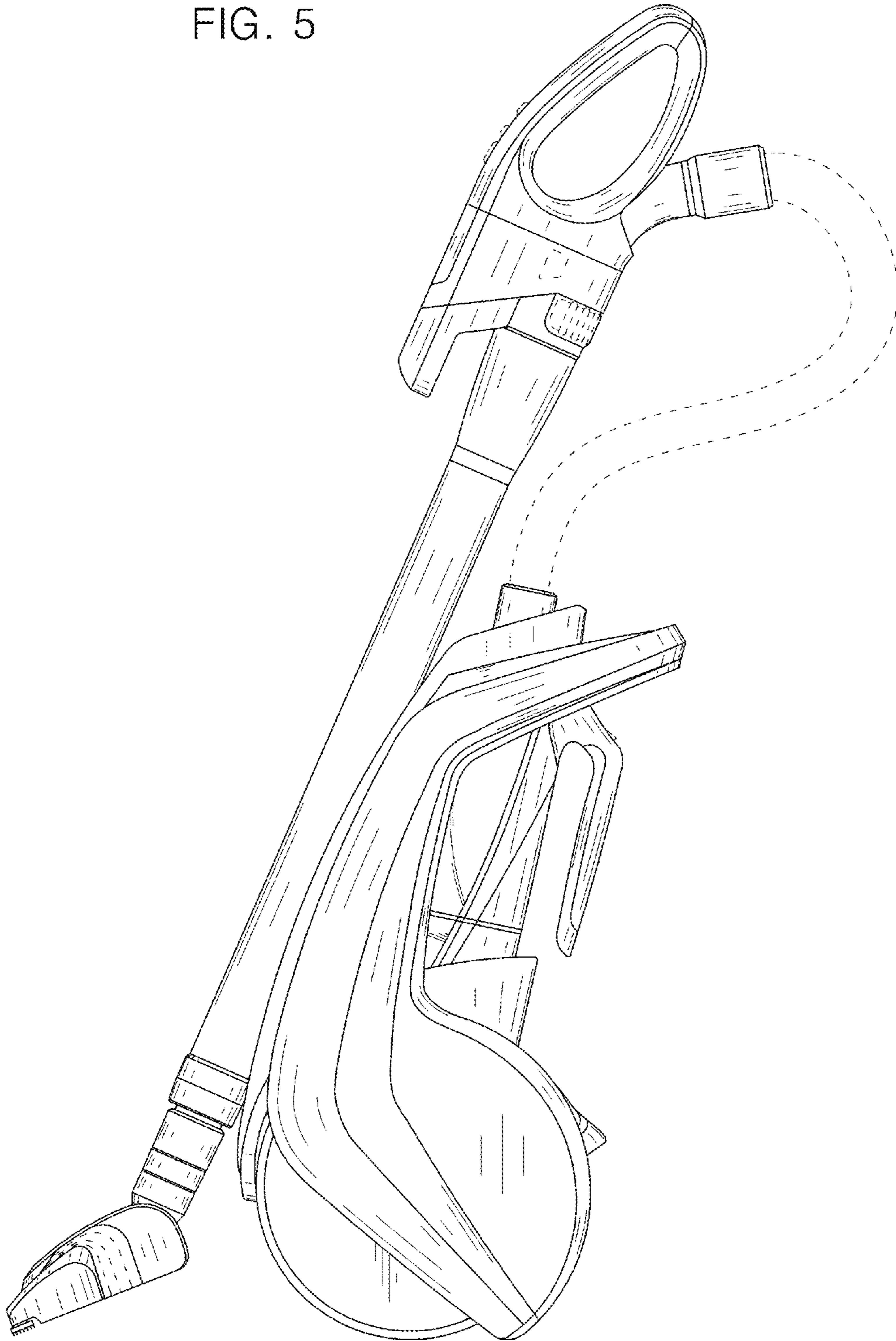


FIG. 6

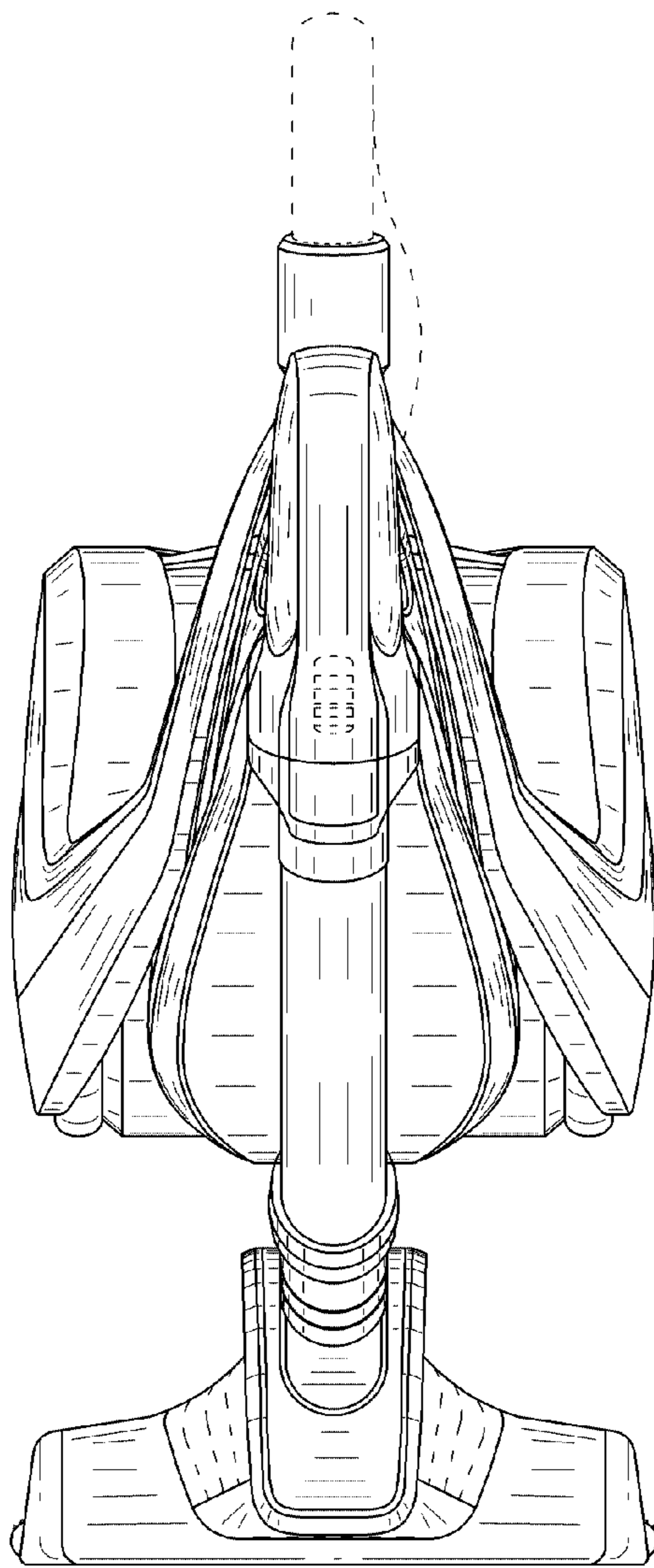


FIG. 7

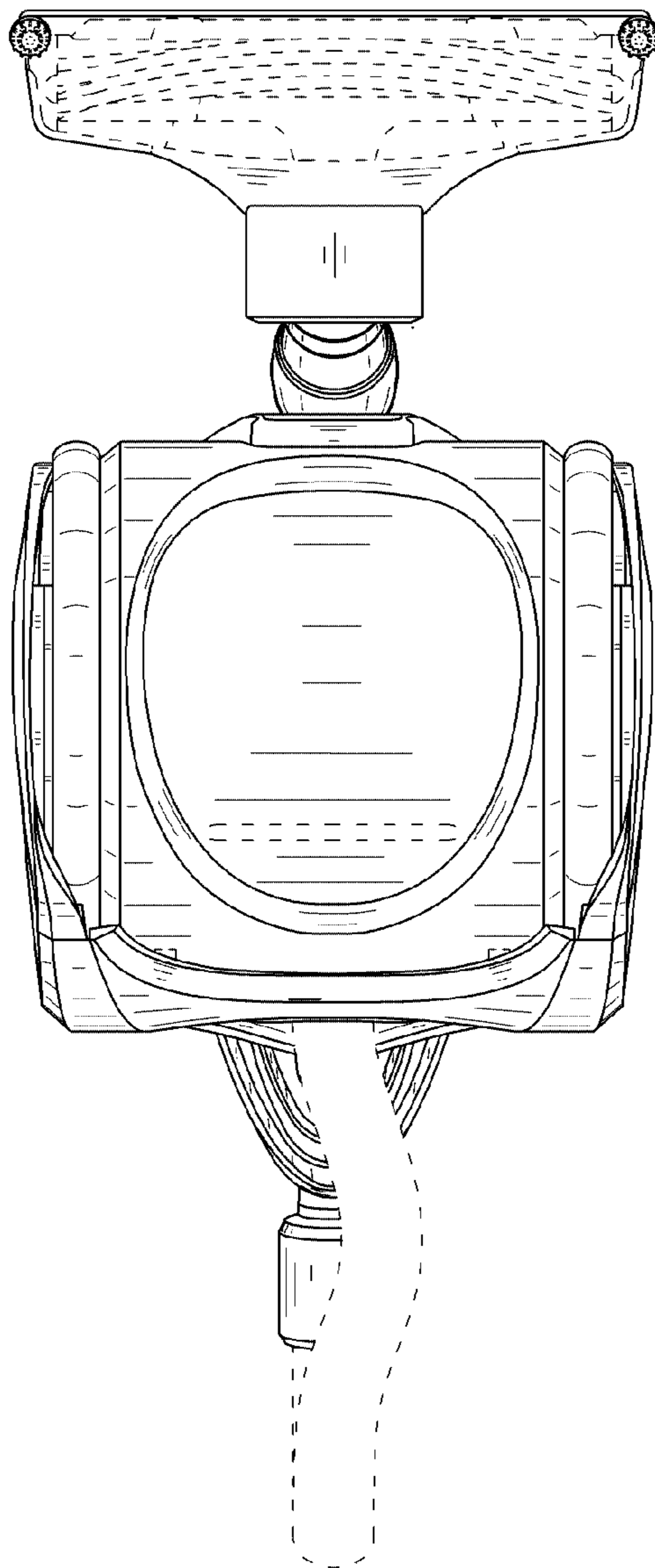


FIG. 8

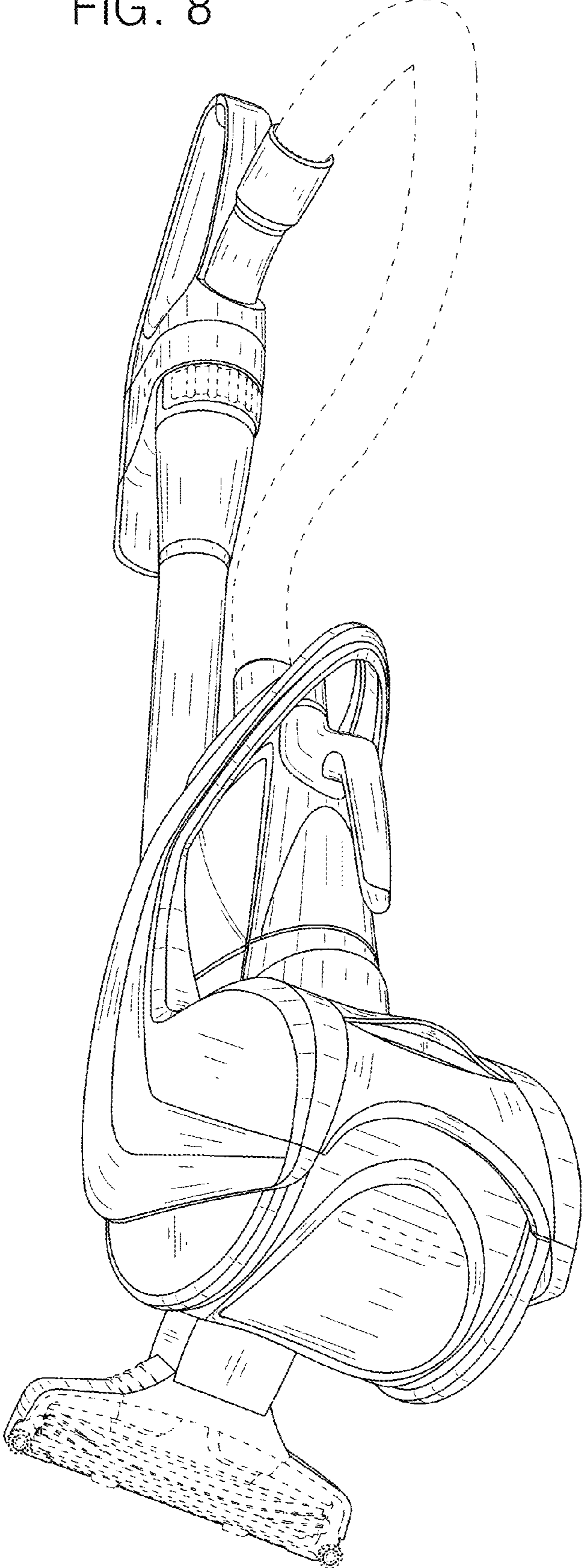


FIG. 9

