



US00D769550S

(12) **United States Design Patent**
Oxboel et al.

(10) **Patent No.:** **US D769,550 S**
(45) **Date of Patent:** **** Oct. 18, 2016**

- (54) **DOG SHOWER**
- (71) Applicants: **Kirsten E. Oxboel**, Greenfield, MA (US); **James N. Lobley**, Greenfield, MA (US)
- (72) Inventors: **Kirsten E. Oxboel**, Greenfield, MA (US); **James N. Lobley**, Greenfield, MA (US)
- (**) Term: **14 Years**
- (21) Appl. No.: **29/516,437**
- (22) Filed: **Feb. 2, 2015**
- (51) **LOC (10) Cl.** **30-99**
- (52) **U.S. Cl.**
USPC **D30/158**; D30/199
- (58) **Field of Classification Search**
USPC D30/158, 199, 151; 43/1, 2; 135/901; 280/47.3, 30, 47.18, 7.12, 8, 47.29, 280/652, 40, 47.24, 655, 653, 9.4, 47.315, 280/640, 43.1, 47.25; D22/199; 297/129, 297/16.2; D34/24, 16, 12; 5/626, 627, 600, 5/93.1, 97; 452/194, 185; 119/671, 676, 119/675, 673, 677, 603, 606, 665; D23/277-279, 280.2, 280.4; 4/572.1, 4/546, 554, 641, 555, 573.1, 567, 539; 239/307
CPC A01K 13/001; A61D 11/00
See application file for complete search history.

- D382,725 S * 8/1997 Hahn D23/278
- 5,661,856 A * 9/1997 Kyte A47K 3/06
220/4.22
- 5,678,511 A * 10/1997 Day A61D 11/00
119/671
- 5,711,252 A * 1/1998 Brandolino A01K 13/001
119/498
- D400,655 S * 11/1998 Thompson D23/278
- 5,845,604 A * 12/1998 Cucchi A01K 13/001
119/673
- D598,078 S * 8/2009 Lutz D23/278
- 7,913,652 B1 * 3/2011 Lutz A01K 13/001
119/674
- 8,069,821 B1 * 12/2011 Green A01K 13/001
119/671
- 2007/0074674 A1 * 4/2007 Miller A01K 13/001
119/671
- 2011/0017147 A1 * 1/2011 Petruzzi A01K 13/001
119/604
- 2011/0067645 A1 * 3/2011 Arndt A01K 13/001
119/665
- 2011/0297103 A1 * 12/2011 Iou A01K 13/001
119/676

* cited by examiner

Primary Examiner — Susan Moon Lee
(74) *Attorney, Agent, or Firm* — George L. Goodridge, Esq.

(57) **CLAIM**
The ornamental design for a dog shower, as shown and described.

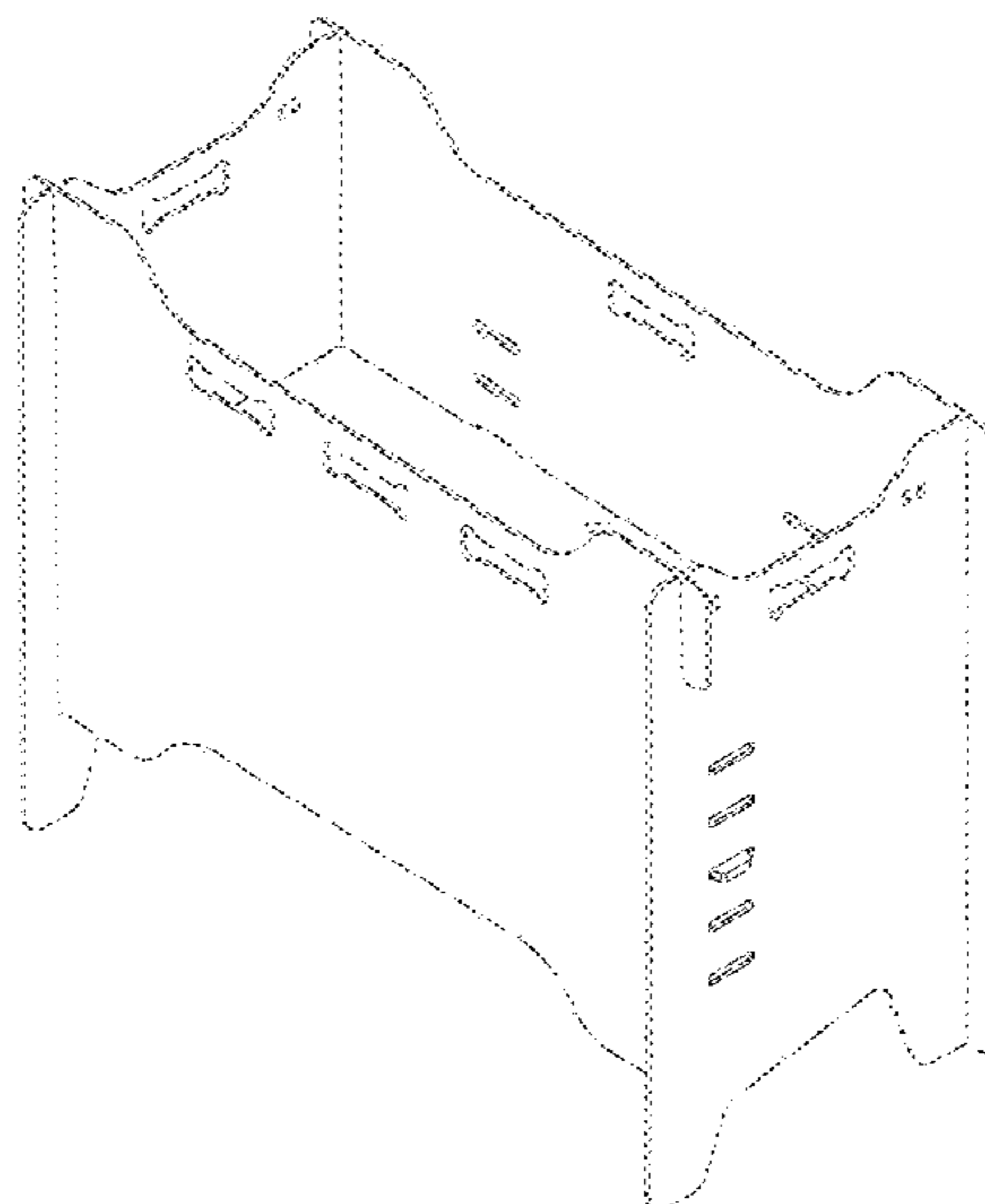
DESCRIPTION

FIG. 1 is a perspective view of a dog shower in accordance with our new design;
FIG. 2 is a front elevational view thereof;
FIG. 3 is a left side elevational view thereof;
FIG. 4 is a right side elevational view thereof;
FIG. 5 is a rear elevational view thereof;
FIG. 6 is a top plan view thereof; and,
FIG. 7 is a bottom plan view thereof.

1 Claim, 7 Drawing Sheets

(56) **References Cited**
U.S. PATENT DOCUMENTS

- D95,375 S * 4/1935 Morgan 4/538
- 5,213,064 A * 5/1993 Mondine A01K 13/001
119/671
- 5,259,339 A * 11/1993 McLaughlin A01K 13/001
119/676
- D345,632 S * 3/1994 McLaughlin D23/280.1
- D346,466 S * 4/1994 Puntervold, Sr. D23/280.1



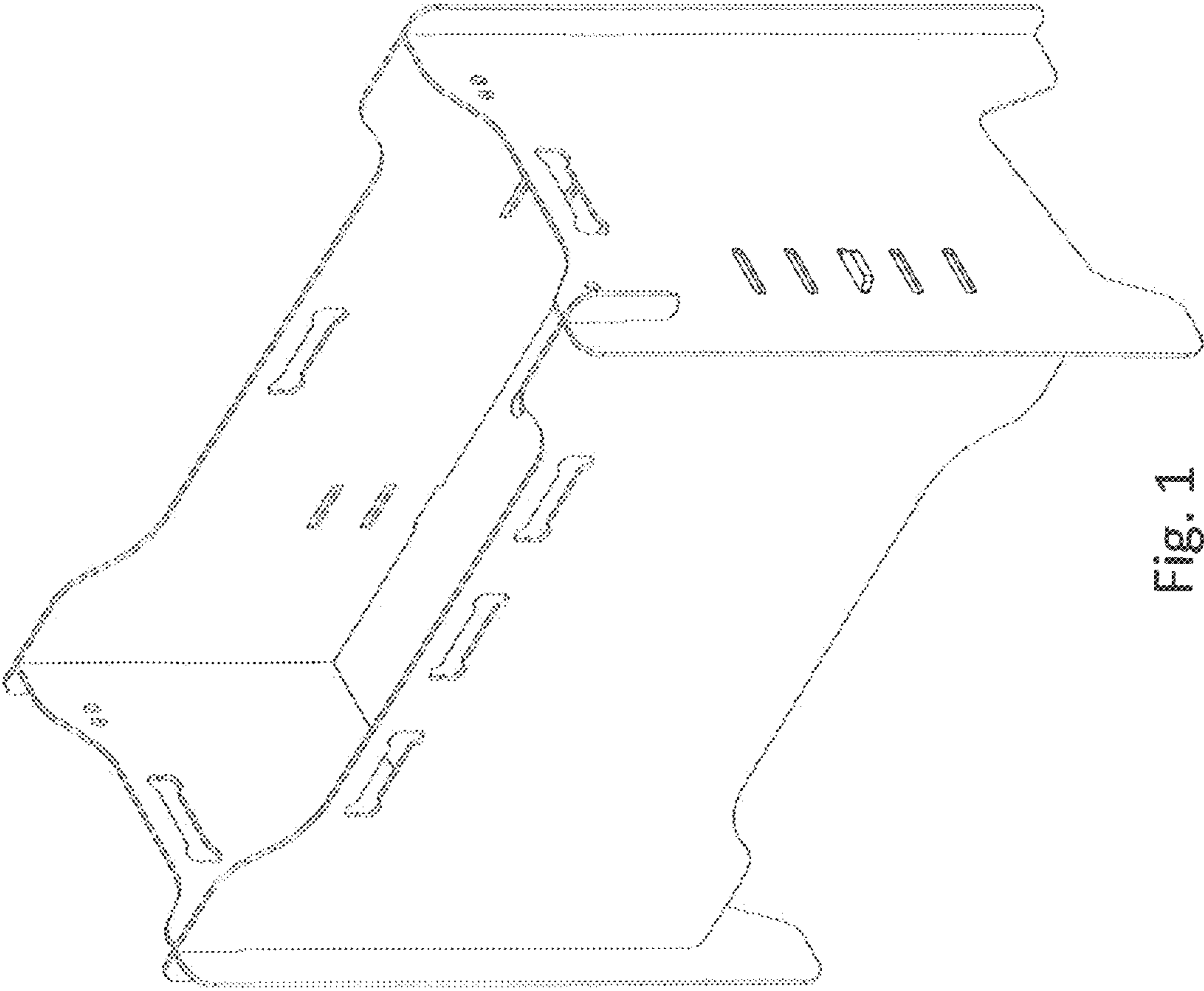


Fig. 1

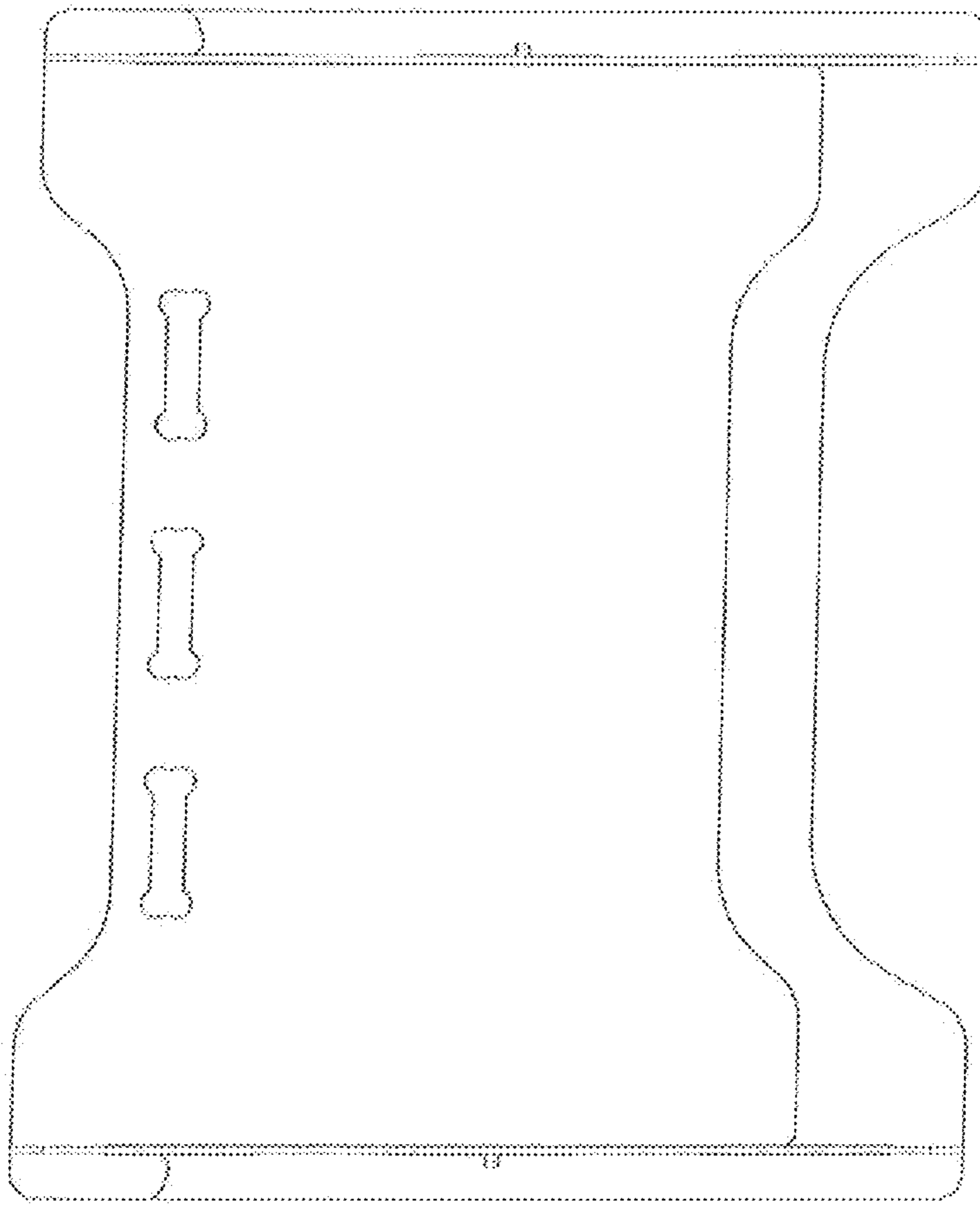


Fig. 2

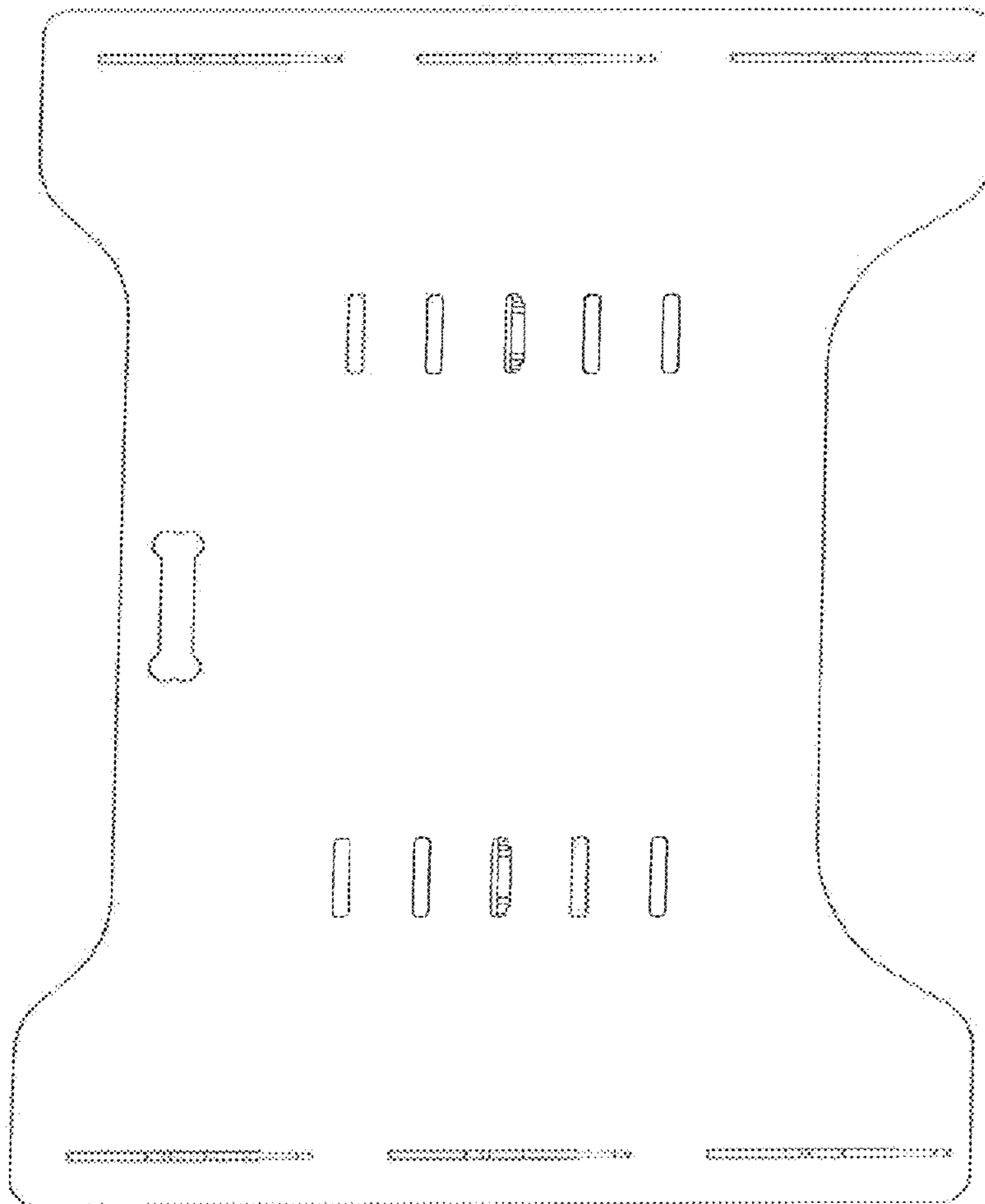


Fig. 3

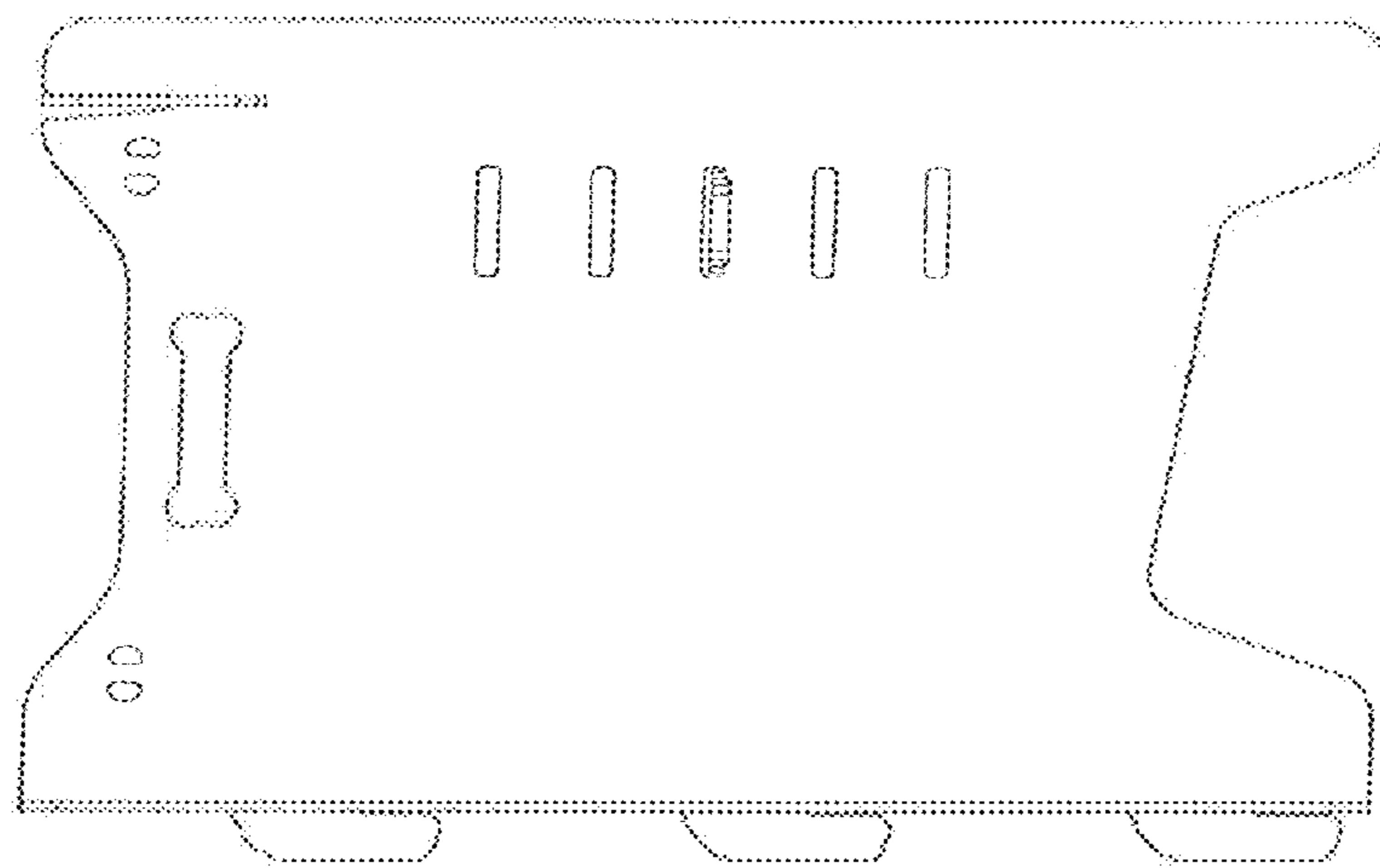


Fig. 4

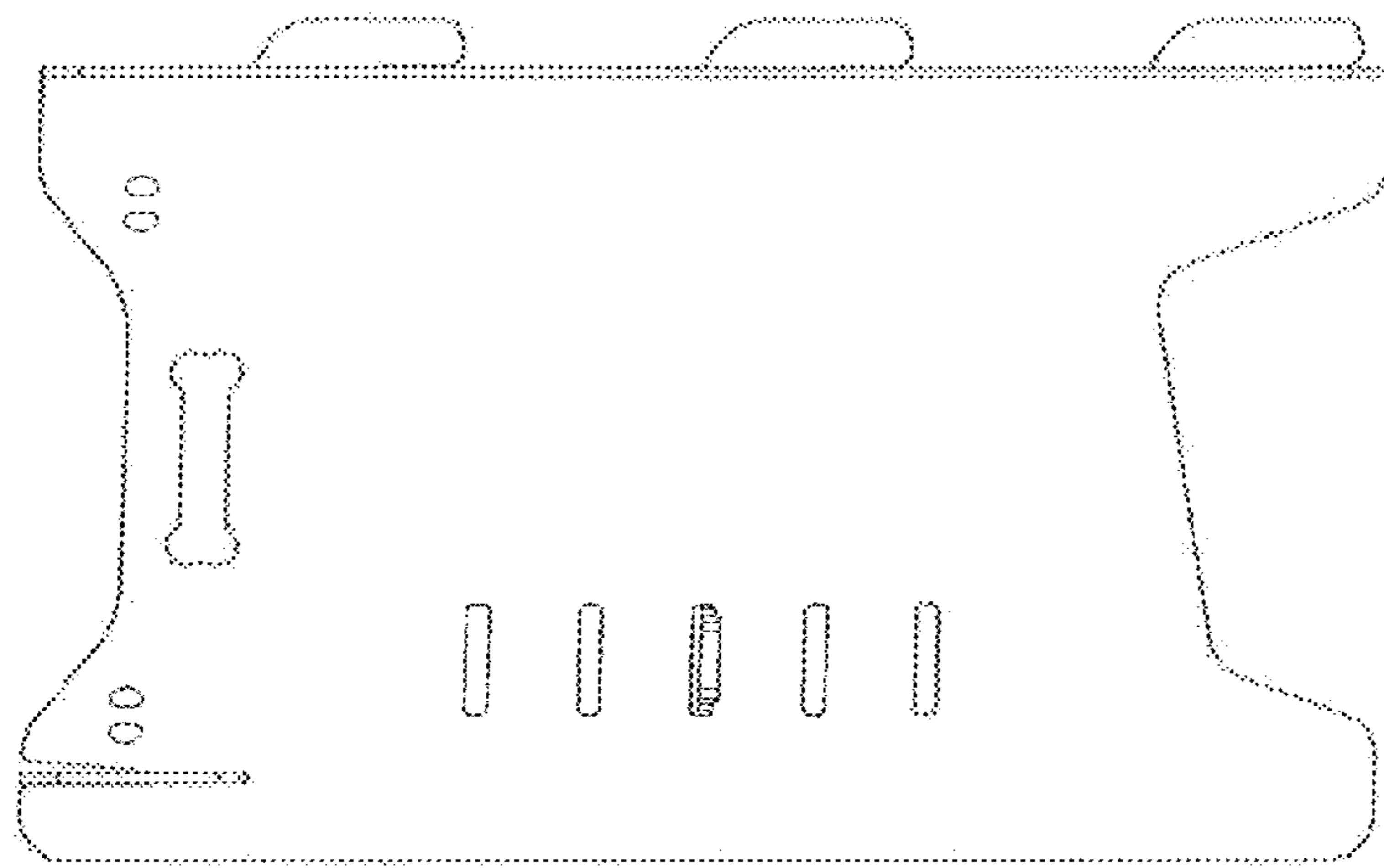


FIG. 5

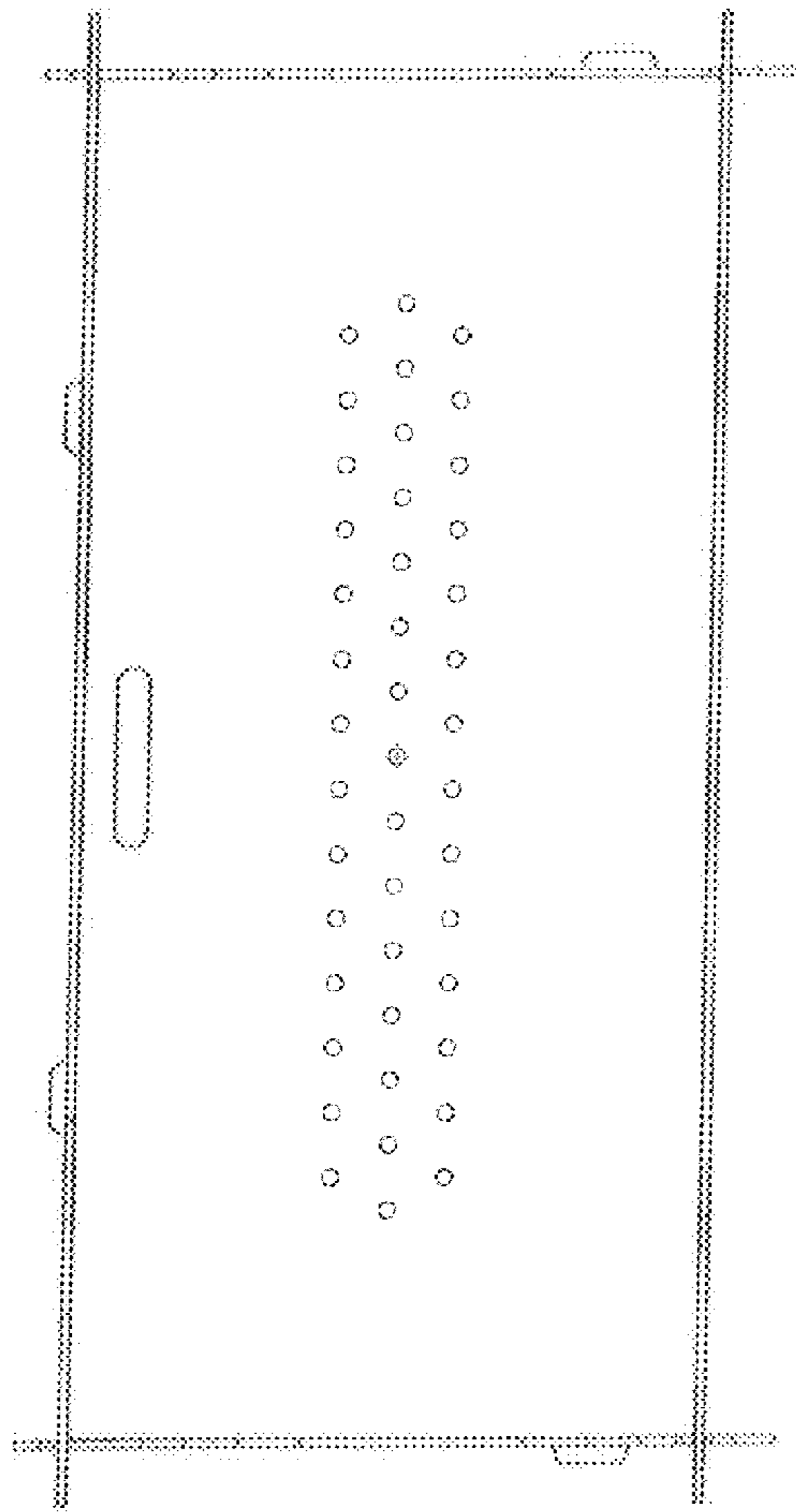


Fig. 6

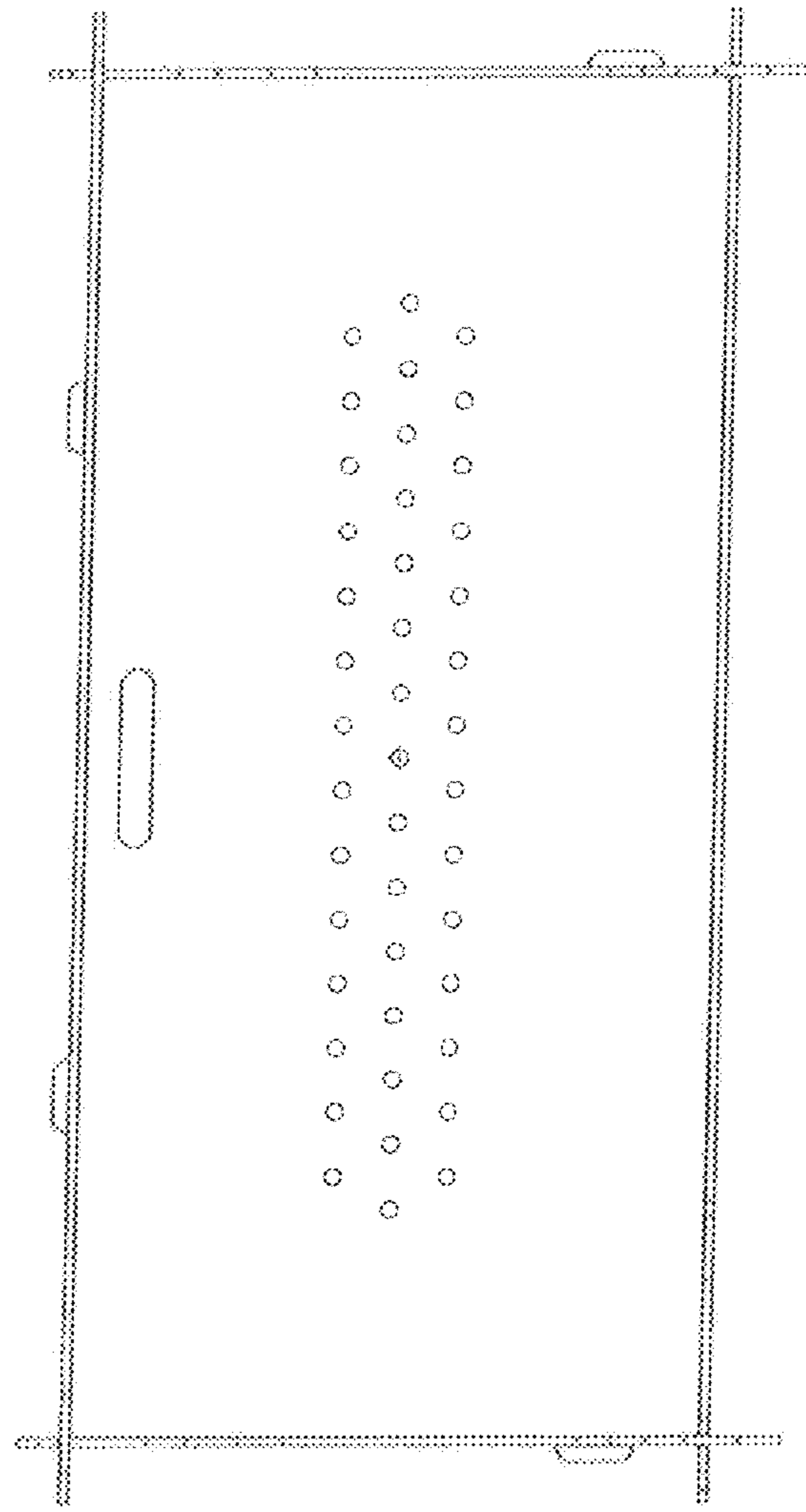


Fig. 7