



US00D769548S

(12) **United States Design Patent**
Spiegel

(10) **Patent No.:** **US D769,548 S**

(45) **Date of Patent:** **** Oct. 18, 2016**

(54) **DRINKING BOWL WITH BOTTLE**

(71) Applicant: **H. Jay Spiegel**, Mount Vernon, VA
(US)

(72) Inventor: **H. Jay Spiegel**, Mount Vernon, VA
(US)

(**) Term: **15 Years**

(21) Appl. No.: **29/540,551**

(22) Filed: **Sep. 25, 2015**

(51) **LOC (10) Cl.** **30-03**

(52) **U.S. Cl.**

USPC **D30/132**; D30/121; D30/129

(58) **Field of Classification Search**

USPC D30/121-133; 119/51.01, 61, 51.04,
119/53, 57.91, 54, 53.5, 52.4, 51.11, 63,
119/61.2, 52.1, 57.5, 57.6, 51.13, 62, 75,
119/500, 501, 72, 72.5, 74, 78-81, 61.56,
119/51.5; 239/7, 687, 379, 397.5; 222/199,
222/181.1, 181.2, 185.1, 557, 156, 485,
222/486, 548, 555, 207, 205, 424, 438, 48,
222/206, 212, 215, 460, 461, 525, 86, 89;
220/200, 227, 247, 262, 694, 700, 701,
220/703, 660-662, 521, 705, 709, 287, 523,
220/574, 6, 771, 737, 23.83, 212, 4.22,
220/847; 221/174, 185.1, 289, 295, 296,
221/559; 454/35; 209/270, 283, 244;
52/194, 192; 49/279, 344, 357;
D34/28; D9/531, 549, 516, 523, 530,
D9/538, 541, 544, 559, 719, 716, 424, 426,
D9/432, 428, 431, 433, 739; D7/300,
D7/300.1, 302-305, 312, 316, 317,
D7/507-512, 523, 524, 528, 700, 709, 605,
D7/620, 612, 619.1, 624.2, 624.3, 550.1,
D7/571, 587; D3/132; D15/143, 199;
D28/4, 7, 9; D19/66; 141/343, 331,
141/340, 384, 330, 332, 383, 311 R, 313,
141/338, 344, 345; 210/455; 215/228, 231,
215/235, 319-383, 386, DIG. 7, 388, 6,
215/12.1, 10, 13.1; 4/258, 259, 267;
206/459.1, 459.5, 501, 45.23, 6, 514,
206/DIG. 10, 217, 543, 544, 546, 549, 223,
206/241, 541, 518, 522, 557, 591;
224/148.4, 148.7, 650

CPC A01K 7/00; A01K 7/005; A01K 7/02;
A01K 7/022; A01K 7/06; A01K 39/0213;
A01K 39/02; B65D 41/26; B65D 41/265;
B65D 41/28; B65D 41/32; B65D 41/325;
B65D 41/34; B65D 41/56; B65D 51/20;
B65D 51/249; B65D 51/24; B65D 51/28;
B65D 47/243; B65D 2205/04; B65D
21/0238; B65D 81/3205; B65D 81/3216;
B65D 71/50; B65D 77/2024; B65D 43/0212;
B65D 2517/0049; B65D 2543/00046; B65D
2543/00092; B65D 2543/00537; B65D
2543/00731; B65D 2543/00796; B65D
2577/205; A61J 9/00; A61J 9/006; A61J
9/001; A61J 9/003; A61J 11/04; A61J 19/00;
B65B 39/00; B65B 39/001; B65B 39/005;
B65B 39/007; B67C 11/02; G01F 11/286;
B67B 7/28

See application file for complete search history.

(56) **References Cited**

U.S. PATENT DOCUMENTS

2,877,051 A * 3/1959 Cushman B05B 17/08
119/255
2,978,131 A * 4/1961 Garvey B65D 23/10
215/396

(Continued)

Primary Examiner — Susan Moon Lee

(74) *Attorney, Agent, or Firm* — H. Jay Spiegel

(57) **CLAIM**

The ornamental design for a drinking bowl with bottle, as shown and described.

DESCRIPTION

FIG. 1 shows a perspective view of my claimed design for a drinking bowl with bottle.

FIG. 2 shows an exploded perspective view of the drinking bowl with bottle.

FIG. 3 shows a rear view of the drinking bowl with bottle.

FIG. 4 shows a front view thereof;

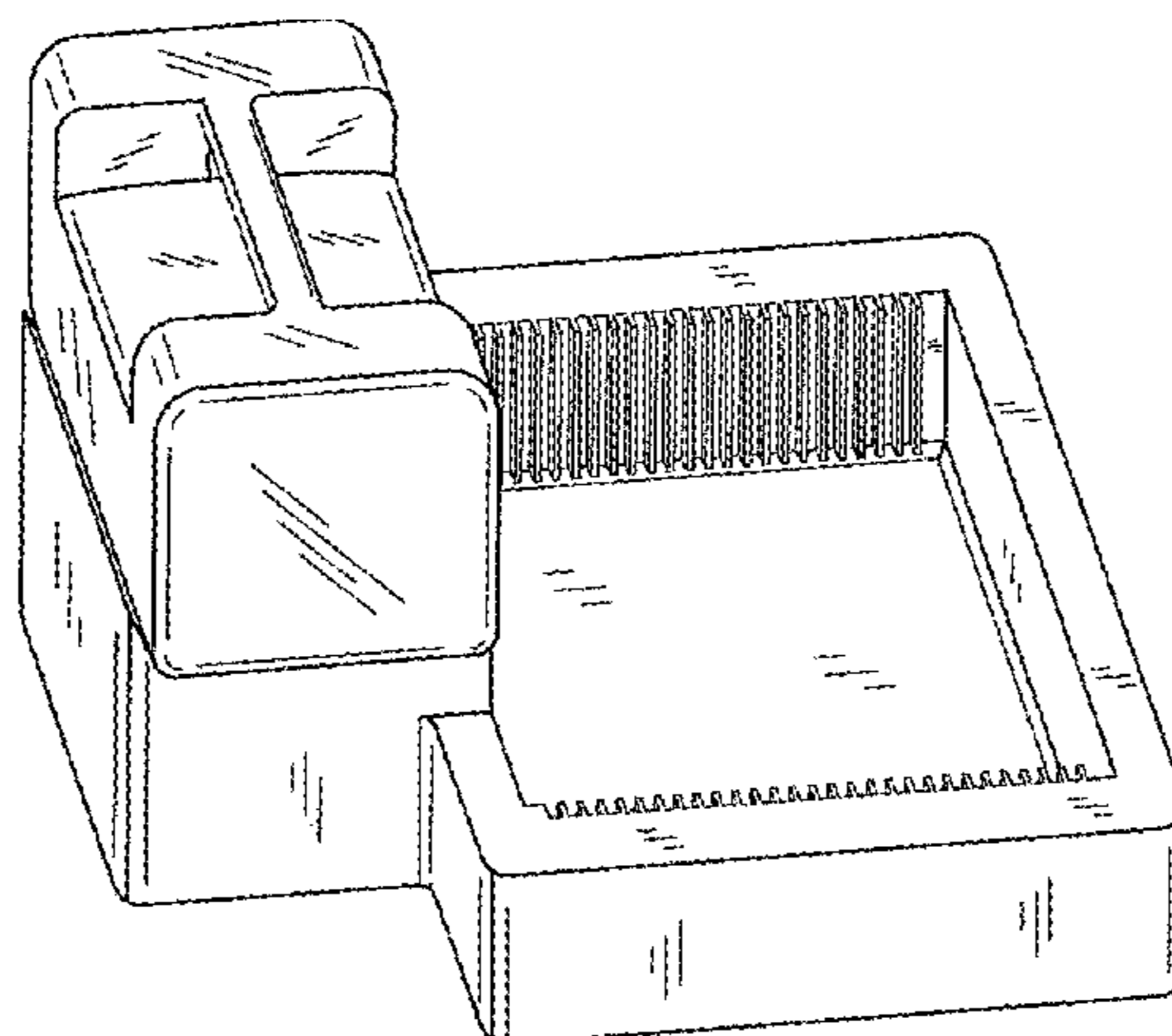
FIG. 5 shows a left side view thereof;

FIG. 6 shows a right side view thereof;

FIG. 7 shows a top view thereof; and,

FIG. 8 shows a bottom view thereof.

1 Claim, 5 Drawing Sheets



(56)

References Cited

U.S. PATENT DOCUMENTS

D192,978 S * 6/1962 Garvey 215/398
 D195,896 S * 8/1963 Garvey 215/398
 3,232,495 A * 2/1966 Schueider B65D 1/04
 215/384
 D205,166 S * 6/1966 Price D9/527
 D205,479 S * 8/1966 Carto et al. D9/527
 D205,480 S * 8/1966 Thomte et al. D9/604
 D224,639 S * 8/1972 Schieser et al. D9/527
 D227,345 S * 6/1973 Bell et al. D9/527
 4,034,715 A * 7/1977 Arner A01K 5/0114
 119/51.5
 D245,684 S * 9/1977 Julinot D11/155
 4,079,932 A * 3/1978 Schuetz A63B 5/20
 215/385
 4,134,365 A * 1/1979 Futers A01K 5/0225
 119/51.5
 4,138,967 A * 2/1979 Tamborrino A01K 7/04
 119/78
 4,281,624 A * 8/1981 Raines A01K 5/0225
 119/52.1
 4,303,039 A * 12/1981 Thibault A01K 5/0225
 119/52.1
 D268,437 S * 3/1983 Giordano D21/682
 D276,890 S * 12/1984 Hancher D9/522
 D278,371 S * 4/1985 Strickland D30/132
 D289,808 S * 5/1987 Gardner D30/122
 D289,976 S * 5/1987 Humpries D9/525
 4,712,794 A * 12/1987 Hall A45F 3/16
 222/521
 4,735,171 A * 4/1988 Essex A01K 5/0291
 119/51.12
 D296,668 S * 7/1988 Stavish D24/224
 D297,961 S * 10/1988 Egger D21/682
 D299,153 S * 12/1988 Hall D21/682
 D303,422 S * 9/1989 Pan D23/201
 4,889,261 A * 12/1989 Conrad B65D 23/12
 206/499
 D305,504 S * 1/1990 Fischer D9/520
 D309,762 S * 8/1990 Carr D21/678
 5,016,572 A * 5/1991 Weber A01K 39/012
 119/52.1
 D325,871 S * 5/1992 Hestehave D9/520
 D333,177 S * 2/1993 Poirier D23/211.1
 D335,197 S * 4/1993 Strickland D30/132
 D338,158 S * 8/1993 Poirier D23/211.1
 D340,759 S * 10/1993 Miller D21/680
 D343,880 S * 2/1994 Shelton D21/678
 D350,841 S * 9/1994 VanSkiver D30/121
 5,365,879 A * 11/1994 Ying-Kuan A01K 5/0241
 119/476
 D358,097 S * 5/1995 Leibowitz D30/132
 D358,548 S * 5/1995 Platte D7/313
 5,460,122 A * 10/1995 Reinartz A01K 1/011
 119/164
 5,477,812 A * 12/1995 Waters A01K 1/0114
 119/163
 D367,425 S * 2/1996 Allen D7/511
 5,511,513 A * 4/1996 Baron A01K 1/0107
 119/163
 D392,711 S * 3/1998 Decker D21/678
 5,758,599 A * 6/1998 Glanville A01K 7/00
 119/77
 5,799,609 A * 9/1998 Burns A01K 7/00
 119/74
 5,809,934 A * 9/1998 Gavet A01K 7/02
 119/52.1
 5,842,437 A * 12/1998 Burns A01K 7/00
 119/74

5,884,802 A * 3/1999 Leibowitz B65D 25/2882
 220/771
 6,055,932 A * 5/2000 Weber A01K 5/0114
 119/52.1
 6,079,361 A * 6/2000 Howell A01K 7/02
 119/52.1
 D428,217 S * 7/2000 Rodack D30/132
 6,202,595 B1 * 3/2001 Atcravi A01K 1/0114
 119/165
 6,312,507 B1 * 11/2001 Taylor A01K 1/0107
 119/165
 D452,956 S * 1/2002 Hari D9/527
 6,463,880 B1 * 10/2002 Callingham A01K 7/00
 119/73
 6,467,428 B1 * 10/2002 Andrisin A01K 5/0114
 119/51.5
 D482,373 S * 11/2003 Seymour D15/79
 D485,189 S * 1/2004 Montalbano D9/528
 D491,250 S * 6/2004 Raymond D23/201
 D497,313 S * 10/2004 Glover D23/211.2
 D504,824 S * 5/2005 Darr D9/528
 6,971,331 B1 * 12/2005 Rohrer A01K 7/02
 119/52.1
 D514,940 S * 2/2006 Darr D9/523
 D516,434 S * 3/2006 McGuire D9/524
 D528,425 S * 9/2006 Van Dorin D9/524
 D531,511 S * 11/2006 Wolff D9/528
 7,146,930 B1 * 12/2006 Ness A01K 7/02
 119/72
 D536,711 S * 2/2007 Sundheim D15/79
 D549,744 S * 8/2007 Sundheim D15/79
 7,281,494 B1 * 10/2007 Connerley A01K 7/02
 119/74
 7,303,142 B2 * 12/2007 Gluck B05B 17/08
 239/12
 D569,476 S * 5/2008 Munlin D23/211.1
 D581,481 S * 11/2008 Edwards D23/211
 D589,808 S * 4/2009 Gundrum D23/211.1
 D589,809 S * 4/2009 Gundrum D23/211.1
 7,513,217 B1 * 4/2009 Leach A01K 7/00
 119/57.8
 D605,519 S * 12/2009 Caggiano D9/516
 D609,102 S * 2/2010 Matlin D9/527
 D637,769 S * 5/2011 Weber D30/121
 D696,588 S * 12/2013 Maas D9/528
 D696,956 S * 1/2014 Jung D23/211.1
 D699,901 S * 2/2014 McCallum D30/132
 D704,391 S * 5/2014 Tan D30/132
 D717,656 S * 11/2014 Tiet D9/527
 D745,804 S * 12/2015 Baacke D7/402
 D751,774 S * 3/2016 Allen D30/122
 2003/0051672 A1 * 3/2003 Gordon A01K 1/0114
 119/166
 2005/0160995 A1 * 7/2005 Graves A01K 39/024
 119/78
 2006/0196438 A1 * 9/2006 Caputa A01K 1/0107
 119/165
 2006/0231040 A1 * 10/2006 Bast A01K 7/005
 119/77
 2007/0095297 A1 * 5/2007 Boyd A01K 7/022
 119/74
 2008/0078330 A1 * 4/2008 McCallum A01K 7/02
 119/72
 2009/0217881 A1 * 9/2009 Chambers A01K 7/027
 119/73
 2013/0092090 A1 * 4/2013 McCallum A01K 1/0356
 119/74
 2013/0298839 A1 * 11/2013 Richards A01N 59/12
 119/75
 2015/0096649 A1 * 4/2015 Lathim A01K 5/0114
 141/324

* cited by examiner

FIG. 1

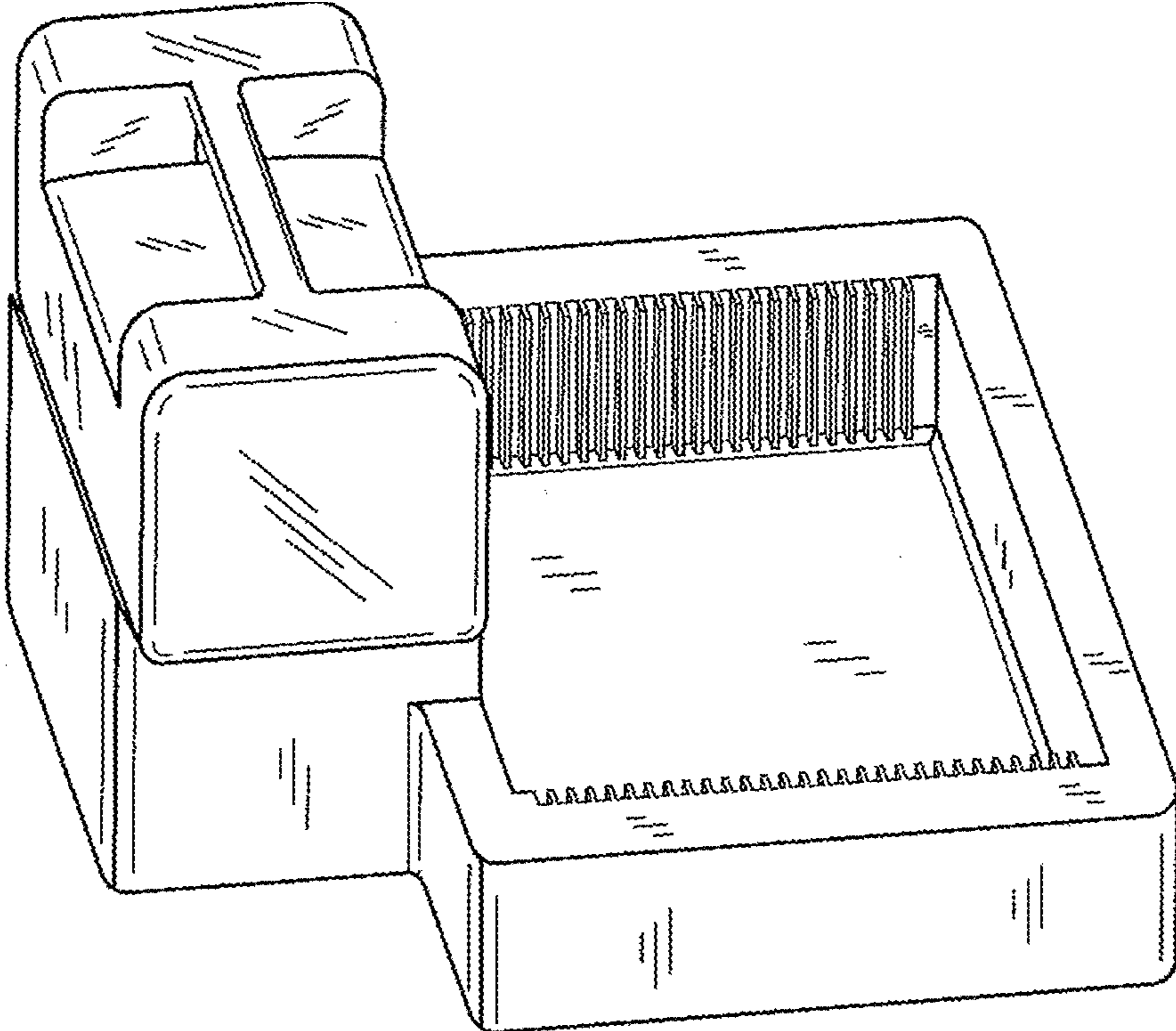


FIG. 2

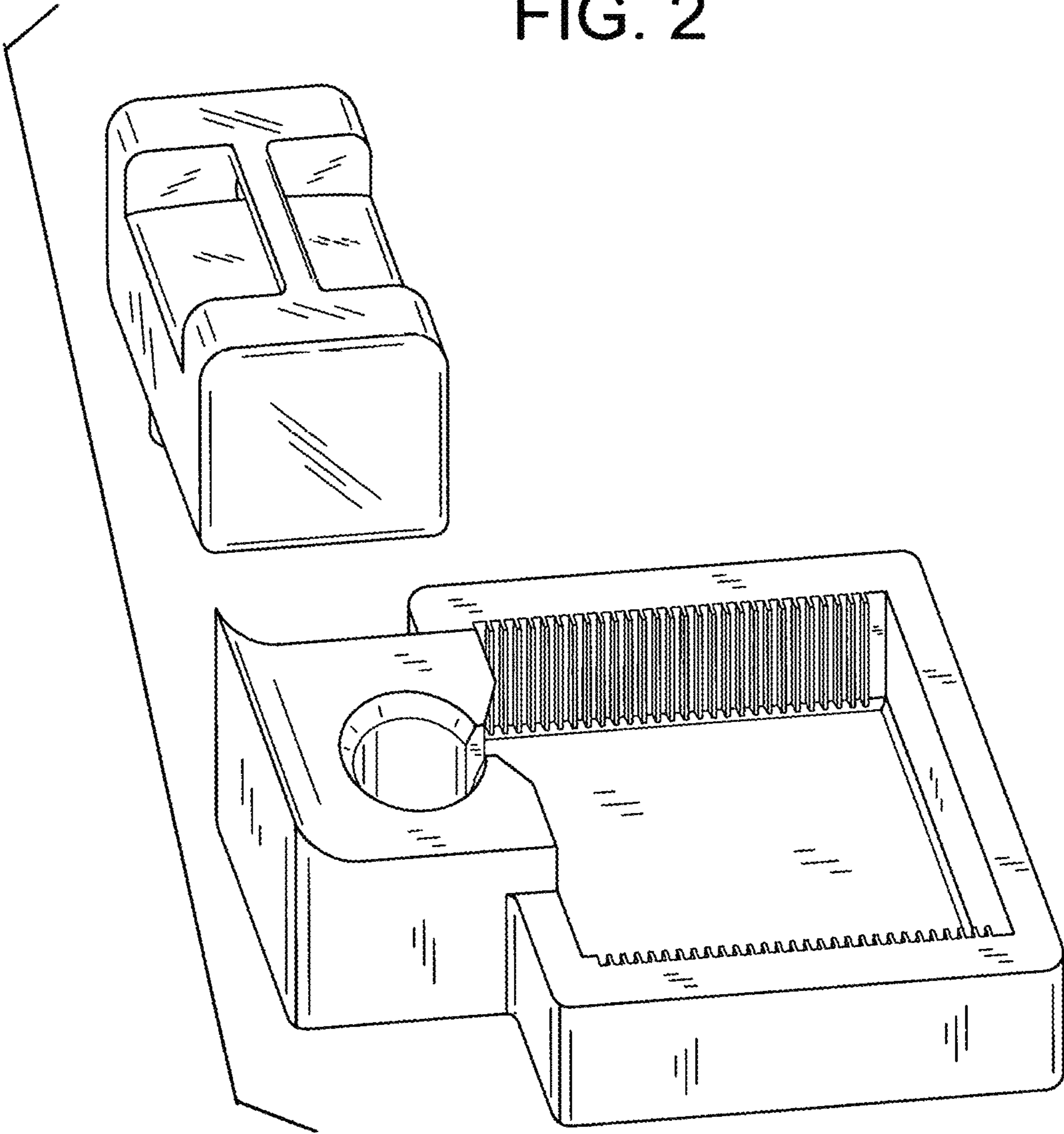


FIG. 3

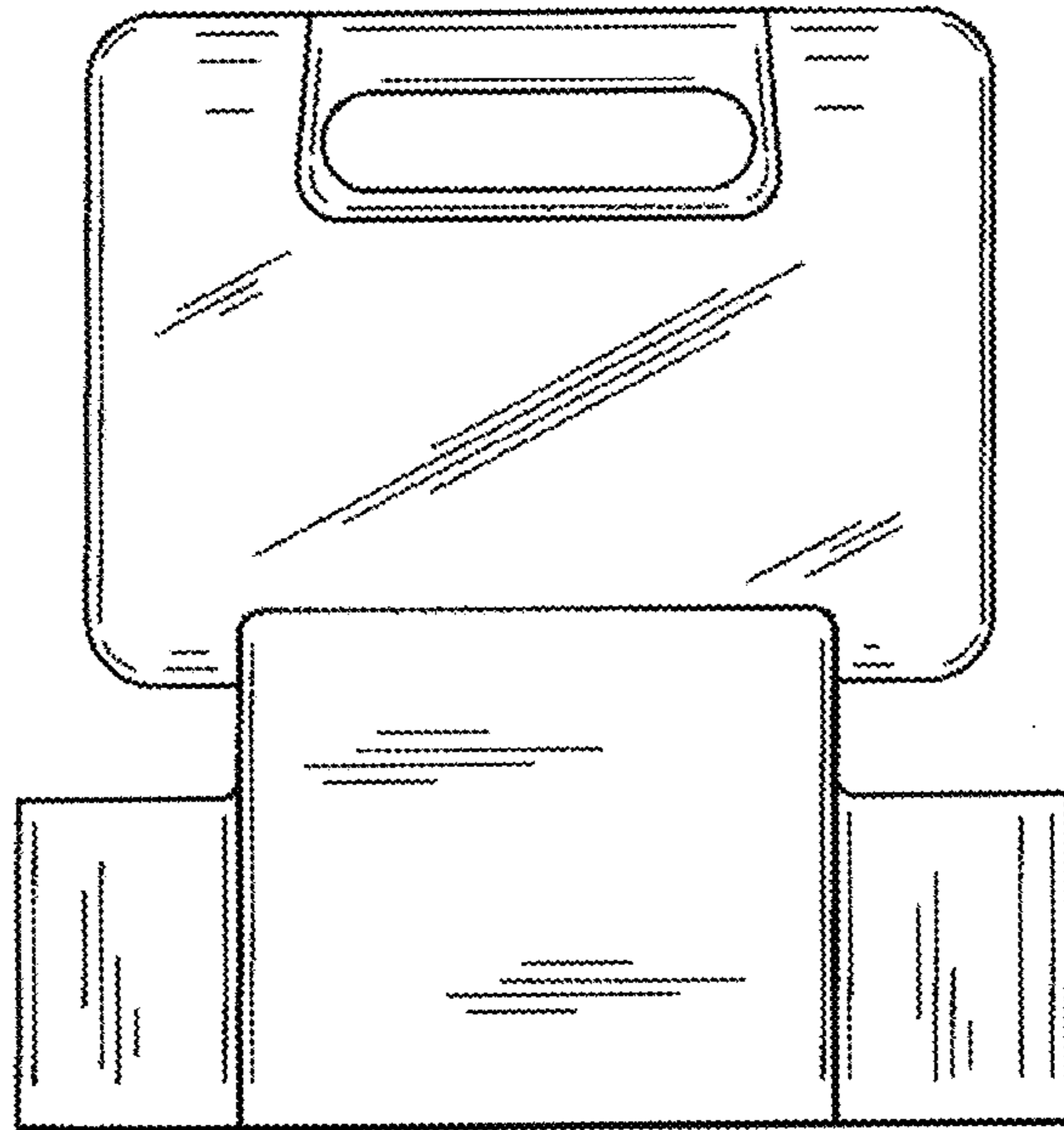
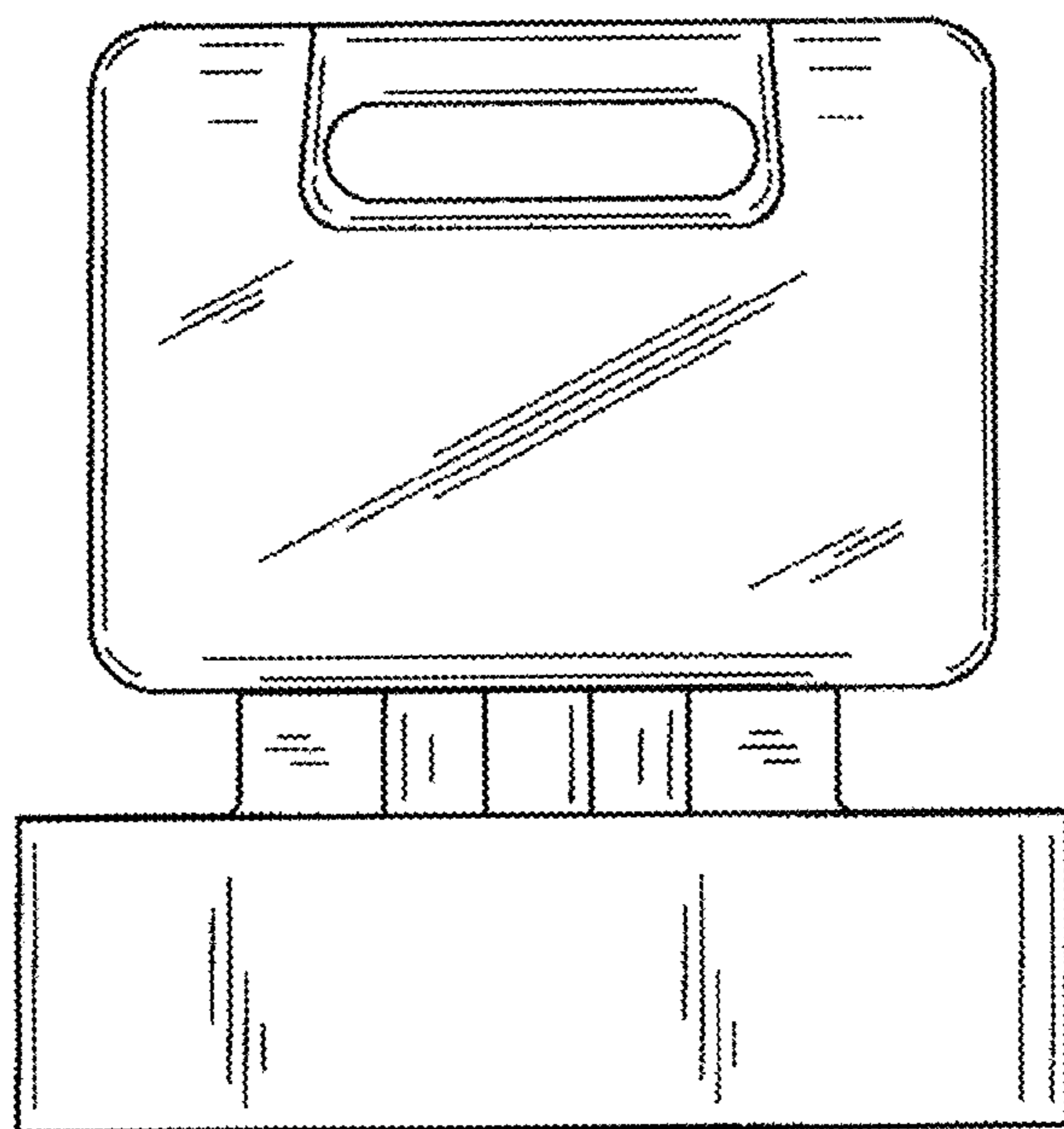


FIG. 4



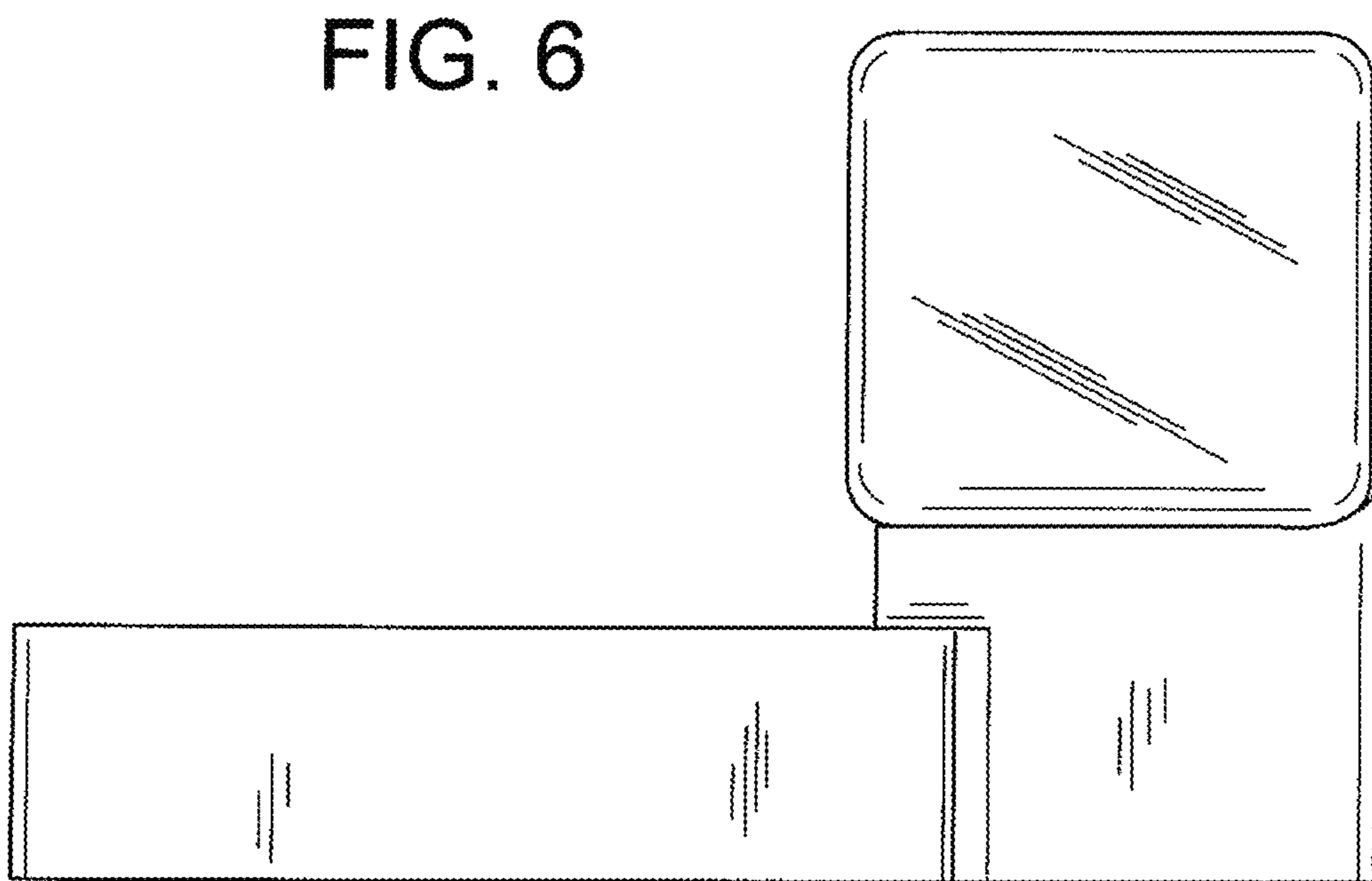
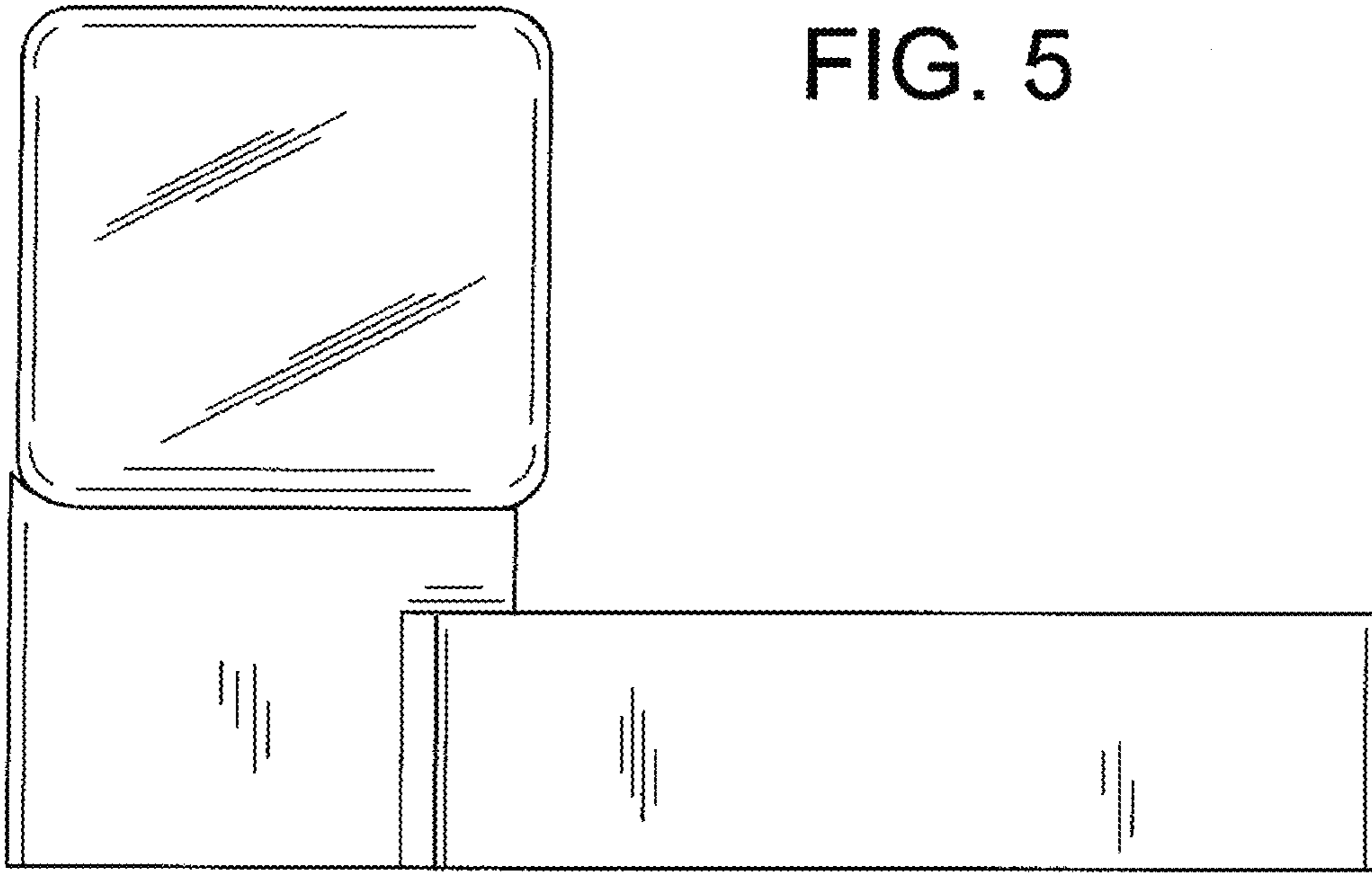


FIG. 7

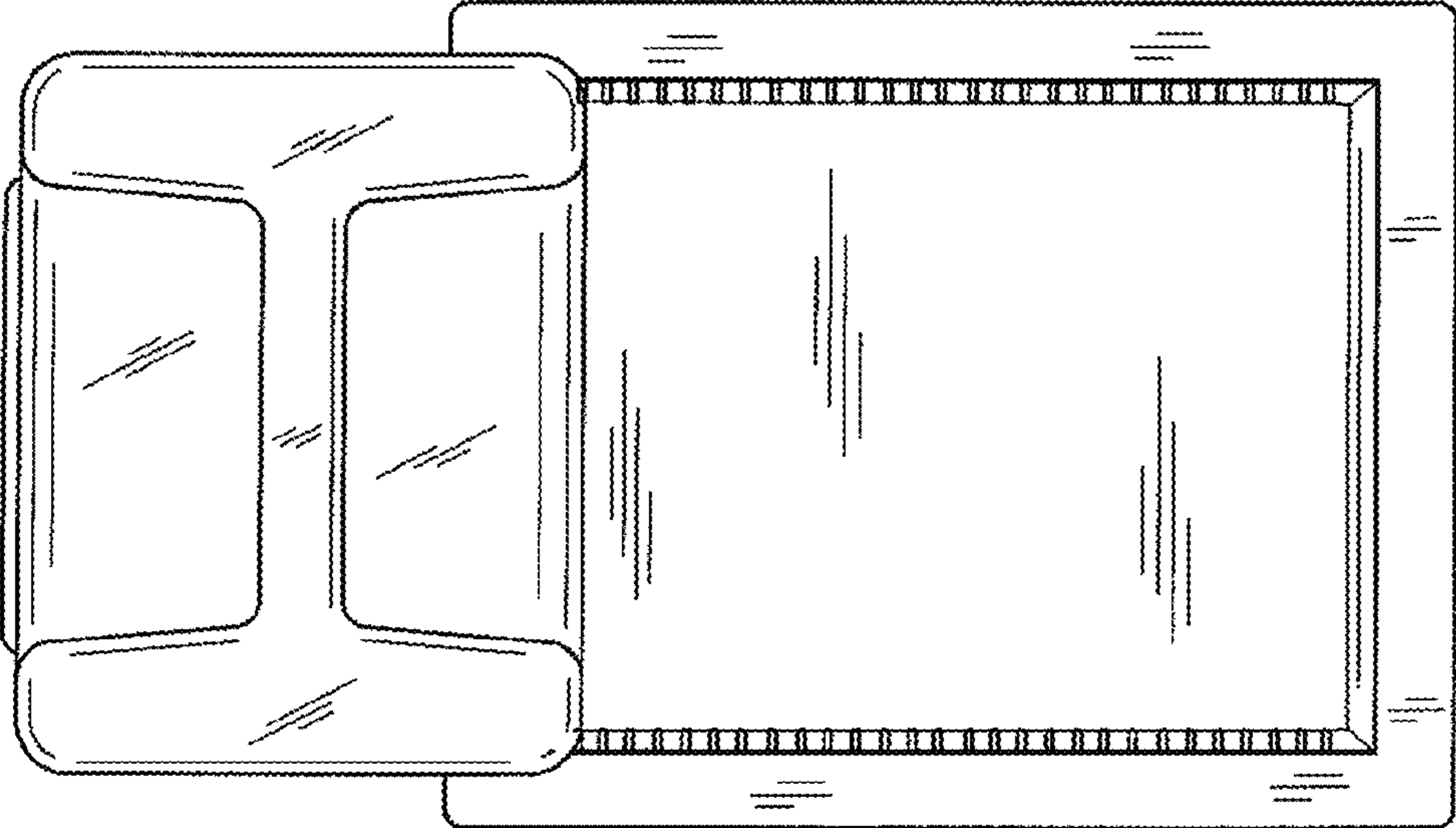


FIG. 8

