



US00D769547S

(12) **United States Design Patent**
Spiegel

(10) **Patent No.:** **US D769,547 S**

(45) **Date of Patent:** **** Oct. 18, 2016**

(54) **DRINKING BOWL**

(71) Applicant: **H. Jay Spiegel**, Mount Vernon, VA
(US)

(72) Inventor: **H. Jay Spiegel**, Mount Vernon, VA
(US)

(**) Term: **15 Years**

(21) Appl. No.: **29/540,542**

(22) Filed: **Sep. 25, 2015**

(51) **LOC (10) Cl.** **30-03**

(52) **U.S. Cl.**

USPC **D30/132**; D30/121; D30/129

(58) **Field of Classification Search**

USPC D30/121-133; 119/51.01, 61, 51.04,
119/53, 57.91, 54, 53.5, 52.4, 51.11, 63,
119/61.2, 52.1, 57.5, 57.6, 51.13, 62, 75,
119/500, 501, 72, 72.5, 74, 78-81, 61.56,
119/51.5; 239/7, 687, 379, 397.5; 222/199,
222/181.1, 181.2, 185.1, 557, 156, 485,
222/486, 548, 555, 207, 205, 424, 438, 48,
222/206, 212, 215, 460, 461, 525, 86, 89;
220/200, 227, 247, 262, 694, 700, 701,
220/703, 660-662, 521, 705, 709, 287, 523,
220/574, 6, 771, 737, 23.83, 212, 4.22,
220/847; 221/174, 185.1, 289, 295, 296,
221/559; 454/35; 209/270, 283, 244;
52/194, 192; 49/279, 344, 357;
D34/28; D9/531, 549, 516, 523, 530,
D9/538, 541, 544, 559, 719, 716, 424, 426,
D9/432, 428, 431, 433, 739; D7/300,
D7/300.1, 302-305, 312, 316, 317,
D7/507-512, 523, 524, 528, 700, 709, 605,
D7/620, 612, 619.1, 624.2, 624.3, 550.1,
D7/571, 587; D3/132; D15/143, 199;
D28/4, 7, 9; D19/66; 141/343, 331,
141/340, 384, 330, 332, 383, 311 R, 313,
141/338, 344, 345; 210/455; 215/228, 231,
215/235, 319-383, 386, DIG. 7, 388, 6,
215/12.1, 10, 13.1; 4/258, 259, 267;
206/459.1, 459.5, 501, 45.23, 6, 514,
206/DIG. 10, 217, 543, 544, 546, 549, 223,
206/241, 541, 518, 522, 557, 591;
224/148.4, 148.7, 650

CPC A01K 7/00; A01K 7/005; A01K 7/02;
A01K 7/022; A01K 7/06; A01K 39/0213;
A01K 39/02; B65D 41/26; B65D 41/265;
B65D 41/28; B65D 41/32; B65D 41/325;
B65D 41/34; B65D 41/56; B65D 51/20;
B65D 51/249; B65D 51/24; B65D 51/28;
B65D 47/243; B65D 2205/04; B65D
21/0238; B65D 81/3205; B65D 81/3216;
B65D 71/50; B65D 77/2024; B65D 43/0212;
B65D 2517/0049; B65D 2543/00046; B65D
2543/00092; B65D 2543/00537; B65D
2543/00731; B65D 2543/00796; B65D
2577/205; A61J 9/00; A61J 9/006; A61J
9/001; A61J 9/003; A61J 11/04; A61J 19/00;
B65B 39/00; B65B 39/001; B65B 39/005;
B65B 39/007; B67C 11/02; G01F 11/286;
B67B 7/28

See application file for complete search history.

(56) **References Cited**

U.S. PATENT DOCUMENTS

2,877,051 A * 3/1959 Cushman B05B 17/08
119/255
4,034,715 A * 7/1977 Arner A01K 5/0114
119/51.5

(Continued)

Primary Examiner — Susan Moon Lee

(74) *Attorney, Agent, or Firm* — H. Jay Spiegel

(57) **CLAIM**

The ornamental design for a drinking bowl, as shown and described.

DESCRIPTION

FIG. 1 shows a perspective view of my claimed design for a drinking bowl.

FIG. 2 shows a front view thereof;

FIG. 3 shows a rear view thereof;

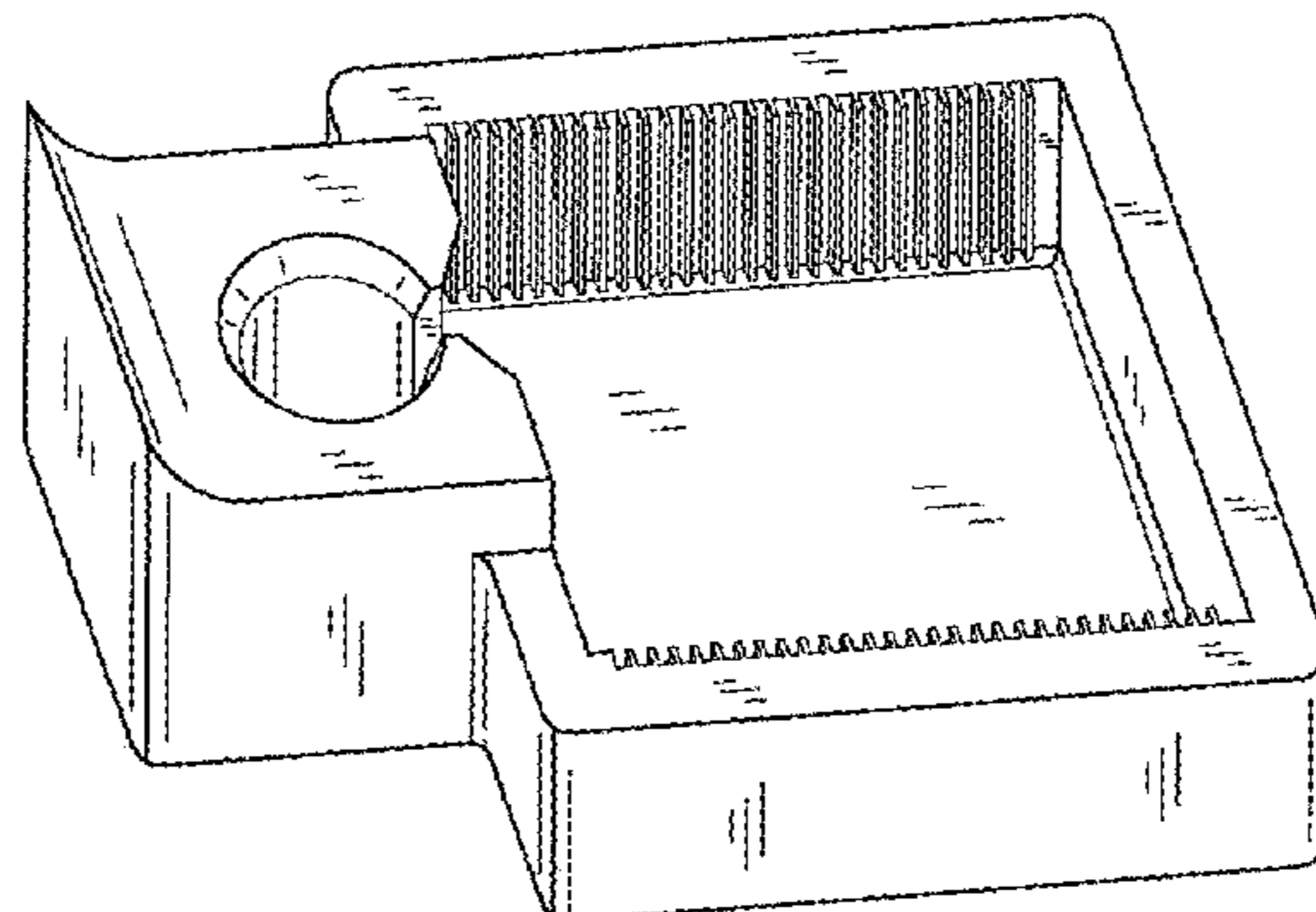
FIG. 4 shows a left side view thereof;

FIG. 5 shows a right side view thereof;

FIG. 6 shows a top view thereof; and,

FIG. 7 shows a bottom view thereof.

1 Claim, 4 Drawing Sheets



(56)

References Cited

U.S. PATENT DOCUMENTS

D245,684 S * 9/1977 Julinot D11/155
 4,134,365 A * 1/1979 Futers A01K 5/0225
 119/51.5
 4,138,967 A * 2/1979 Tamborrino A01K 7/04
 119/78
 4,303,039 A * 12/1981 Thibault A01K 5/0225
 119/52.1
 D278,371 S * 4/1985 Strickland D30/132
 D289,808 S * 5/1987 Gardner D30/122
 D303,422 S * 9/1989 Pan D23/201
 5,016,572 A * 5/1991 Weber A01K 39/012
 119/52.1
 D335,197 S * 4/1993 Strickland D30/132
 5,365,879 A * 11/1994 Ying-Kuan A01K 5/0241
 119/476
 5,460,122 A * 10/1995 Reinartz A01K 1/011
 119/164
 5,477,812 A * 12/1995 Waters A01K 1/0114
 119/163
 5,511,513 A * 4/1996 Baron A01K 1/0107
 119/163
 5,758,599 A * 6/1998 Glanville A01K 7/00
 119/77
 5,799,609 A * 9/1998 Burns A01K 7/00
 119/74

5,809,934 A * 9/1998 Gavet A01K 7/02
 119/52.1
 5,842,437 A * 12/1998 Burns A01K 7/00
 119/74
 6,055,932 A * 5/2000 Weber A01K 5/0114
 119/52.1
 D428,217 S * 7/2000 Rodack D30/132
 6,202,595 B1 * 3/2001 Atcravi A01K 1/0114
 119/165
 6,312,507 B1 * 11/2001 Taylor A01K 1/0107
 119/165
 D491,250 S * 6/2004 Raymond D23/201
 6,971,331 B1 * 12/2005 Rohrer A01K 7/02
 119/52.1
 7,146,930 B1 * 12/2006 Ness A01K 7/02
 119/72
 7,303,142 B2 * 12/2007 Gluck B05B 17/08
 239/12
 7,513,217 B1 * 4/2009 Leach A01K 7/00
 119/57.8
 D699,901 S * 2/2014 McCallum D30/132
 8,640,648 B2 * 2/2014 Lathim A01K 1/0107
 119/165
 2003/0051672 A1 * 3/2003 Gordon A01K 1/0114
 119/166
 2006/0196438 A1 * 9/2006 Caputa A01K 1/0107
 119/165

* cited by examiner

FIG. 1

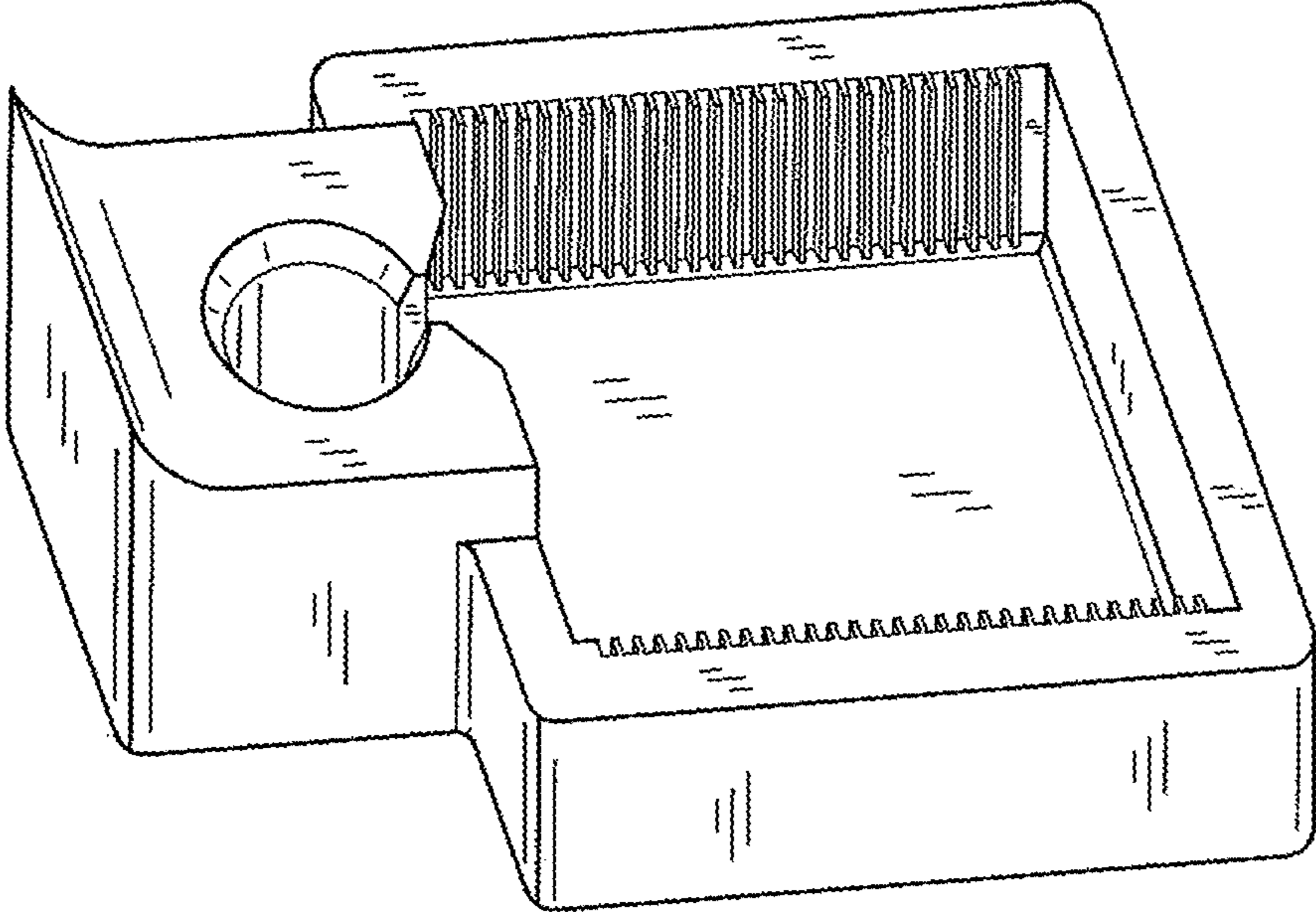


FIG. 2

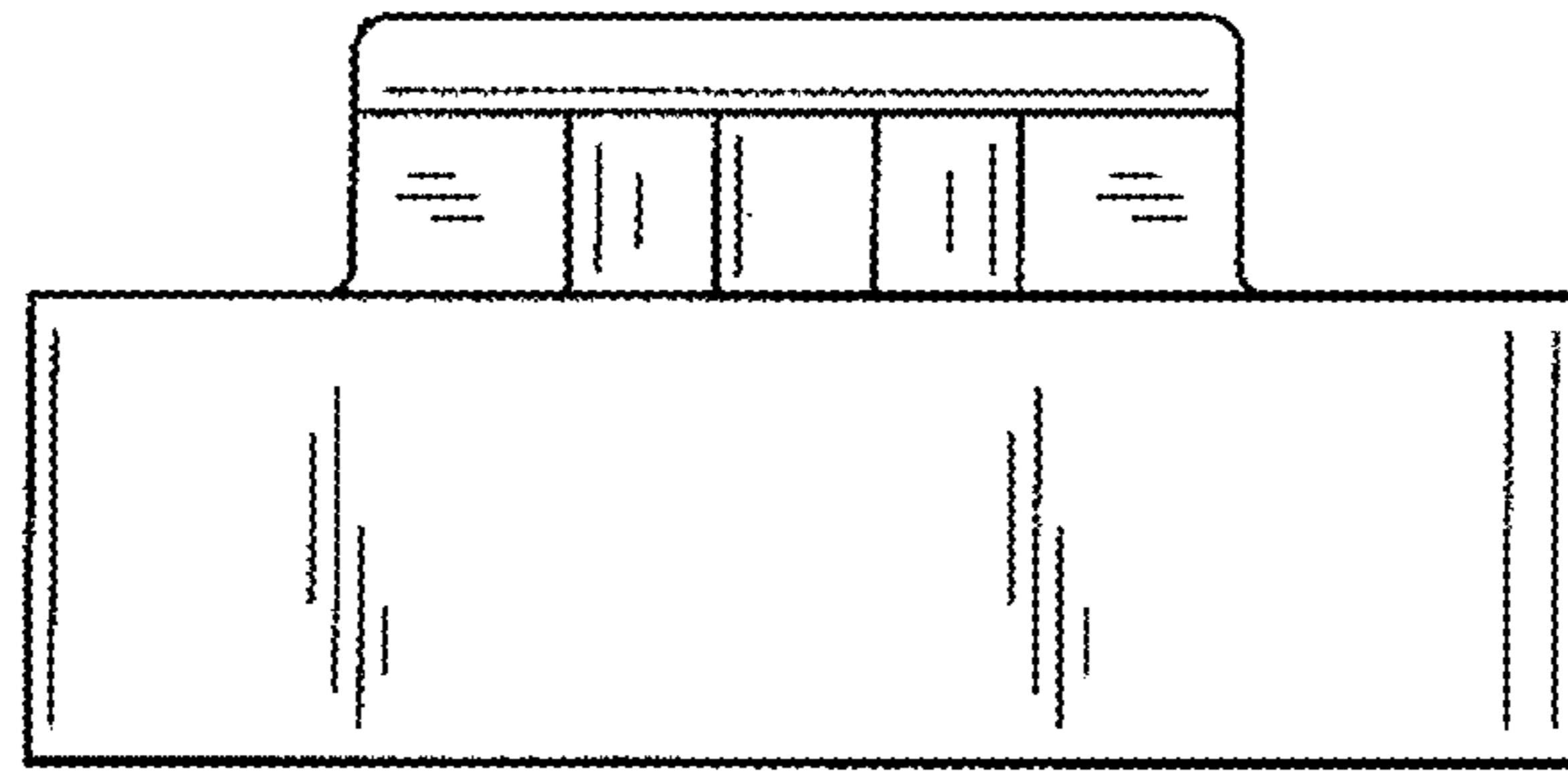


FIG. 3

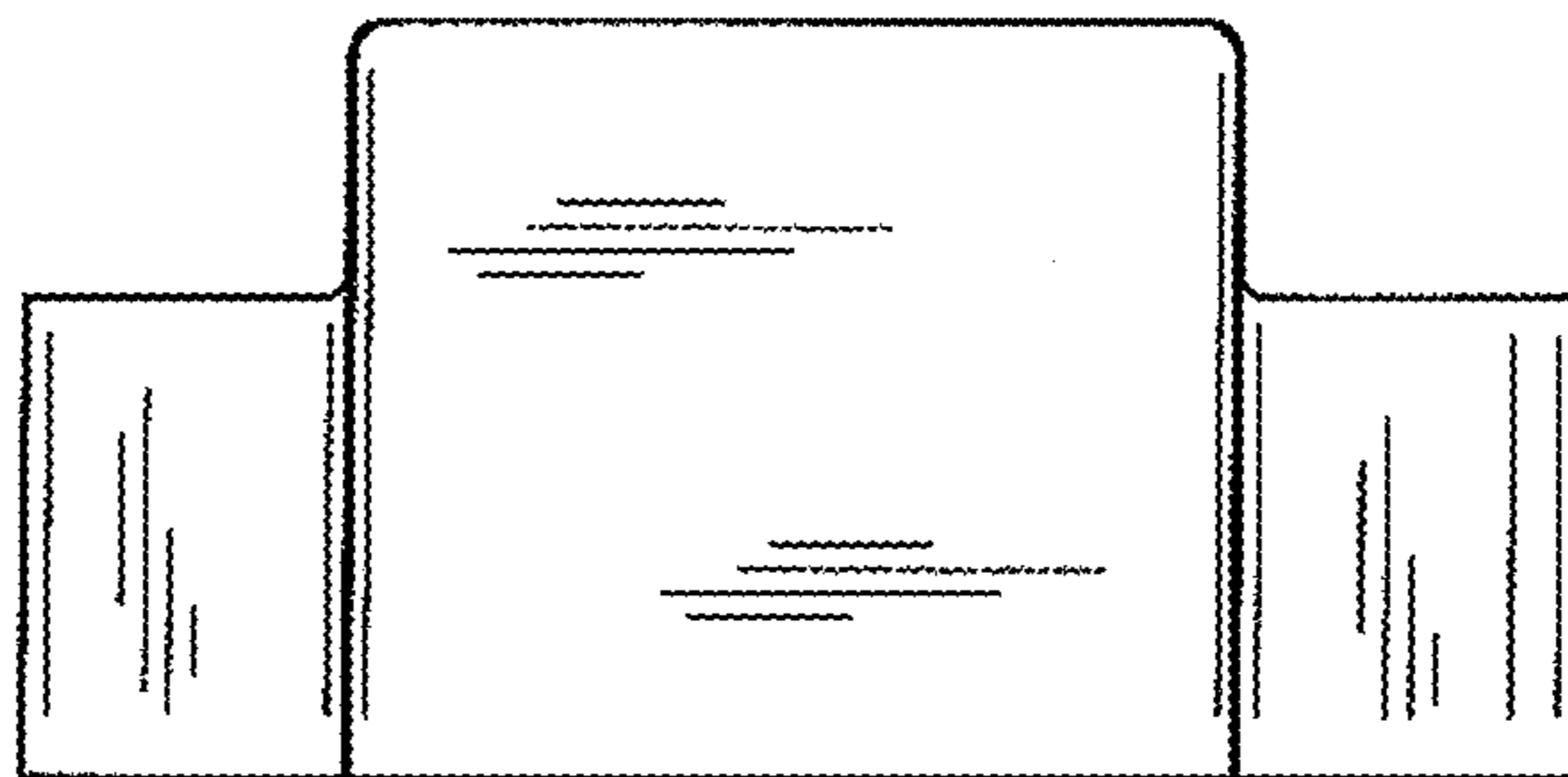


FIG. 4

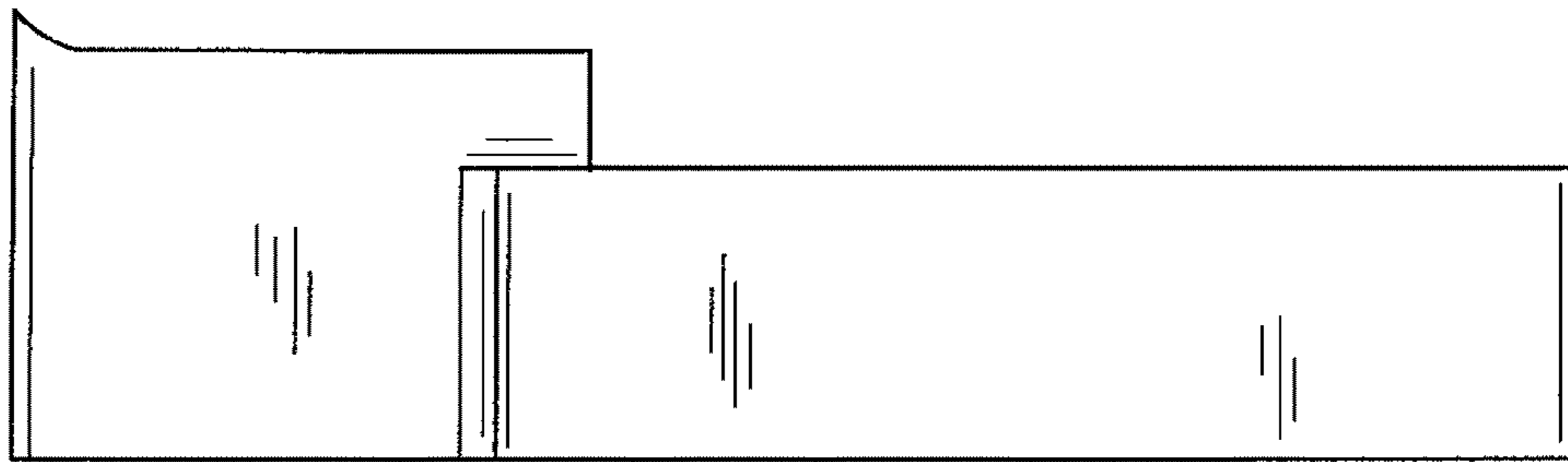


FIG. 5

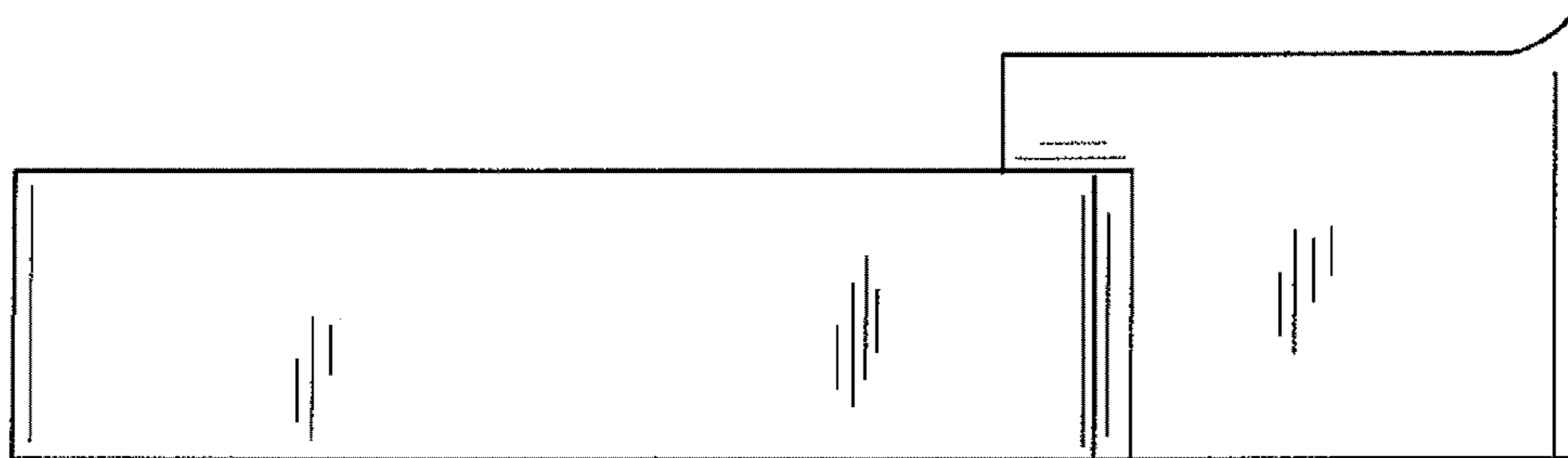


FIG. 6

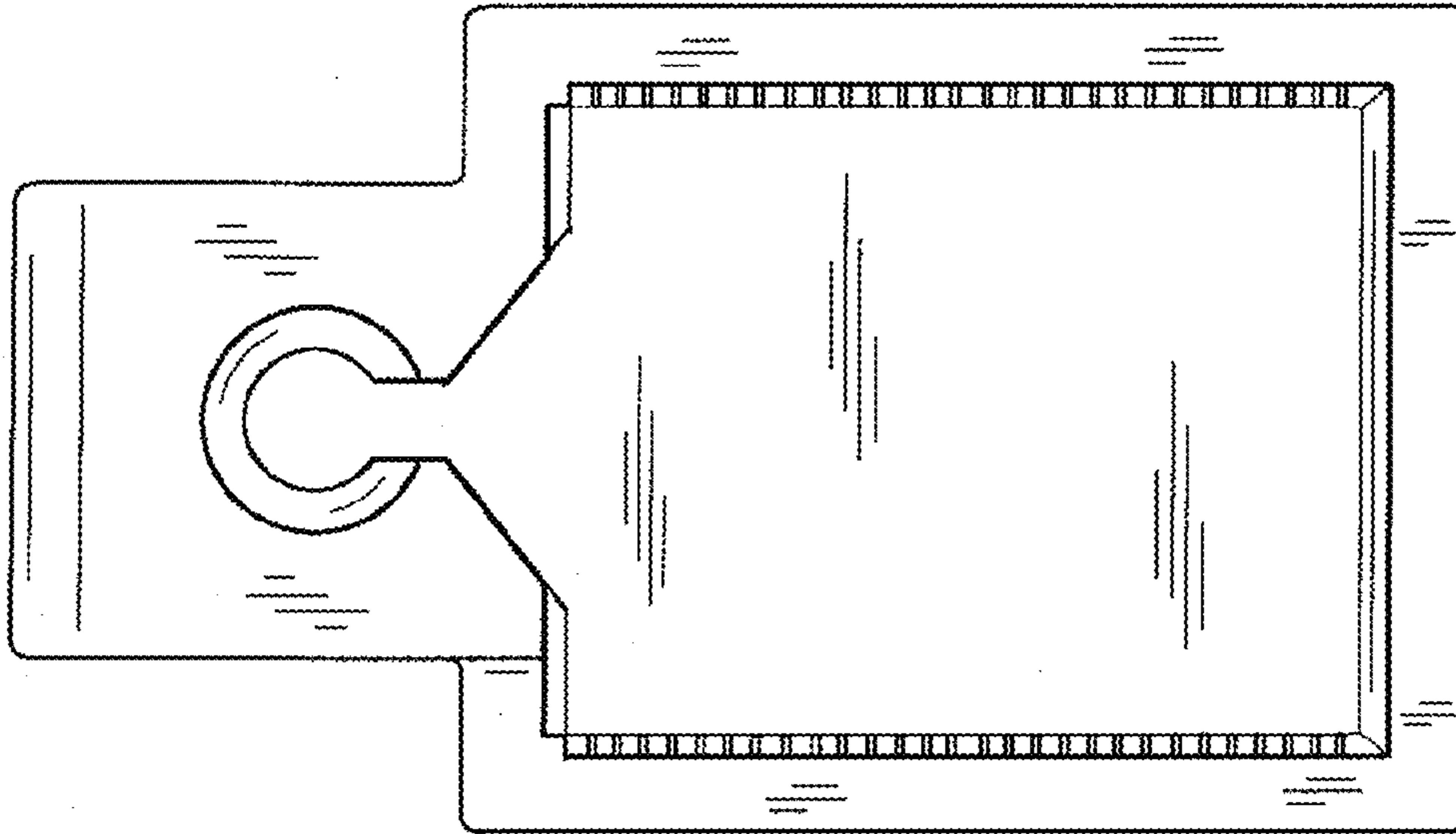


FIG. 7

