



US00D769534S

(12) **United States Design Patent**
Hanna

(10) **Patent No.:** **US D769,534 S**

(45) **Date of Patent:** **** Oct. 18, 2016**

- (54) **GLOW-IN-THE-DARK TOY FIRE HAT**
- (71) Applicant: **Alert-All Corp.**, New Holland, PA (US)
- (72) Inventor: **Chad Hanna**, Kirkland, WA (US)
- (73) Assignee: **Alert-All Corp.**, New Holland, PA (US)
- (**) Term: **15 Years**

D455,539 S *	4/2002	Kates	D2/865
6,401,260 B1	6/2002	Porth		
6,499,145 B1 *	12/2002	Kates	A42B 1/242 2/10
6,609,913 B1	8/2003	Batts		
D711,629 S *	8/2014	Taylor	D2/870
D714,030 S *	9/2014	Smith	D2/870
D749,269 S *	2/2016	Tutor	D29/102
2007/0217184 A1	9/2007	Berry		

* cited by examiner

- (21) Appl. No.: **29/527,097**
- (22) Filed: **May 15, 2015**
- (51) **LOC (10) Cl.** **29-02**
- (52) **U.S. Cl.**
USPC **D29/102; D2/870**
- (58) **Field of Classification Search**
USPC D29/102-107, 122; D21/555;
D2/865-866, 868-870, 891-892, 896
CPC .. A42B 3/044; A42B 3/0446; A42B 3/0466;
A42B 1/004; A42B 1/006
See application file for complete search history.

Primary Examiner — Robert Delehanty
(74) *Attorney, Agent, or Firm* — Cozen O'Connor

(57) **CLAIM**
I claim the ornamental design for a glow-in-the-dark toy fire hat, as shown and described.

DESCRIPTION

FIG. 1 is a top plan view of a glow-in-the-dark toy fire hat embodying the design of the present invention;
 FIG. 2 is a bottom plan view of the glow-in-the-dark toy fire hat of FIG. 1;
 FIG. 3 is a front elevation view of the glow-in-the-dark toy fire hat of FIG. 1;
 FIG. 4 is a right side elevation view of the glow-in-the-dark toy fire hat of FIG. 1;
 FIG. 5 is a left side elevation view of the glow-in-the-dark toy fire hat of FIG. 1;
 FIG. 6 is a rear elevation view of the glow-in-the-dark toy fire hat of FIG. 1;
 FIG. 7 is a left front side perspective view of the glow-in-the-dark toy fire hat of FIG. 1; and,
 FIG. 8 is a left rear side perspective view of the glow-in-the-dark toy fire hat of FIG. 1.

1 Claim, 6 Drawing Sheets

- (56) **References Cited**
U.S. PATENT DOCUMENTS
- | | | | |
|---------------|---------|---------------|-----------------------------|
| 407,209 A | 7/1889 | Hopkins | |
| 1,492,577 A * | 5/1924 | Obermeyer | A42B 3/105
2/172 |
| 1,889,537 A | 11/1932 | Cairns | |
| 3,142,833 A | 7/1964 | Bosley et al. | |
| D260,791 S | 9/1981 | Suda | |
| 4,945,458 A | 7/1990 | Batts et al. | |
| 5,329,637 A * | 7/1994 | Walker | A42B 3/044
2/5 |
| 5,408,393 A * | 4/1995 | Becker | A42B 3/044
362/105 |

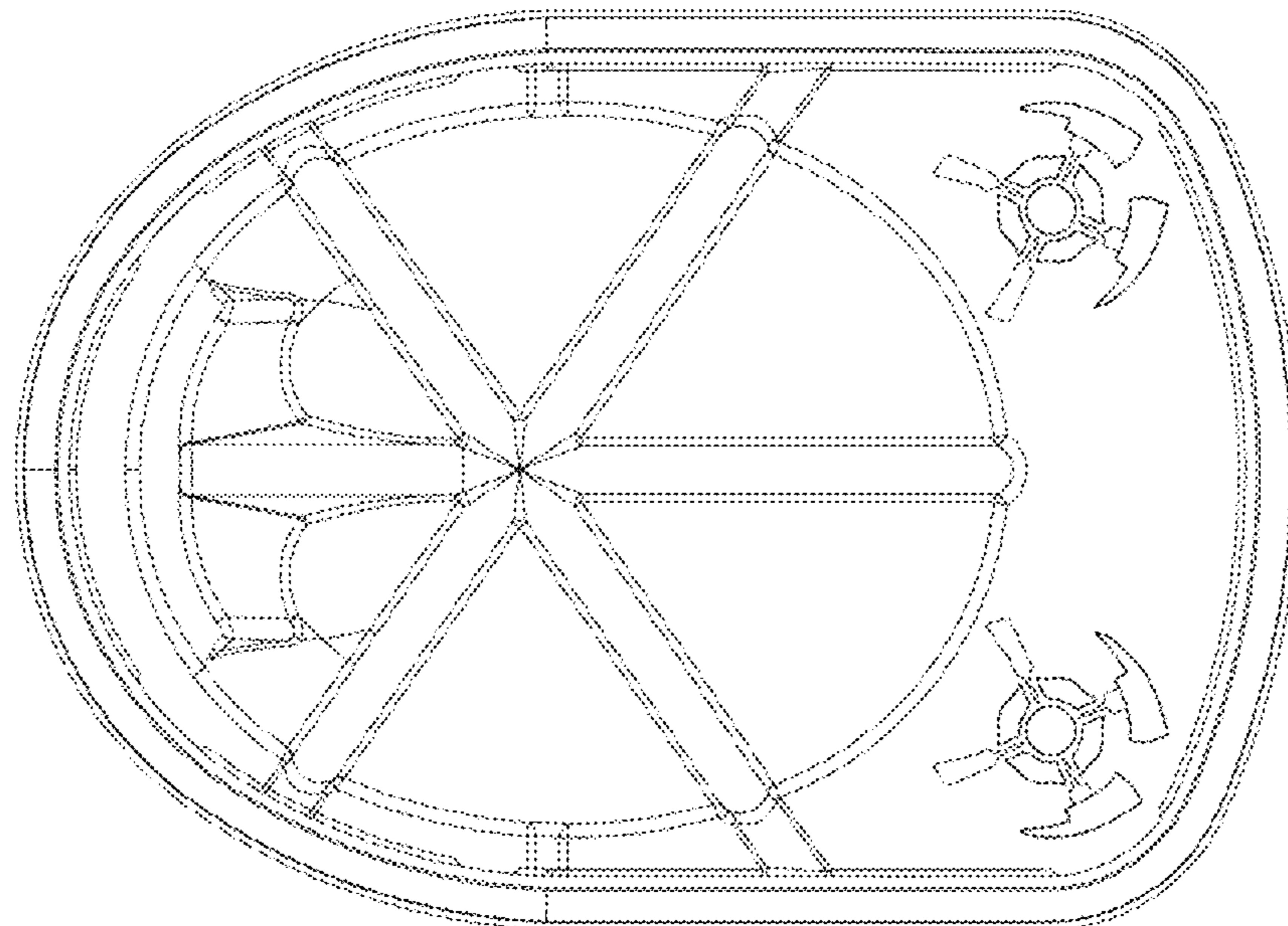


FIG. 1

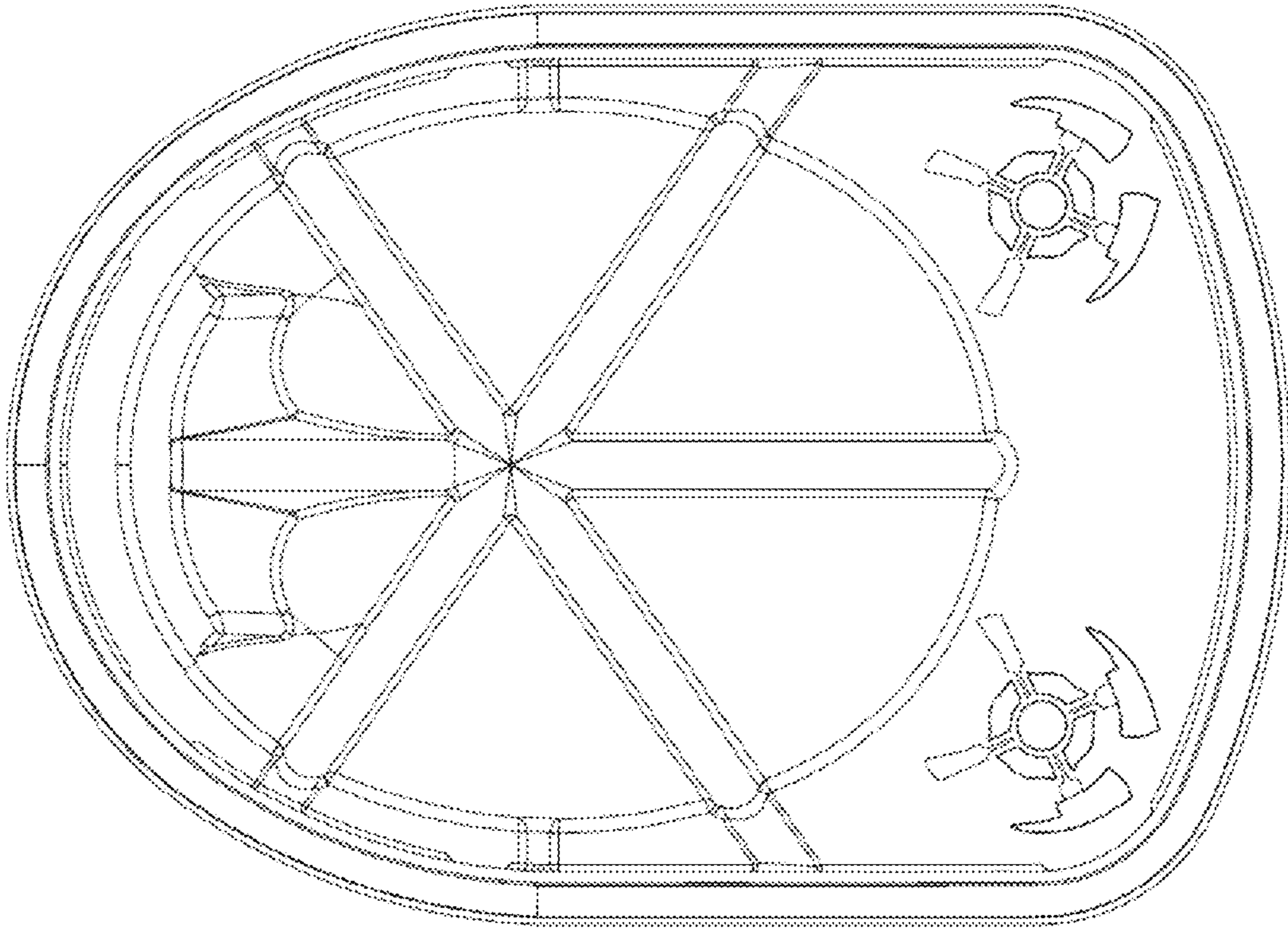


FIG. 2

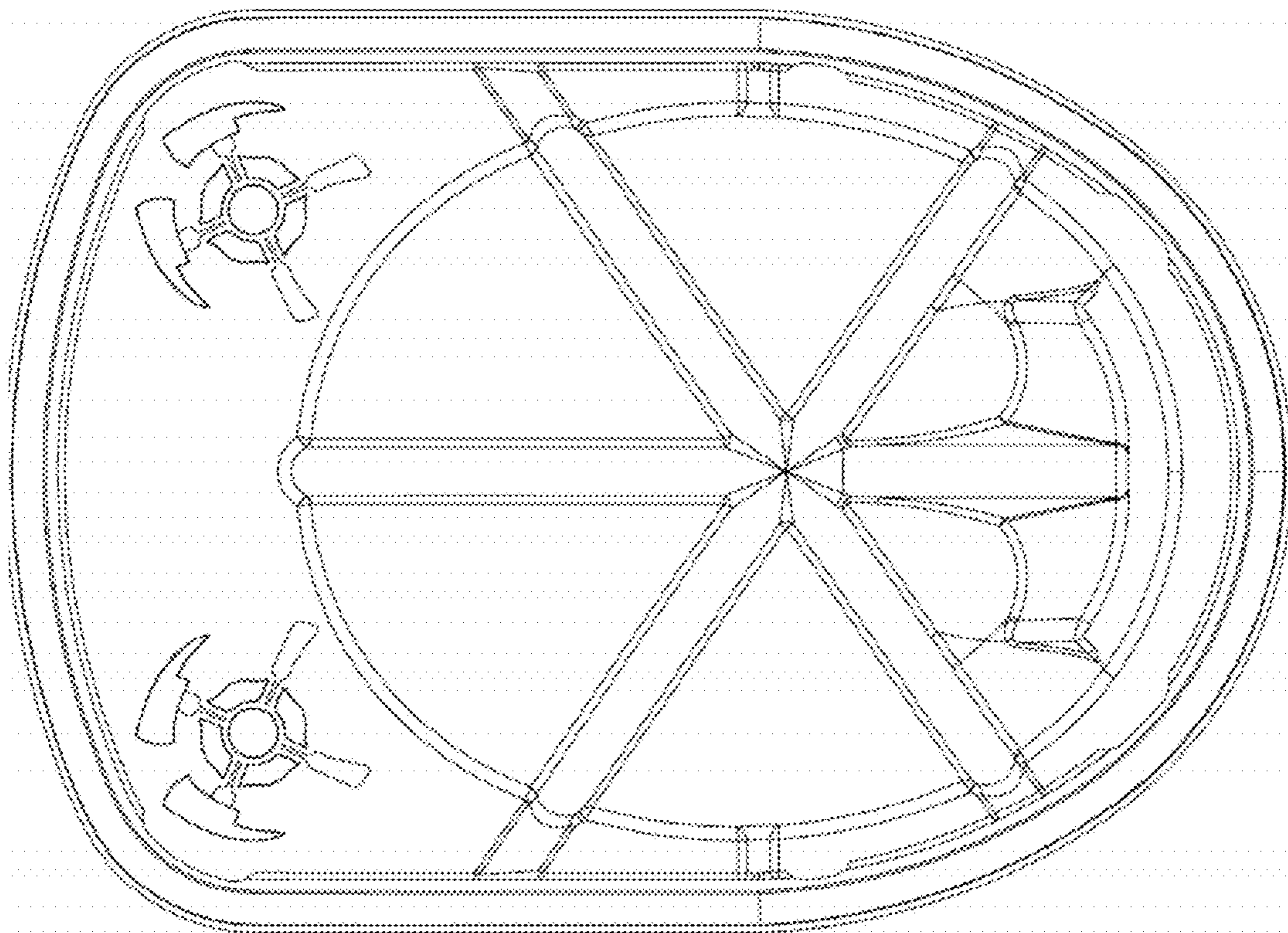


FIG. 3

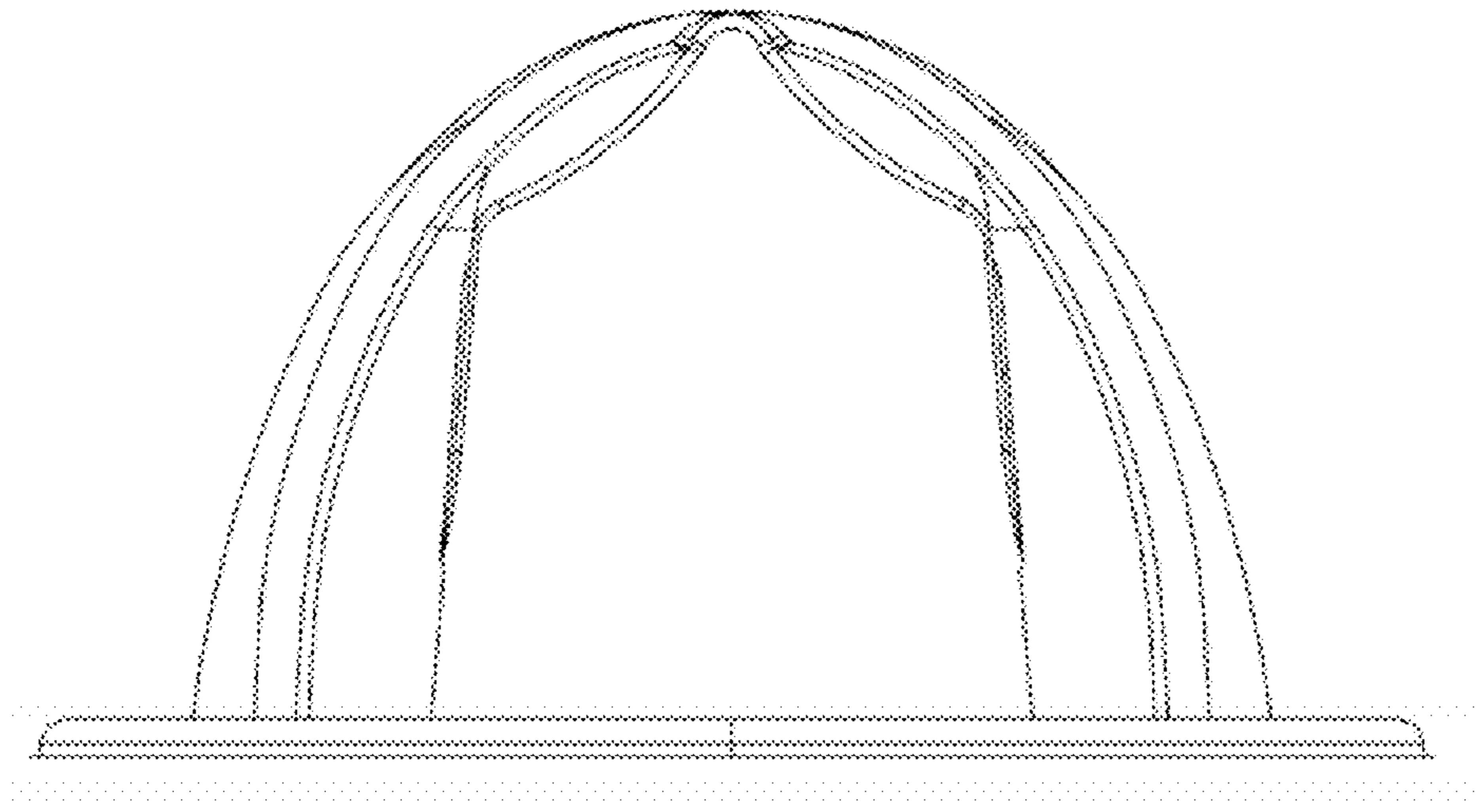


FIG. 4

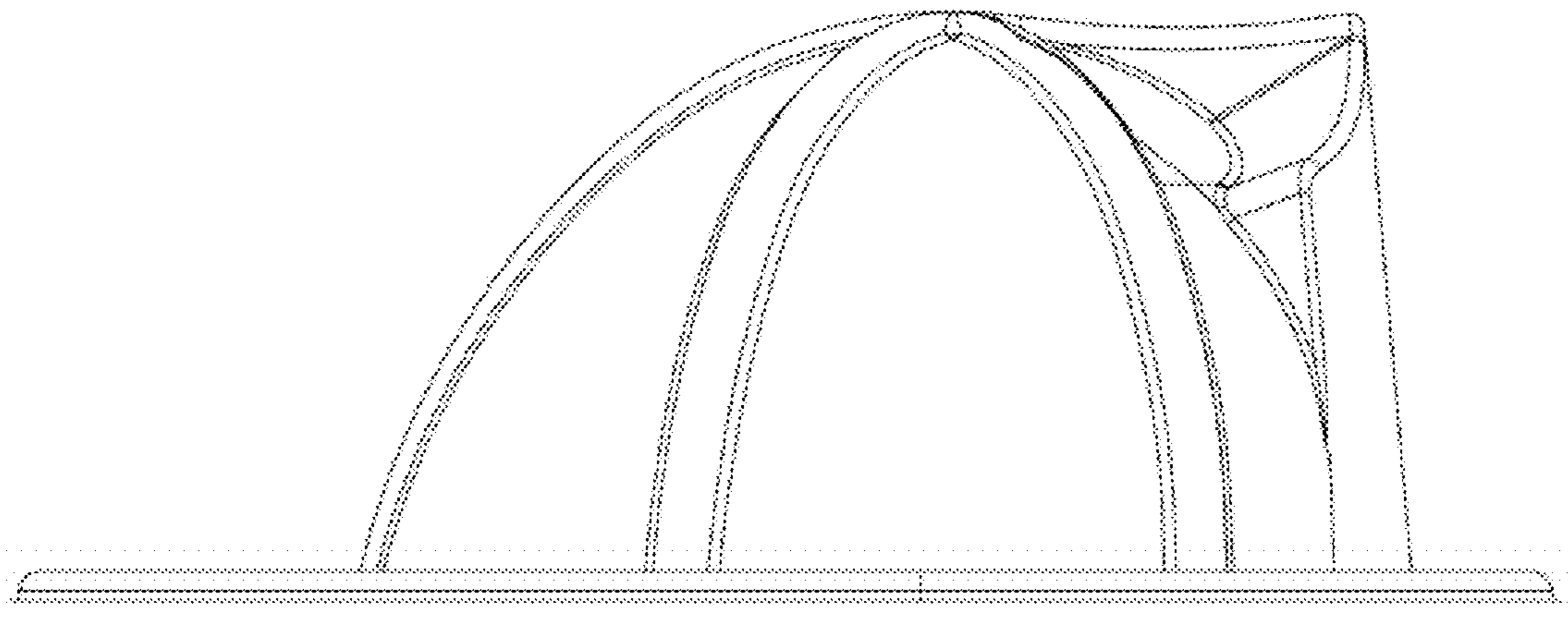


FIG. 5

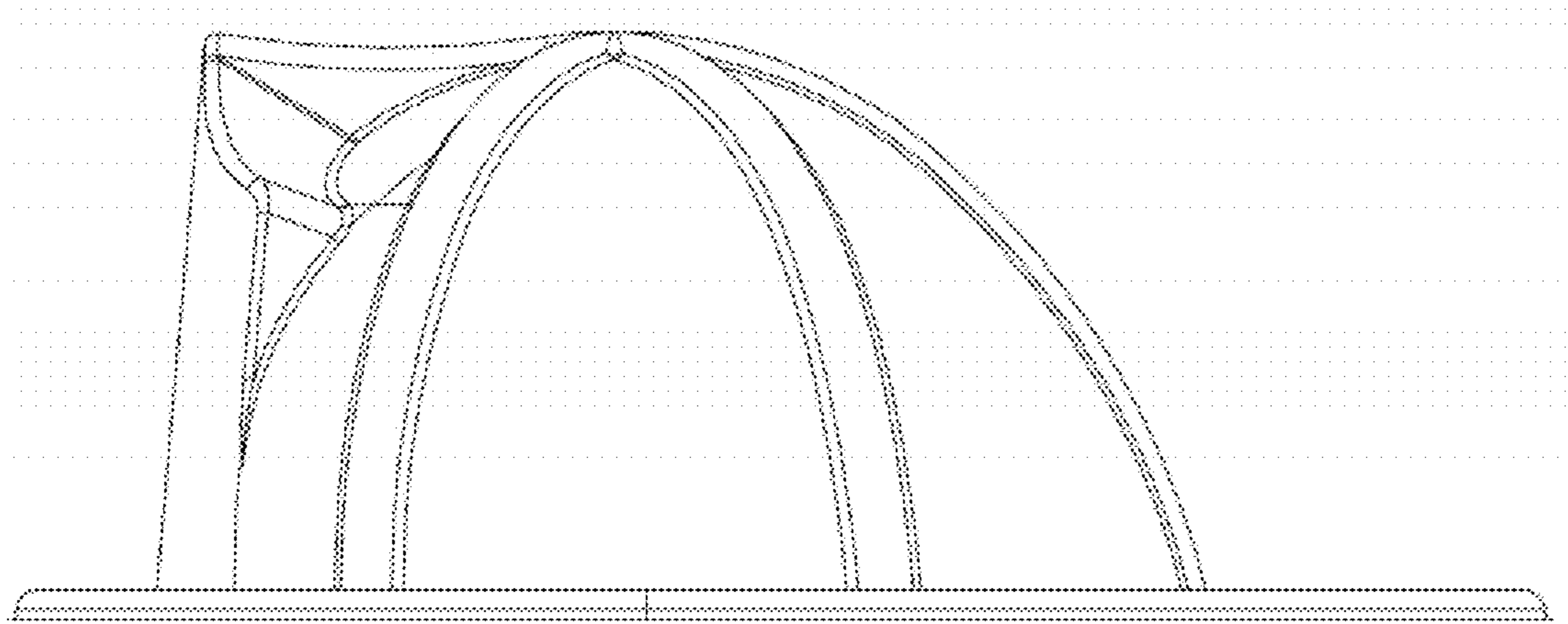


FIG. 6

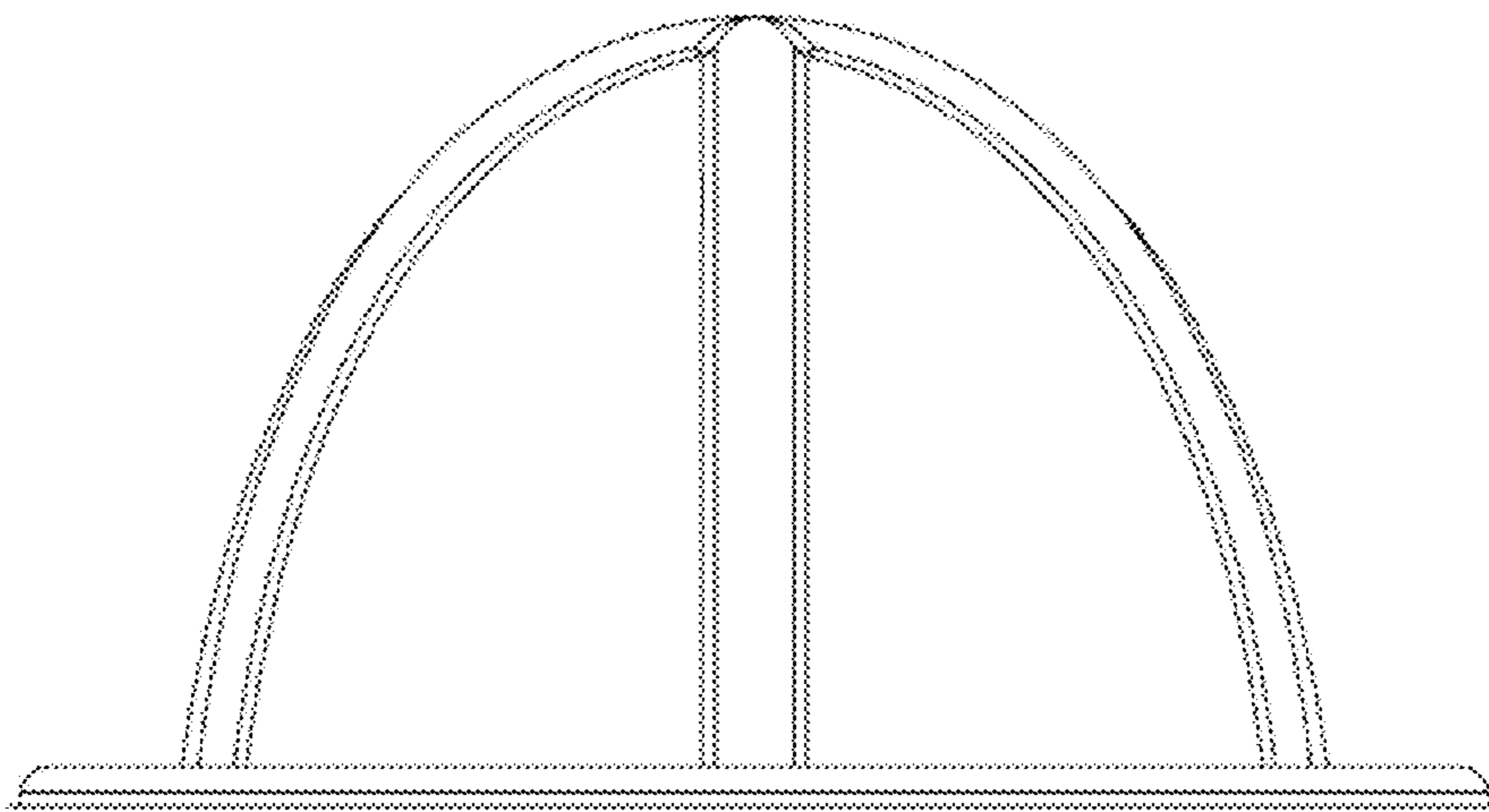


FIG. 7

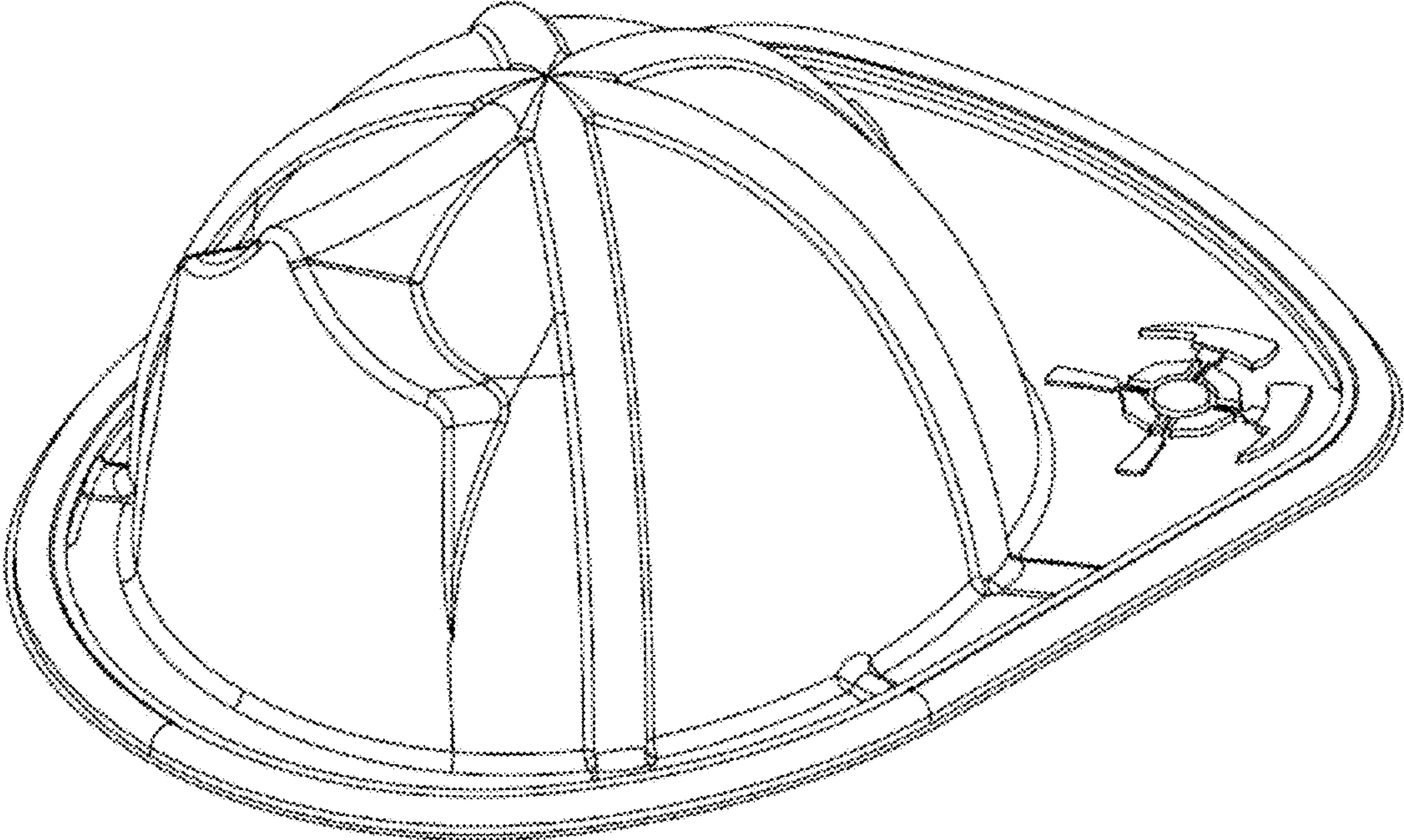


FIG. 8

