



US00D769532S

(12) **United States Design Patent** (10) **Patent No.:** **US D769,532 S**
Fisher et al. (45) **Date of Patent:** **** Oct. 18, 2016**

(54) **PORTION OF A DENTAL FLOSS DEVICE**

2004/0040572 A1* 3/2004 Chodorow 132/323
 2009/0188522 A1* 7/2009 Rau 132/323
 2014/0130824 A1* 5/2014 Fisher et al. 132/323

(71) Applicant: **Ranir, LLC**, Grand Rapids, MI (US)

(72) Inventors: **Jeffrey J. Fisher**, Ada, MI (US); **Scott P. Crossman**, Rockford, MI (US);
Kevin J. Kollar, Ada, MI (US); **Chad E. Kleinheksel**, Zeeland, MI (US)

(73) Assignee: **Ranir, LLC**, Grand Rapids, MI (US)

(**) Term: **14 Years**

(21) Appl. No.: **29/476,504**

(22) Filed: **Dec. 13, 2013**

Related U.S. Application Data

(63) Continuation of application No. 14/003,292, filed on Jan. 17, 2014.

(51) **LOC (10) Cl.** **28-03**

(52) **U.S. Cl.**
USPC **D28/66**

(58) **Field of Classification Search**

USPC D28/65-68; D24/152; 433/141,
433/146-147; 132/322-329

CPC A61C 15/04
See application file for complete search history.

(56) **References Cited**

U.S. PATENT DOCUMENTS

2,067,692 A 1/1937 Cammack
 4,332,559 A * 6/1982 Dolinsky 433/91
 4,522,216 A 6/1985 Bunker
 4,807,651 A 2/1989 Naydich
 5,692,531 A 12/1997 Chodorow
 D401,701 S * 11/1998 Chodorow D28/66
 D489,490 S * 5/2004 Chodorow D28/68
 7,174,904 B2 * 2/2007 Ochs et al. 132/323
 8,069,865 B1 * 12/2011 Winter 132/323
 8,522,798 B2 * 9/2013 Kollar 132/323

FOREIGN PATENT DOCUMENTS

DE 2923057 12/1980
 DE 3516544 2/1986
 DE 9110441 12/1991
 FR 2782261 2/2000
 JP 5023359 2/1993
 WO 2007139112 12/2007

OTHER PUBLICATIONS

International Search Report and Written Opinion for International Application No. PCT/US2011/027529, dated Dec. 12, 2011.
 English Abstract of Japanese Patent 5023359, Feb. 2, 1993, to Matsushita Electric Works Ltd.

* cited by examiner

Primary Examiner — Zenia Bennett

(74) *Attorney, Agent, or Firm* — Warner Norcross & Judd LLP

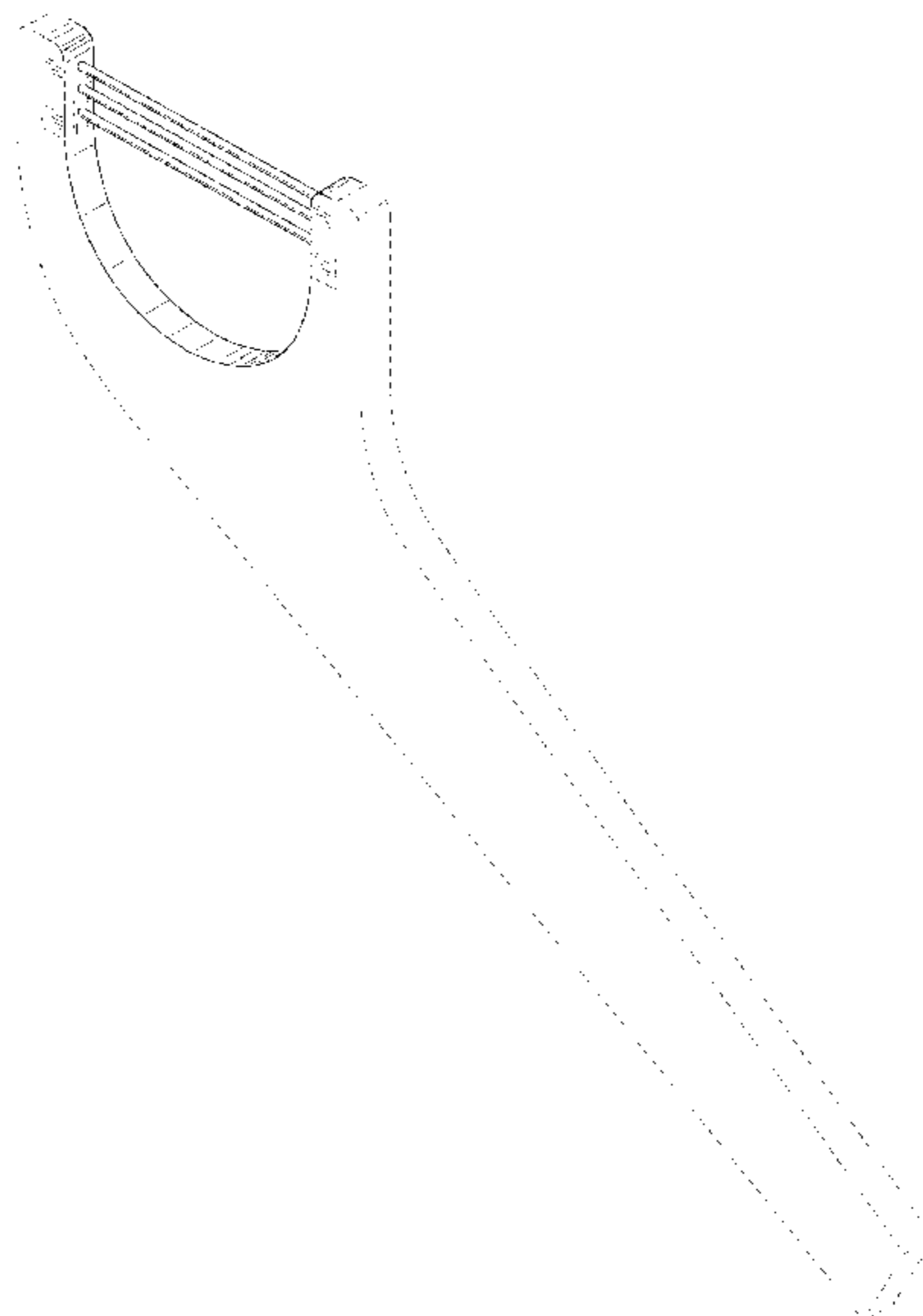
(57) **CLAIM**

The ornamental design for a portion of a dental floss device, as shown and described.

DESCRIPTION

FIG. 1 is a perspective view of the portion of the dental floss device embodying the new design;
 FIG. 2 is a front view thereof; and,
 FIG. 3 is a right side view thereof.
 FIGS. 1-3 show portions of the design in broken lines. The portions shown in broken lines form no part of the claimed design.

1 Claim, 2 Drawing Sheets



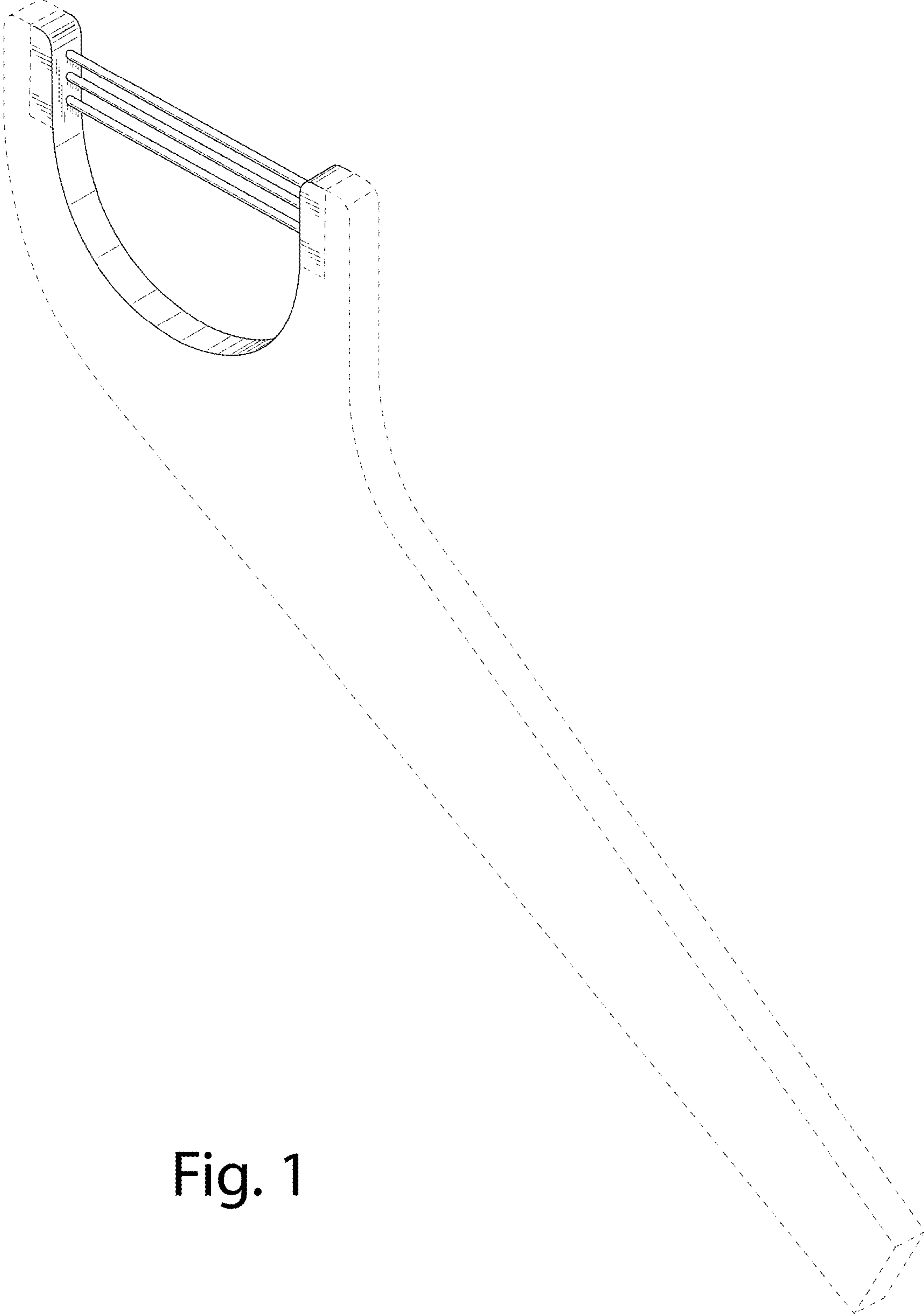


Fig. 1

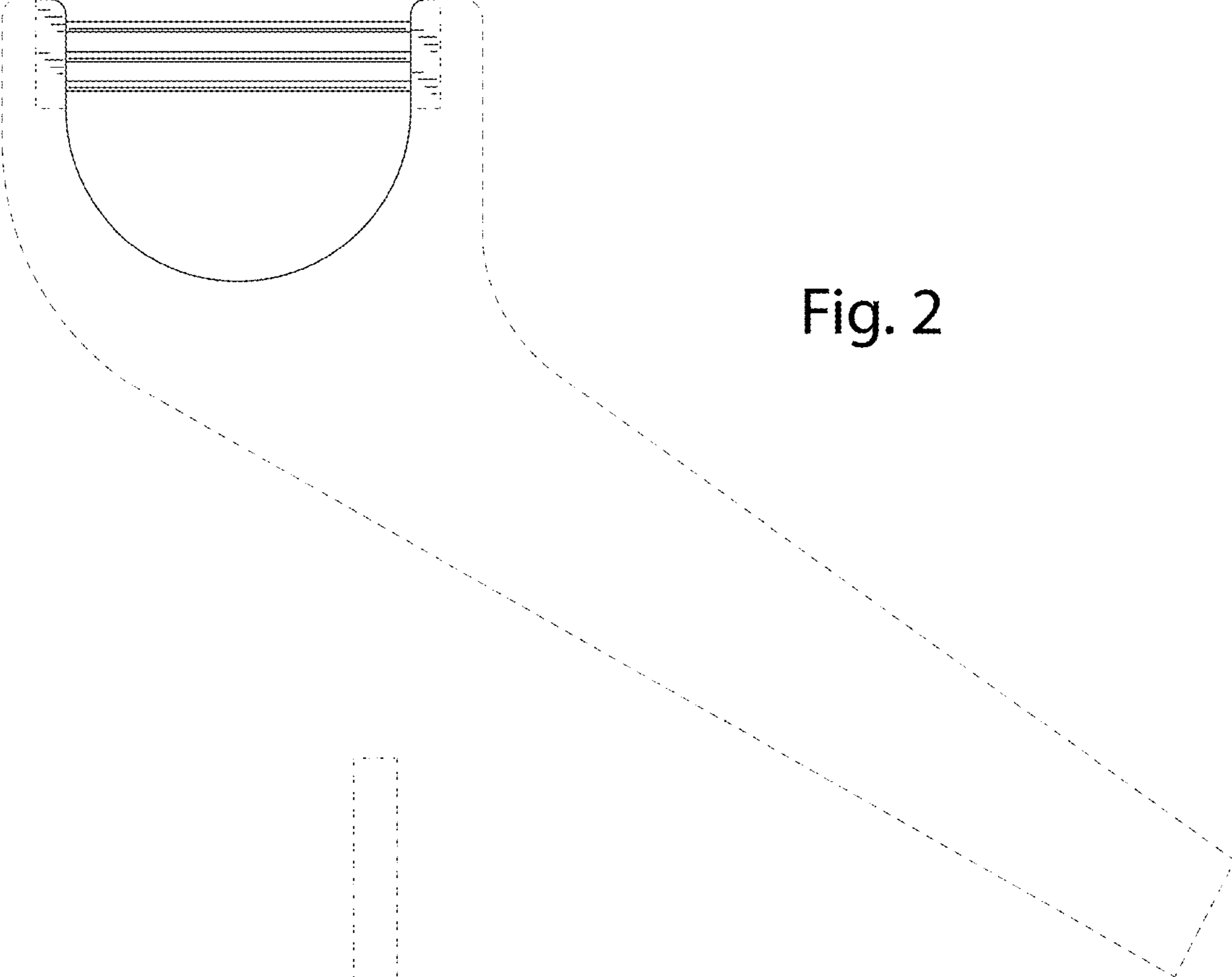


Fig. 2



Fig. 3