



US00D769531S

(12) **United States Design Patent**  
**Huang**

(10) **Patent No.:** **US D769,531 S**

(45) **Date of Patent:** **\*\* Oct. 18, 2016**

(54) **BATH BRUSH HANDLE**

(71) Applicant: **Chu-Chau Huang**, New Taipei (TW)

(72) Inventor: **Chu-Chau Huang**, New Taipei (TW)

(\*\*) Term: **15 Years**

(21) Appl. No.: **29/532,860**

(22) Filed: **Jul. 10, 2015**

(51) **LOC (10) Cl.** ..... **28-03**

(52) **U.S. Cl.**  
USPC ..... **D28/63**

(58) **Field of Classification Search**  
USPC ..... D28/63, 64.1, 64.3, 64.4, 64.6; D4/116;  
D21/401, 402; 446/15, 16, 17, 19, 20;  
15/21.1, 22.1, 38, 105, 106, 120.2,  
15/143.1, 110  
CPC B08B 1/04; A46B 2200/1066; A46B 17/06;  
A46B 15/0002; A46B 5/02; A47L 13/142;  
A63H 33/28

See application file for complete search history.

(56) **References Cited**

U.S. PATENT DOCUMENTS

D299,558 S *	1/1989	Robison	.....	D28/63
D323,568 S *	1/1992	Hackler	.....	401/140
D343,924 S *	2/1994	Kaplan	.....	D28/63
D388,546 S *	12/1997	McEntee	.....	D28/63
D452,046 S *	12/2001	Borcherds	.....	D28/63
D465,613 S *	11/2002	Pierce	.....	D28/63
D480,177 S *	9/2003	Isono	.....	D28/63
D484,276 S *	12/2003	Pierce	.....	D28/63
7,174,595 B2 *	2/2007	Chen	.....	A47K 7/028 15/110
D572,771 S *	7/2008	Styles	.....	D21/402

D589,094 S *	3/2009	Thai	.....	D21/402
D637,818 S *	5/2011	Mercier	.....	D4/136
D682,473 S *	5/2013	Maier	.....	D28/64.3
D726,375 S *	4/2015	Huang	.....	D28/63
D753,403 S *	4/2016	Zemel	.....	D4/127
2007/0241197 A1 *	10/2007	Lindhahl	.....	G06K 19/00 235/487

\* cited by examiner

*Primary Examiner* — John Windmuller

*Assistant Examiner* — Steven Czyz

(74) *Attorney, Agent, or Firm* — Li & Cai Intellectual Property (USA) Office

(57) **CLAIM**

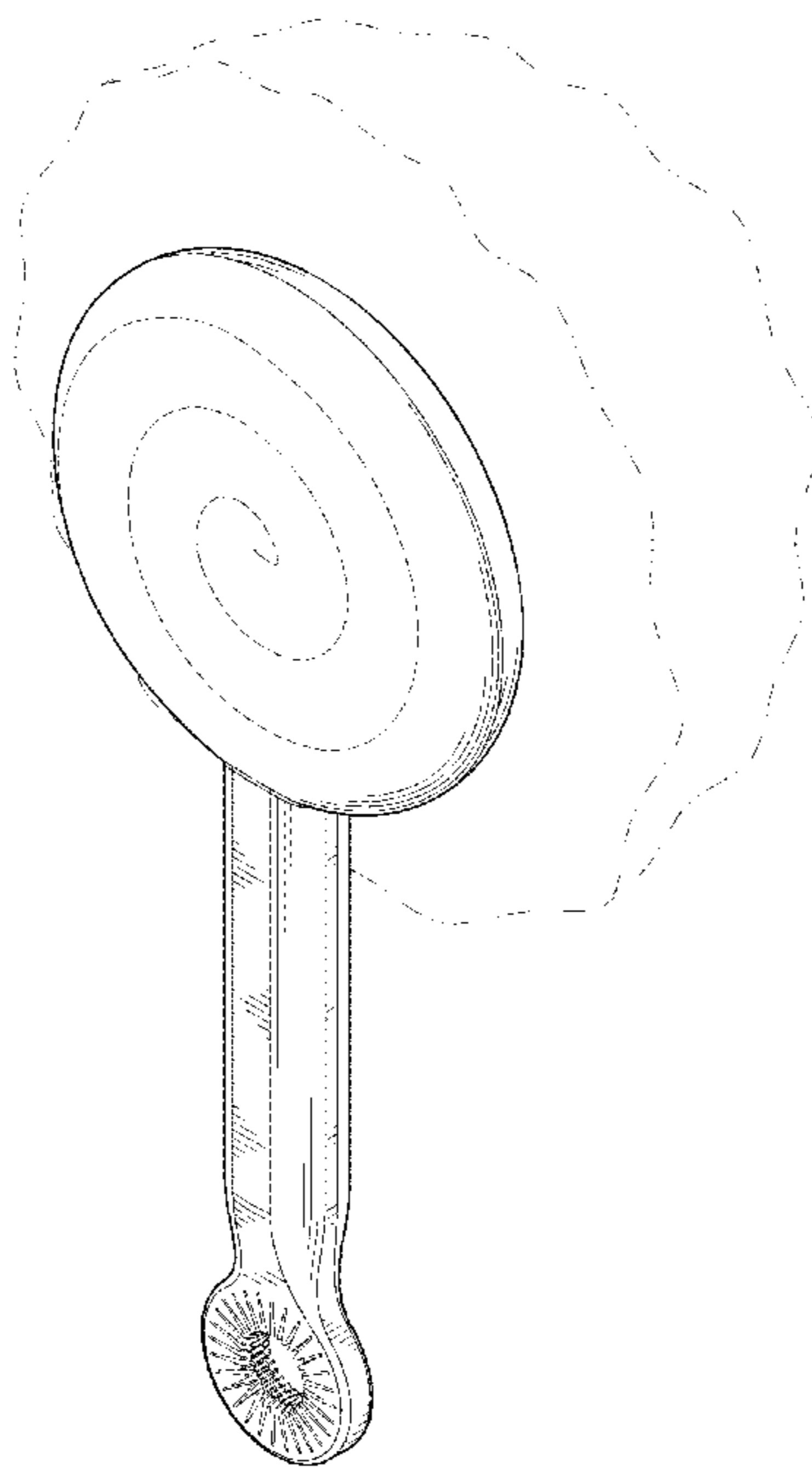
The ornamental design for a “bath brush handle,” as shown and described.

**DESCRIPTION**

FIG. 1 is a front perspective view of a bath brush handle showing our new design;  
FIG. 2 is a front view thereof;  
FIG. 3 is a rear view thereof;  
FIG. 4 is a left side view thereof;  
FIG. 5 is a right side view thereof;  
FIG. 6 is a top view thereof;  
FIG. 7 is a bottom view thereof;  
FIG. 8 is a rear perspective view thereof; and,  
FIG. 9 is another front perspective view shown in use with environment.

The broken lines depict portions of the article and environment that form no part of the claimed design.

**1 Claim, 8 Drawing Sheets**



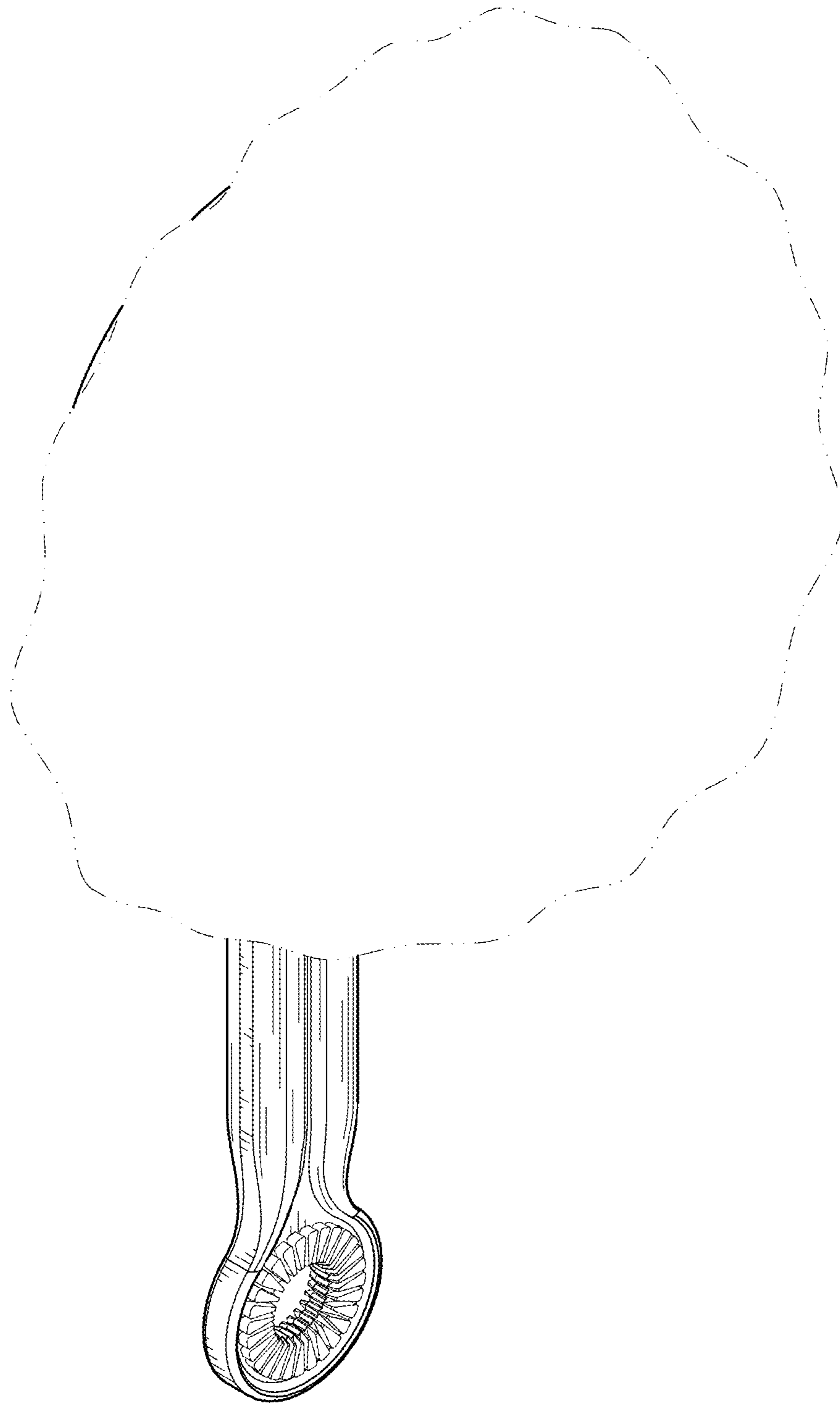


FIG. 1

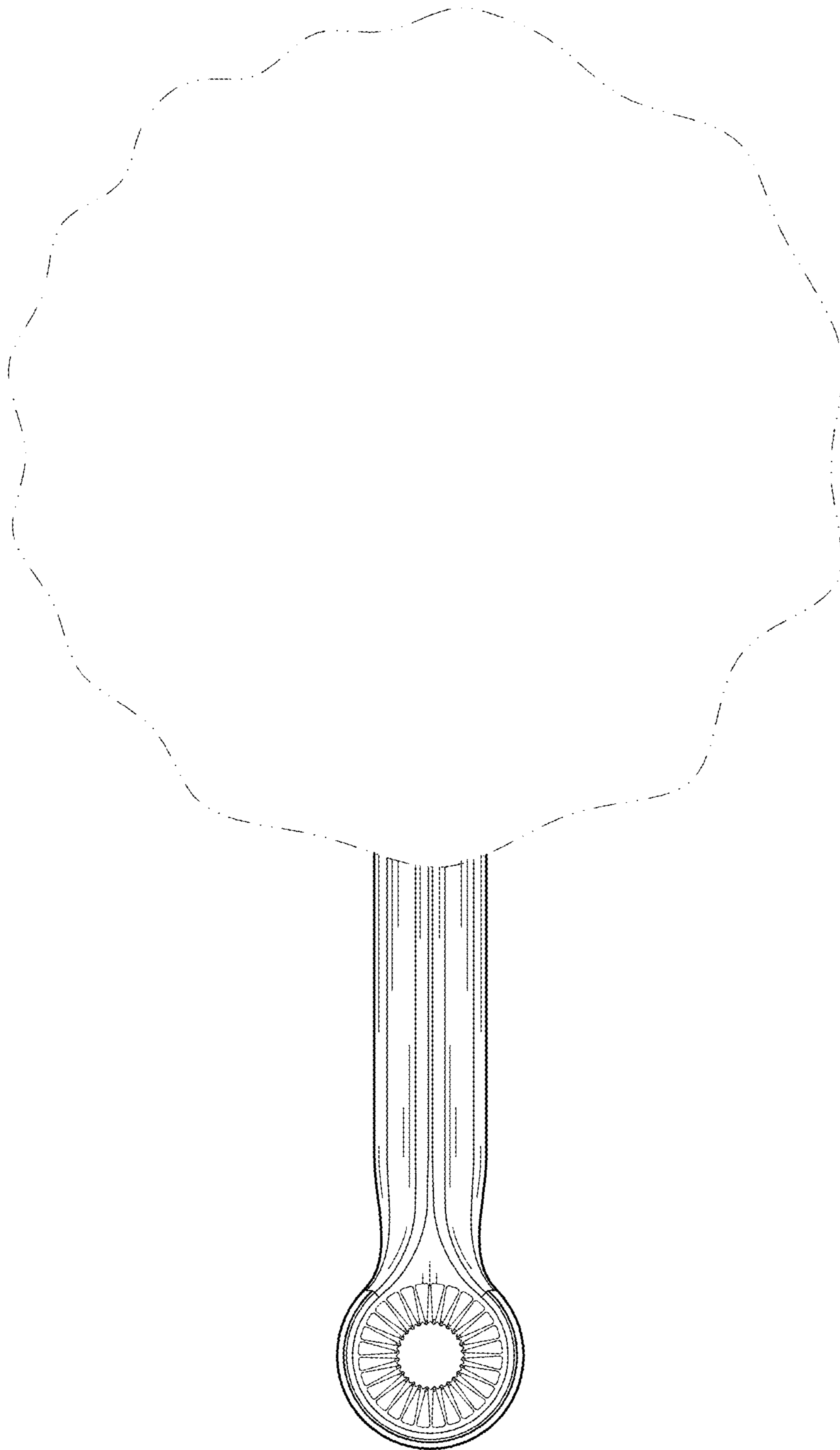


FIG.2

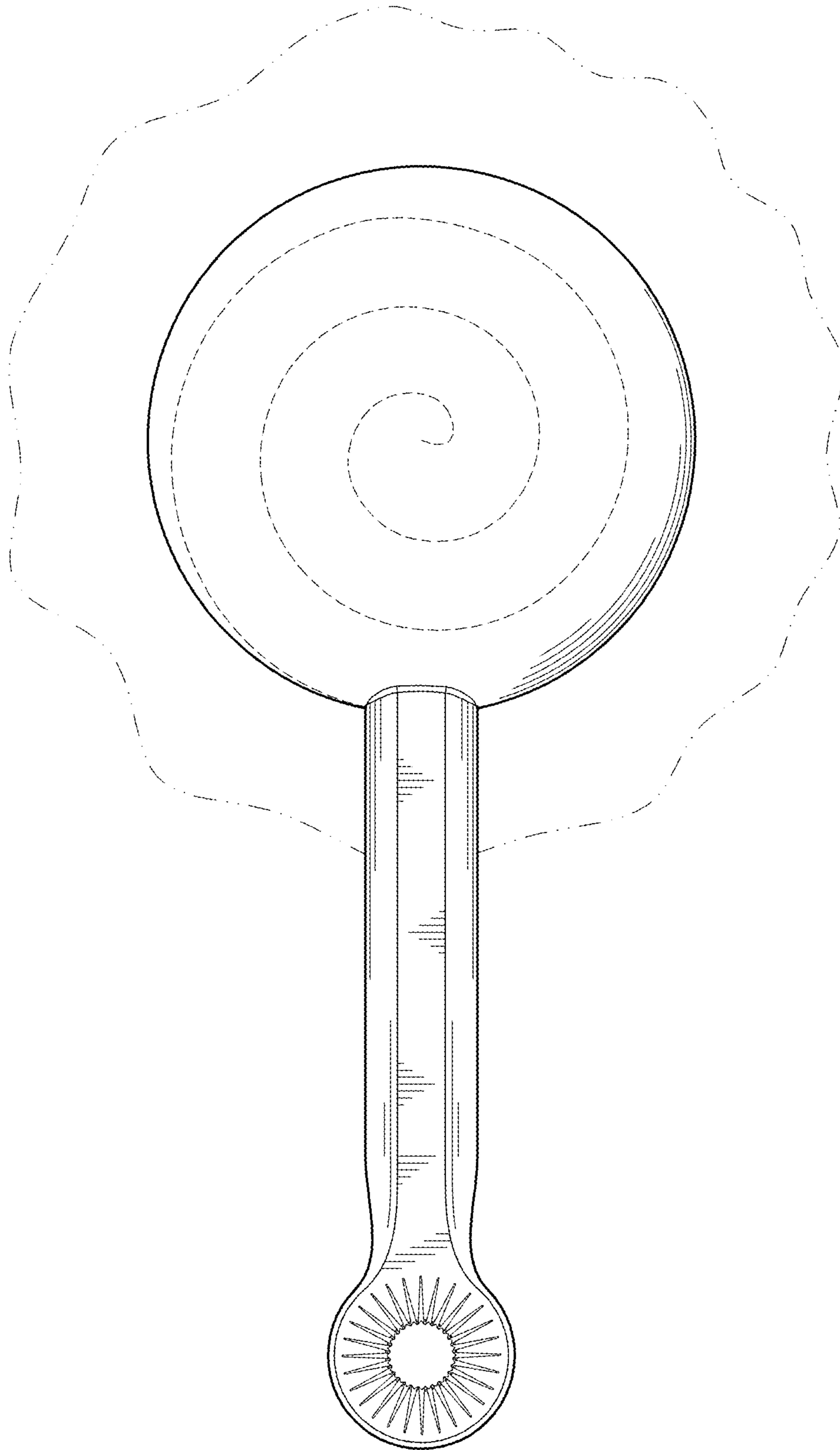


FIG.3

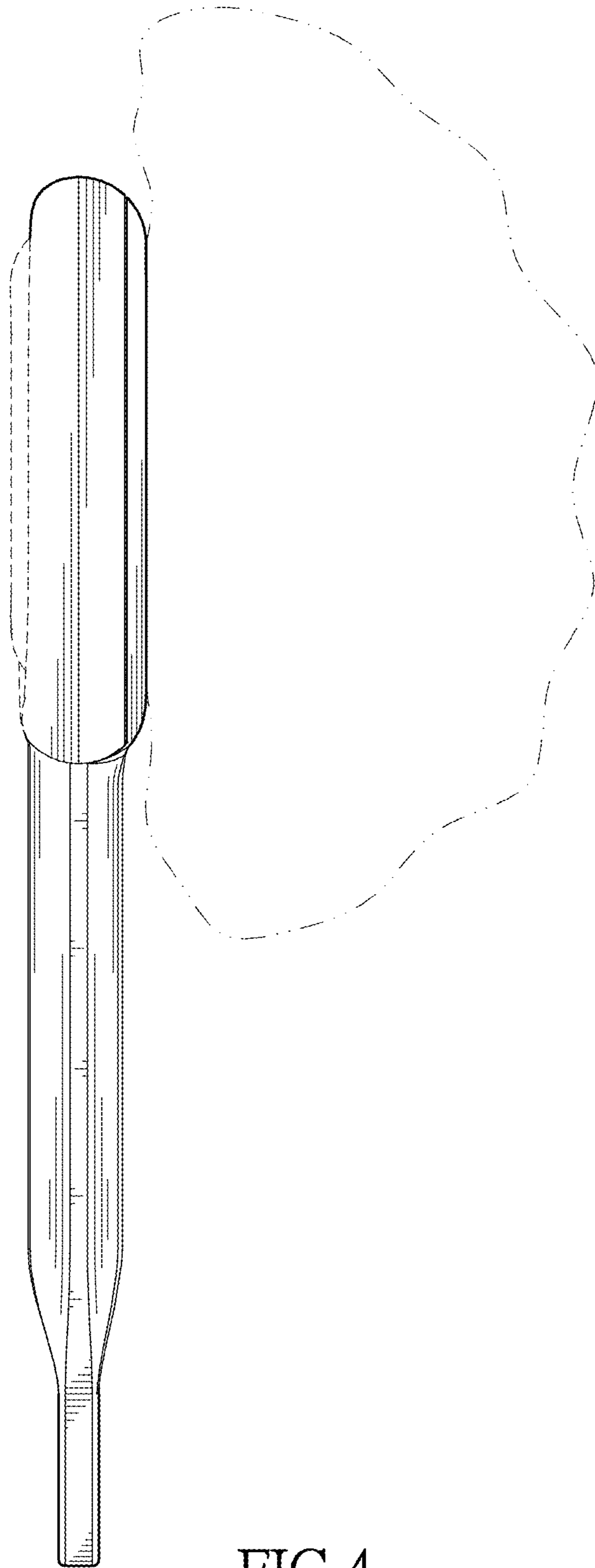


FIG.4

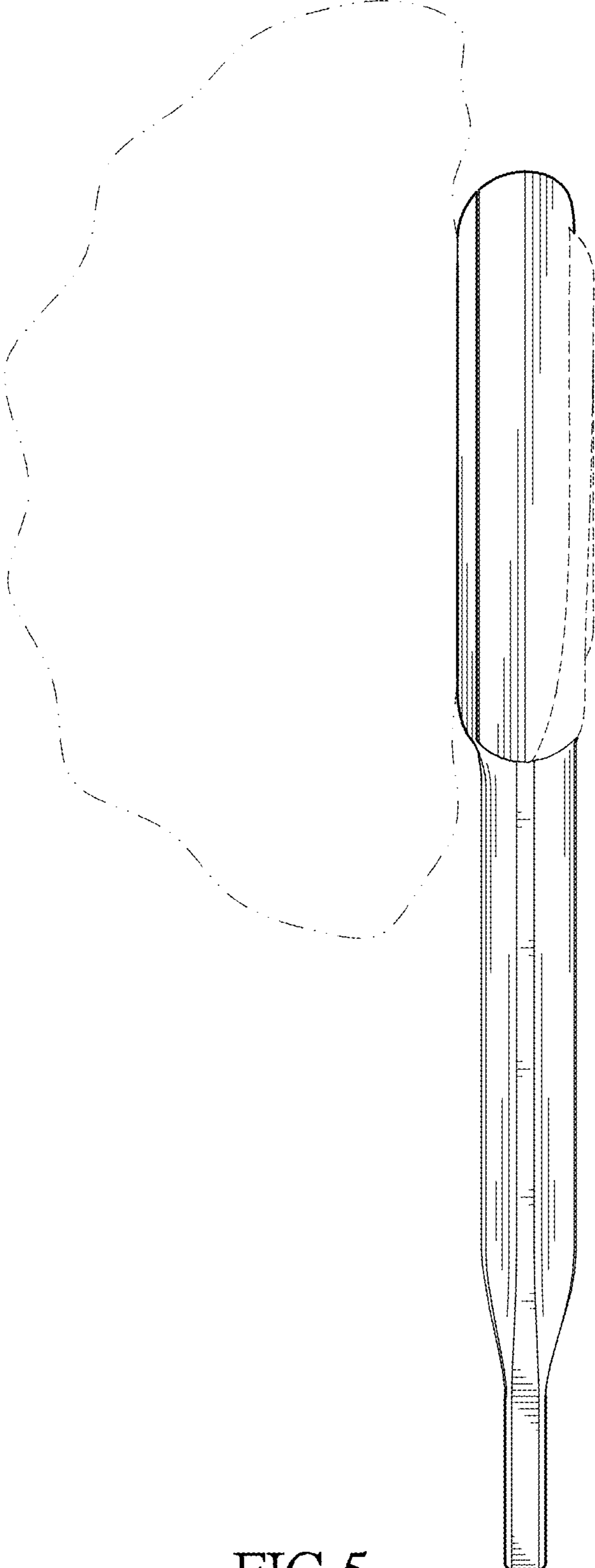


FIG.5

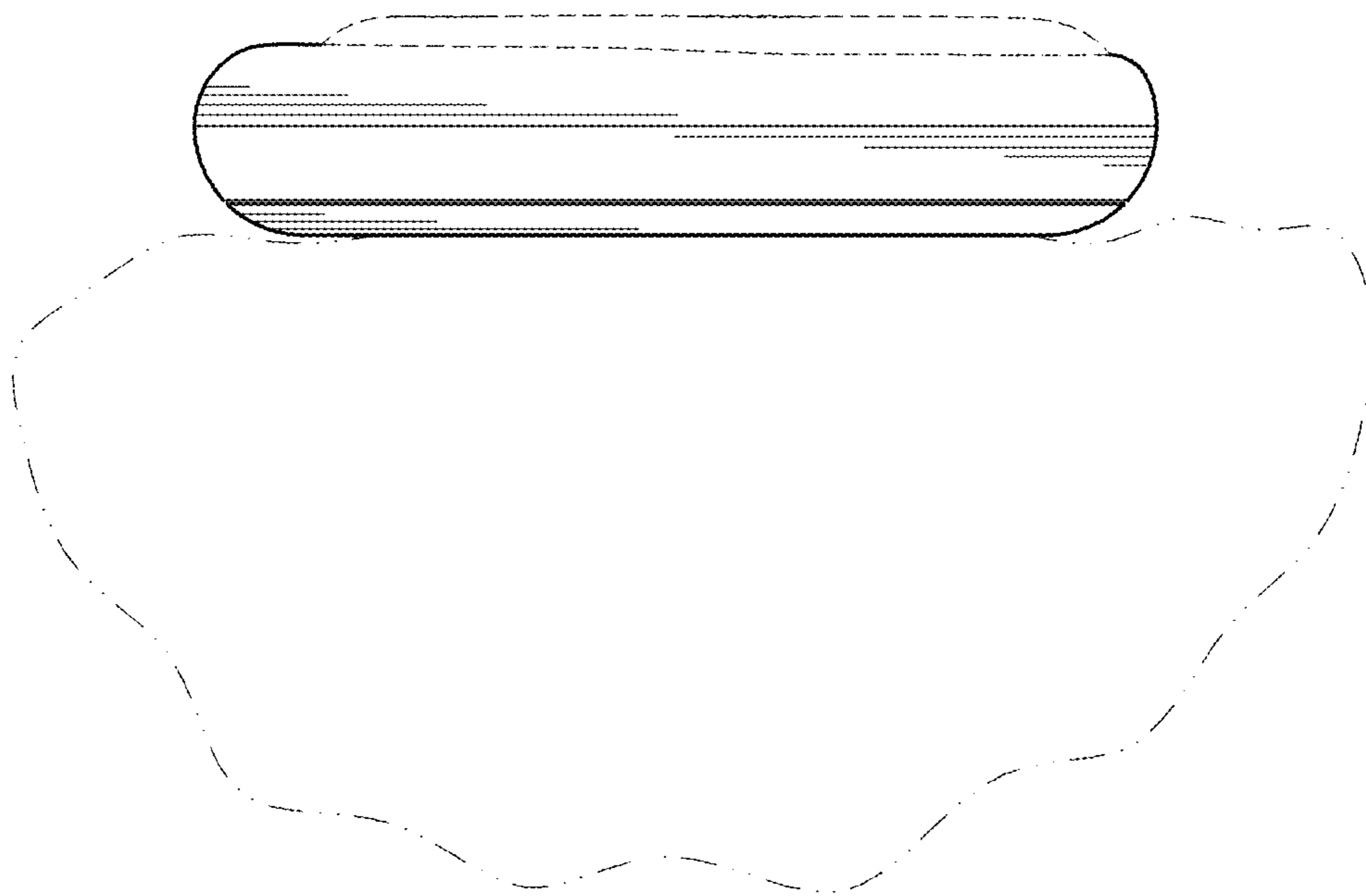


FIG. 6

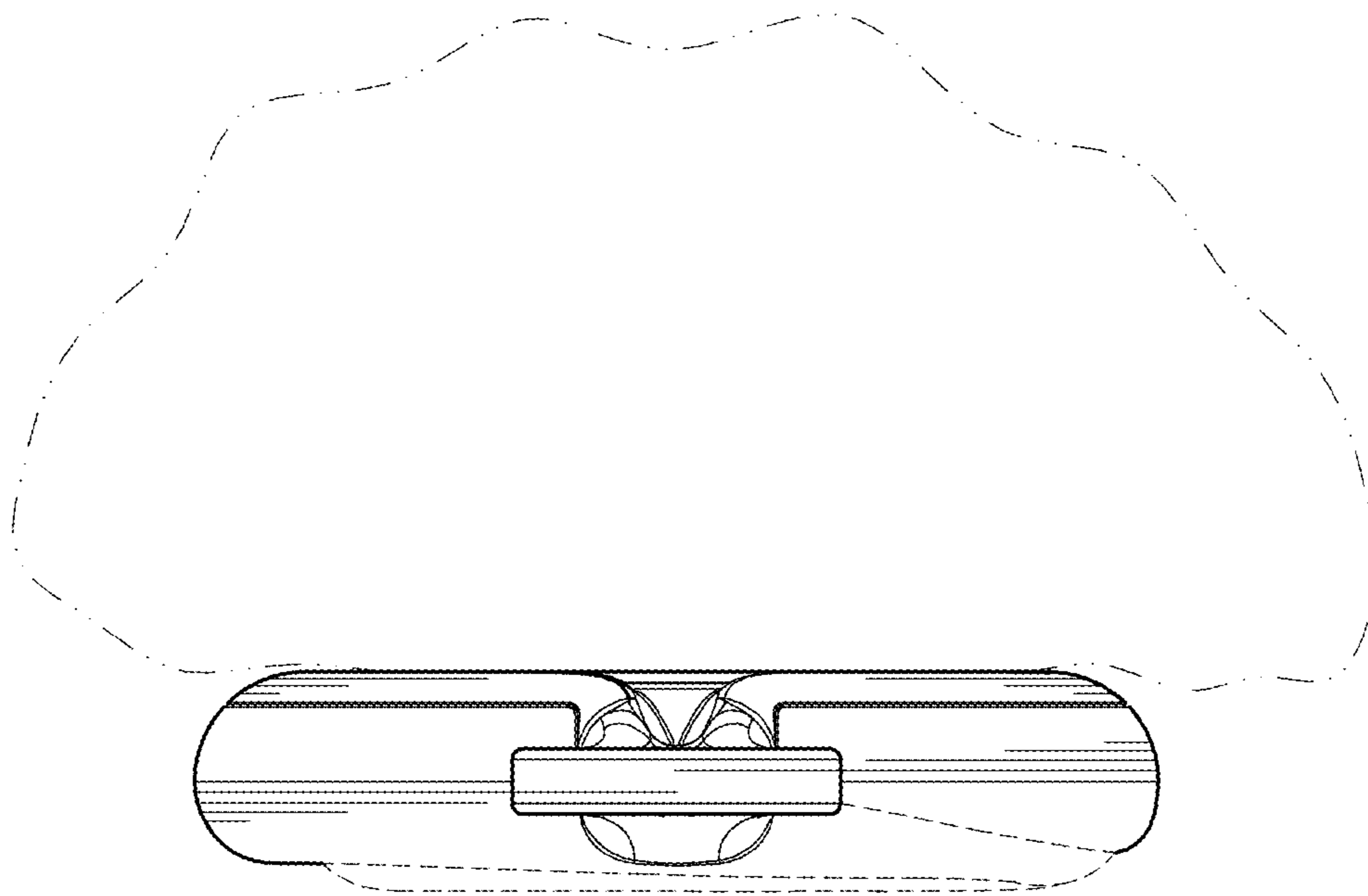


FIG. 7

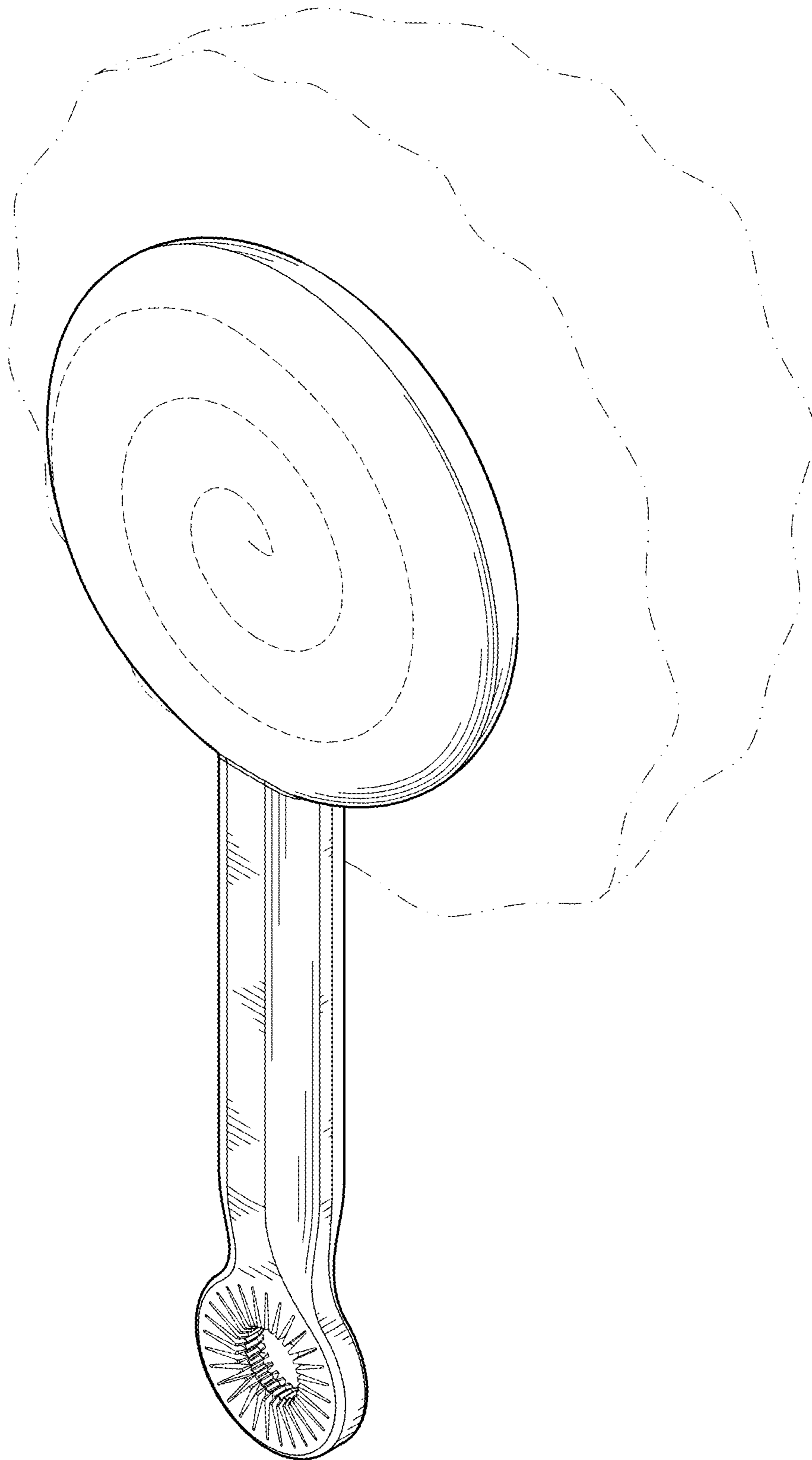


FIG.8



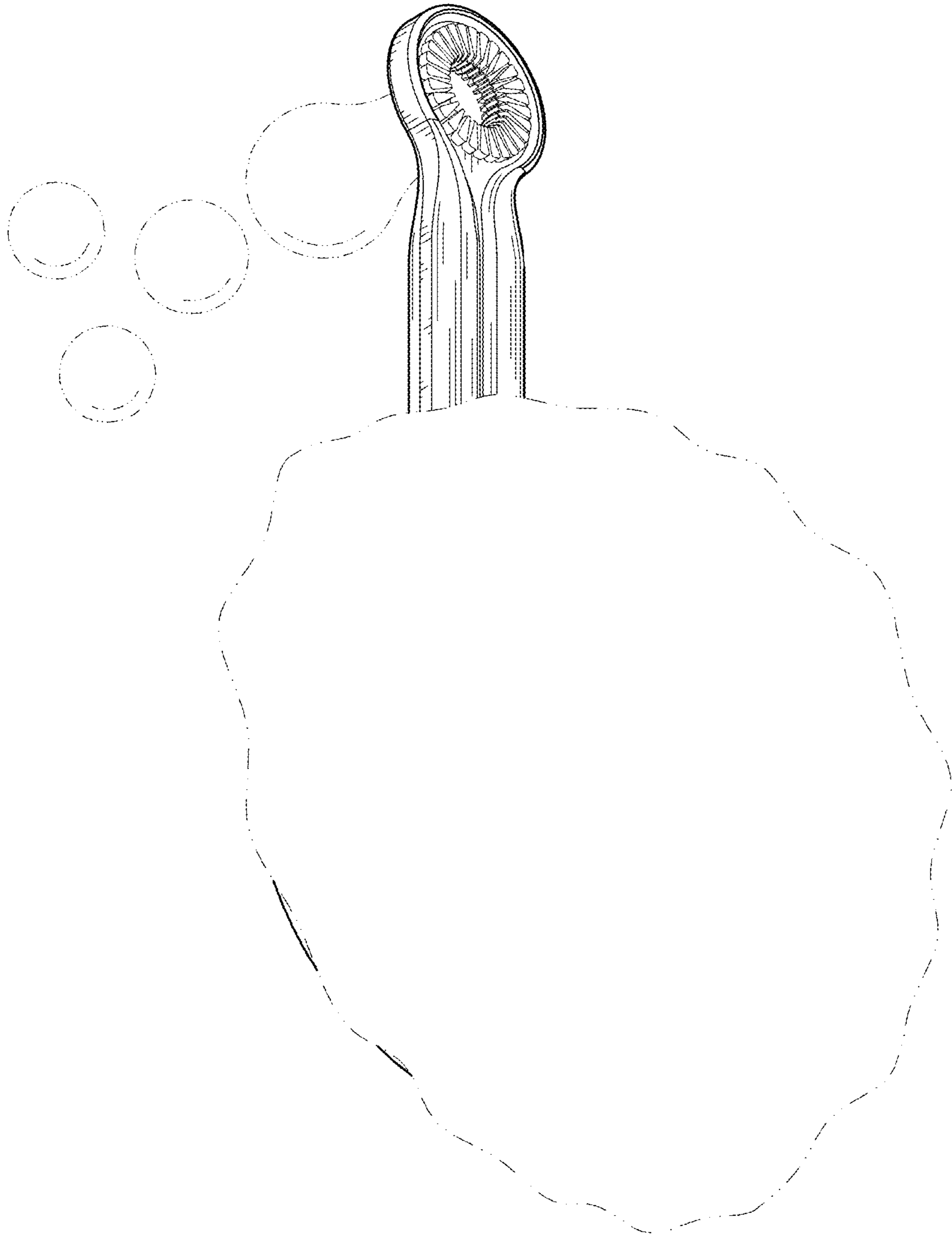


FIG.9